



US00D733370S

(12) **United States Design Patent**
Roberson

(10) **Patent No.:** **US D733,370 S**
(45) **Date of Patent:** **** Jun. 30, 2015**

(54) **DISHWASHER AND/OR COMPONENT(S)
THEREOF**

(71) Applicant: **BSH Home Appliances Corporation**,
Irvine, CA (US)

(72) Inventor: **Lindsay Roberson**, Durham, NC (US)

(73) Assignee: **BSH Home Appliances Corporation**,
Irvine, CA (US)

(**) Term: **14 Years**

(21) Appl. No.: **29/483,145**

(22) Filed: **Feb. 26, 2014**

Related U.S. Application Data

(62) Division of application No. 29/470,193, filed on Oct. 18, 2013, now Pat. No. Des. 708,406, which is a division of application No. 29/459,096, filed on Jun. 26, 2013, now Pat. No. Des. 699,904, which is a

(51) **LOC (10) Cl.** (Continued) **15-05**

(52) **U.S. Cl.**
USPC **D32/3**

(58) **Field of Classification Search**
USPC D32/1-3, 25, 28; D7/340, 348-350,
D7/405; 312/31, 109, 228; 134/56 D, 57 D,
134/58 D, 58 DL, 201

See application file for complete search history.

(56) **References Cited**

U.S. PATENT DOCUMENTS

D424,257 S * 5/2000 Umeda et al. D32/2
6,893,061 B2 * 5/2005 Miller et al. 292/303

(Continued)

Primary Examiner — Robert Delehanty

(74) *Attorney, Agent, or Firm* — James E. Howard; Andre Pallabies

(57) **CLAIM**

The ornamental design for a dishwasher and/or component(s) thereof, as shown and described.

DESCRIPTION

FIG. 1 is a front perspective view, from the top, of a dishwasher door control panel, handle, fascia and strip according to a first embodiment showing our new ornamental design;

FIG. 2 is a front view thereof;

FIG. 3 is a top view thereof;

FIG. 4 is a left side view thereof, with the right hand side view thereof being a mirror image thereof;

FIG. 5 is another perspective view thereof;

FIG. 6 is yet another perspective view thereof;

FIG. 7 is a cross section along lines 7-7 of FIG. 5;

FIG. 8 is a cross section along lines 8-8 of FIG. 5;

FIG. 9 is a front perspective view, from the top, of a dishwasher door control panel, handle, strip and fascia according to a second embodiment showing our new ornamental design;

FIG. 10 is a front view thereof;

FIG. 11 is a top view thereof;

FIG. 12 is a left side view thereof, with the right hand side view thereof being a mirror image thereof;

FIG. 13 is a front perspective view thereof;

FIG. 14 is another front perspective view thereof;

FIG. 15 is a cross section taken along lines 15-15 of FIG. 13;

FIG. 16 is a cross section taken along lines 16-16 of FIG. 13;

FIG. 17 is a front perspective view of a dishwasher door control panel, handle, fascia and strip according to a third embodiment showing our new ornamental design;

FIG. 18 is a front view thereof;

FIG. 19 is a top view thereof;

FIG. 20 is a left side view thereof, with the right hand side view thereof being a mirror image thereof;

FIG. 21 is a front perspective view thereof, from the top;

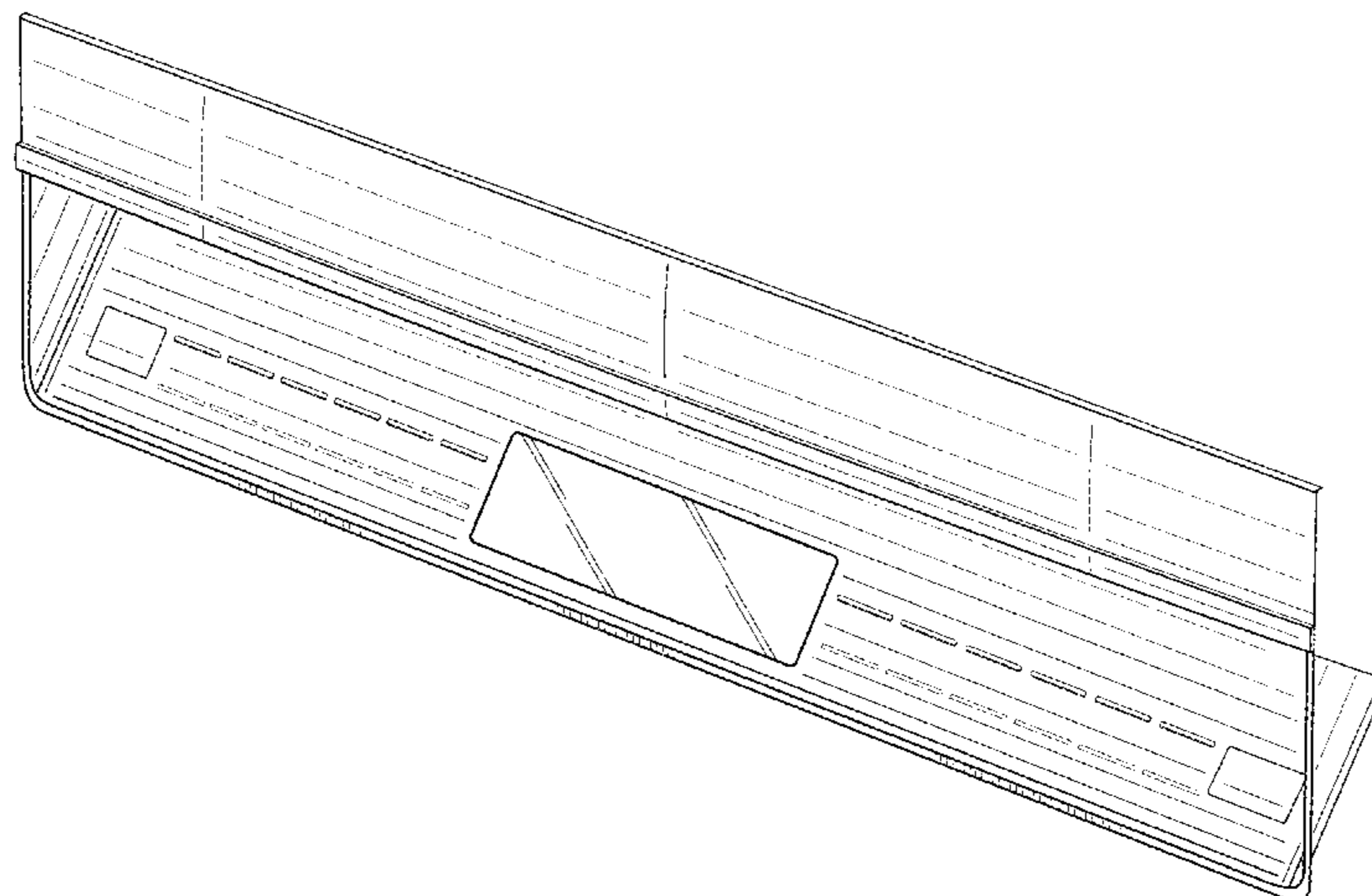
FIG. 22 is another front perspective view thereof, from the top;

FIG. 23 is a cross section taken along line 23-23 of FIG. 21; and,

FIG. 24 is a cross section taken along lines 24-24 of FIG. 21. The broken lines of the dishwasher, dishwasher compartment and/or components thereof show surrounding structure or environment and do not form part of the claimed design.

The bottom and rear parts of the dishwasher door, and the bottom, rear and top of the dishwasher compartment are unornamented and form no part of the claimed design.

1 Claim, 15 Drawing Sheets



Related U.S. Application Data

division of application No. 29/428,560, filed on Aug. 1, 2012, now Pat. No. Des. 689,248, which is a division of application No. 29/418,058, filed on Apr. 12, 2012, now Pat. No. Des. 670,457.

(56)

References Cited

U.S. PATENT DOCUMENTS

7,216,944 B2 * 5/2007 Oyler et al. 312/311
D627,937 S * 11/2010 Kim D32/2
D665,956 S * 8/2012 Eng et al. D32/2
D665,957 S * 8/2012 Eng et al. D32/2

D668,402 S * 10/2012 Eng et al. D32/3
D668,403 S * 10/2012 Eng et al. D32/3
D668,404 S * 10/2012 Eng et al. D32/3
D670,457 S * 11/2012 Eng D32/3
D672,101 S * 12/2012 Eng et al. D32/3
D673,742 S * 1/2013 Eng et al. D32/2
D684,735 S * 6/2013 Eng et al. D32/3
D684,736 S * 6/2013 Eng et al. D32/3
D685,149 S * 6/2013 Eng et al. D32/3
D689,248 S * 9/2013 Eng D32/3
D692,628 S * 10/2013 Eng et al. D32/2
D693,070 S * 11/2013 Eng et al. D32/3
2003/0030288 A1 * 2/2003 Miller et al. 292/303

* cited by examiner

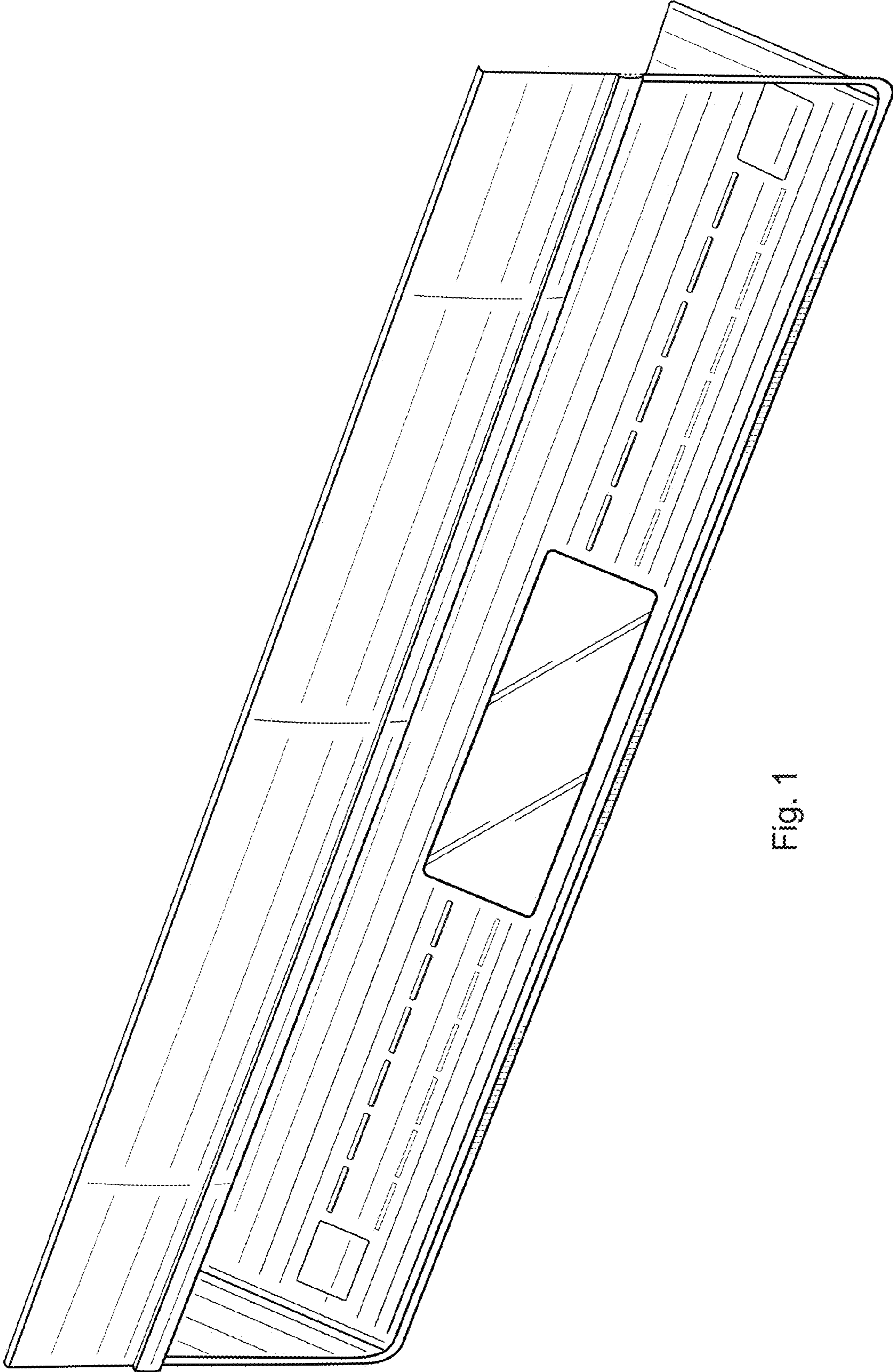


Fig. 1

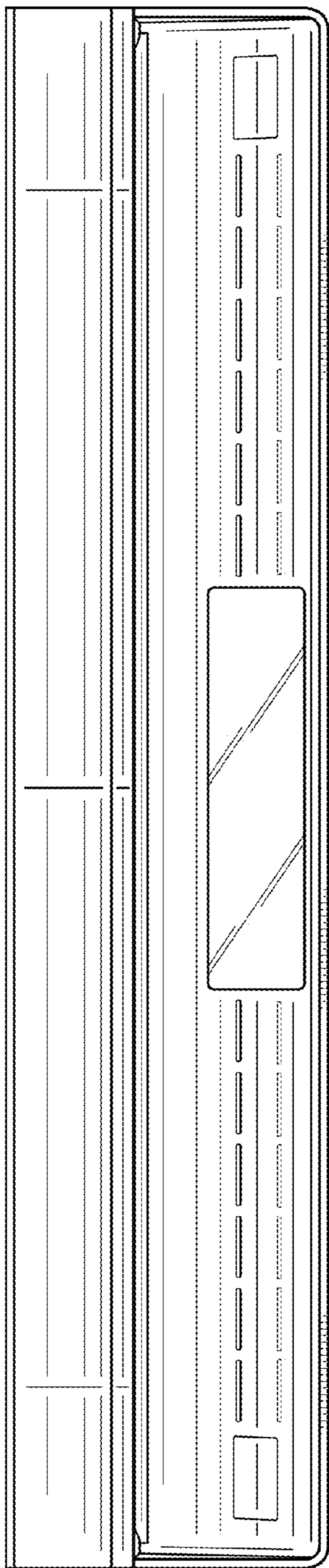


Fig. 2

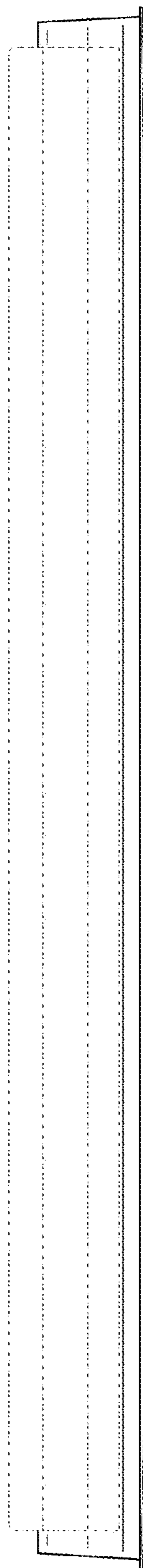


Fig. 3

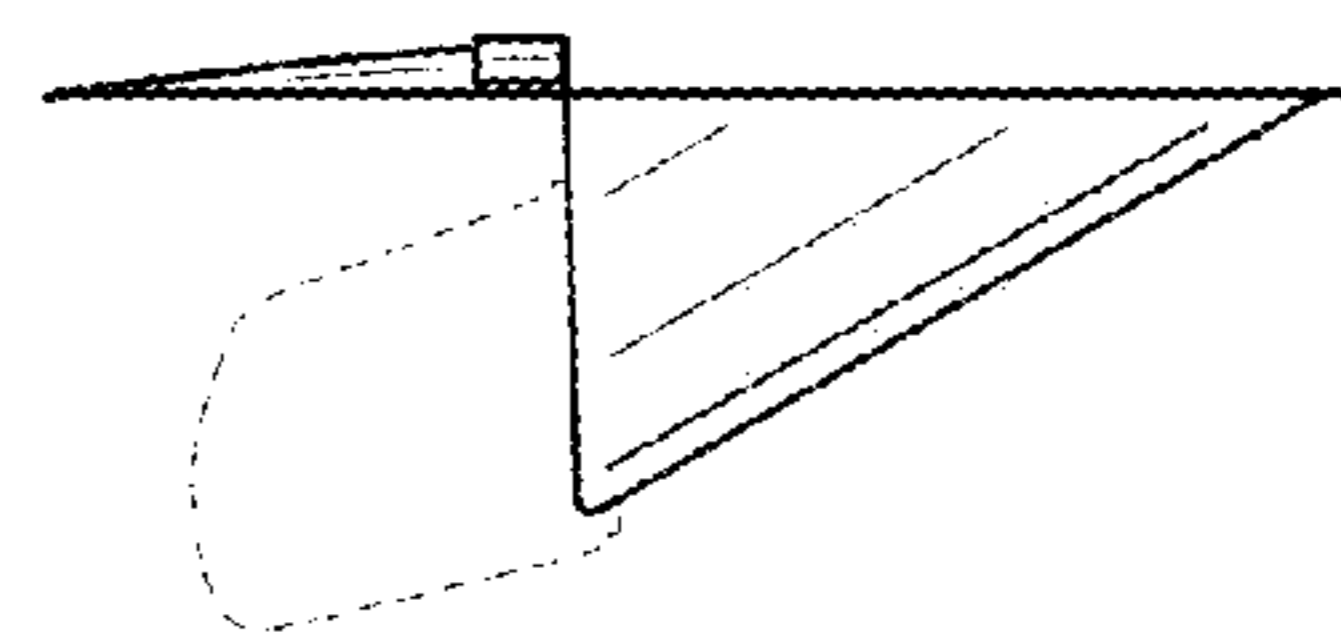


Fig. 4

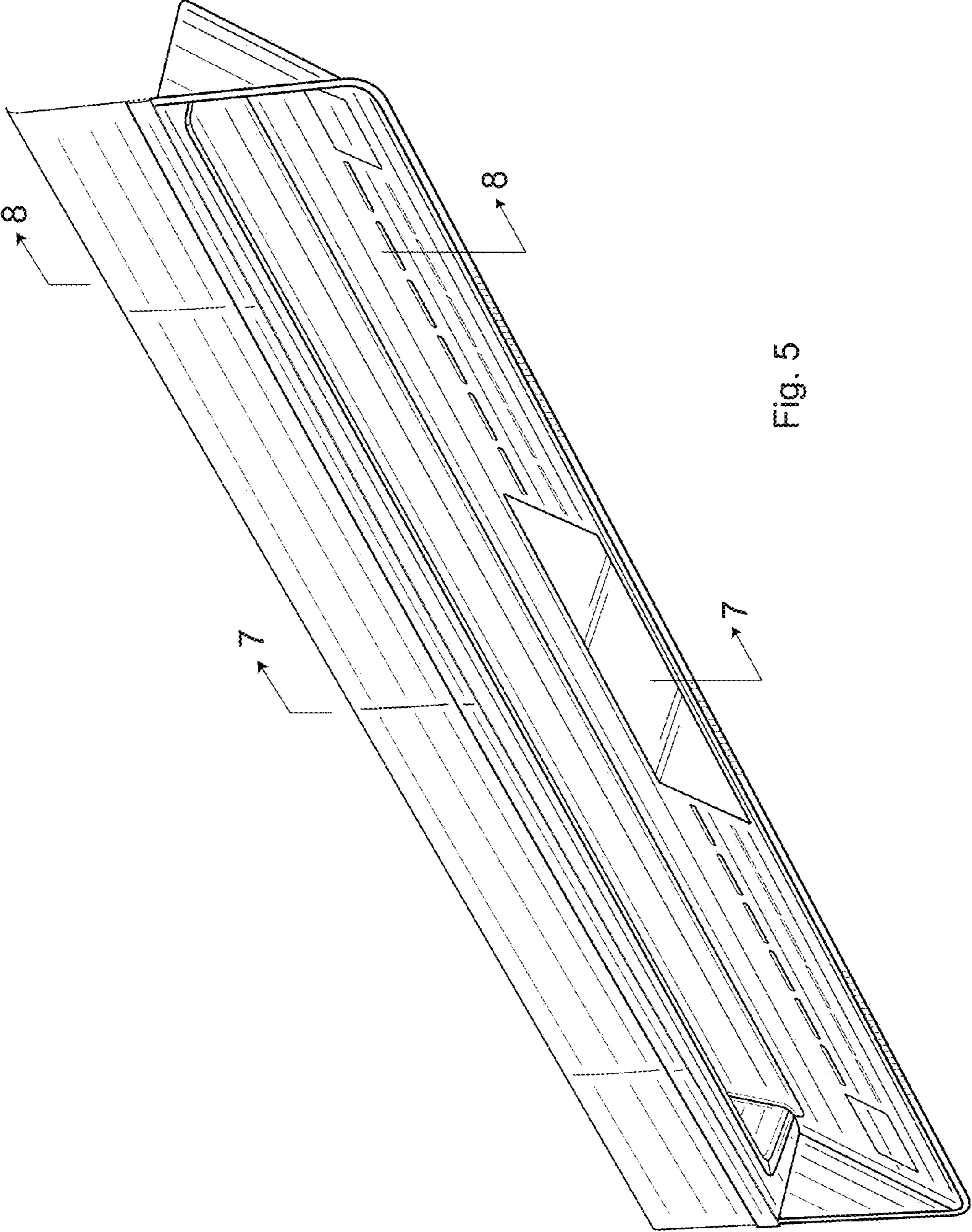


Fig. 5

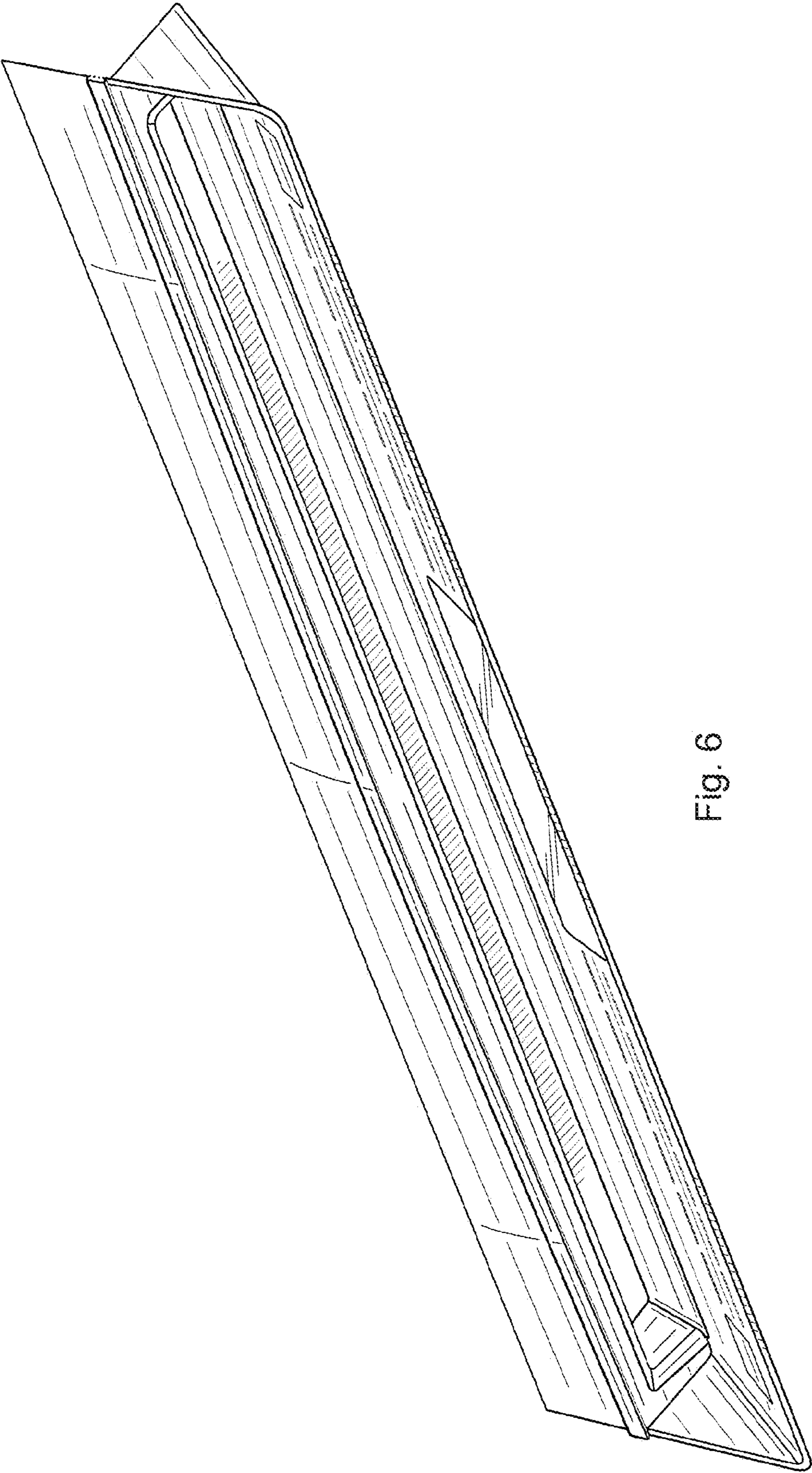


Fig. 6

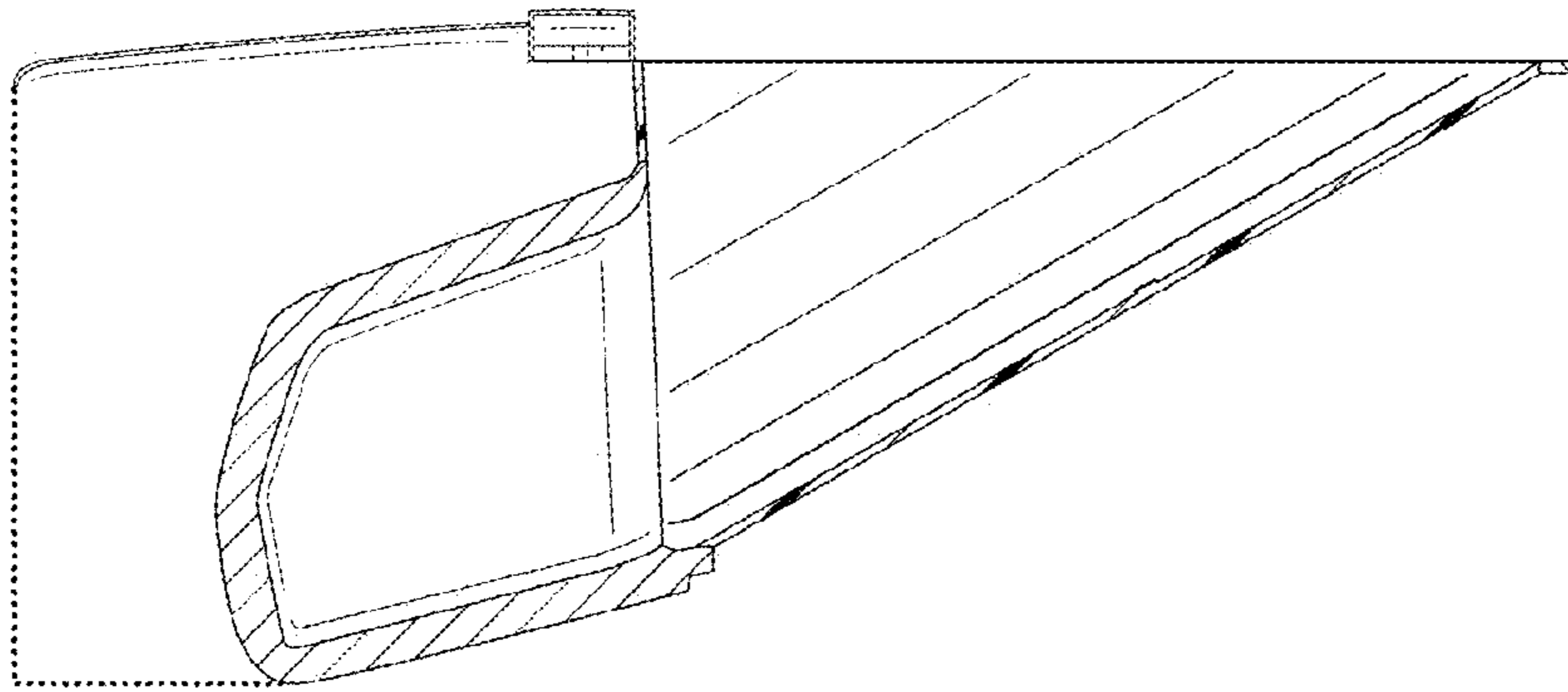


Fig. 8

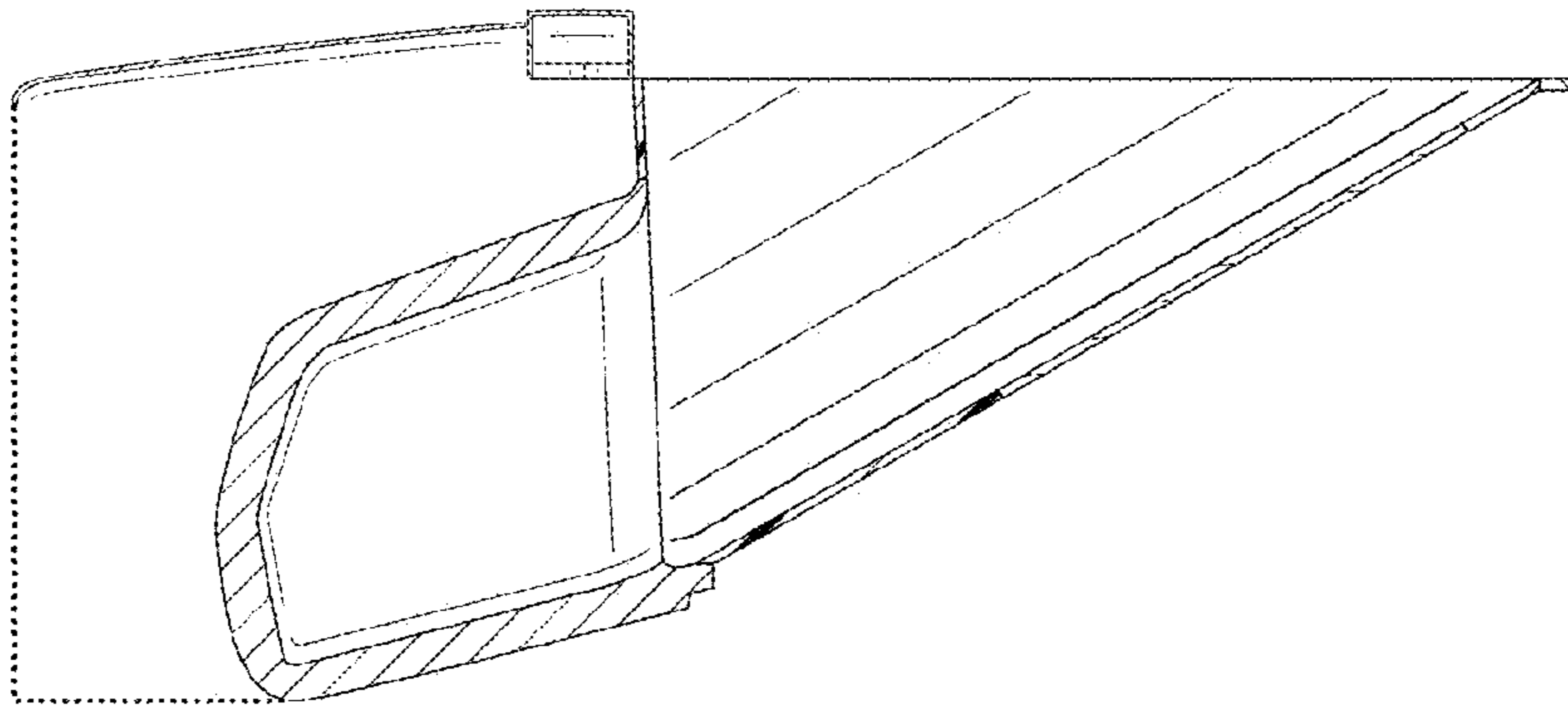


Fig. 7

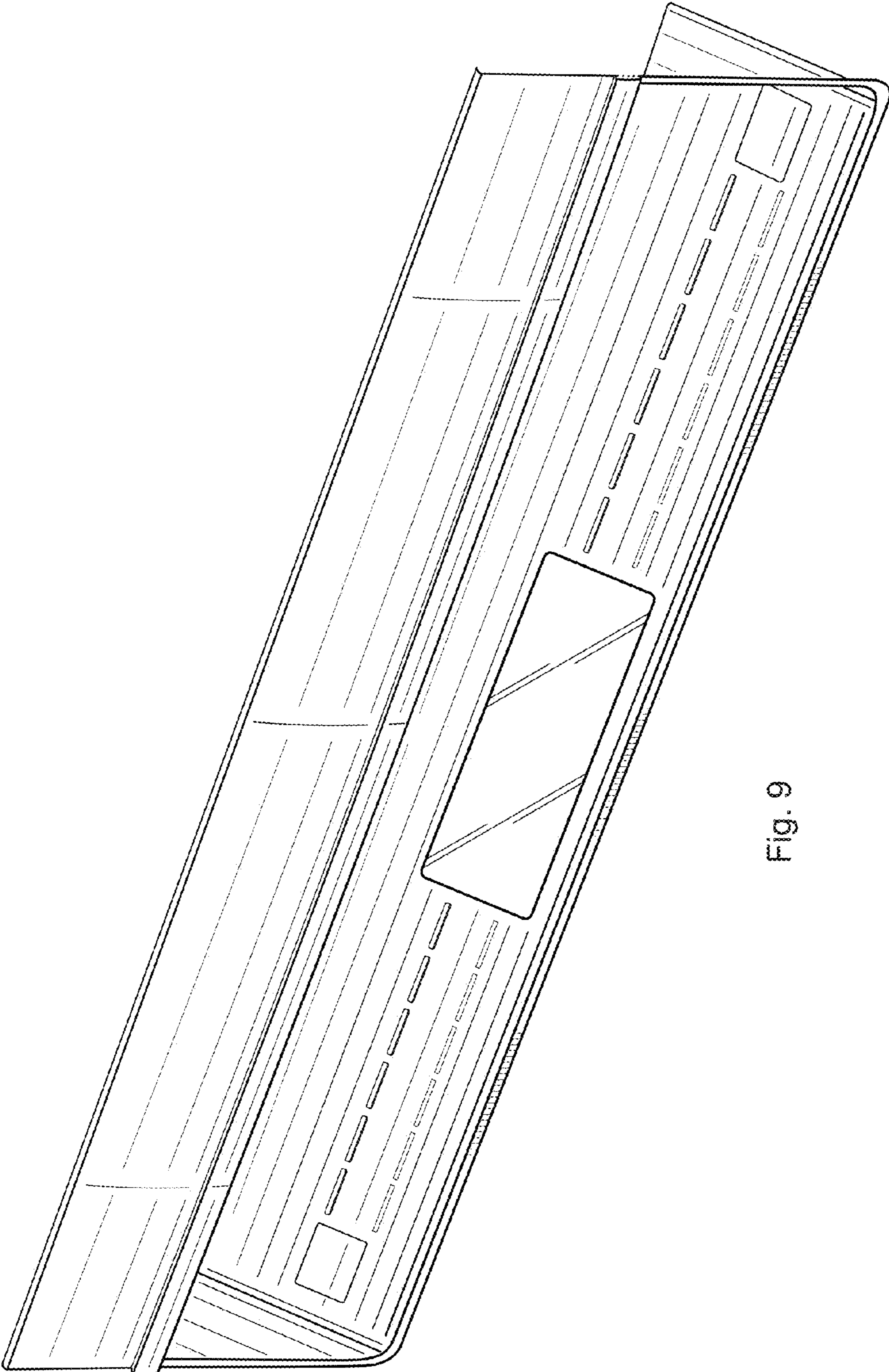


Fig. 9

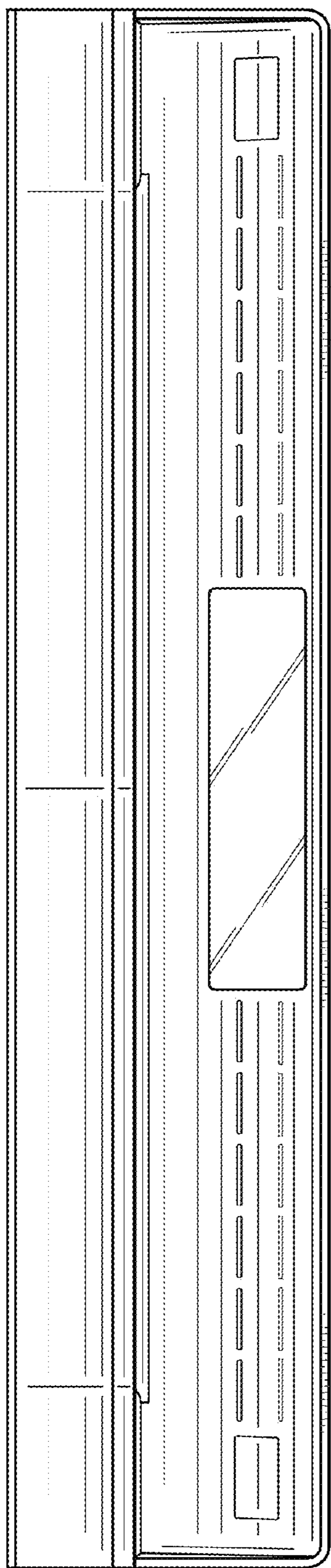


Fig. 10

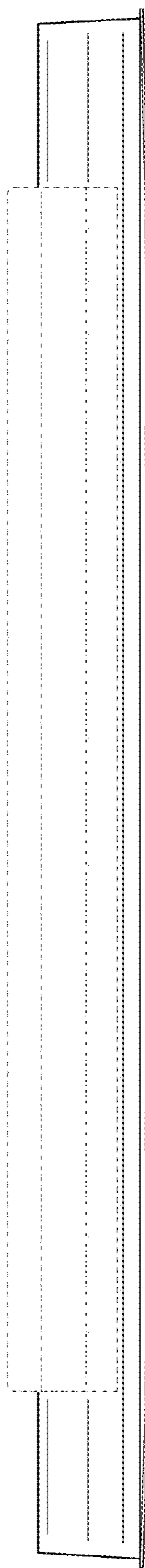


Fig. 11

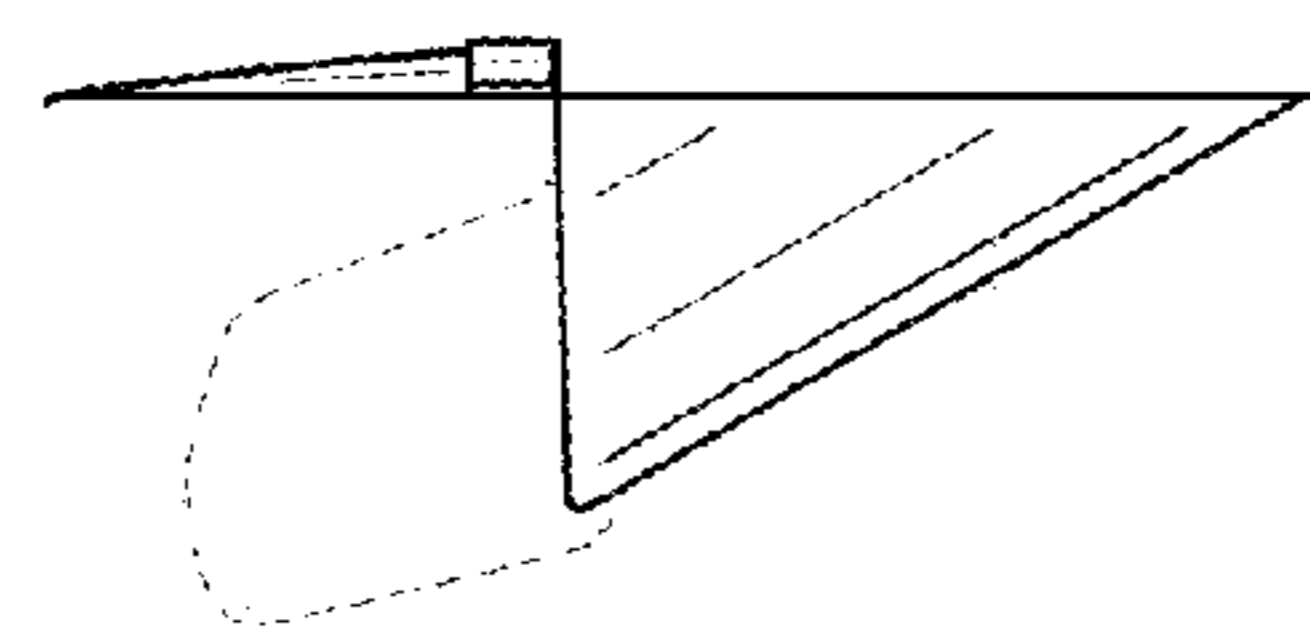


Fig. 12

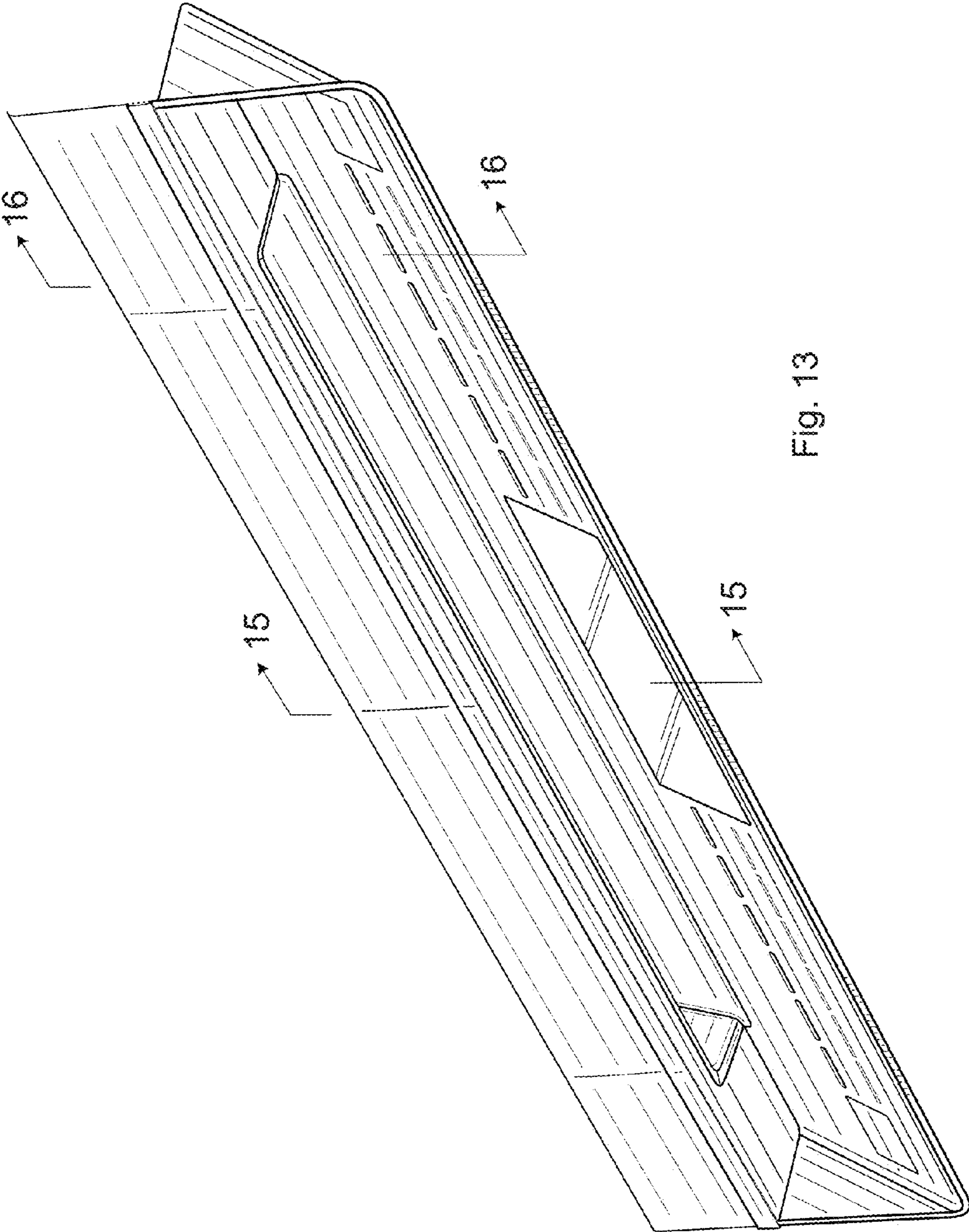


Fig. 13

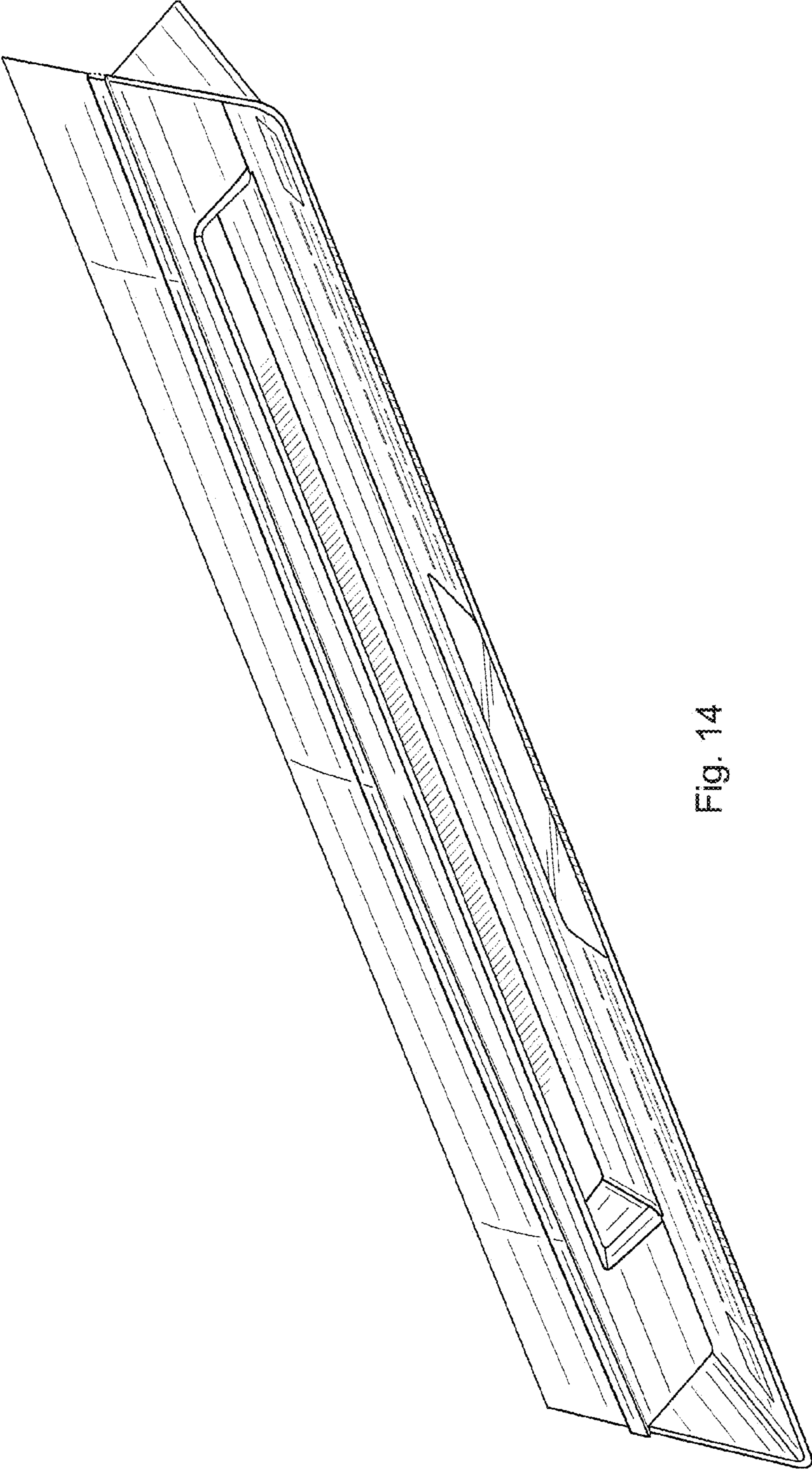


Fig. 14

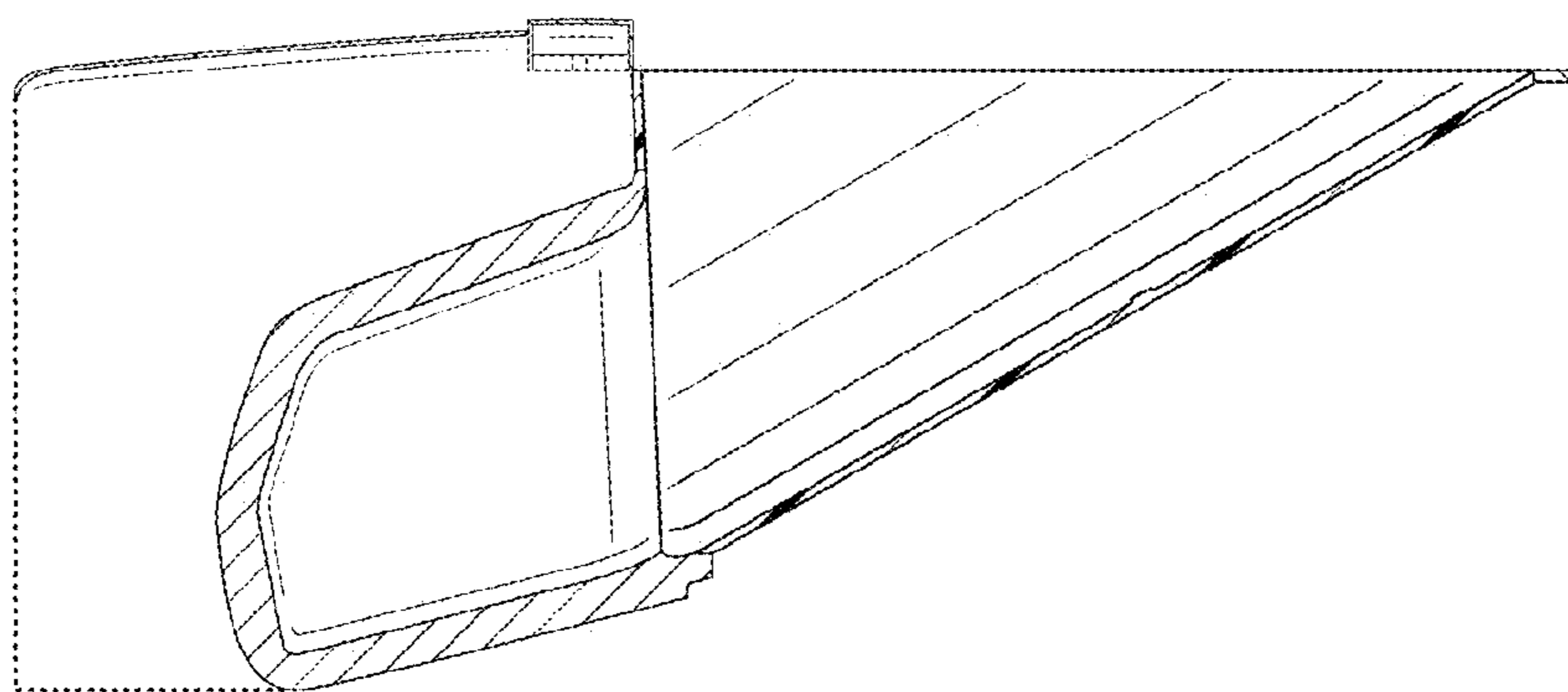


Fig. 16

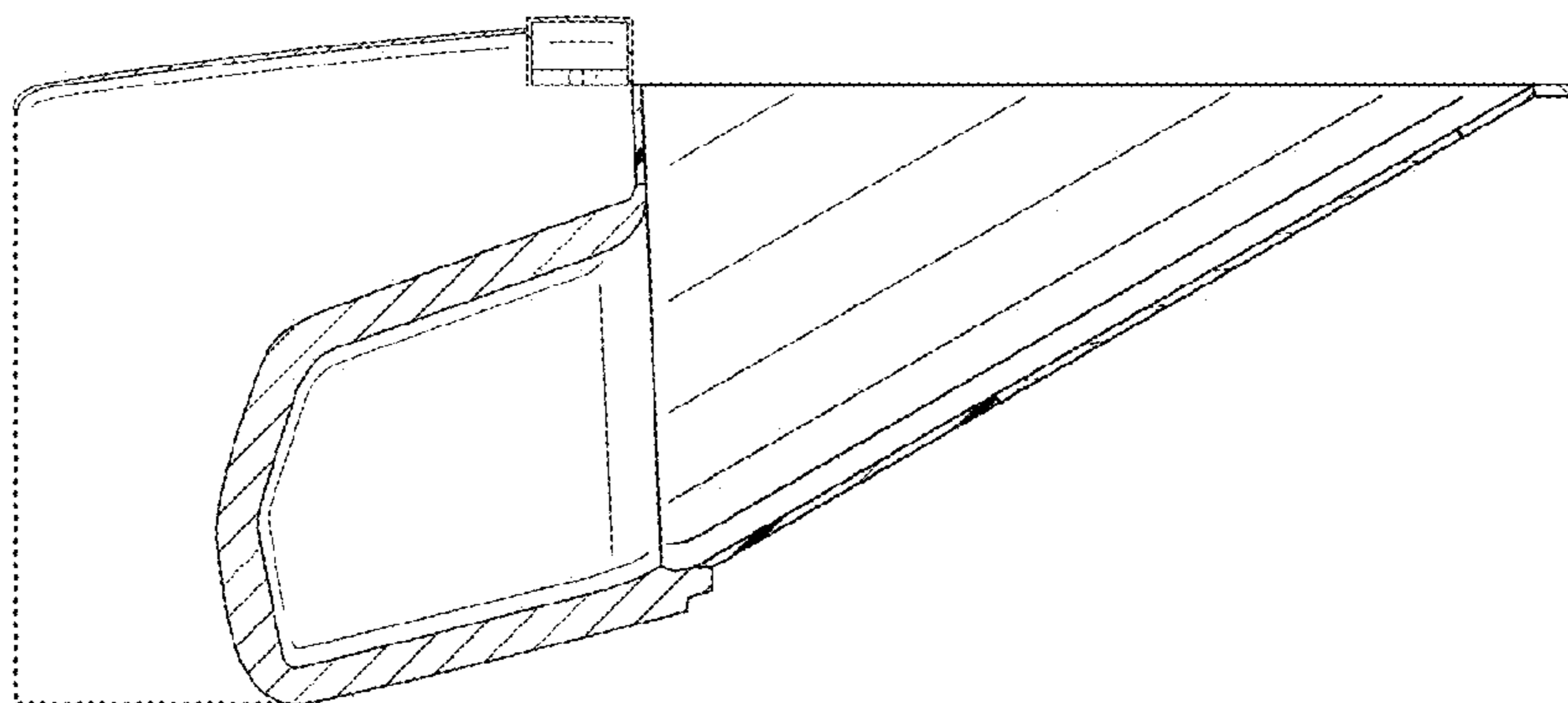


Fig. 15

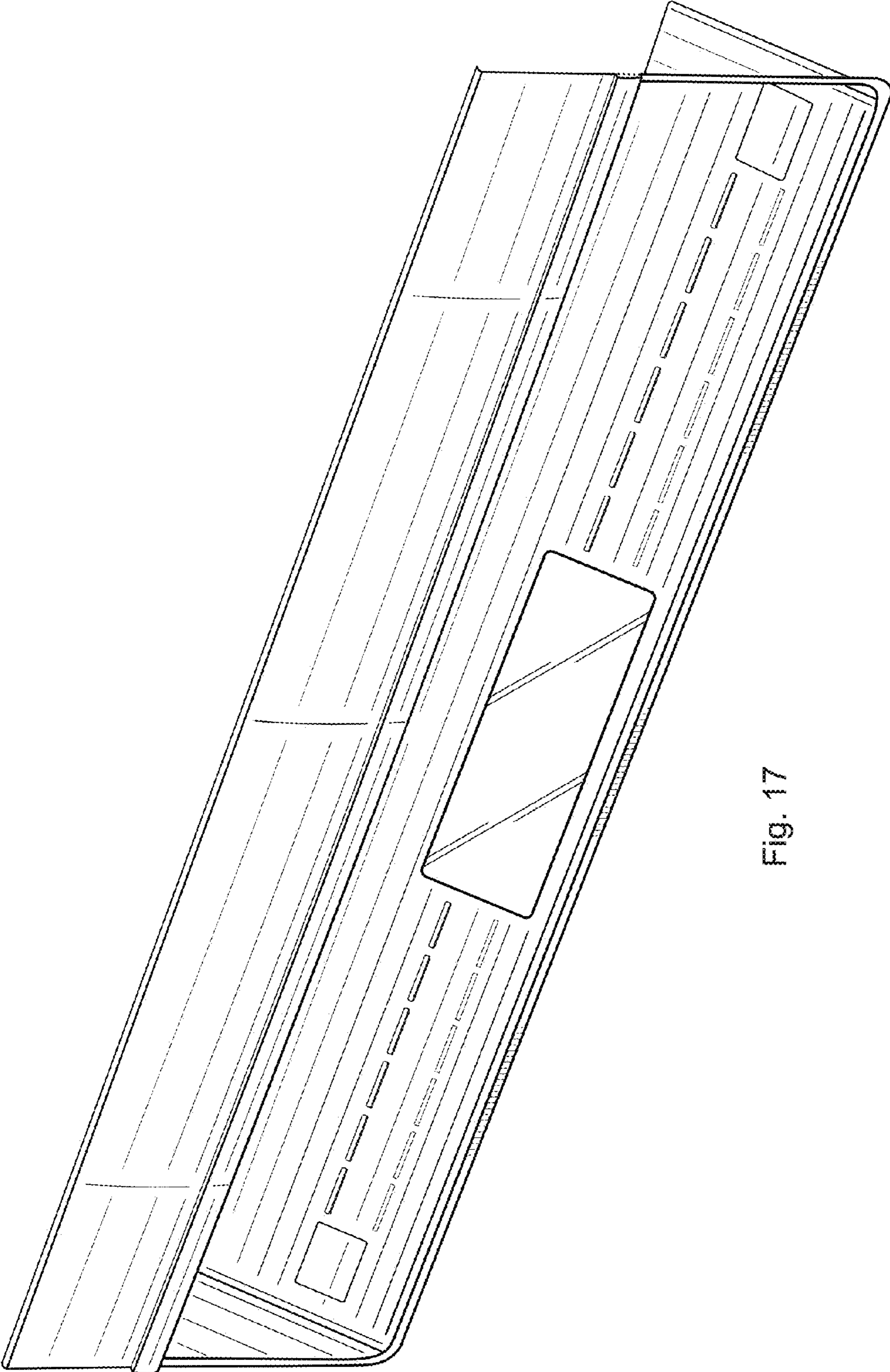


Fig. 17

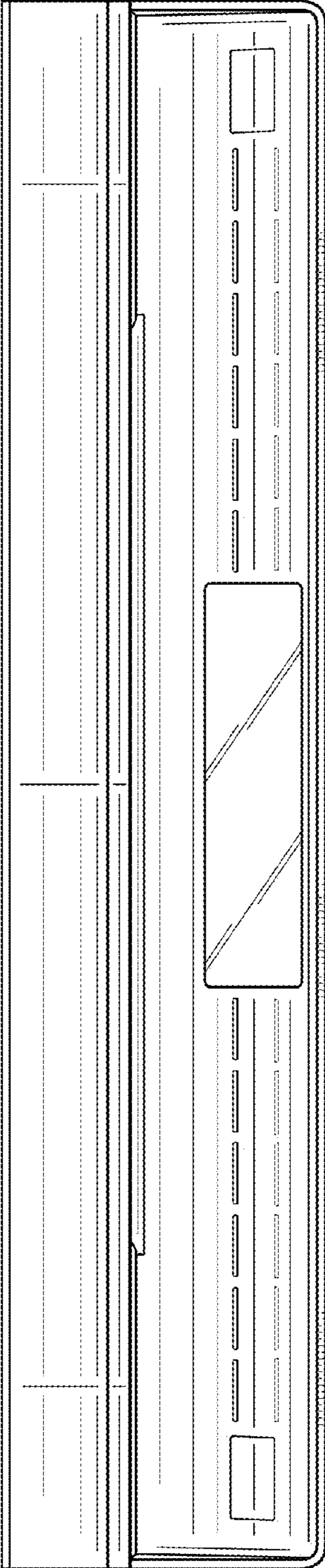


Fig. 18

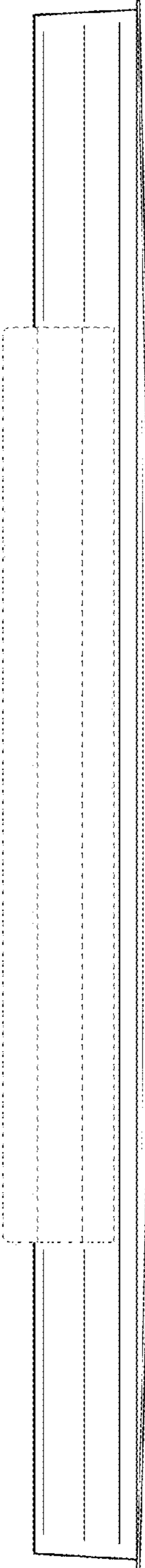


Fig. 19

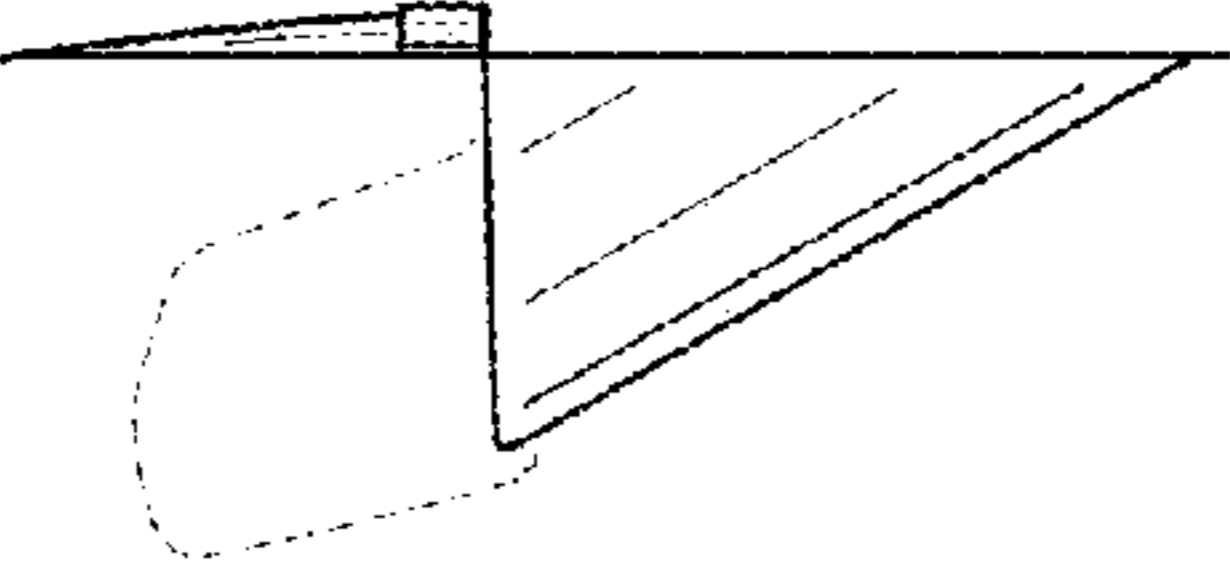


Fig. 20

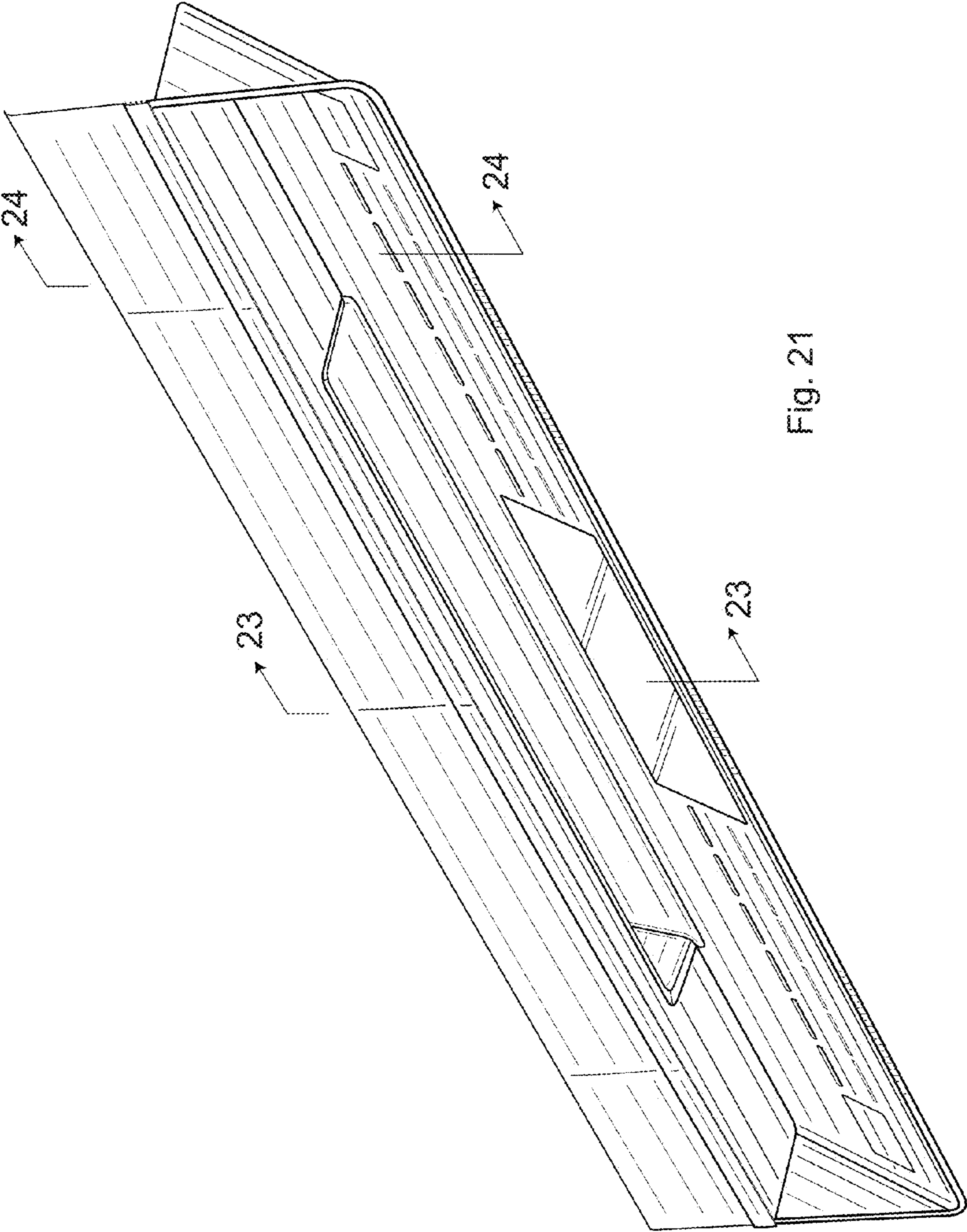


Fig. 21

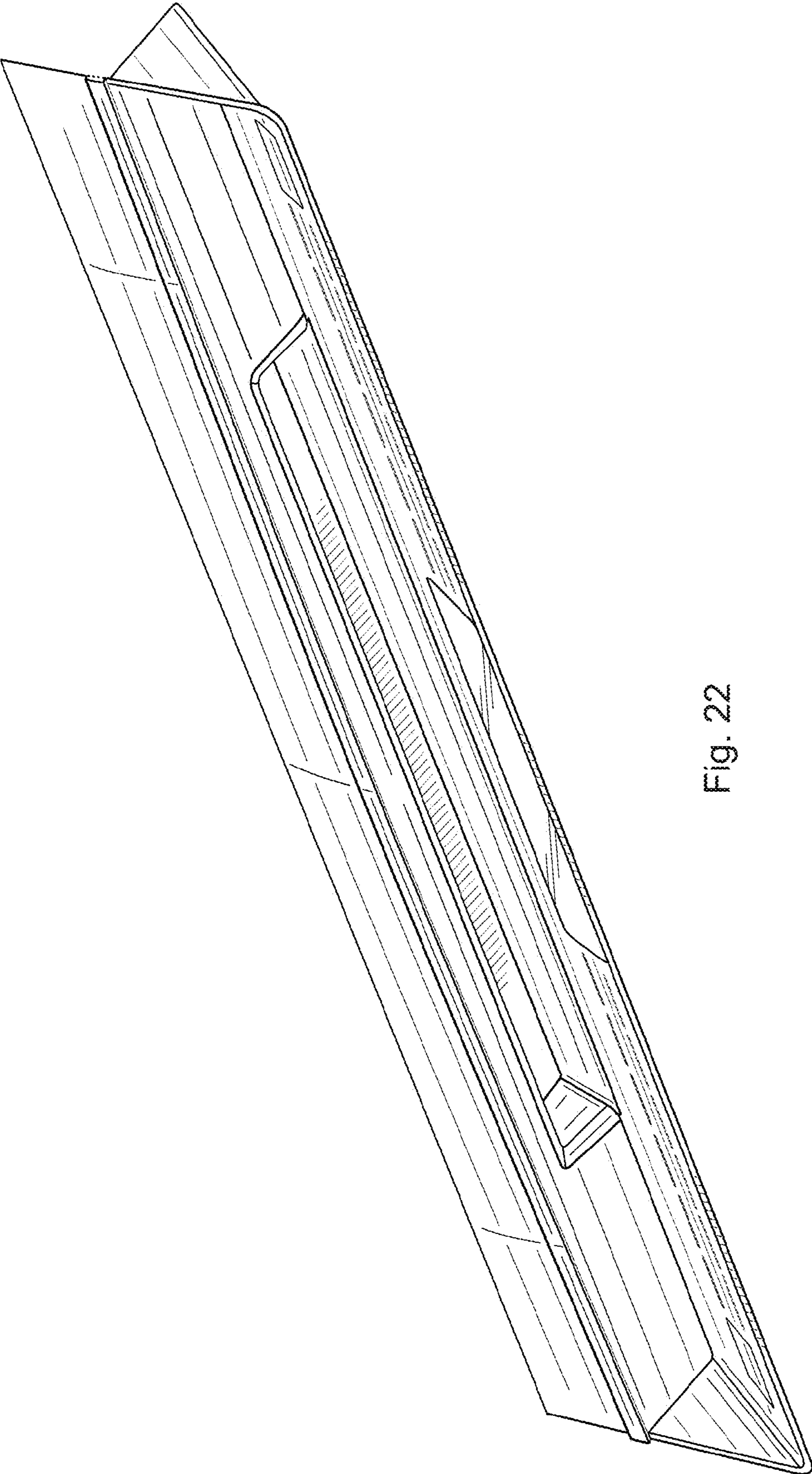


Fig. 22

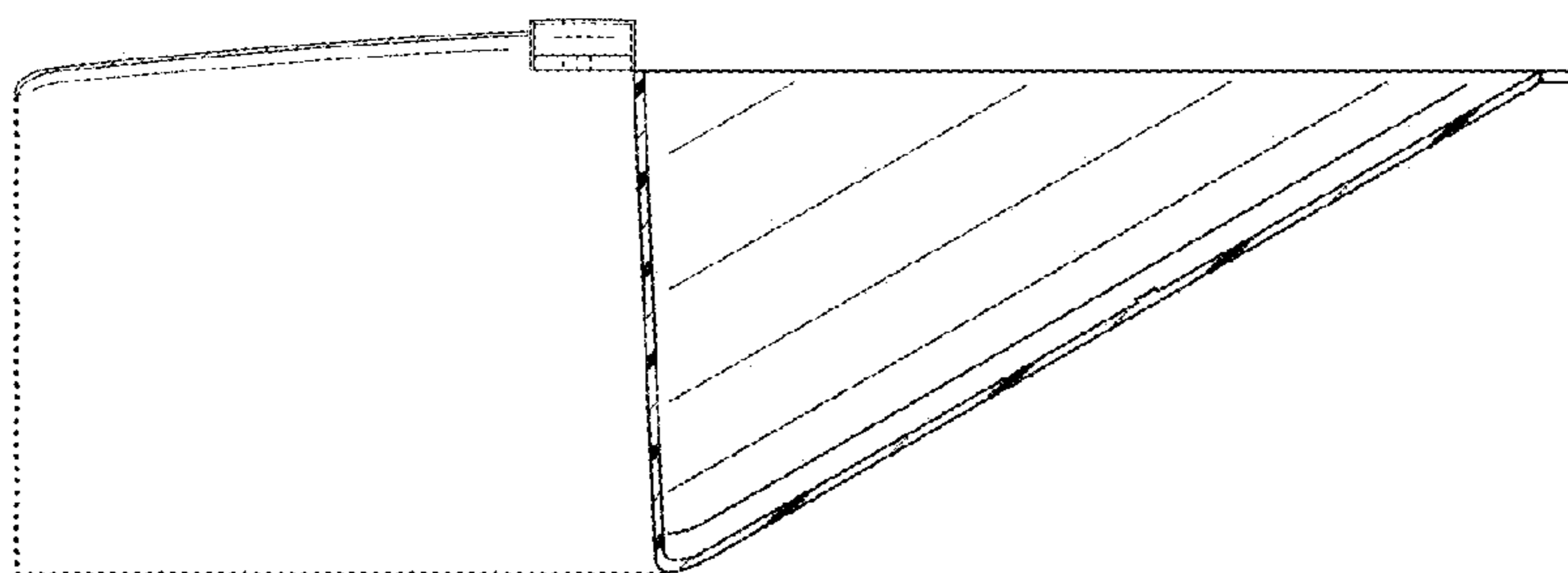


Fig. 24

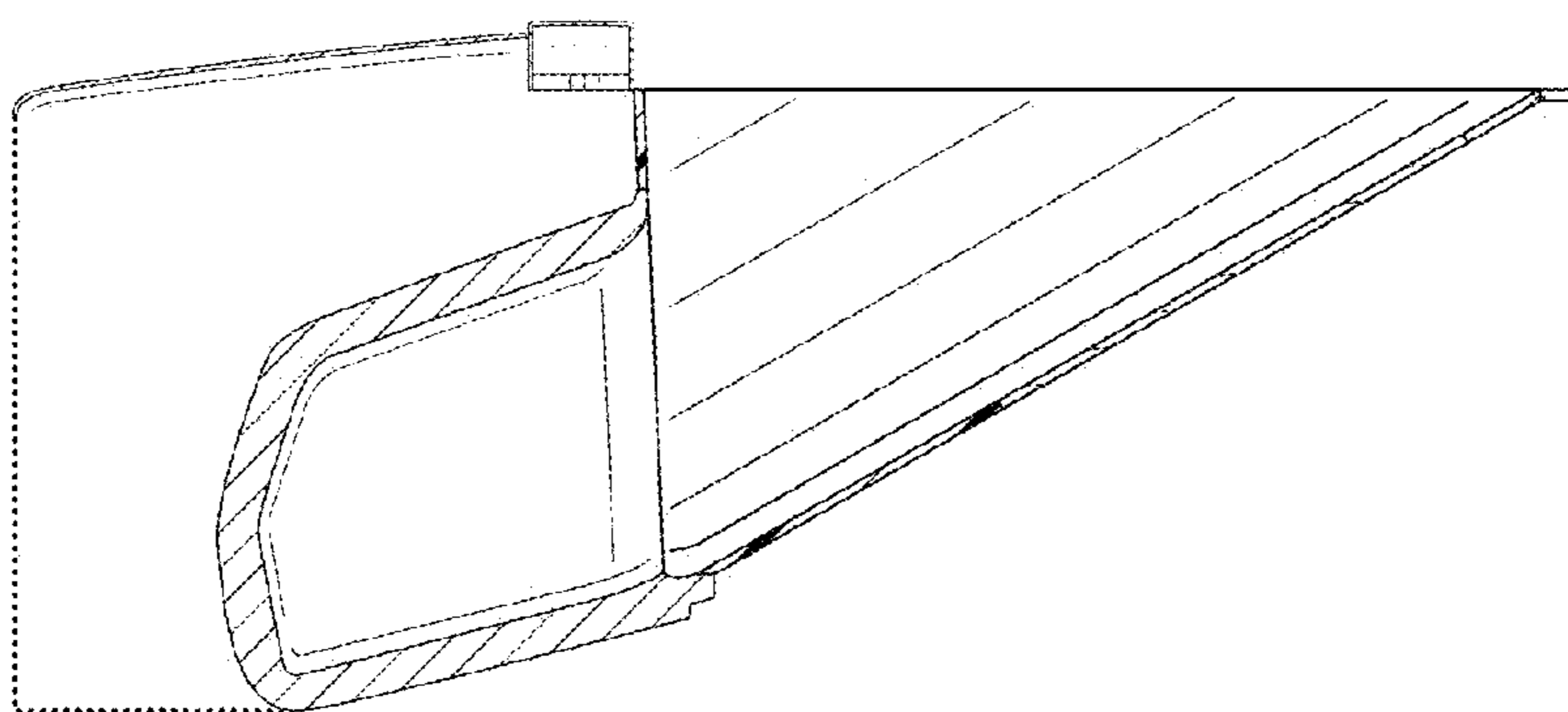


Fig. 23