



US00D733369S

(12) **United States Design Patent**  
**Tschan**

(10) **Patent No.:** **US D733,369 S**  
(45) **Date of Patent:** **\*\* Jun. 30, 2015**

(54) **PAINT SPRAY GUN CLEANING DEVICE**

(71) Applicant: **SATA GmbH & Co. KG**, Kornwestheim (DE)

(72) Inventor: **Alexander Tschan**, Kornwestheim (DE)

(73) Assignee: **SATA GMBH & CO. KG**, Kornwestheim (DE)

(\*\*) Term: **14 Years**

(21) Appl. No.: **29/447,887**

(22) Filed: **Mar. 7, 2013**

(30) **Foreign Application Priority Data**

Sep. 7, 2012 (EM) ..... 002098962-0001  
Sep. 7, 2012 (EM) ..... 002099036-0001

(51) **LOC (10) Cl.** ..... **15-05**

(52) **U.S. Cl.**  
USPC ..... **D32/1**

(58) **Field of Classification Search**  
USPC ..... D32/1, 4, 16, 21, 30, 35, 19; 134/102.1,  
134/103.2, 144, 148, 169 A, 186, 198, 172,  
134/200, 22.1–22.12; 34/79–80;  
15/320–322, 353, 355, 104.03  
See application file for complete search history.

(56) **References Cited**

**U.S. PATENT DOCUMENTS**

1,662,496 A \* 3/1928 Forsgard ..... 134/56 D  
1,711,221 A \* 4/1929 Blakeslee ..... 134/194  
2,198,441 A \* 4/1940 Mollart ..... 15/21.2  
2,612,899 A \* 10/1952 Webb ..... 134/102.1  
3,159,472 A \* 12/1964 Revell ..... 96/25  
D200,594 S \* 3/1965 Sass ..... D32/4  
D204,306 S \* 4/1966 Hamm ..... D32/1  
D205,760 S \* 9/1966 Hocutt et al. .... D32/30  
D217,928 S \* 6/1970 Felske ..... D32/30

3,656,493 A \* 4/1972 Black et al. .... 134/113  
D276,472 S \* 11/1984 Harrison ..... D32/1  
D293,950 S \* 1/1988 Ogden et al. .... D32/21  
D298,372 S \* 11/1988 Taylor, Jr. .... D32/1  
4,826,539 A \* 5/1989 Harpold ..... 134/10  
5,232,299 A \* 8/1993 Hiss ..... 401/143  
D402,820 S \* 12/1998 Morison et al. .... D6/397

(Continued)

**OTHER PUBLICATIONS**

Herkules Paint Gun Washers brochure publish date Jan 2012, [online], [site visited Jan. 7, 2015], <<http://www.herkules.us/pdfs/L0076-1-Herkules-Gun-Washers-4-page-brochure.pdf>>.\*

(Continued)

*Primary Examiner* — John Windmuller  
*Assistant Examiner* — John R Yeh

(74) *Attorney, Agent, or Firm* — Paul D. Bianco; Martin Fleit; Fleit Gibbons Gutman Bongini & Bianco PL

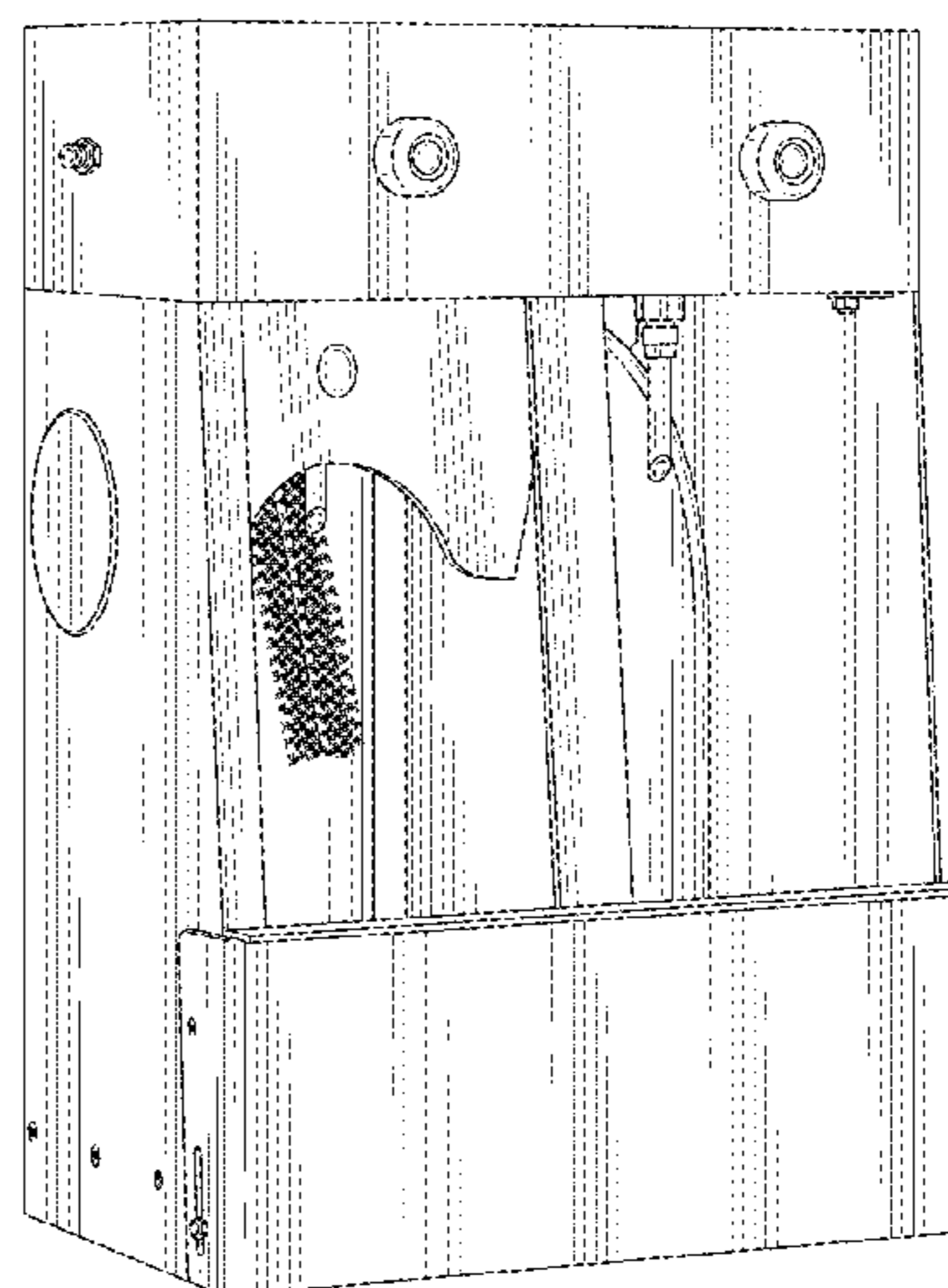
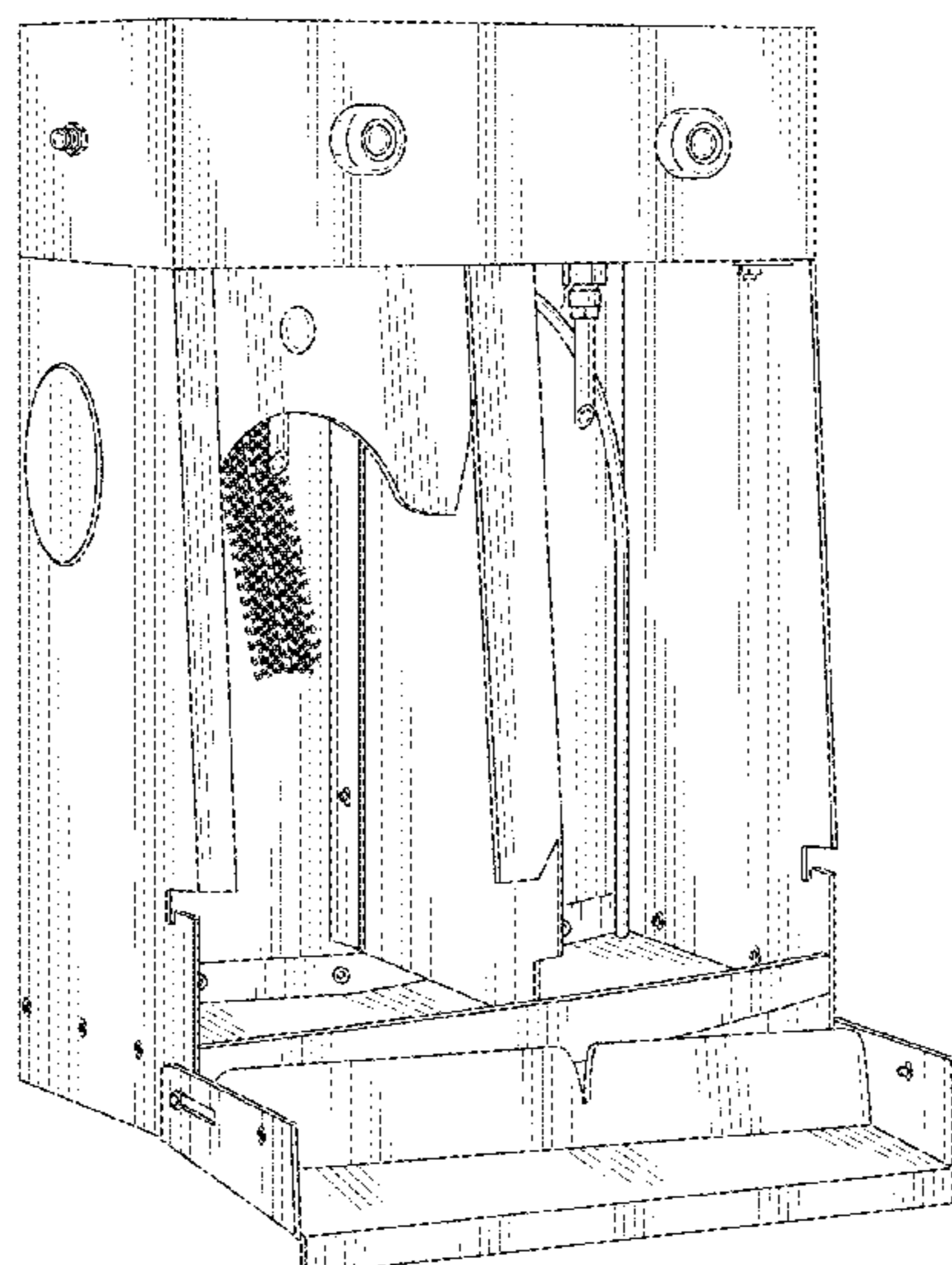
(57) **CLAIM**

The ornamental design for a paint spray gun cleaning device, as shown and described.

**DESCRIPTION**

FIG. 1 is a front perspective view of a paint spray gun cleaning device of the subject invention with a bottom cover open; FIG. 2 is a front perspective view thereof with the bottom cover closed; FIG. 3 is a front view thereof; FIG. 4 is a back view thereof; FIG. 5 is a first side view thereof; FIG. 6 is a second side view thereof; FIG. 7 is a top view thereof; FIG. 8 is a bottom view thereof; and, FIG. 9 is a top view with a cover removed. The features shown in broken line are for illustrative purposes only and form no part of the claimed invention.

**1 Claim, 5 Drawing Sheets**



(56)

**References Cited**

U.S. PATENT DOCUMENTS

5,853,014 A \* 12/1998 Rosenauer ..... 134/102.1  
6,732,751 B2 \* 5/2004 Chiang ..... 134/102.2  
6,955,180 B2 \* 10/2005 Kocherlakota et al. ... 134/169 C  
D538,493 S \* 3/2007 Zimmerle et al. .... D32/21  
D581,107 S 11/2008 Schmon  
8,454,759 B2 \* 6/2013 Selsvik ..... 134/32

OTHER PUBLICATIONS

Jetclean GUn Cleaner Terry's Auto Supply, google publish date Aug. 4, 2011, [online], [site visited Jan. 7, 2015], <<http://secure.terrys.net/viewProduct.php?productID=FT.FHAZ1005>>.\*

\* cited by examiner

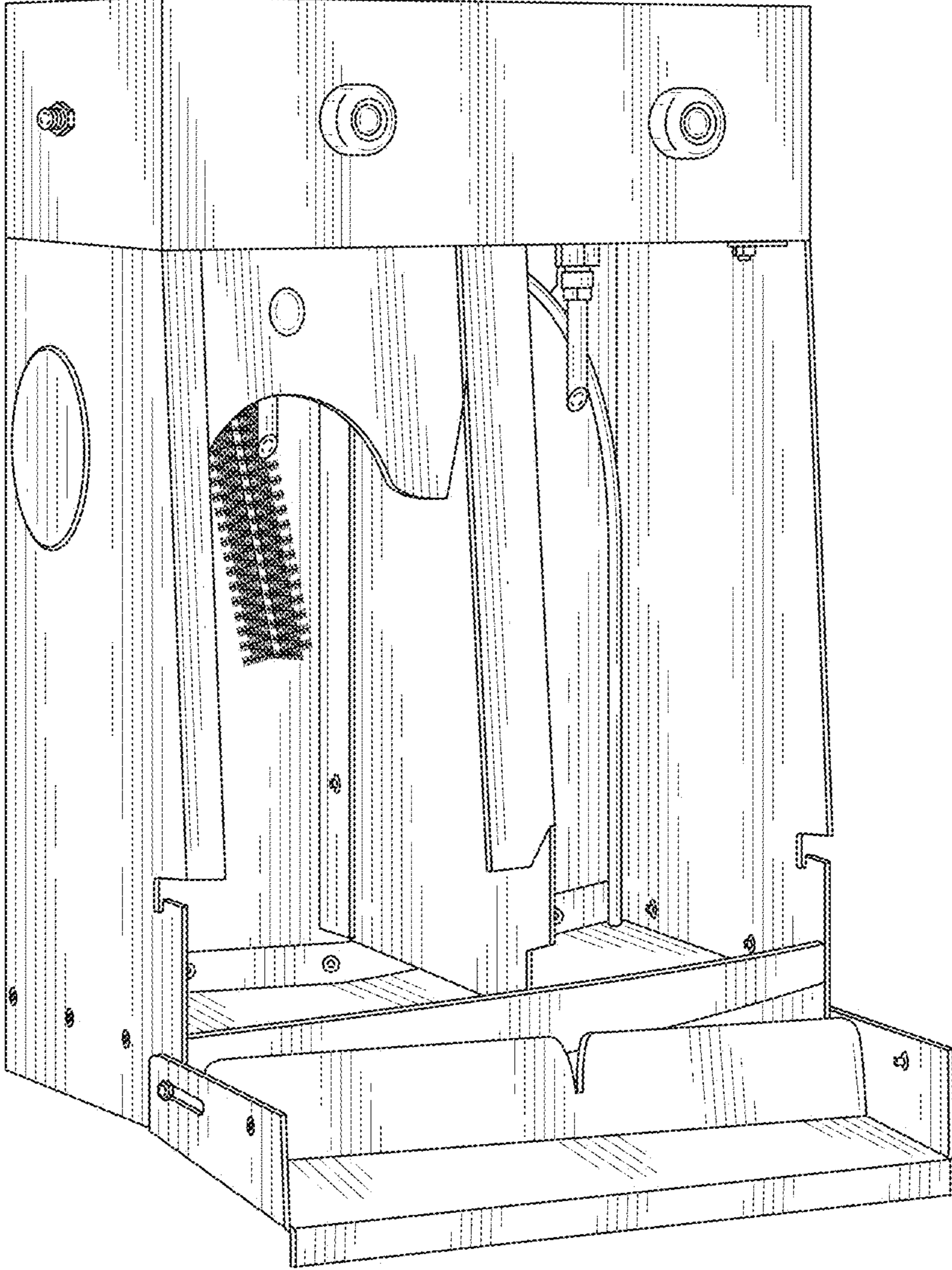


FIG. 1



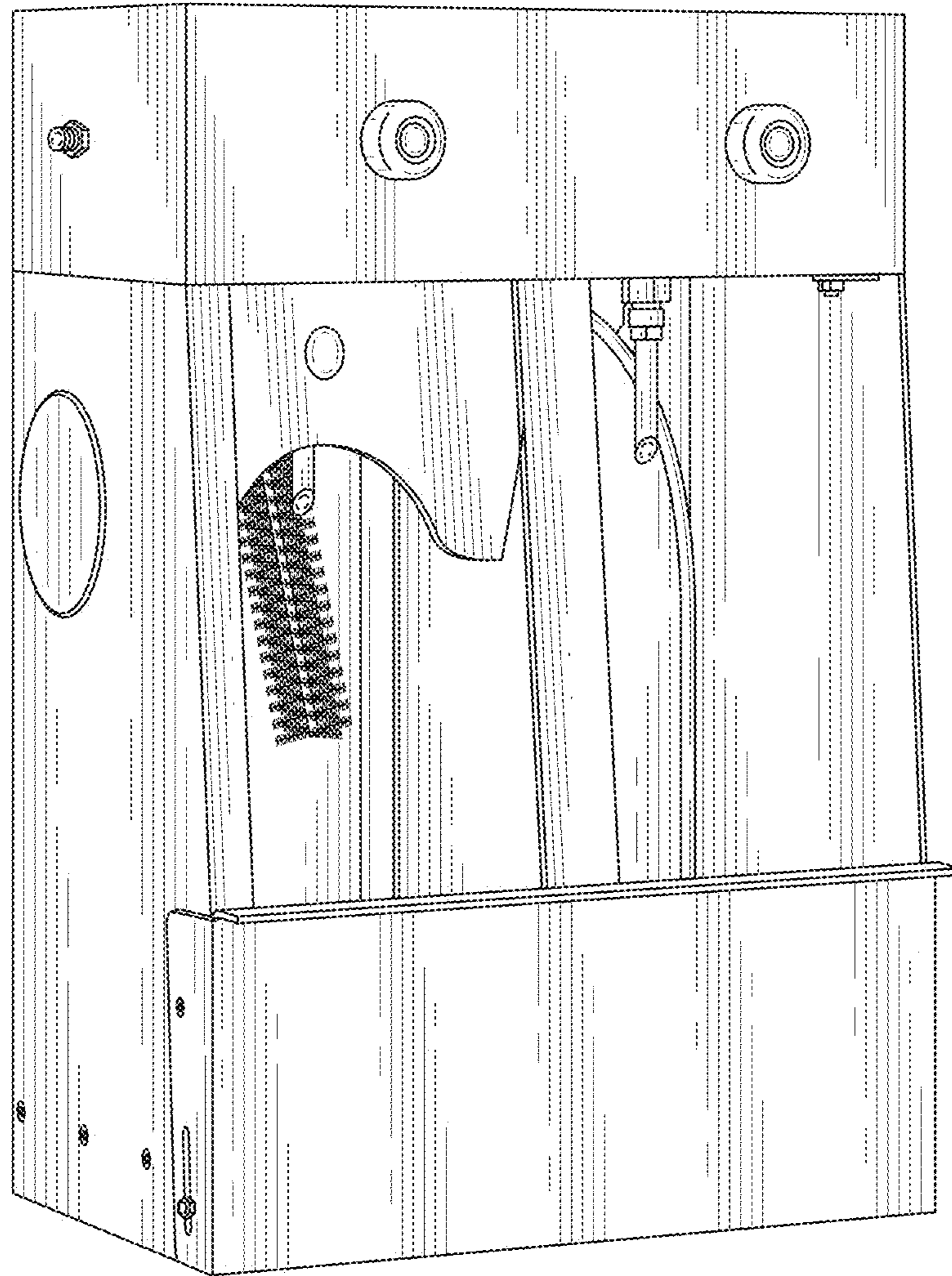


FIG. 2

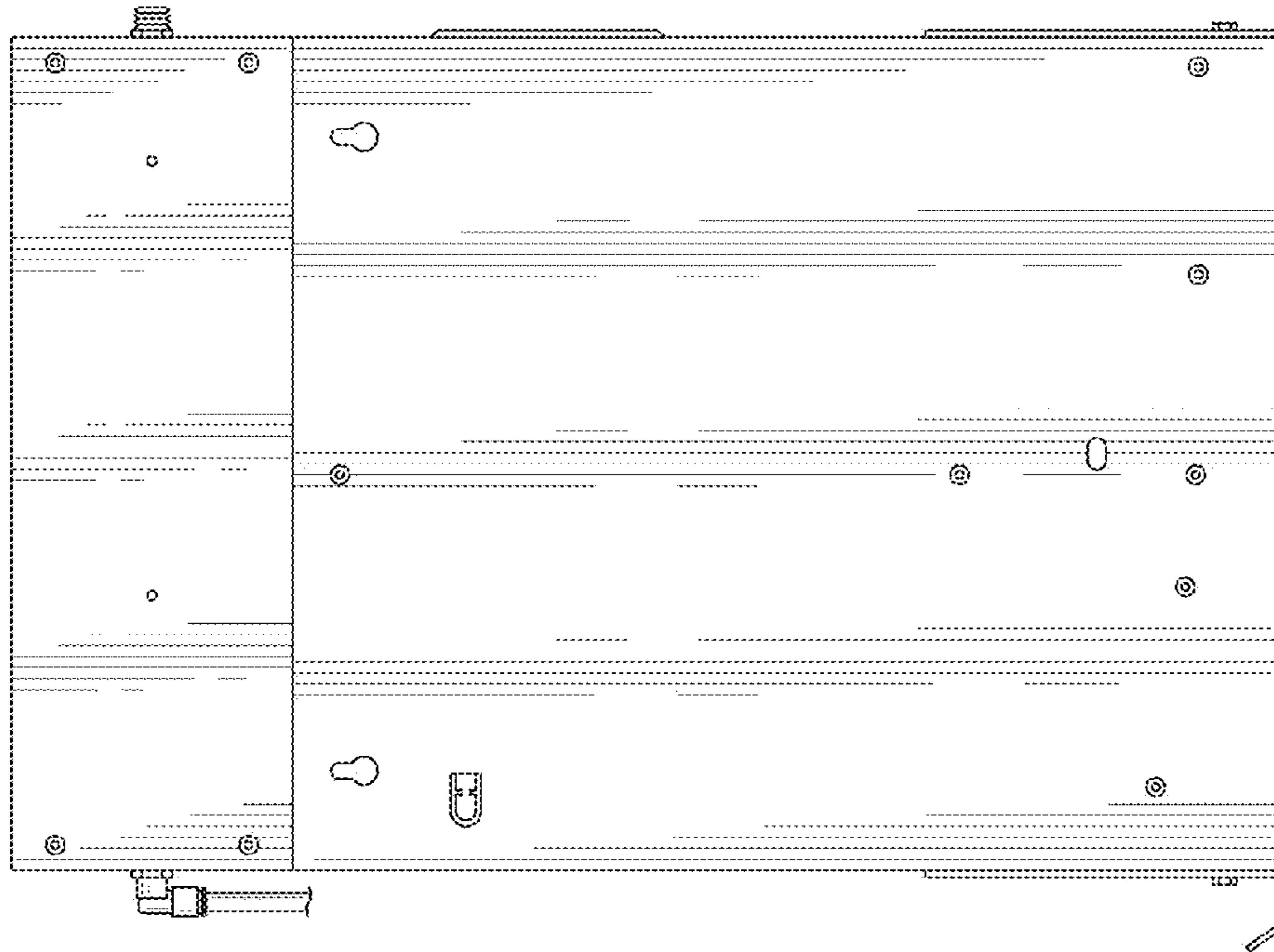


FIG. 4

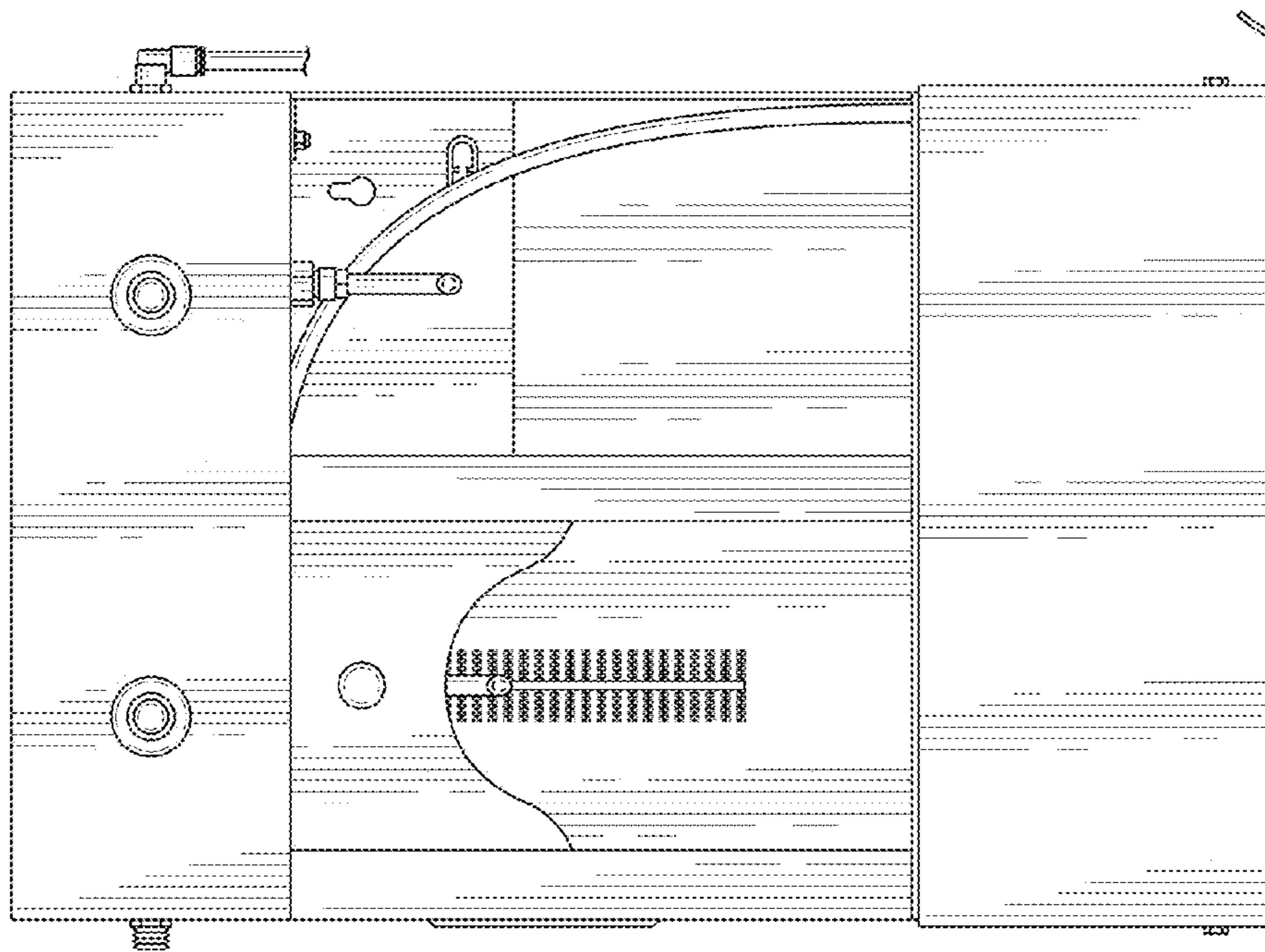


FIG. 3

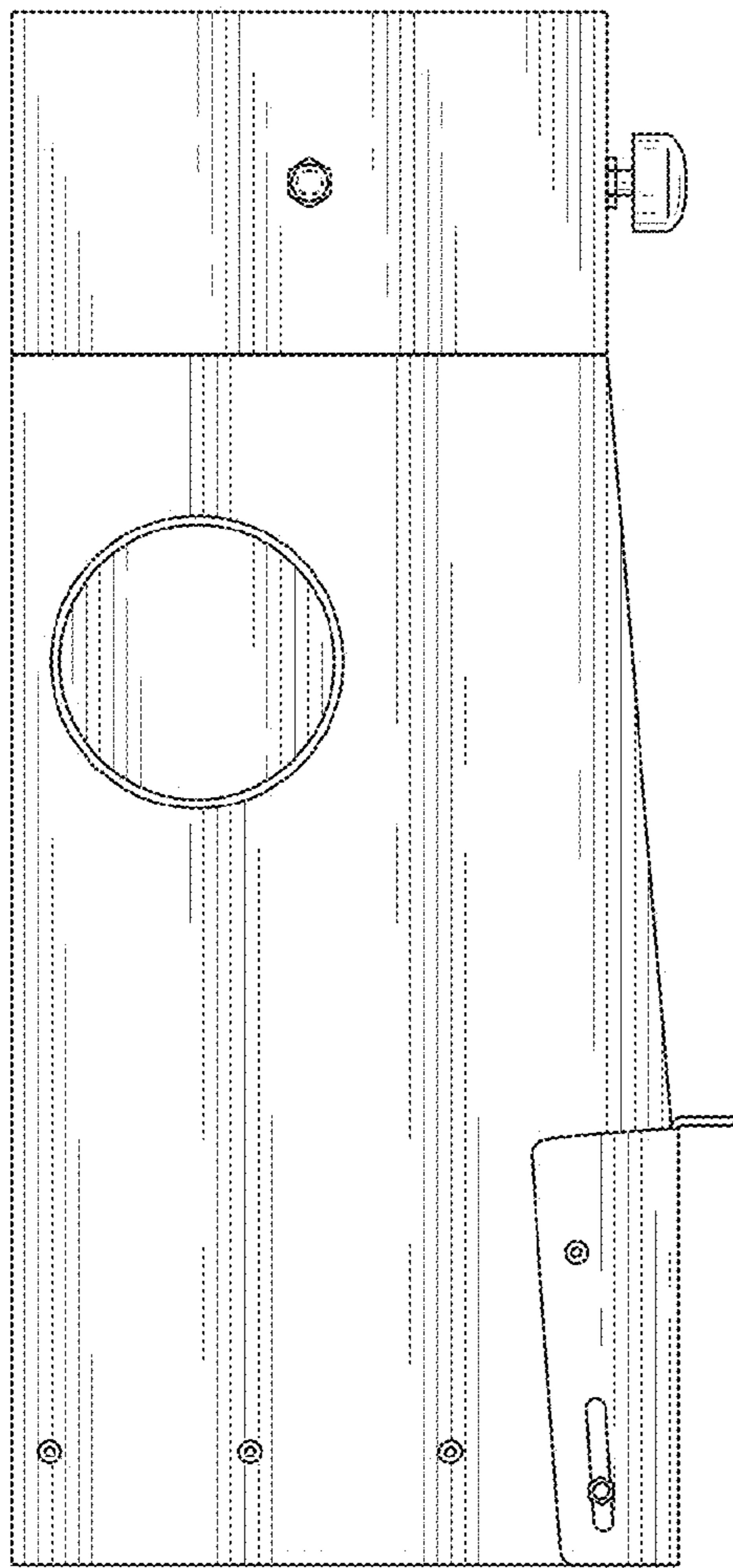


FIG. 5

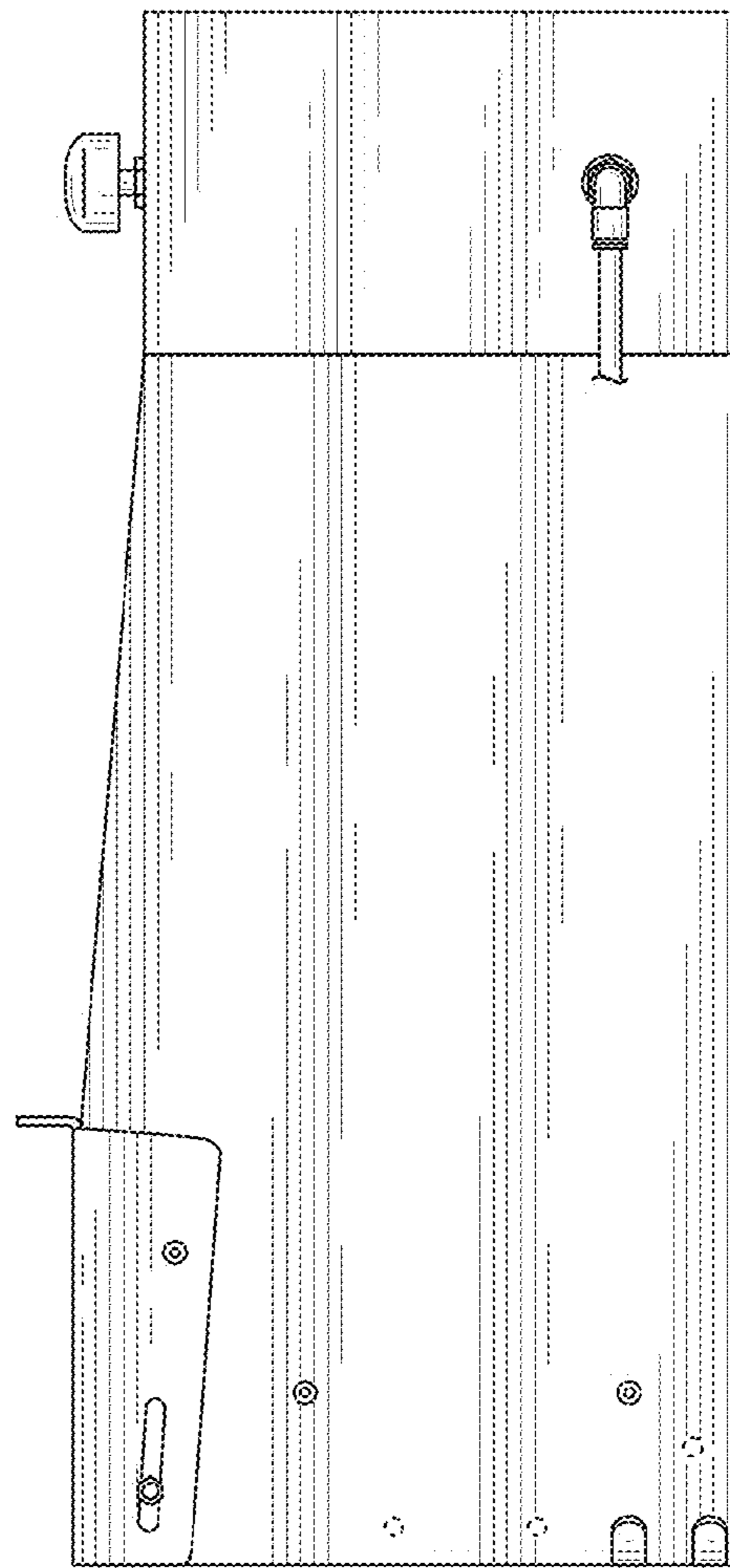


FIG. 6

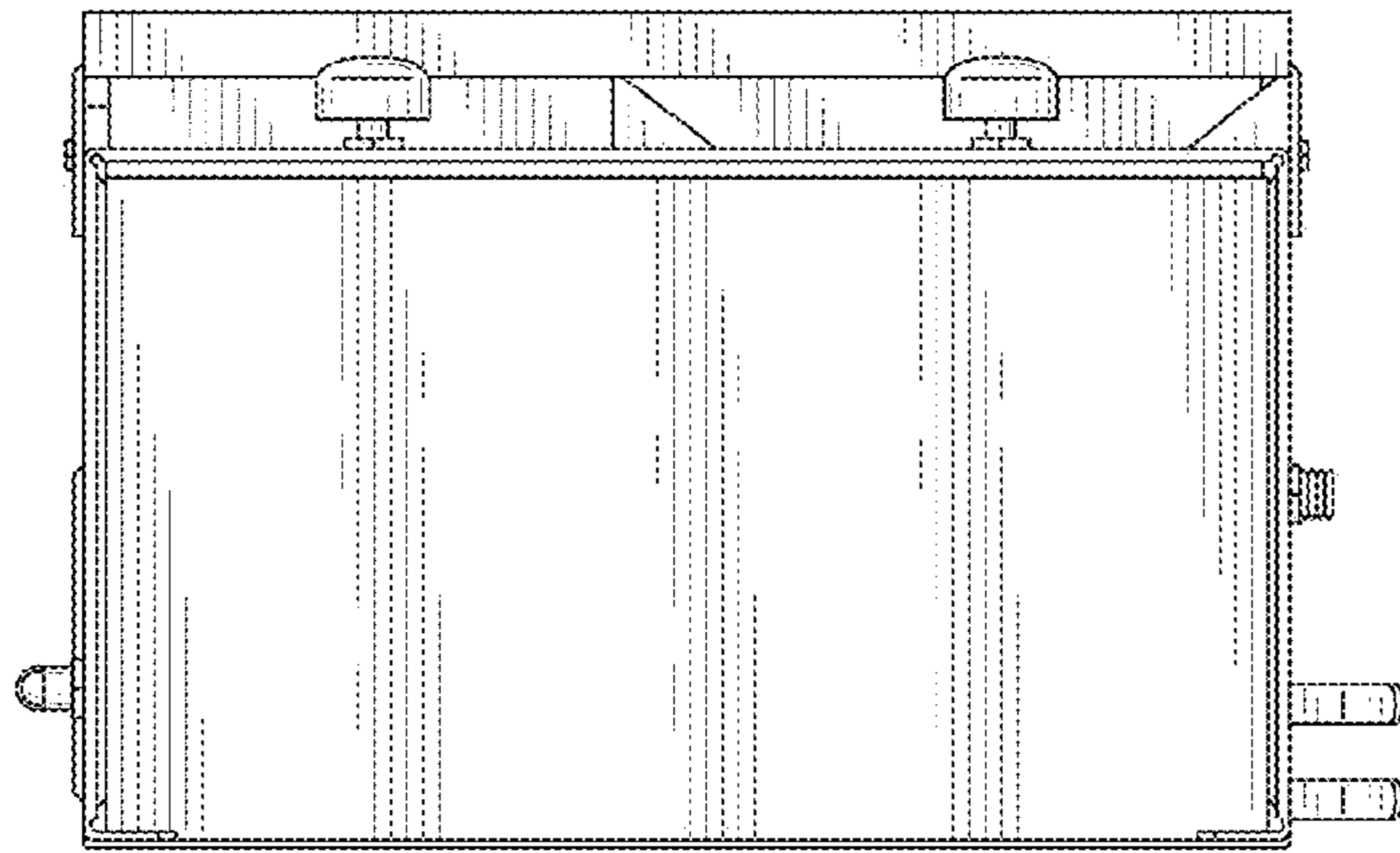


FIG. 7

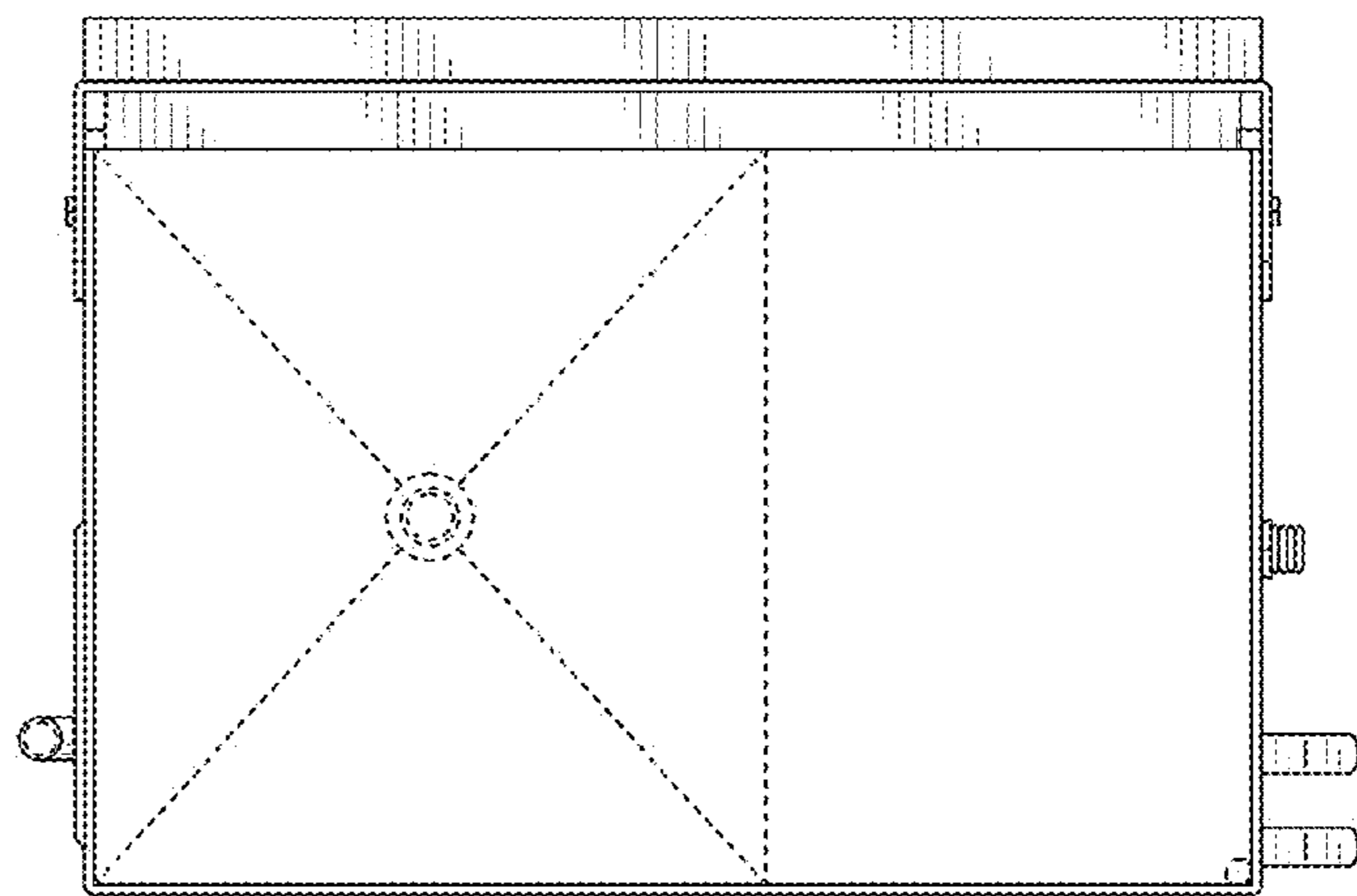


FIG. 8

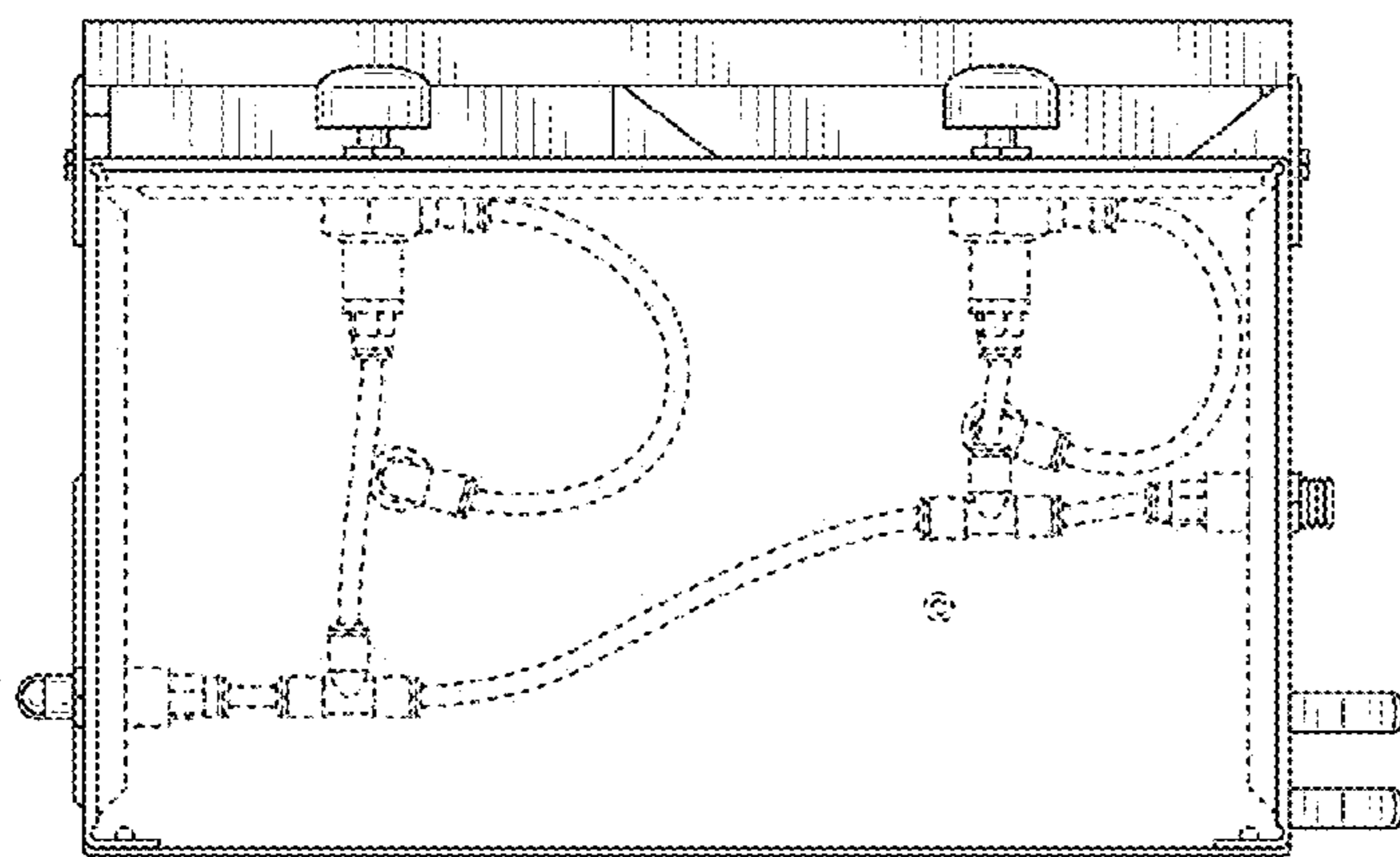


FIG. 9