

US00D733368S

(12) **United States Design Patent**  
**Martinez**

(10) **Patent No.:** **US D733,368 S**  
(45) **Date of Patent:** **\*\* Jun. 30, 2015**

- (54) **VERTICAL SCREEN WASHER**
- (71) Applicant: **Jared Anthony Martinez**, Aztec, NM (US)
- (72) Inventor: **Jared Anthony Martinez**, Aztec, NM (US)

5,769,956 A	6/1998	Cord	
D489,848 S	5/2004	Shepard	
D497,043 S *	10/2004	Blikian	D32/27
D547,911 S	7/2007	Subotic	
D595,911 S *	7/2009	Rutkowski et al.	D32/25
D647,673 S *	10/2011	Sajakorpi et al.	D32/25
D704,855 S *	5/2014	Tipton et al.	D24/217
2007/0151302 A1 *	7/2007	Kendall et al.	68/3 R

(\*\*) Term: **14 Years**

(21) Appl. No.: **29/433,954**

(22) Filed: **Oct. 7, 2012**

(51) **LOC (10) Cl.** ..... **15-05**

(52) **U.S. Cl.**  
USPC ..... **D32/1**

(58) **Field of Classification Search**  
USPC ..... D32/1, 15, 16, 25, 8, 65; 134/199-201;  
34/77; 239/80; 68/3 R, 21, 12.13, 43,  
68/22 A; D34/5, 12-27  
See application file for complete search history.

(56) **References Cited**

**U.S. PATENT DOCUMENTS**

105,585 A *	7/1870	Marshall	162/6
298,613 A *	5/1884	Newman	68/3 R
1,348,443 A	8/1920	Piggott	
1,421,462 A *	7/1922	Hall	68/136
1,632,739 A *	6/1927	Martin	209/258
1,861,179 A	5/1932	Gray	
2,101,841 A *	12/1937	Dinley	202/170
2,546,288 A	3/1951	Zucker	
3,590,413 A *	7/1971	Coulson, Jr.	15/38
3,656,493 A	4/1972	Black	
3,783,469 A *	1/1974	Siemund	15/209.1
3,855,658 A	12/1974	Ford	
D254,009 S	1/1980	Stokebrand	
4,257,138 A	3/1981	Clements	
5,186,193 A	2/1993	Gullberg	
5,398,363 A	3/1995	Medearis	
5,482,067 A *	1/1996	Wittrock et al.	137/135
5,579,788 A *	12/1996	Ammermann et al.	134/64 R

**FOREIGN PATENT DOCUMENTS**

CN	301330336	*	8/2010
KR	300489550-0000	*	5/2007

**OTHER PUBLICATIONS**

IPC Eagle screen washer YouTube video, dated Jul. 8, 2011 [online], [site visited Nov. 25, 2014], <<http://www.youtube.com/watch?v=3Y1cL-SZyvE>>.\*

\* cited by examiner

*Primary Examiner* — John Windmuller

*Assistant Examiner* — John R Yeh

(74) *Attorney, Agent, or Firm* — QuickPatents; Kevin Prince

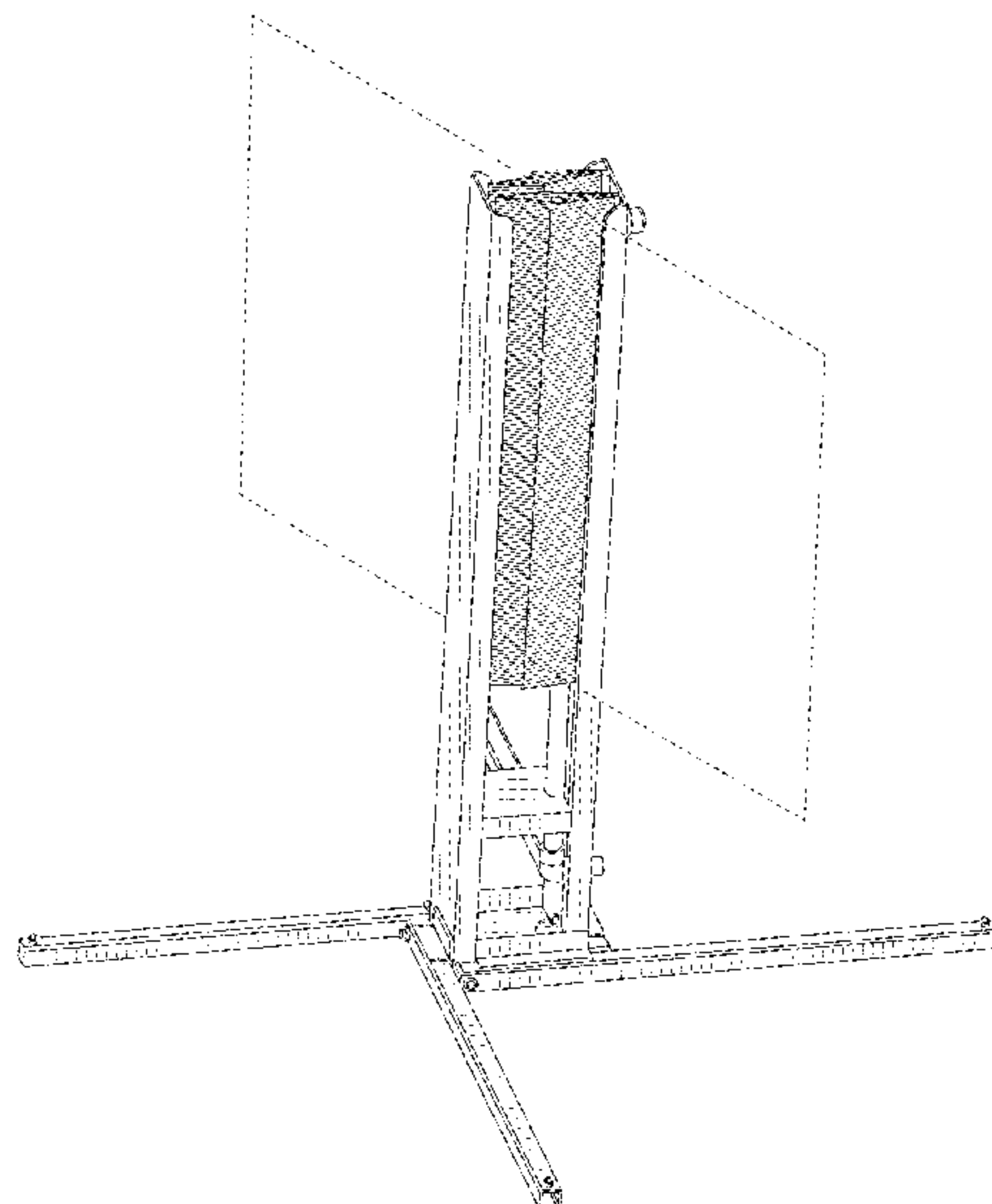
(57) **CLAIM**

I claim the ornamental design for a vertical screen washer, as shown and described.

**DESCRIPTION**

FIG. 1 is a perspective view of a vertical screen washer, showing my new design;  
FIG. 2 is a front elevational view thereof;  
FIG. 3 is a rear elevational view thereof;  
FIG. 4 is a right-side elevational view thereof;  
FIG. 5 is a left-side elevational view thereof;  
FIG. 6 is a top plan view thereof; and,  
FIG. 7 is a bottom plan view thereof.  
The broken lines showing a screen in FIG. 1 depict environmental matter and form no part of the claimed design.

**1 Claim, 4 Drawing Sheets**



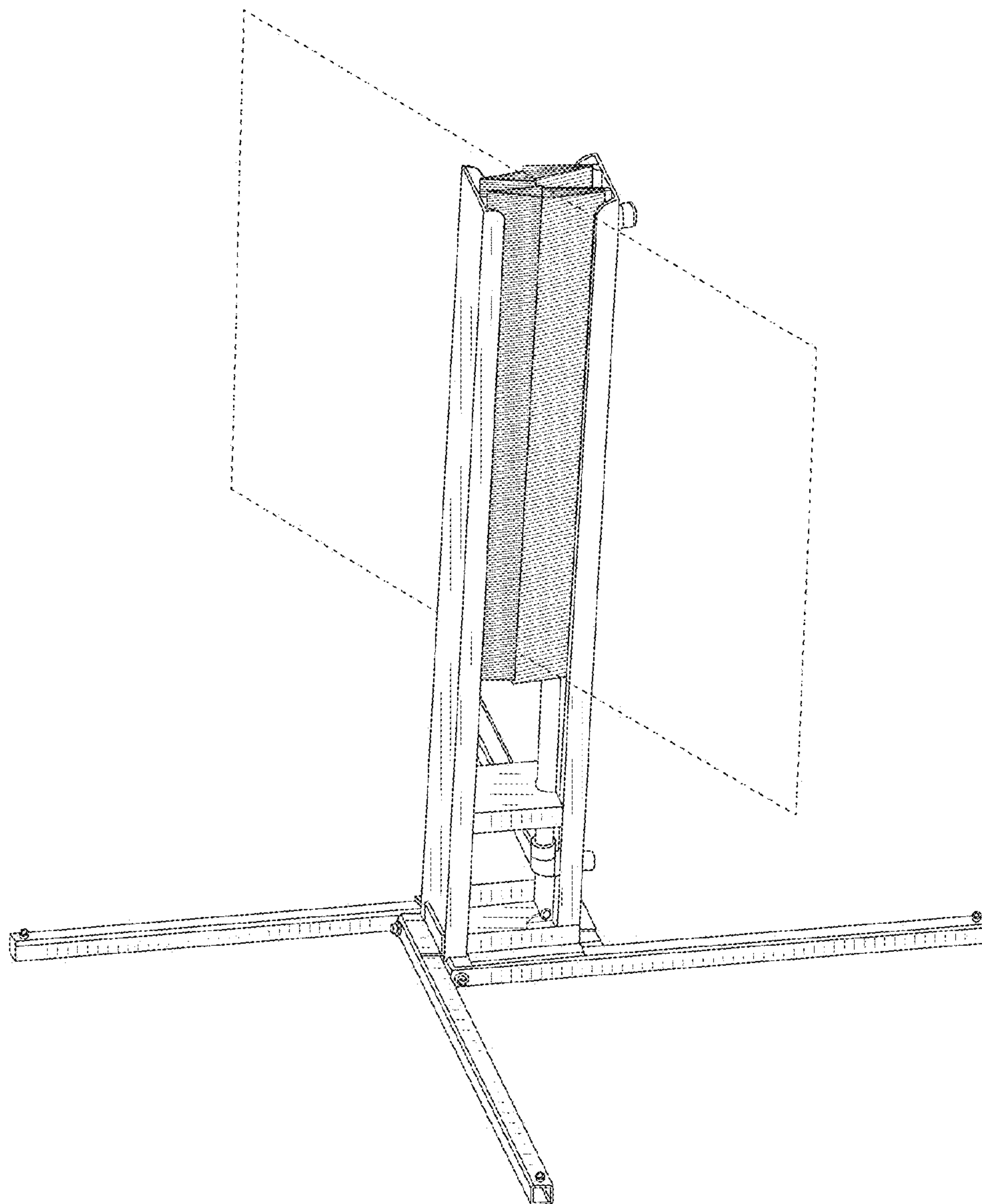


FIG. 1

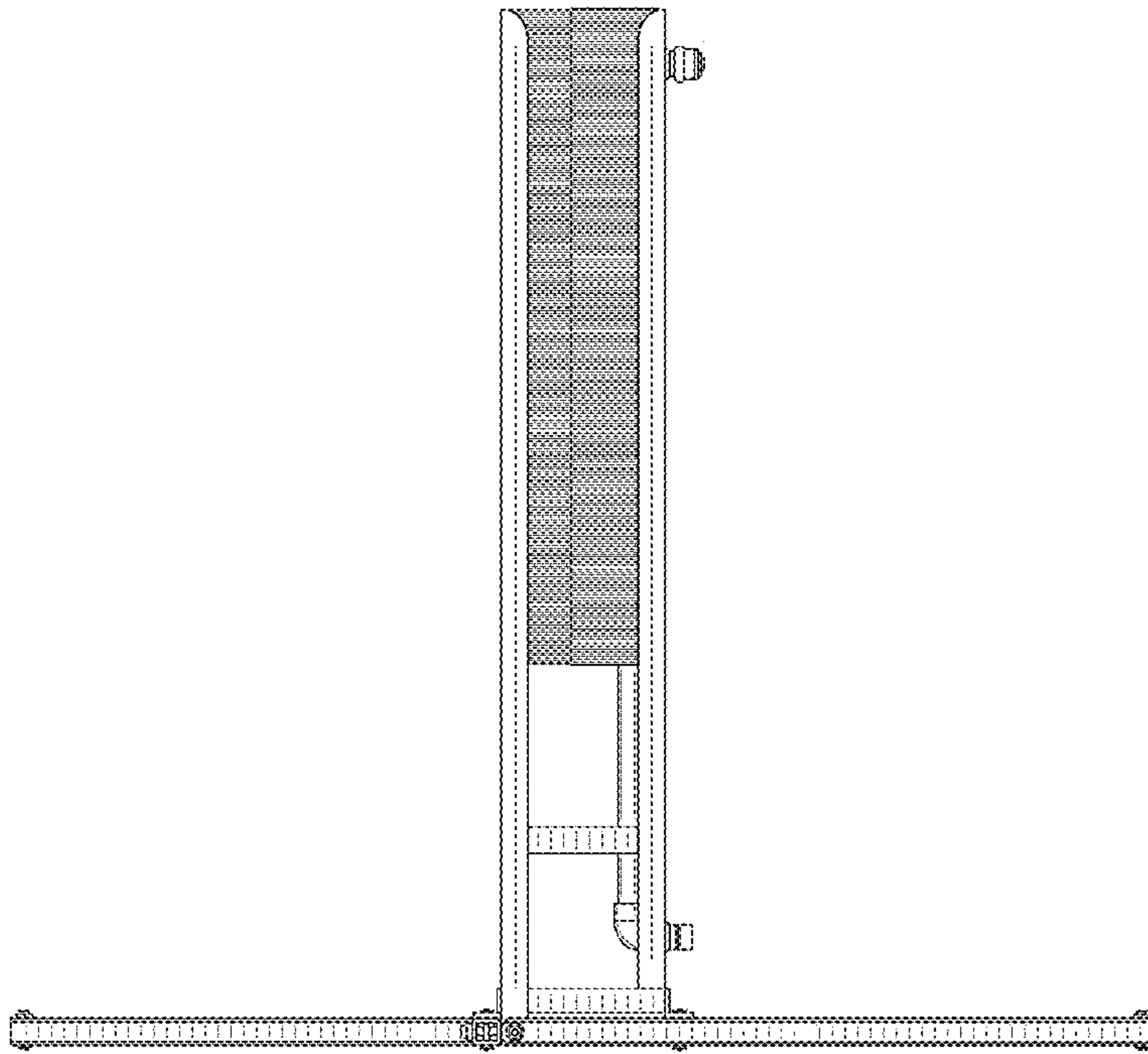


FIG. 2

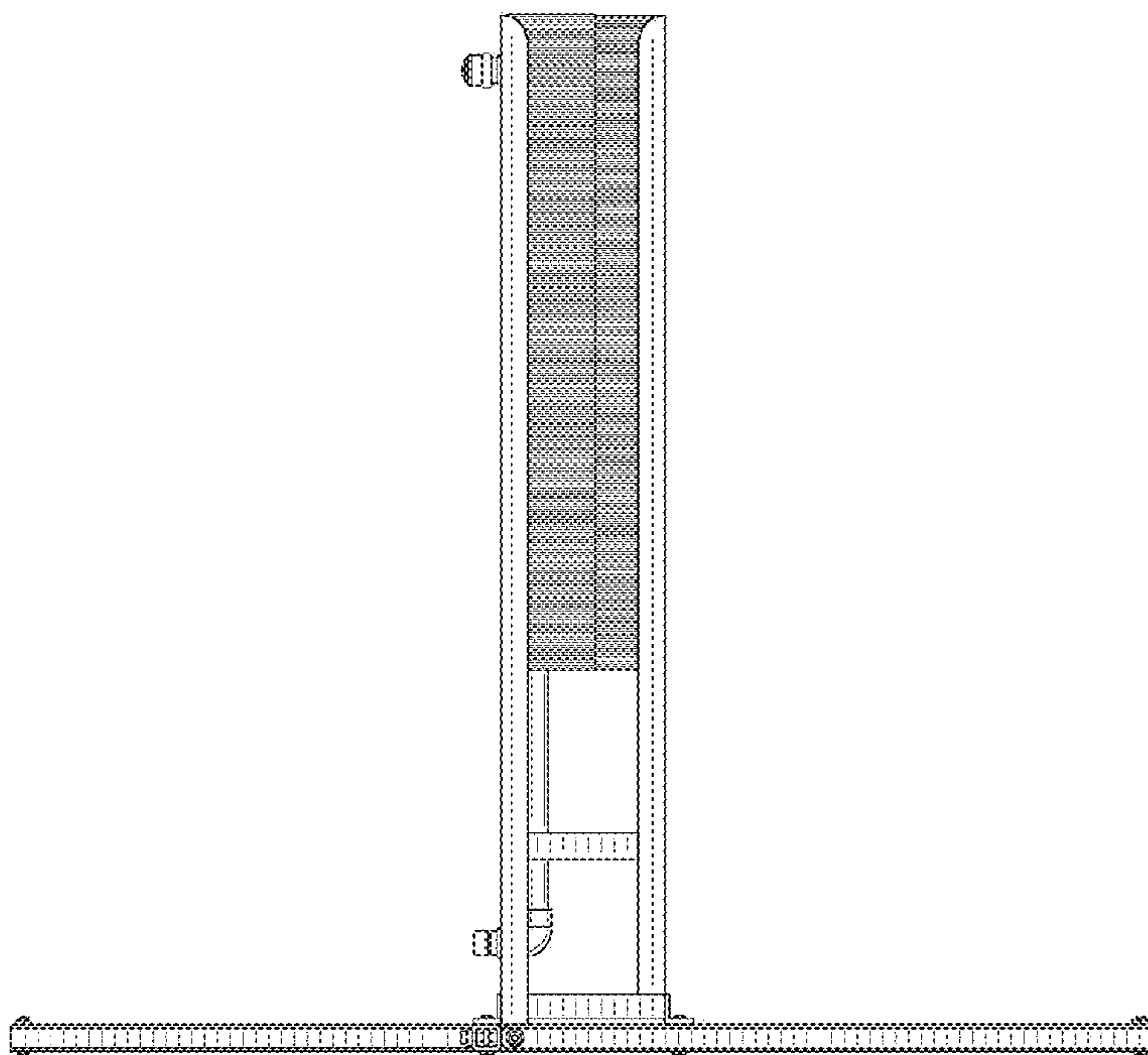


FIG. 3

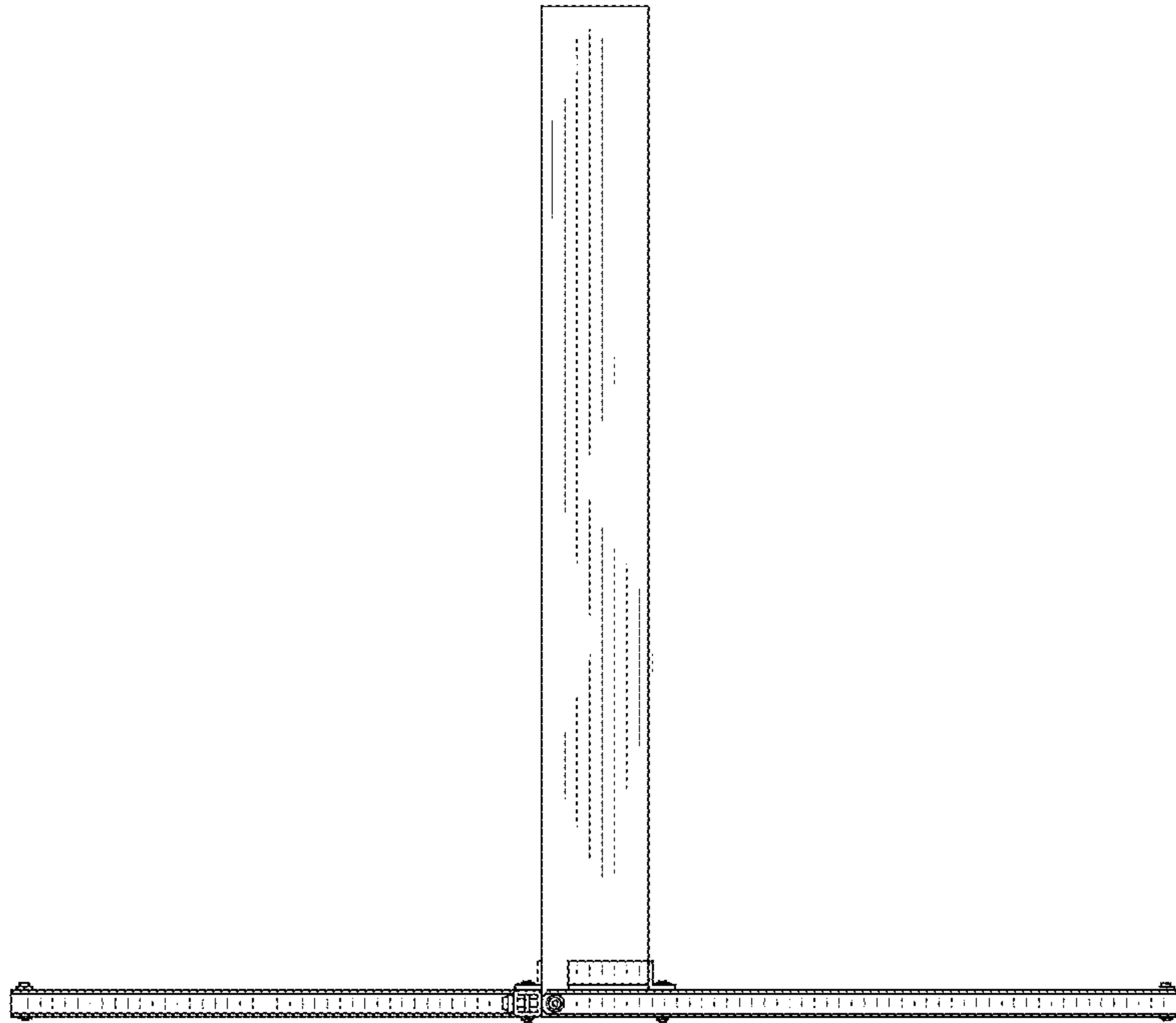


FIG. 4

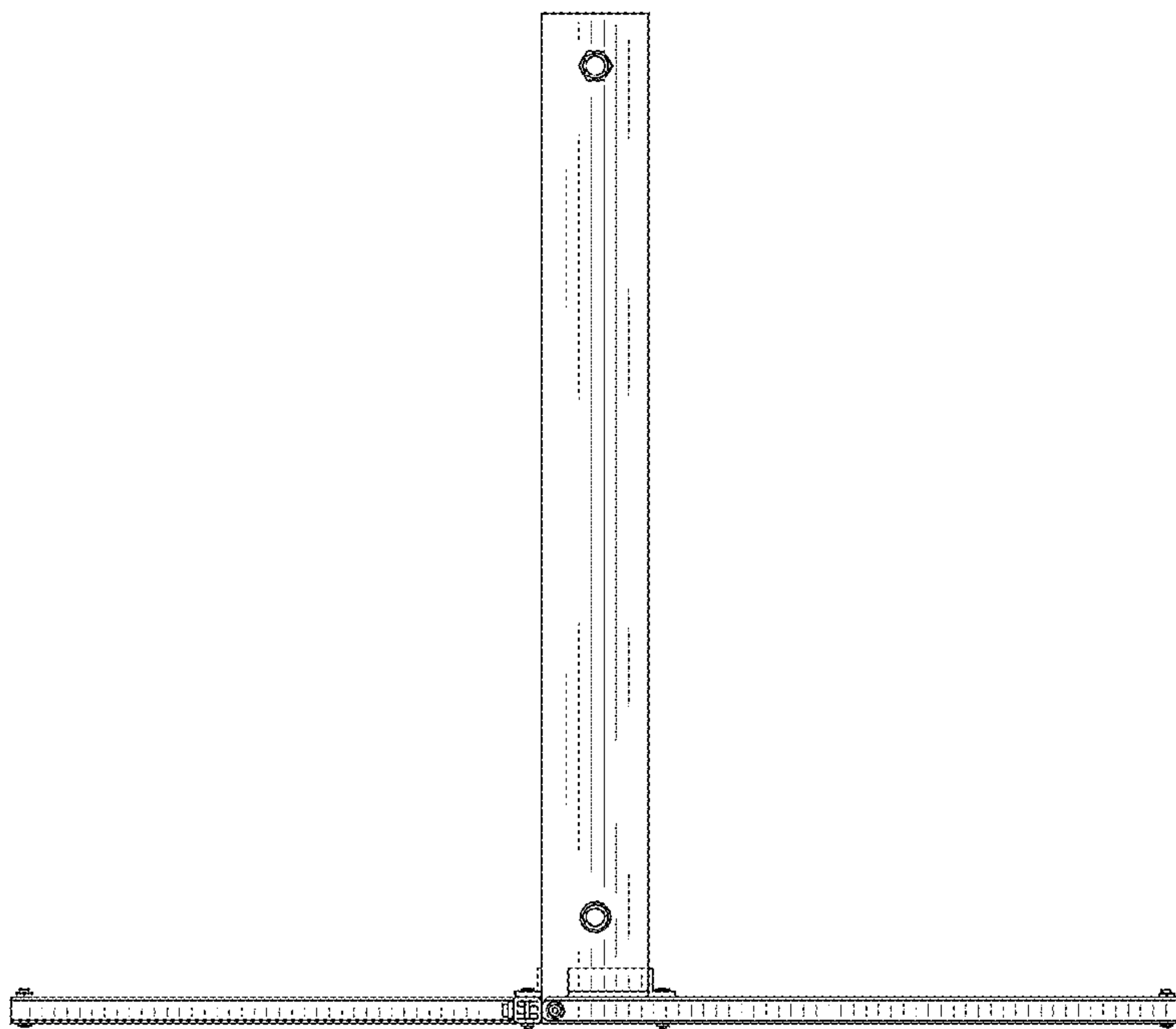


FIG. 5

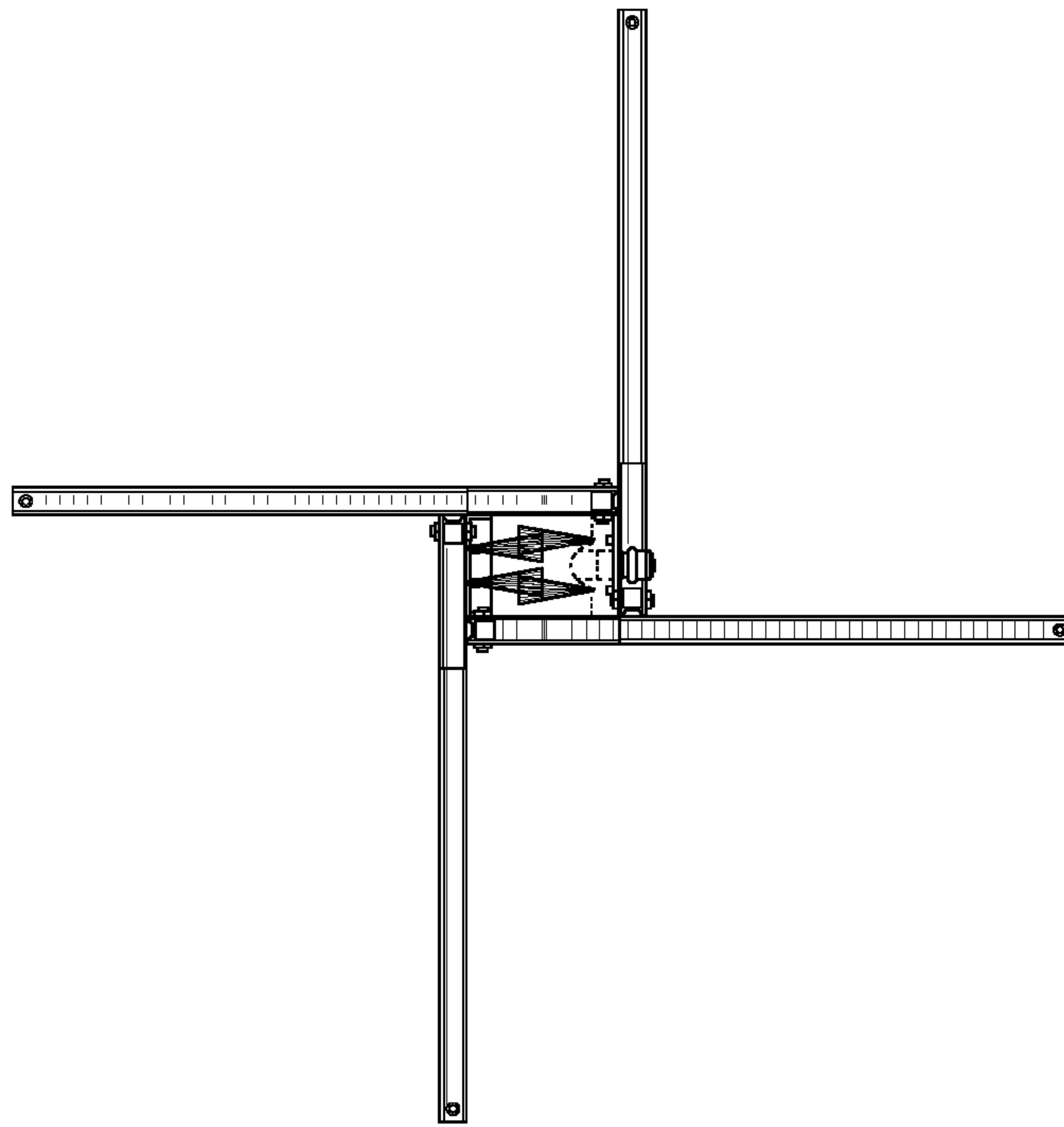


FIG. 6

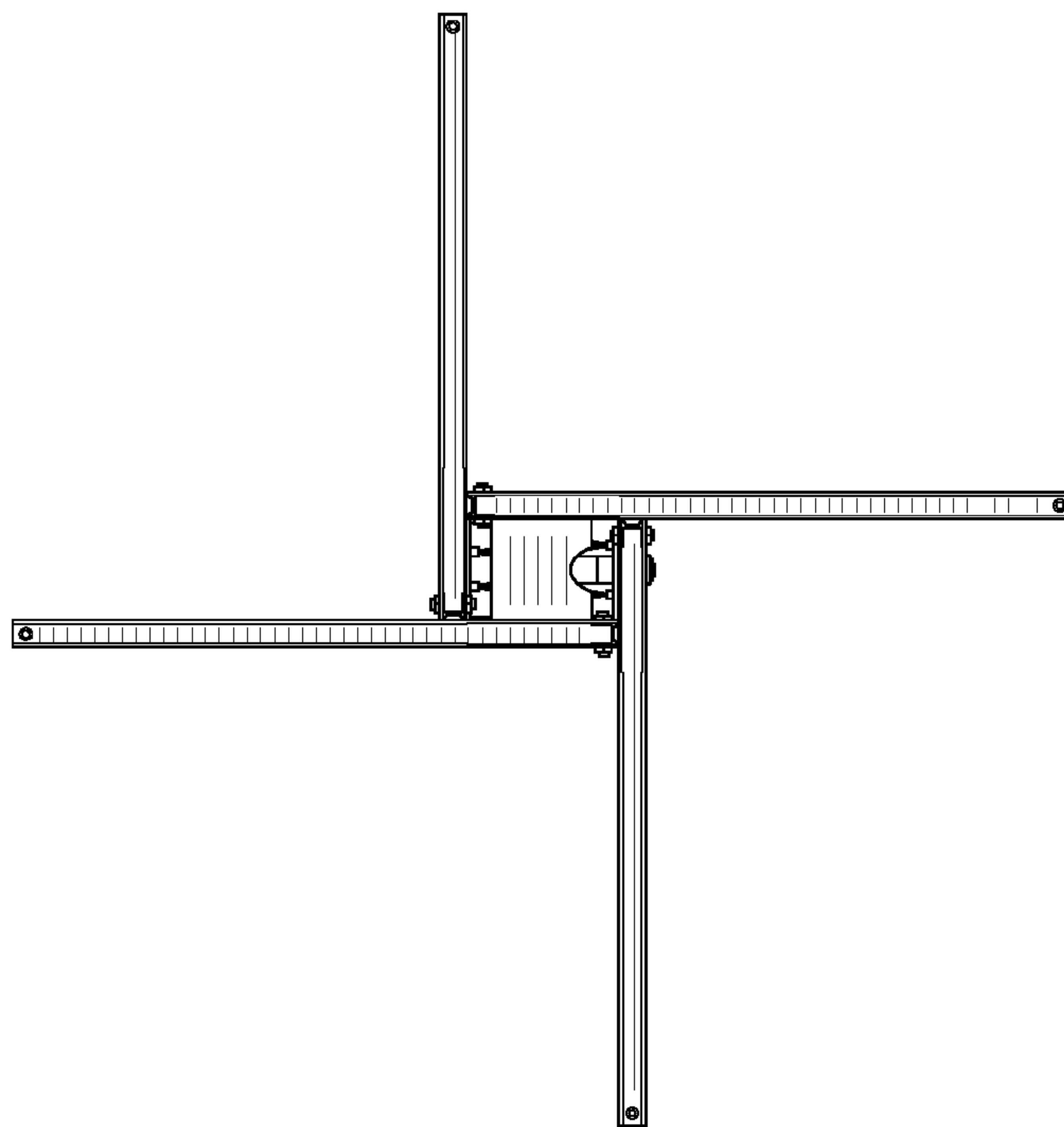


FIG. 7