



US00D733362S

(12) **United States Design Patent**
Weimar

(10) **Patent No.:** **US D733,362 S**
(45) **Date of Patent:** **** Jun. 30, 2015**

(54) **FINGERNAIL PROTECTOR APPARATUS**

(76) Inventor: **Ruth Bowyer Weimar**, Savannah, GA
(US)

(**) Term: **14 Years**

(21) Appl. No.: **29/421,716**

(22) Filed: **Sep. 7, 2012**

(51) **LOC (10) Cl.** **02-03**

(52) **U.S. Cl.**
USPC **D29/114**

(58) **Field of Classification Search**

USPC D2/610, 611, 612, 613, 614, 615, 616,
D2/617, 618, 619, 620, 621, 622, 623;
D3/215, 218, 224, 226, 235, 271.2, 29;
D4/103; D21/807; D28/63; D32/40,
D32/41, 42, 43; 2/159, 162, 168; 15/227;
294/25

See application file for complete search history.

(56) **References Cited**

U.S. PATENT DOCUMENTS

617,929 A * 1/1899 Fowble 2/21
942,003 A * 11/1909 Marsh 294/25

(Continued)

FOREIGN PATENT DOCUMENTS

KR 300584641.0000 * 1/2011

Primary Examiner — Karen E Eldridge Powers

(74) *Attorney, Agent, or Firm* — Sonya C. Harris; Invention Services

(57) **CLAIM**

The ornamental design for a fingernail protector apparatus, as shown and described.

DESCRIPTION

FIG. 1 is a left side elevational view of my design;
FIG. 2 is a bottom left perspective view of my design;

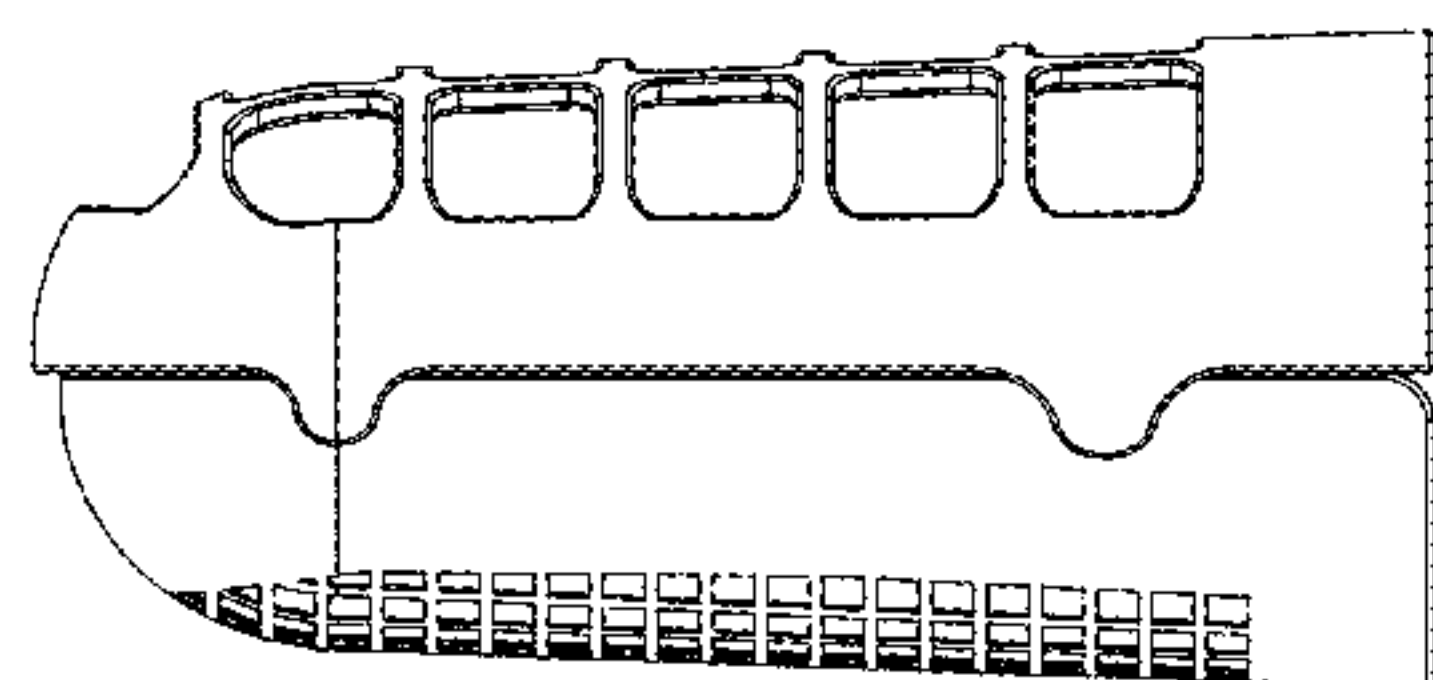
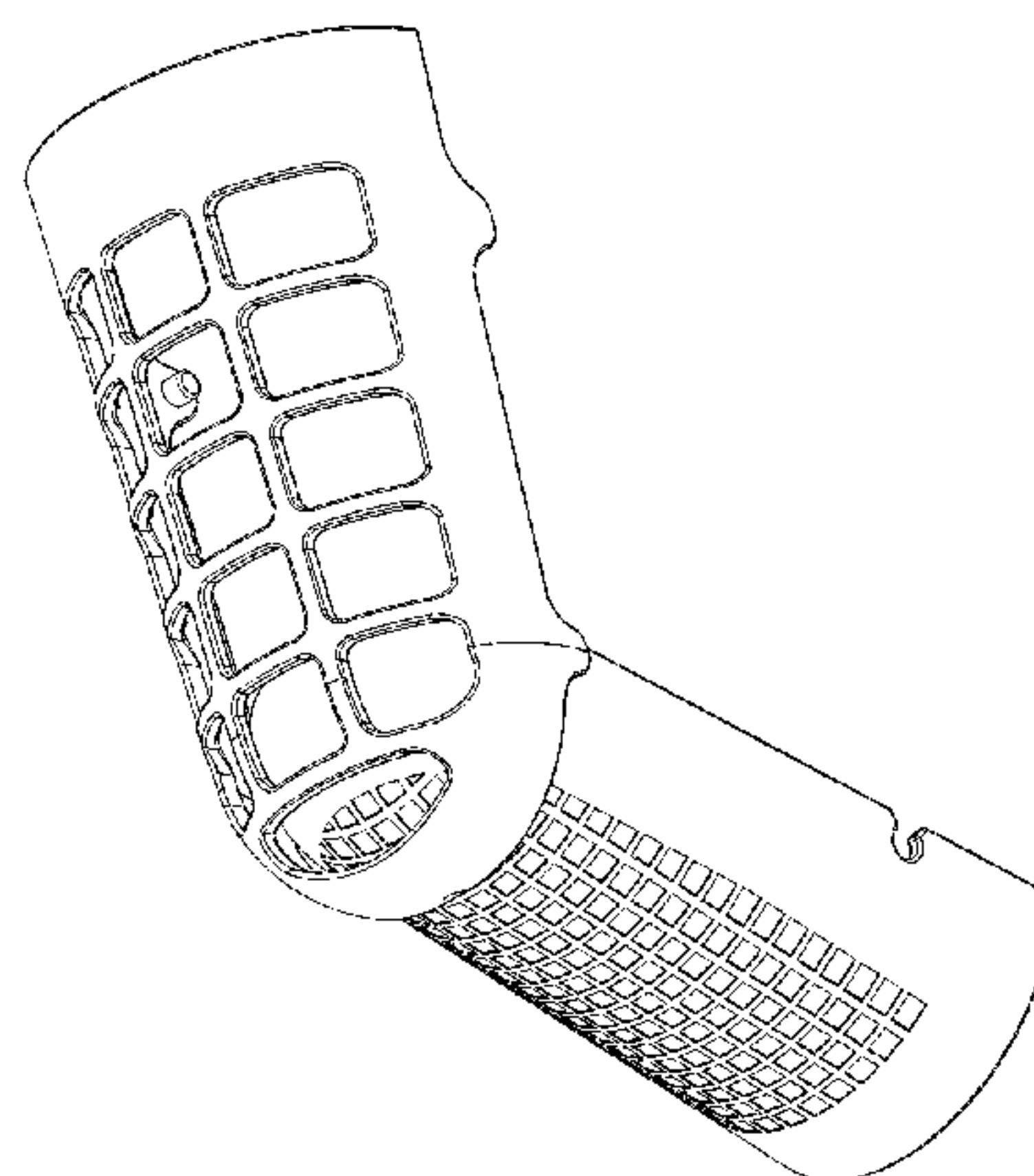


FIG. 3 is an enlarged front elevational view of my design;
FIG. 4 is a bottom left front perspective view of my design;
FIG. 5 is a bottom plan view of my design;
FIG. 6 is a left side elevational view of my design, shown in an open configuration;
FIG. 7 is a front elevational view of my design, shown in an open configuration;
FIG. 8 is a rear elevational view of my design, shown in an open configuration;
FIG. 9 is a bottom front perspective view of my design, shown in an open configuration,
FIG. 10 is a bottom plan view of my design, shown in an open configuration;
FIG. 11 is a bottom rear perspective view of my design, shown in an open configuration;
FIG. 12 is a front left perspective view of the upper portion of my design;
FIG. 13 is a top plan view of the upper portion of my design;
FIG. 14 is a rear left perspective view of the upper portion of my design;
FIG. 15 is a front elevational view of the upper portion of my design;
FIG. 16 is a left side elevational view of the upper portion of my design;
FIG. 17 is a rear elevational view of the upper portion of my design;
FIG. 18 is a bottom front left side perspective view of the upper portion of my design;
FIG. 19 is a bottom plan view of the upper portion of my design;
FIG. 20 is a bottom rear left side perspective view of the upper portion of my design;
FIG. 21 is a left side elevational view of the bottom portion of my design;
FIG. 22 is an enlarged front elevational view of the bottom portion of my design;
FIG. 23 is a left side elevational view of the bottom portion of my design; and,
FIG. 24 is a left side perspective view of my design in an open configuration.
The upper and lower portions shown separately in FIGS. 12-23 are depicted individually for clarity of illustration. The broken lines in FIG. 24 depict environmental structure that forms no part of the claimed design.

1 Claim, 13 Drawing Sheets



(56)

References Cited

U.S. PATENT DOCUMENTS

1,761,356 A * 6/1930 McNamara 294/25
2,129,496 A * 9/1938 Hollingsworth 2/21
D112,752 S * 12/1938 Douglas et al. D29/114
D168,689 S * 1/1953 Jones D29/114

D170,260 S * 8/1953 Jones D29/114
D208,047 S * 7/1967 Brophy D3/29
D335,938 S * 5/1993 Kam D29/114
7,802,315 B2 * 9/2010 Contant et al. 2/161.1
2007/0118947 A1 * 5/2007 Lorenzo 2/21
2014/0090179 A1 * 4/2014 Stacy 7/113

* cited by examiner

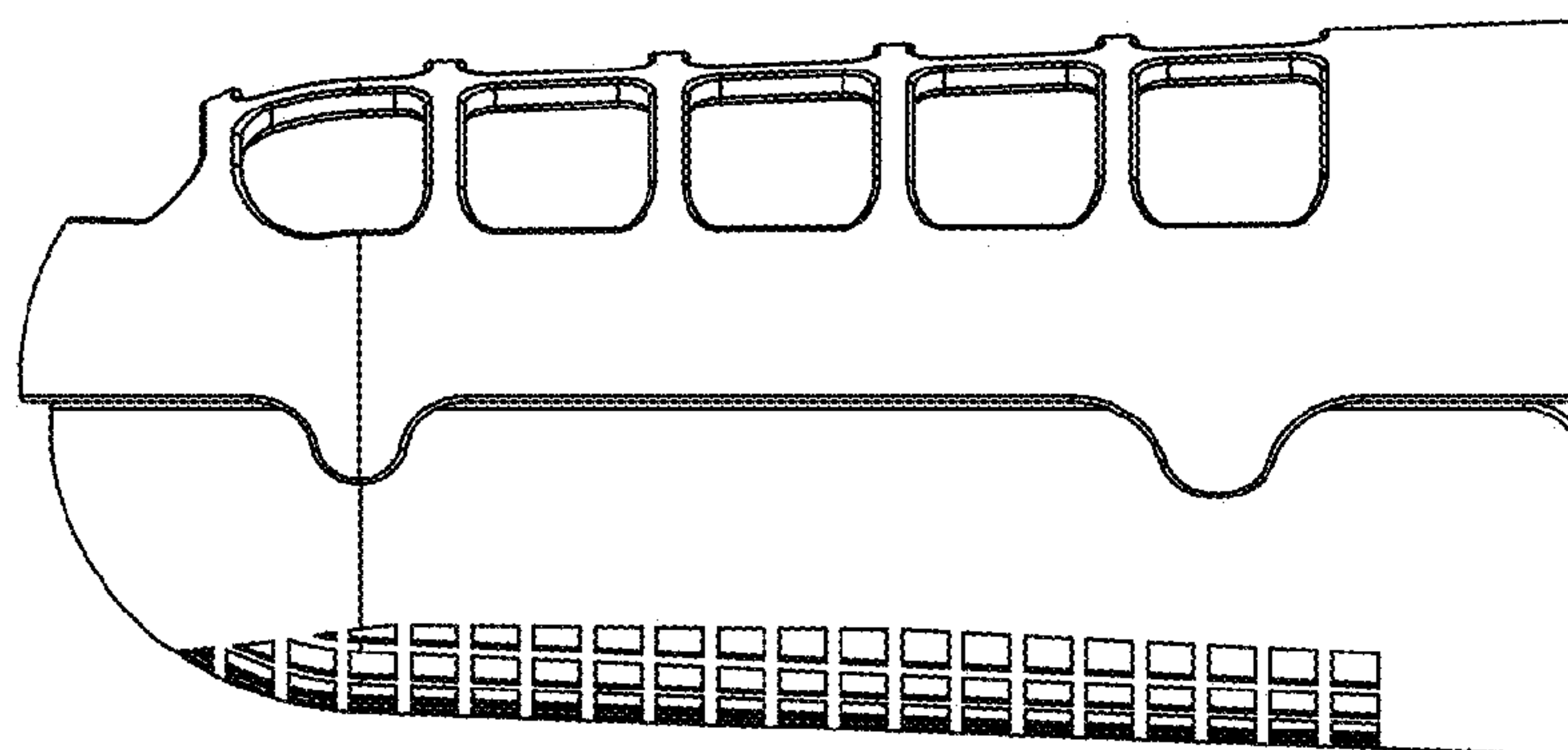


FIG. 1

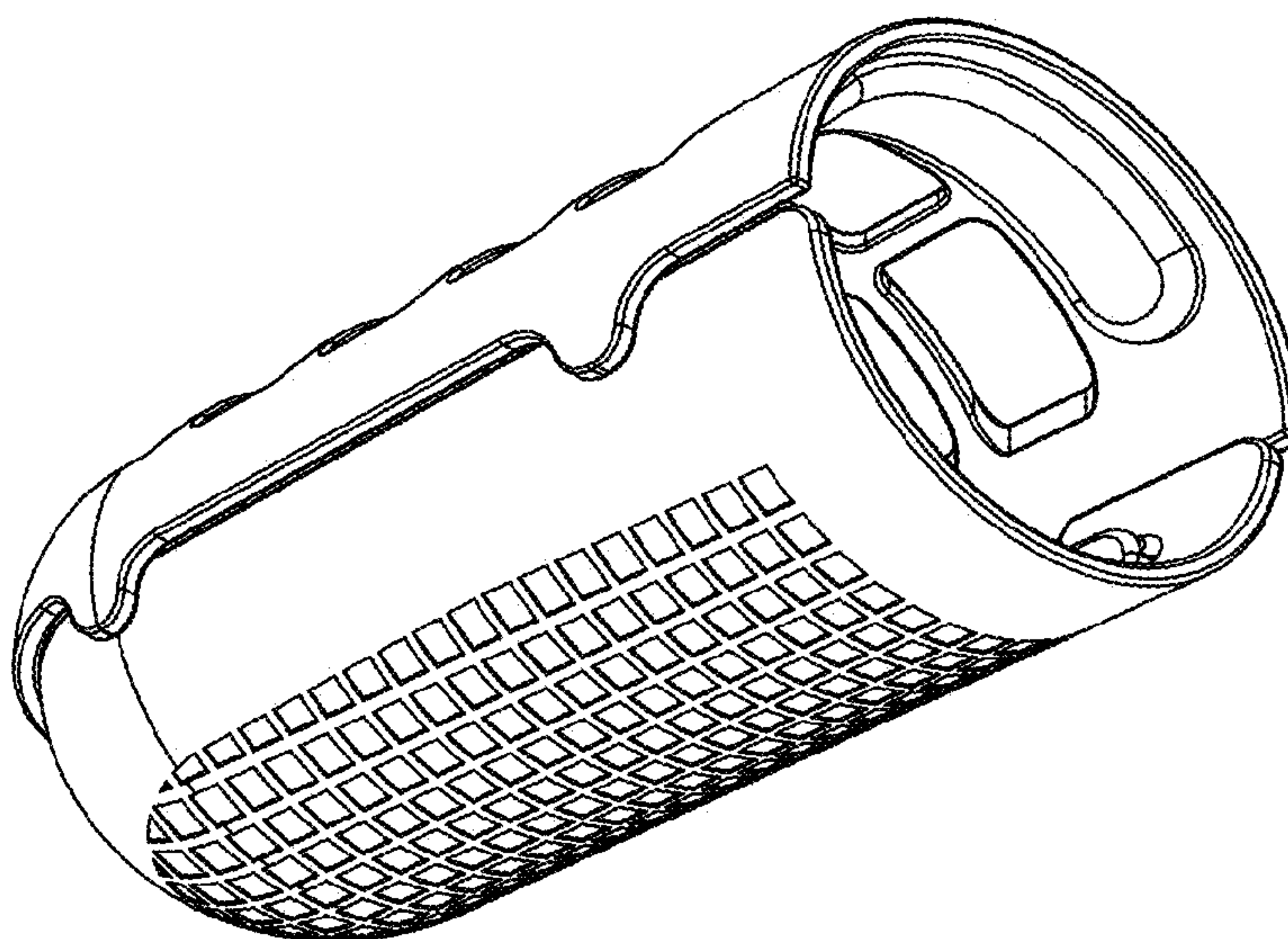


FIG. 2

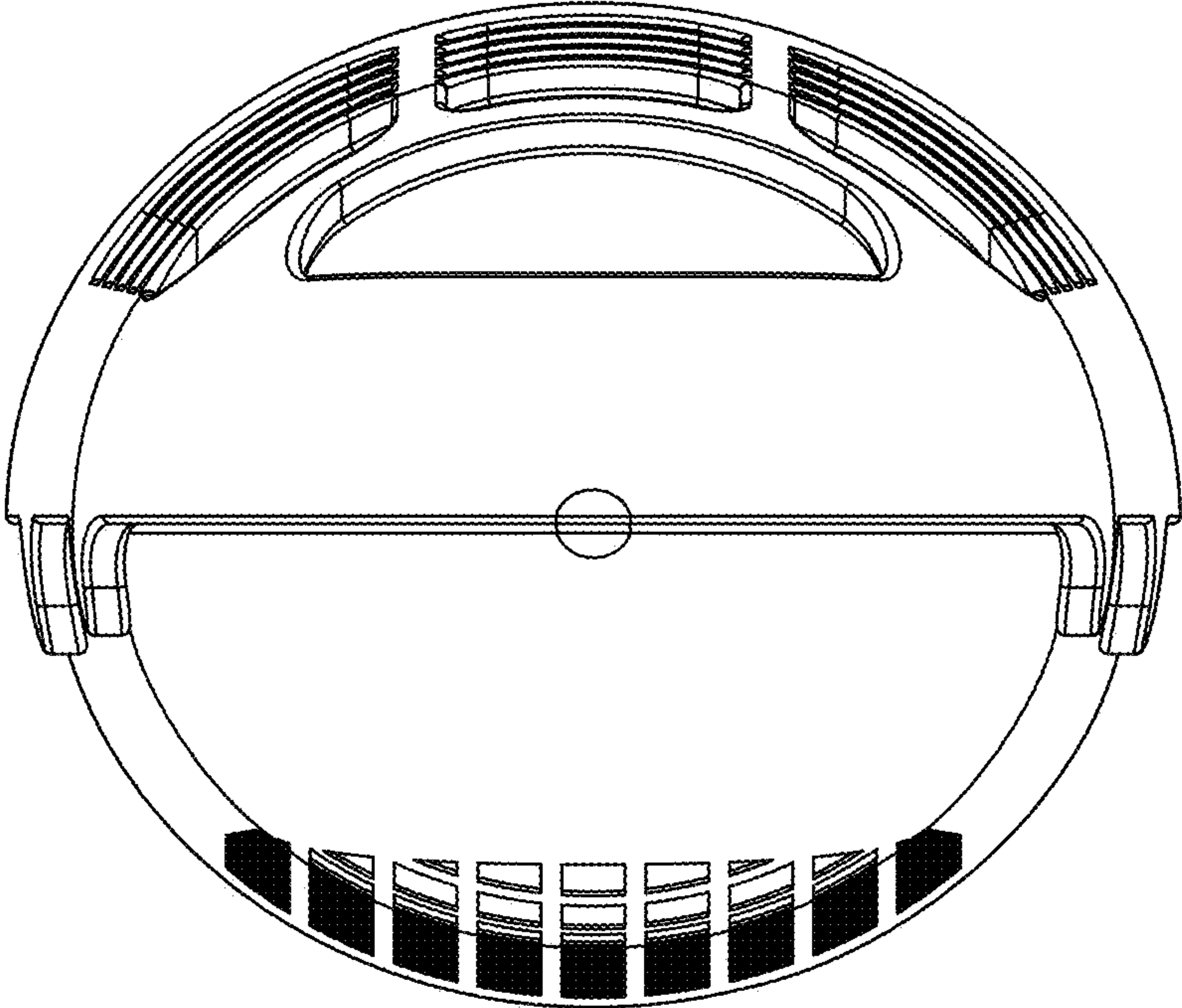


FIG. 3

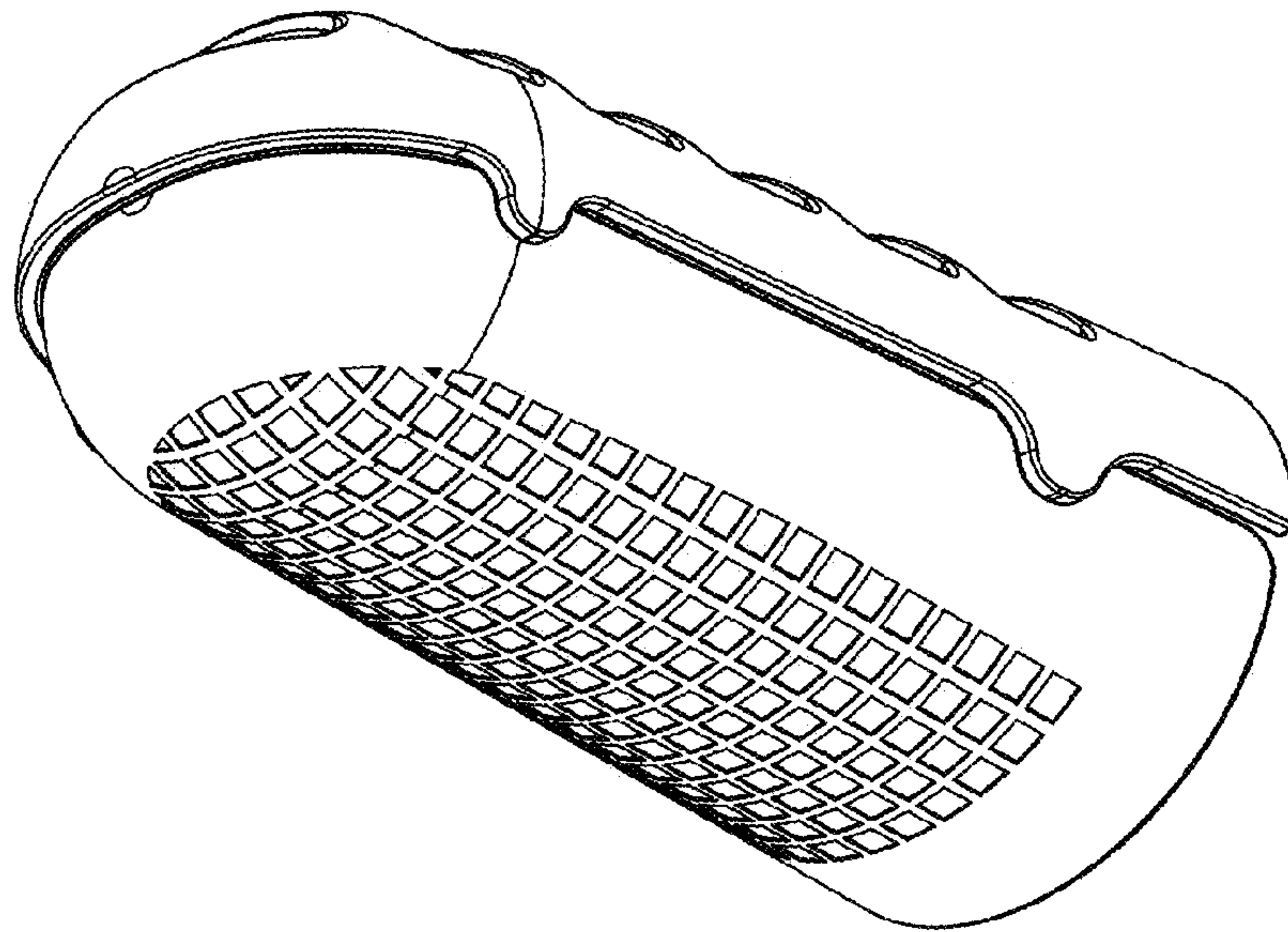


FIG. 4

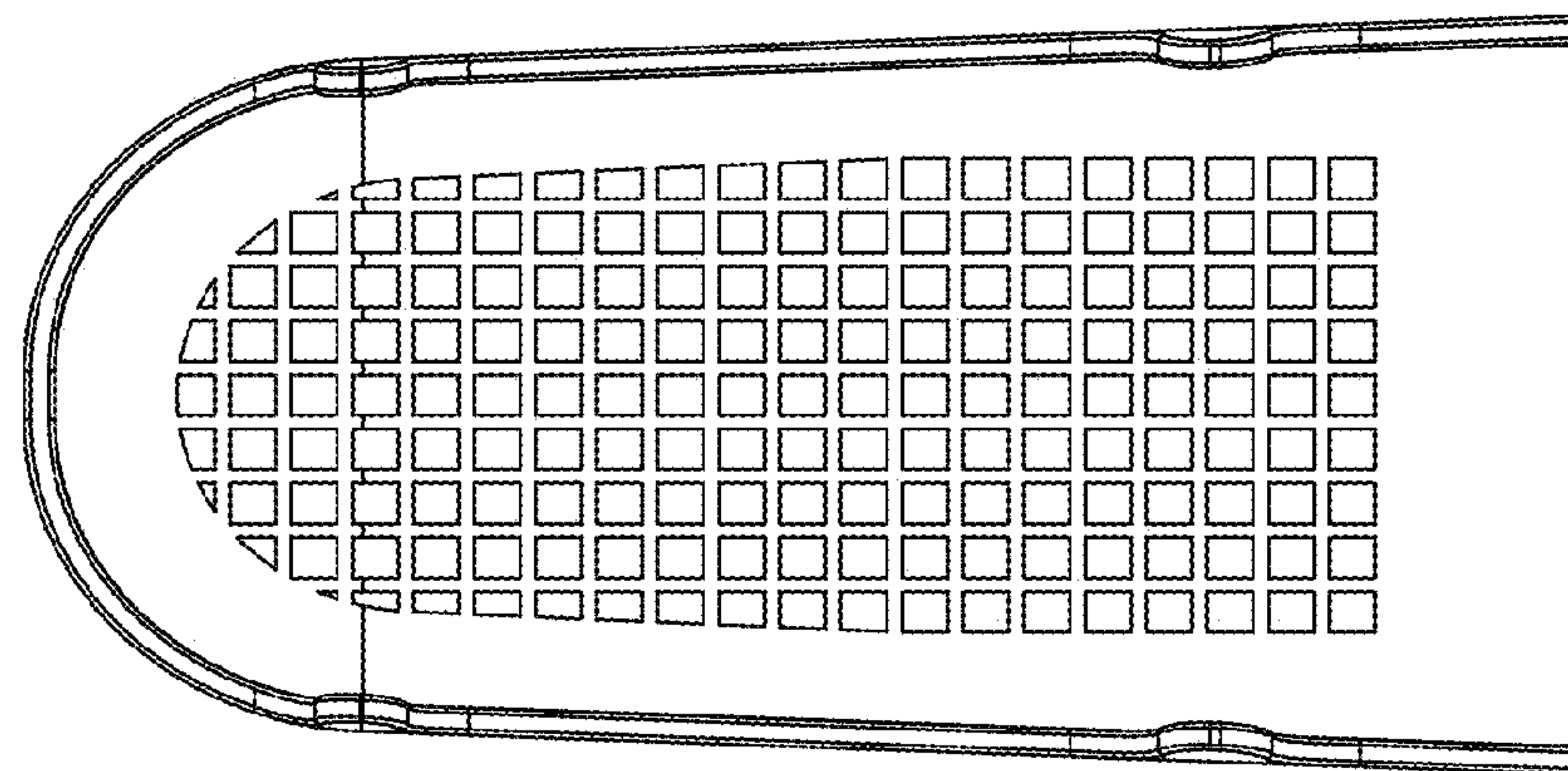


FIG. 5

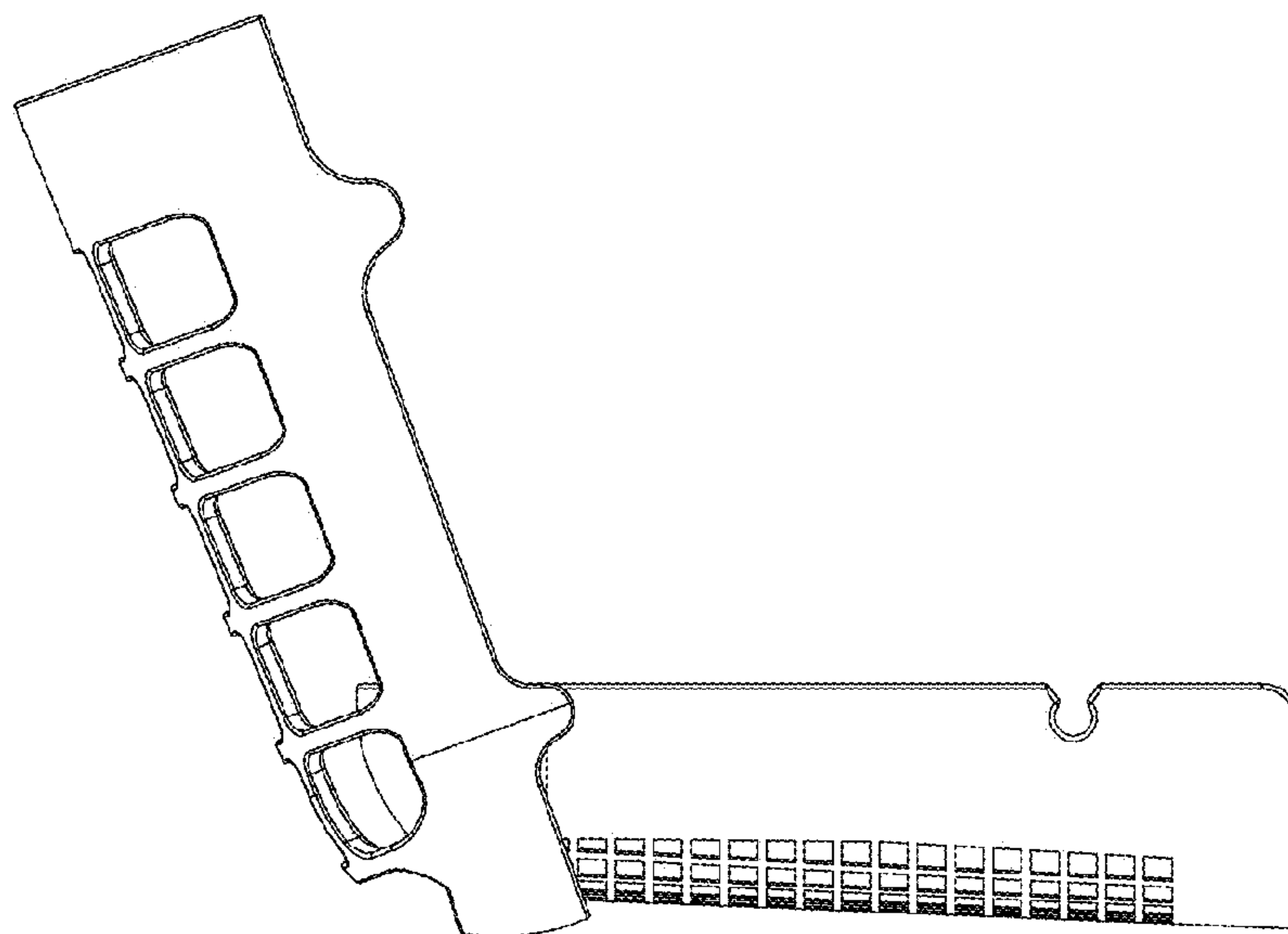


FIG. 6

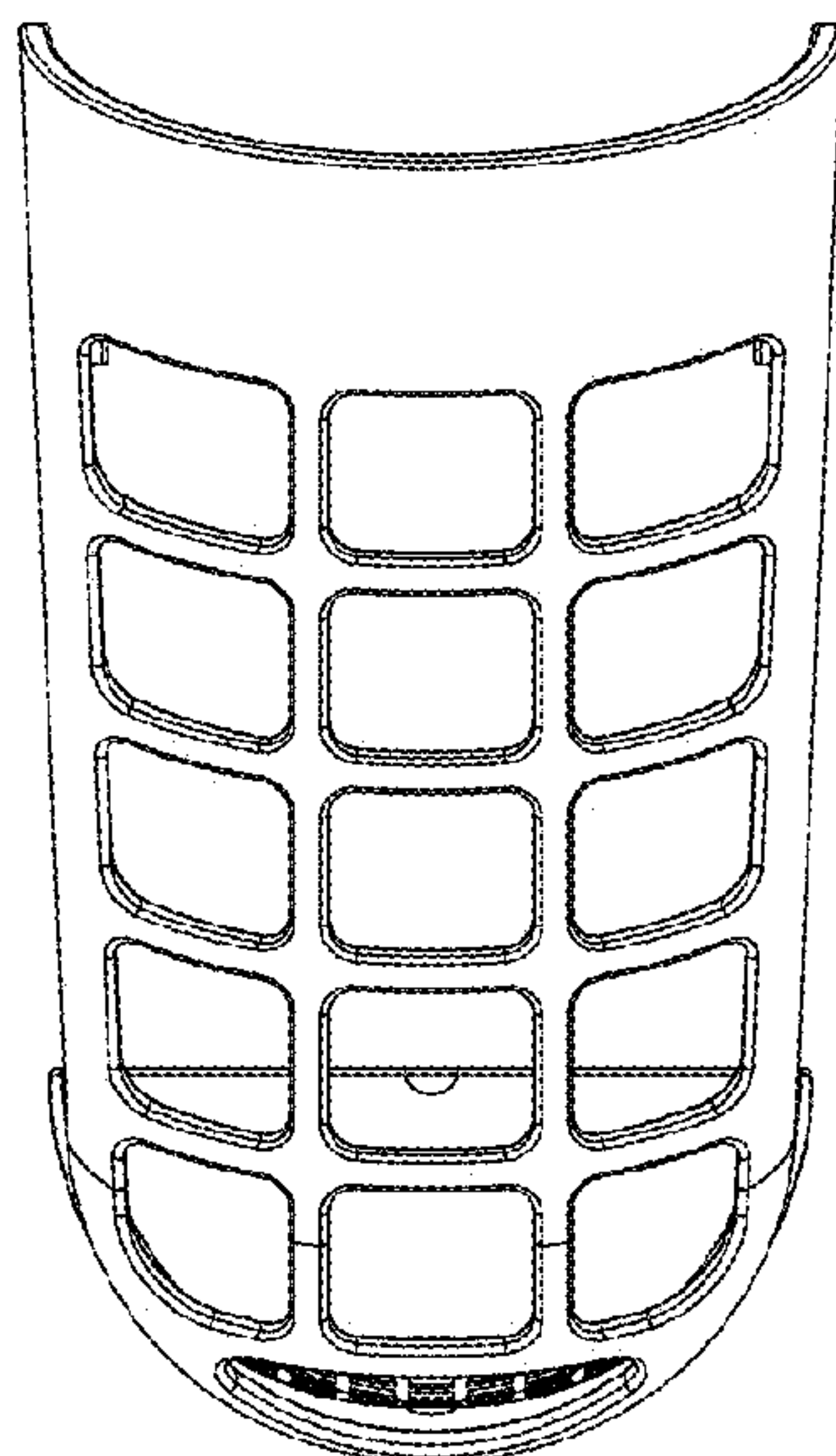


FIG. 7

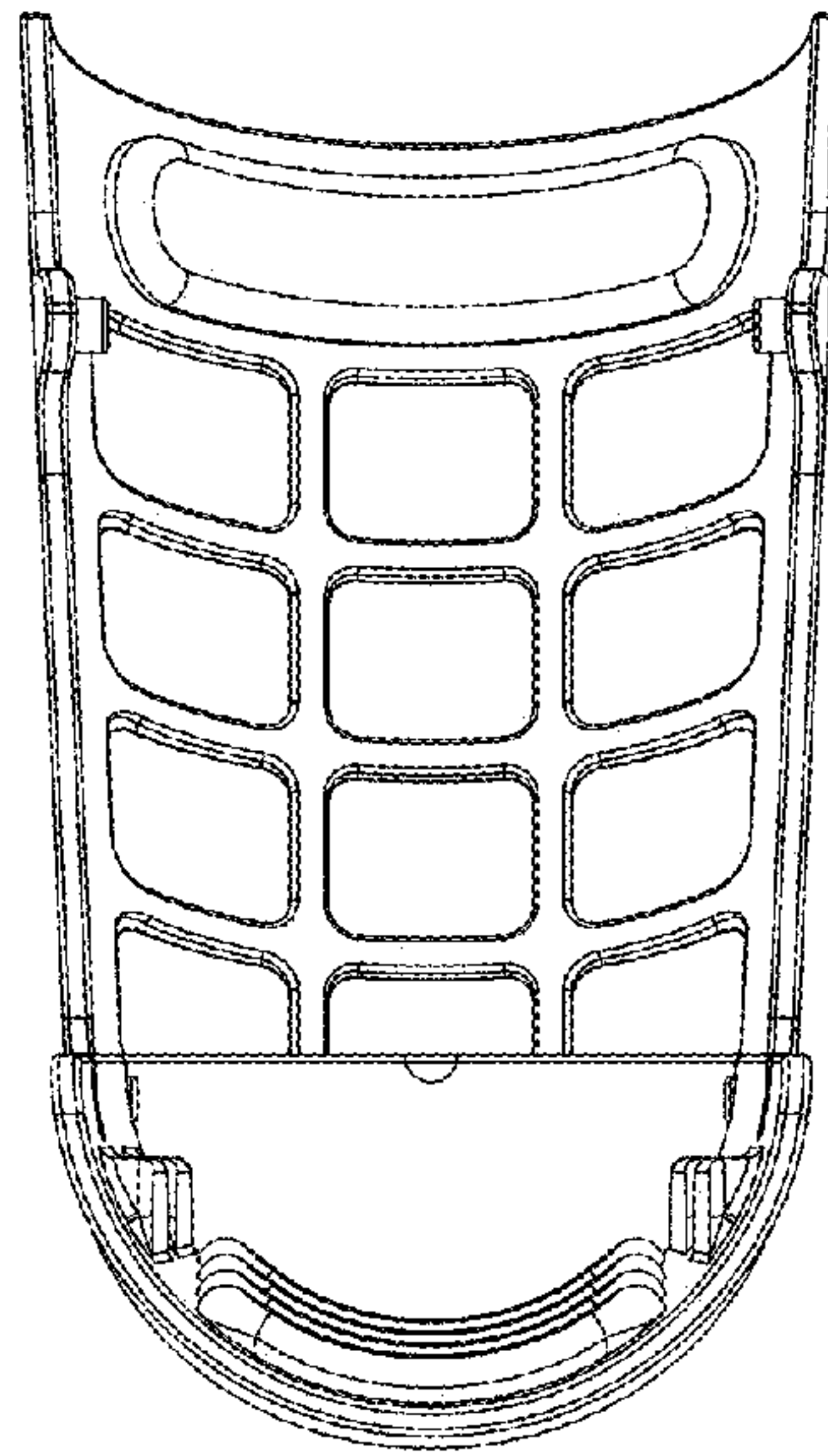


FIG. 8

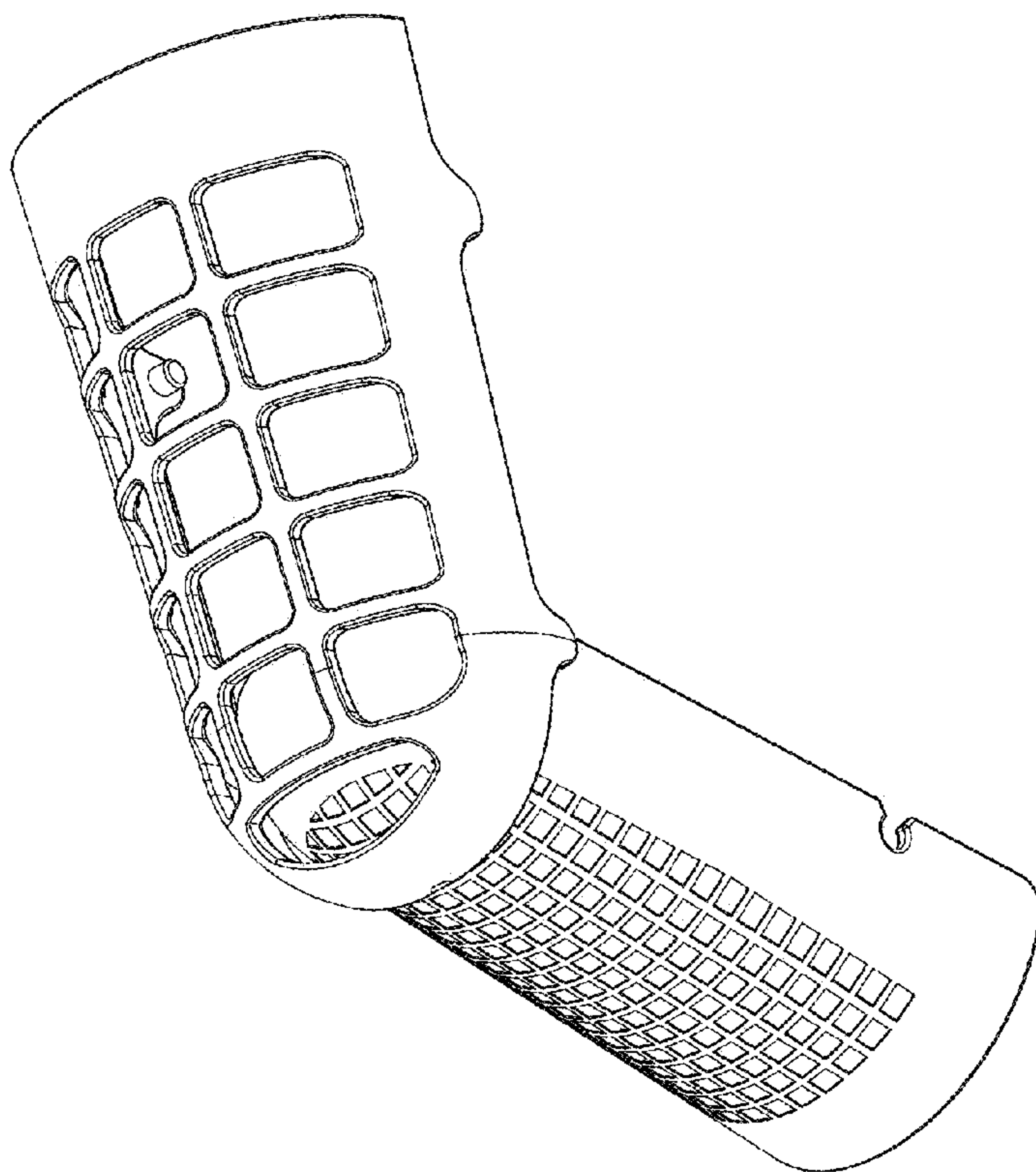


FIG. 9

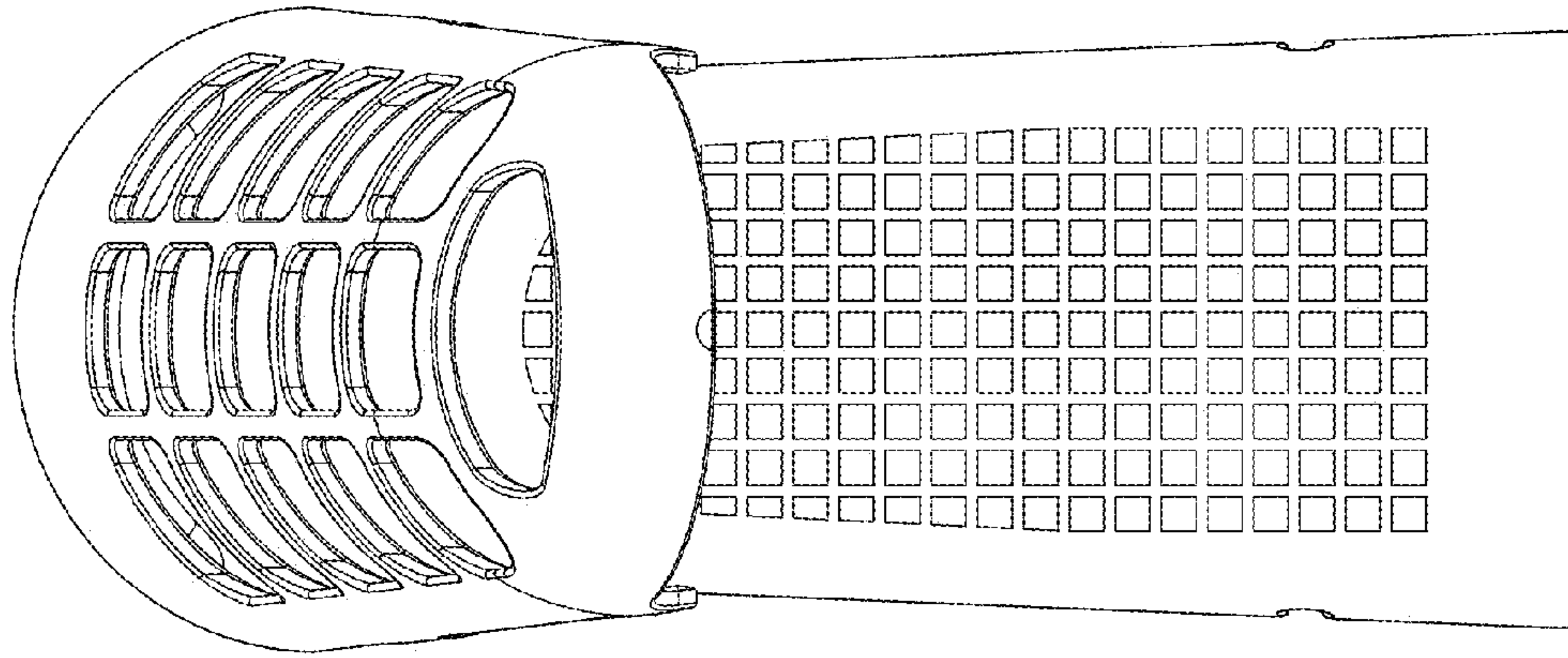


FIG. 10

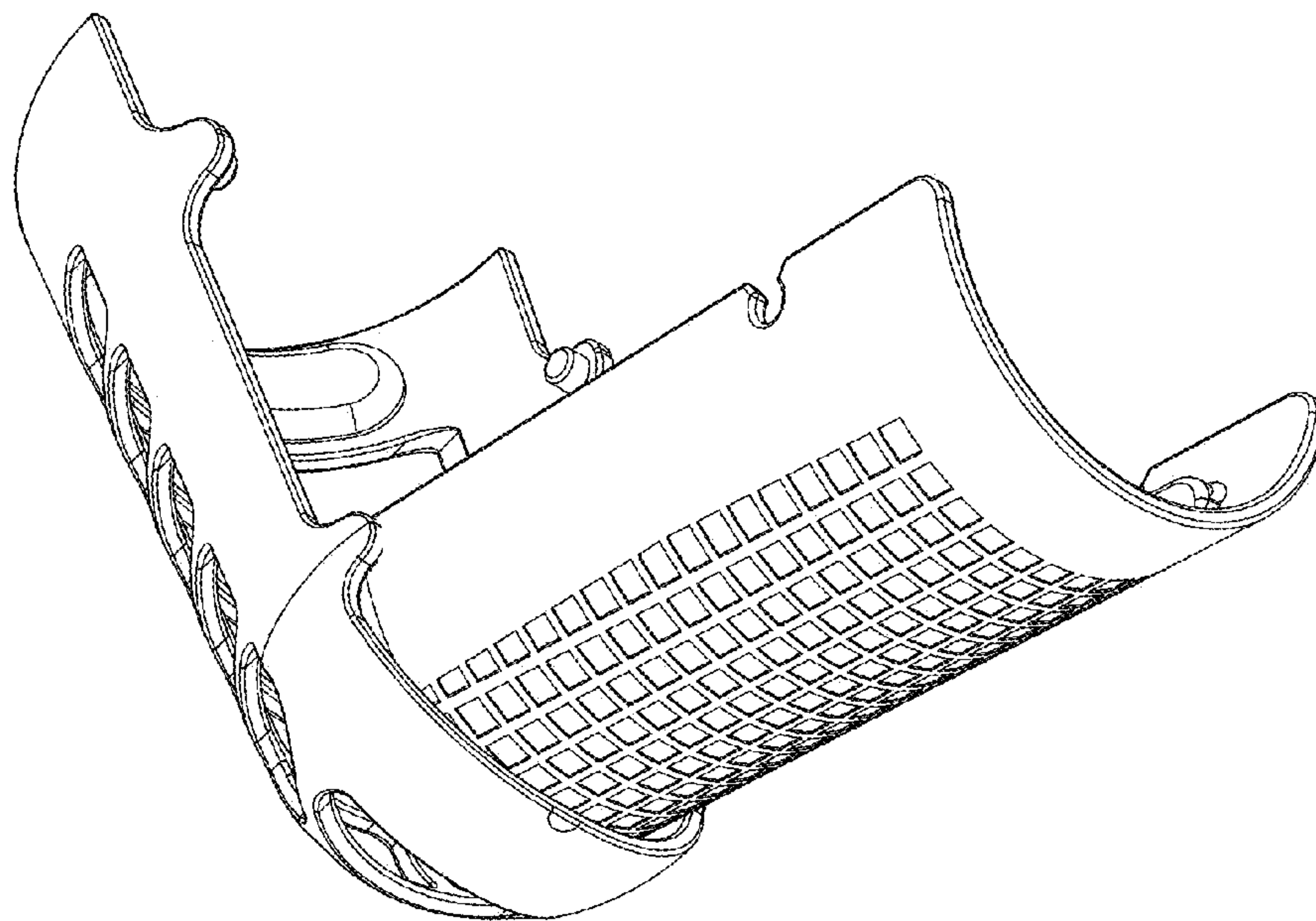


FIG. 11

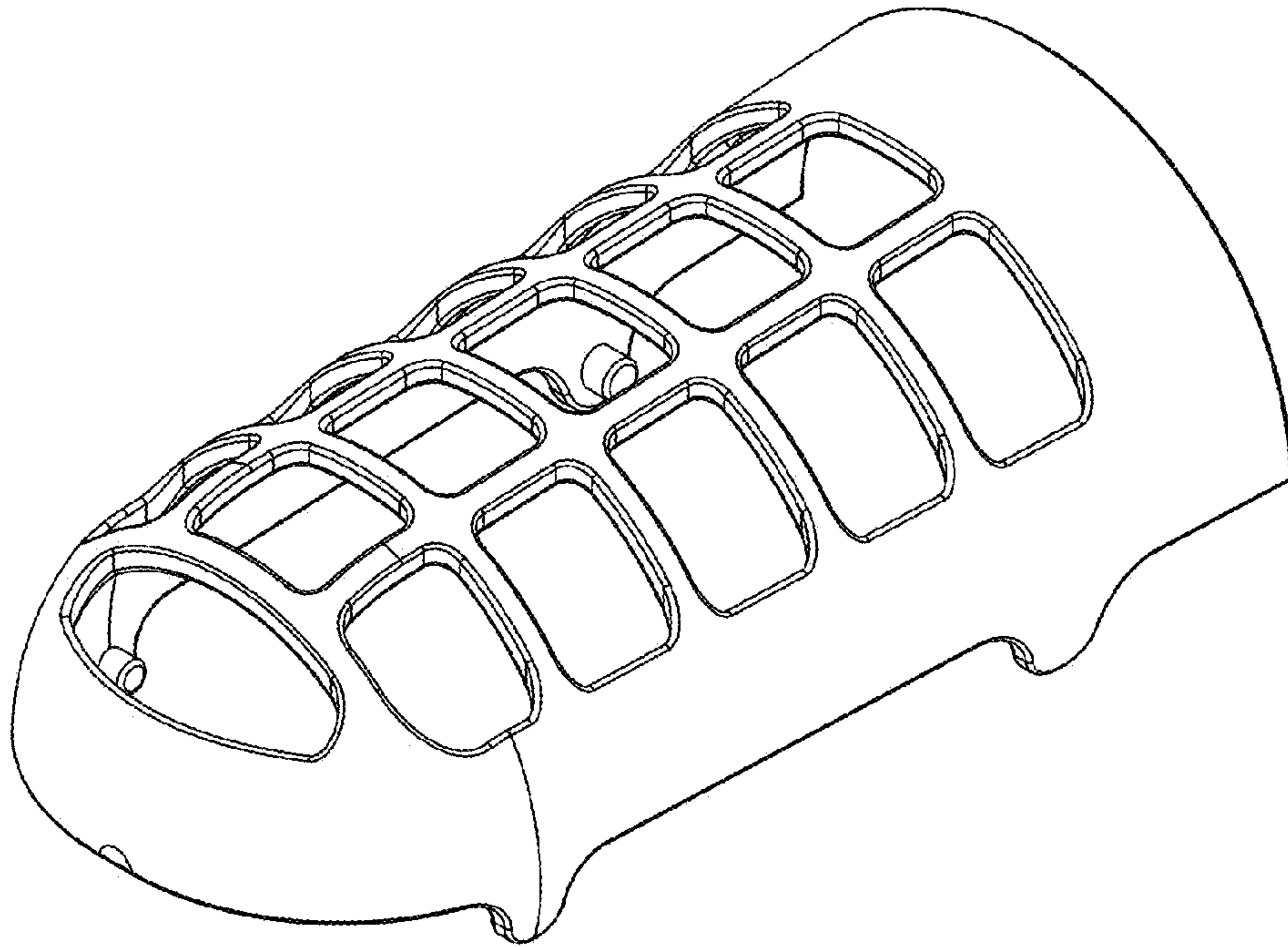


FIG. 12

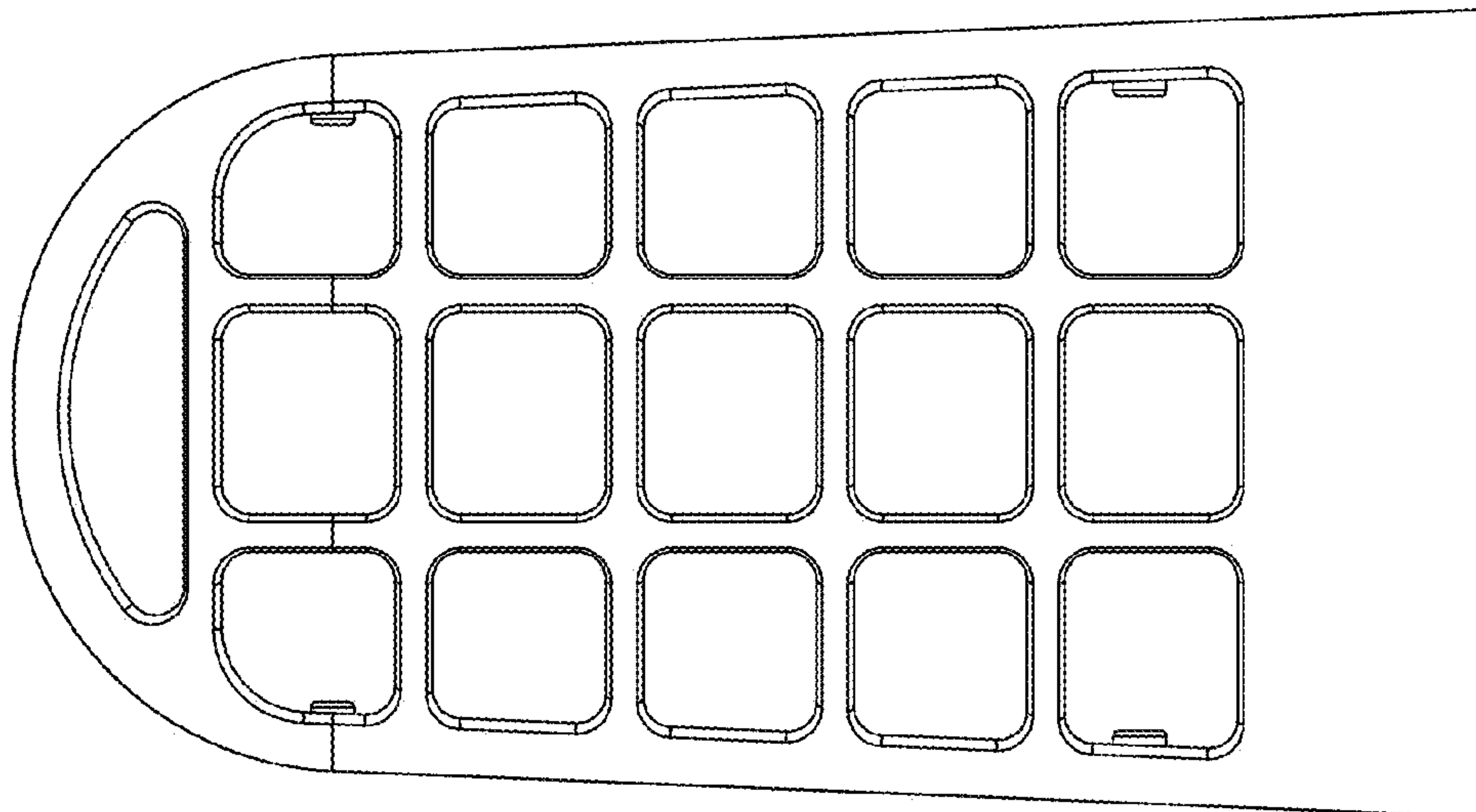


FIG. 13

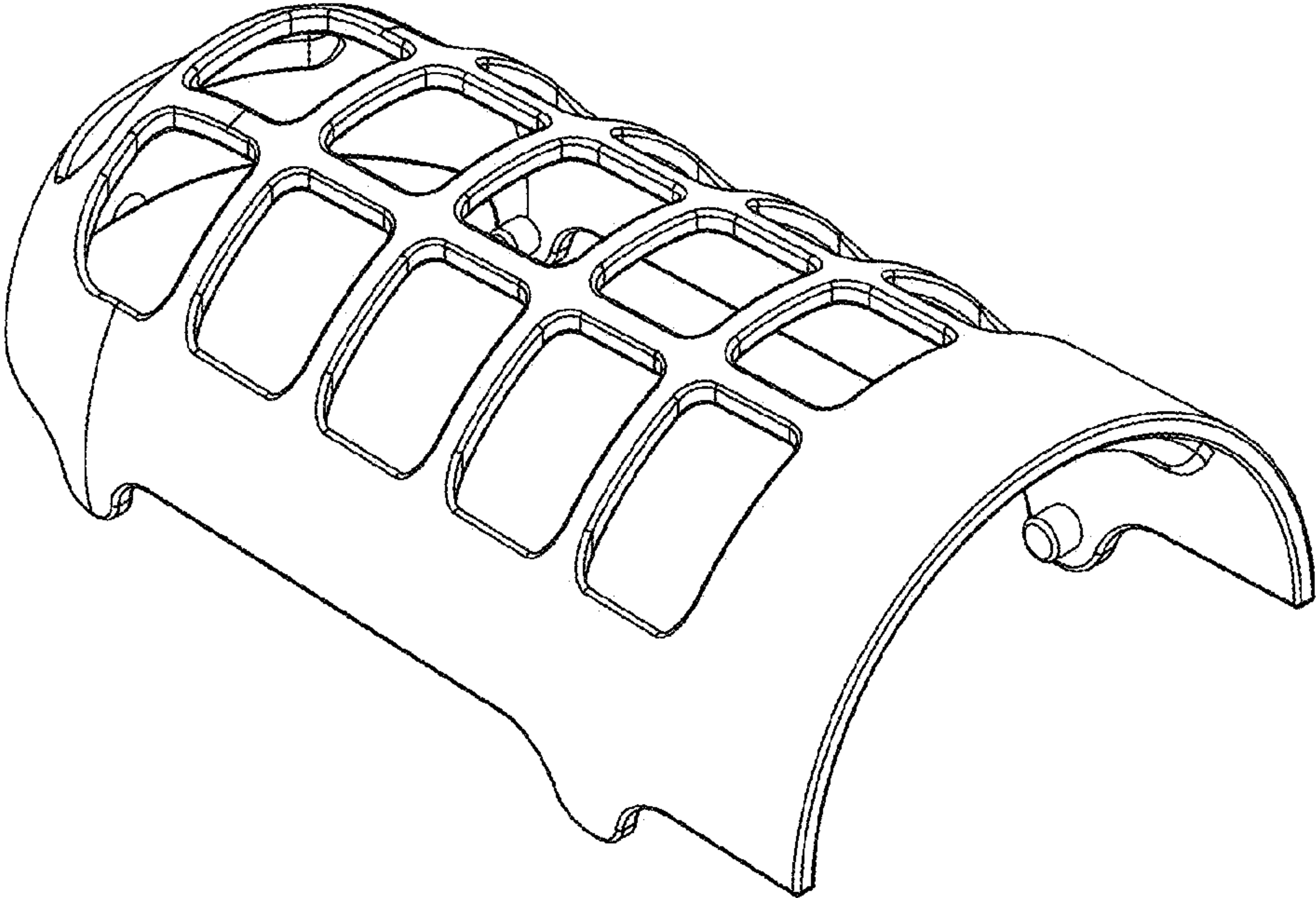


FIG. 14

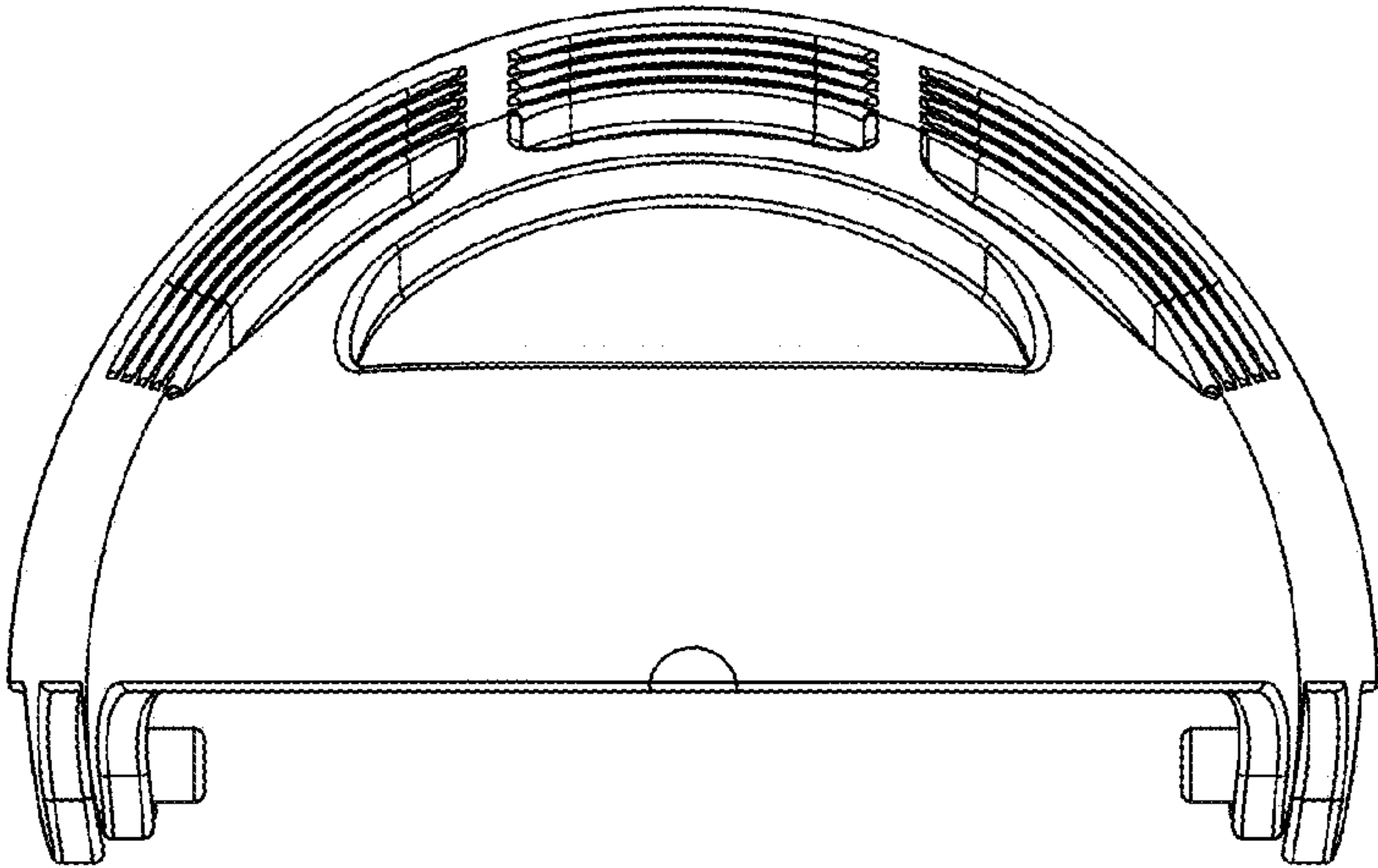


FIG. 15

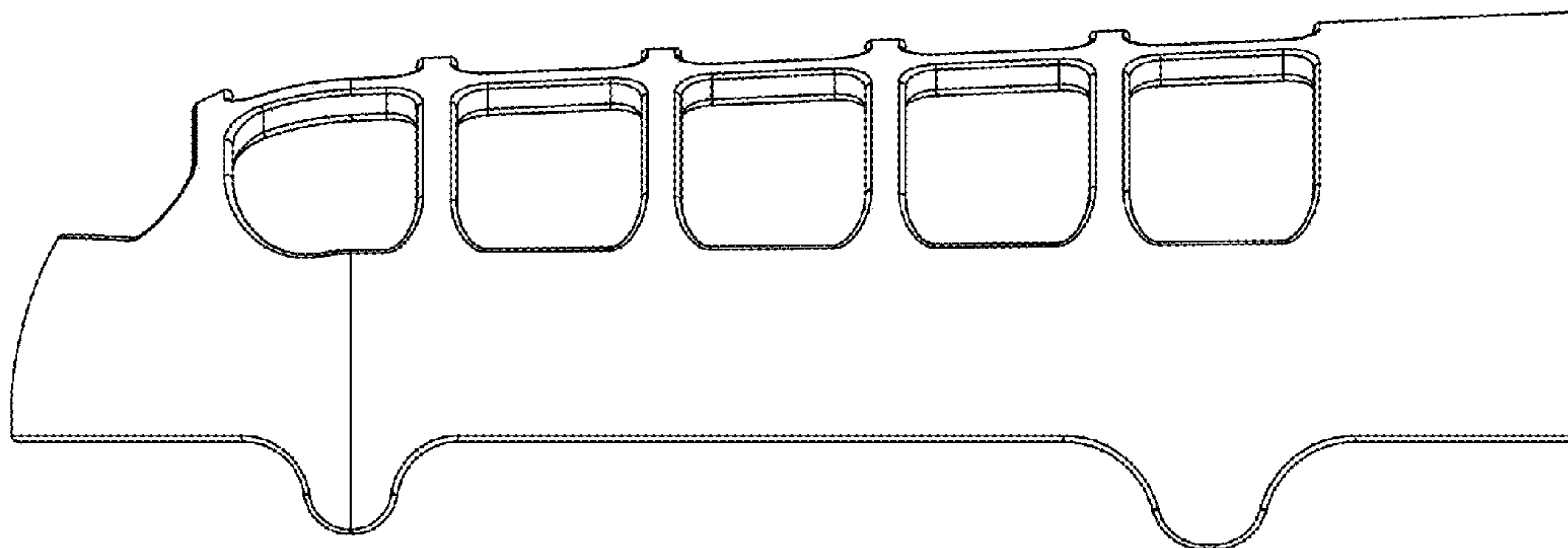


FIG. 16

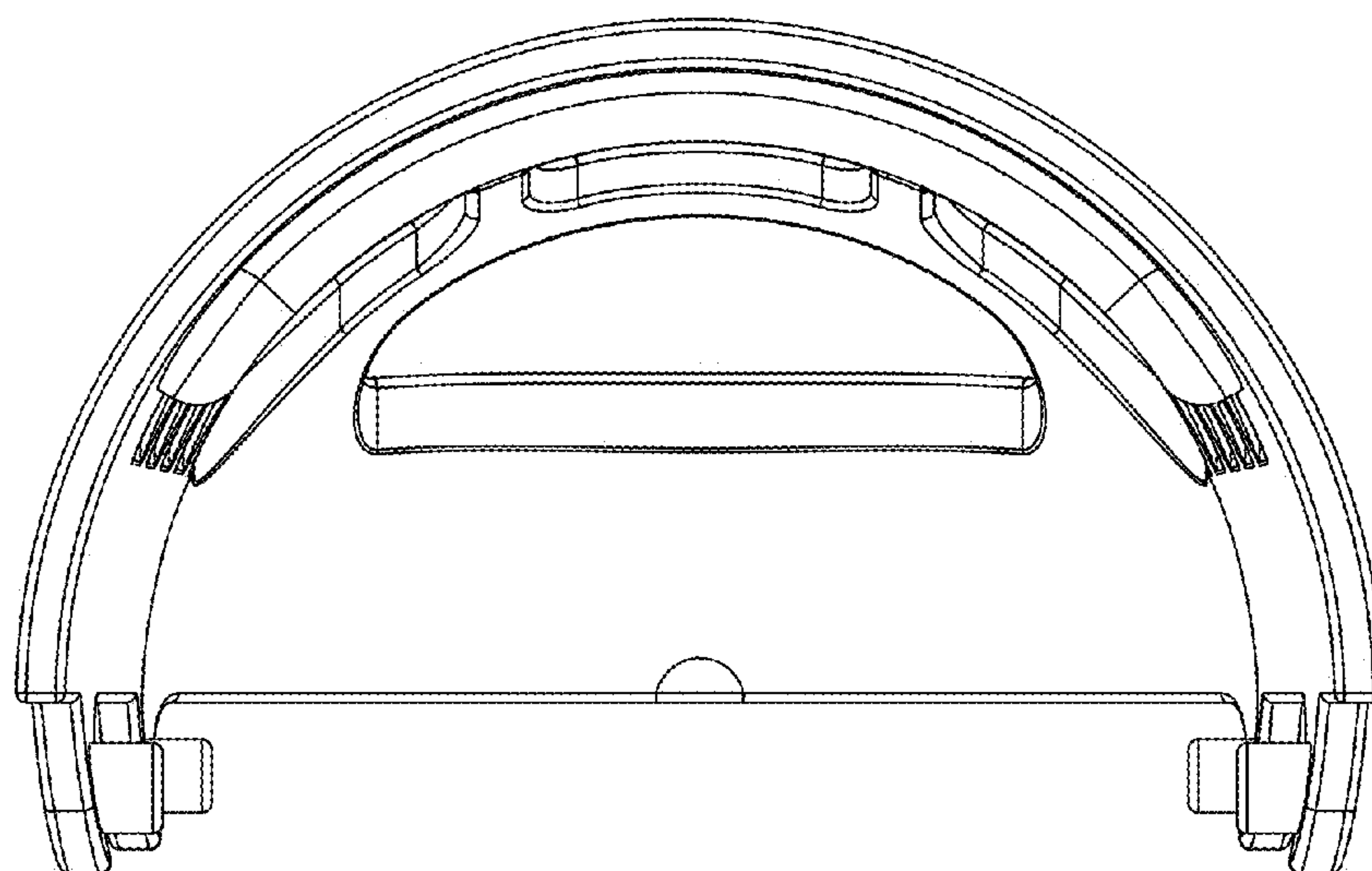


FIG. 17

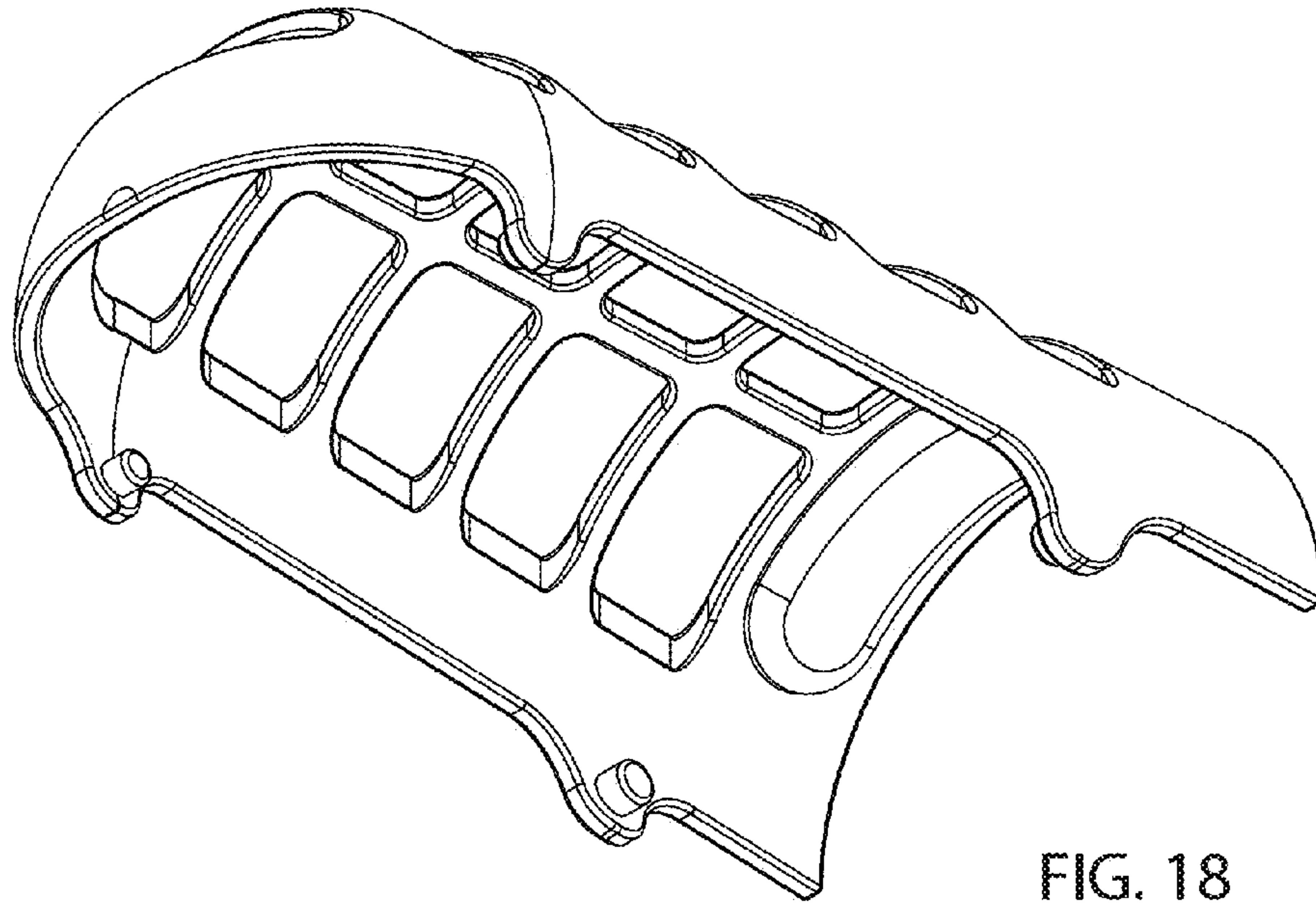


FIG. 18

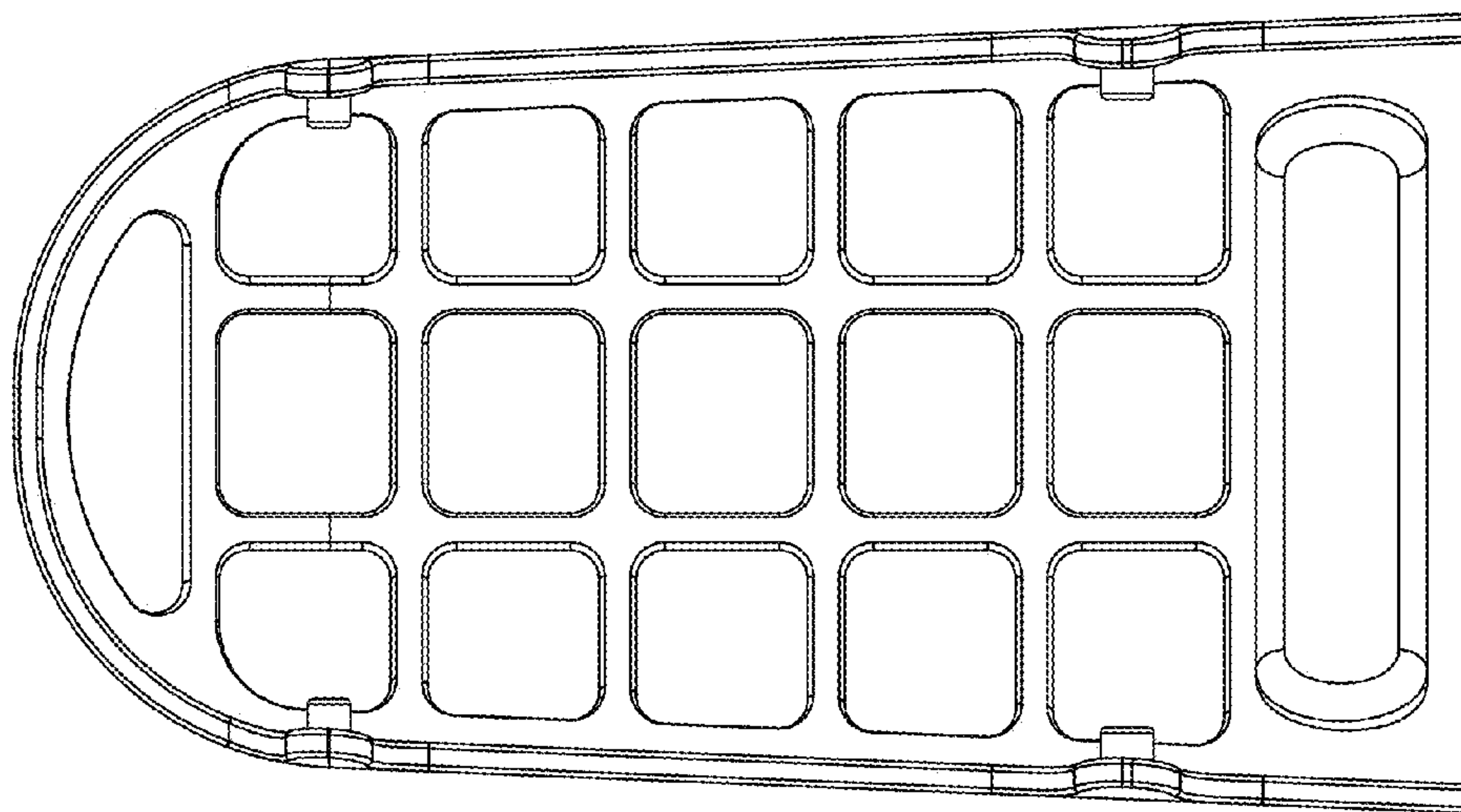


FIG. 19

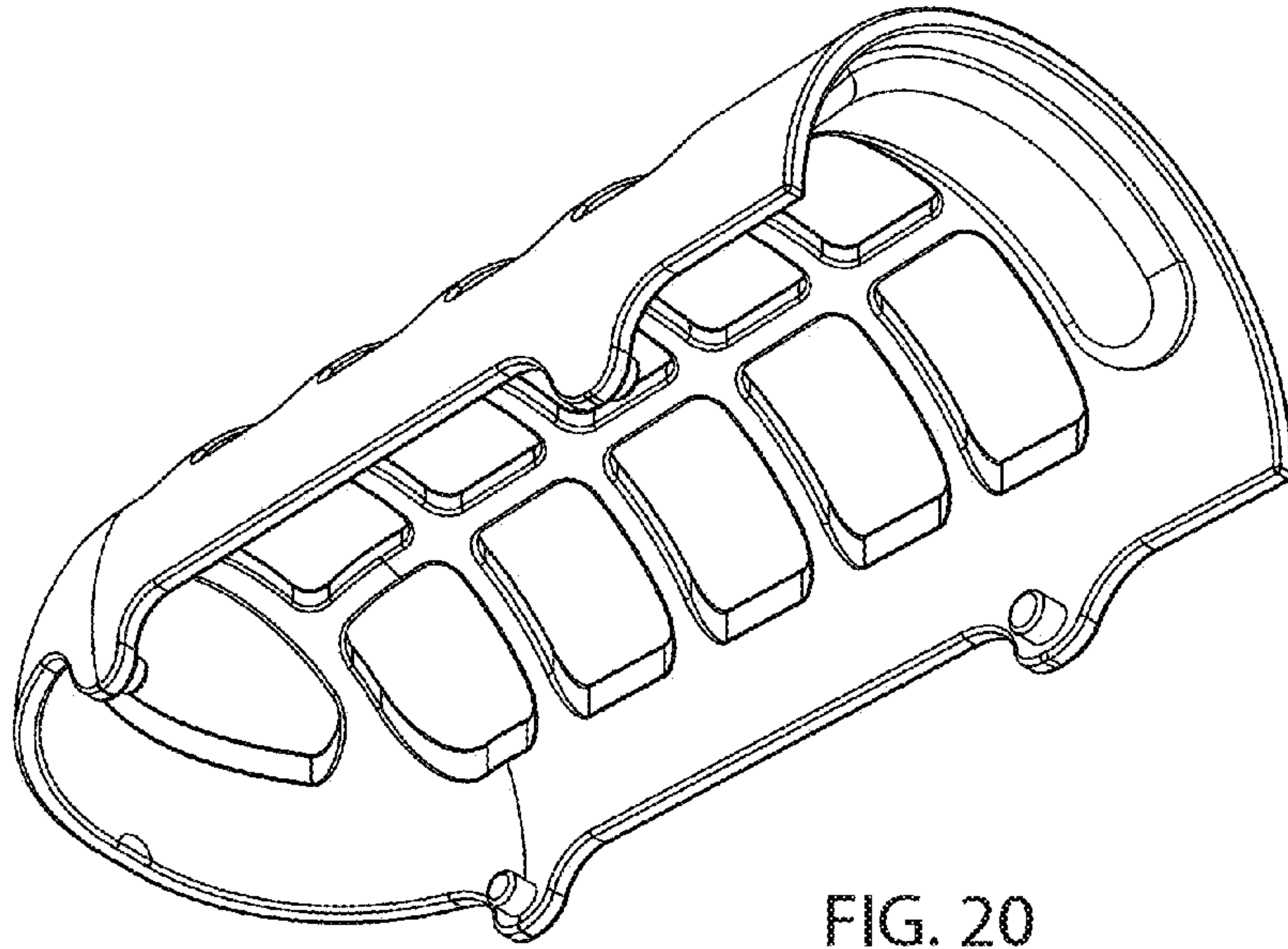


FIG. 20

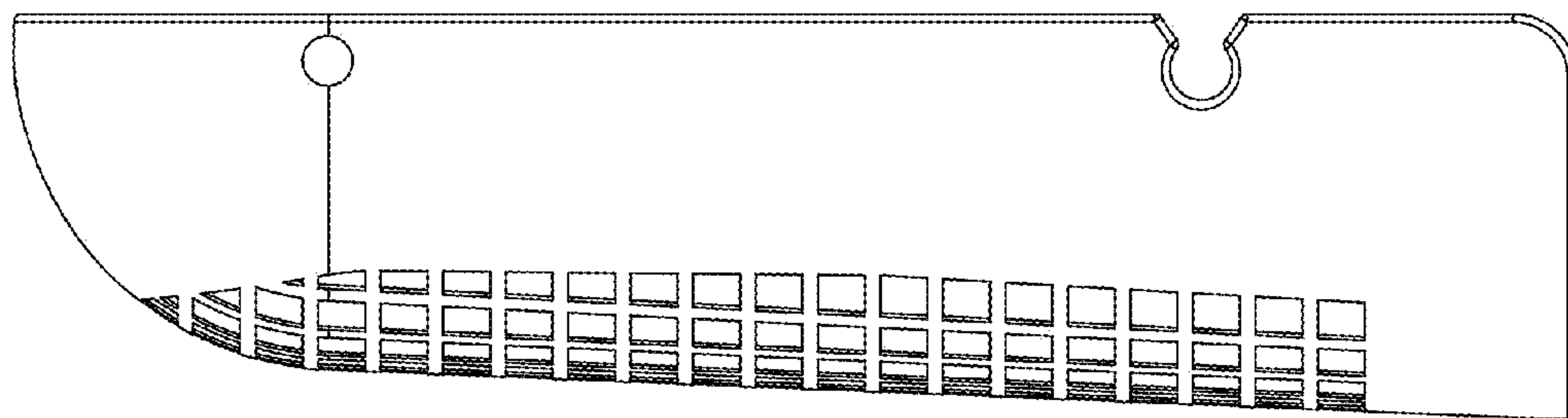


FIG. 21

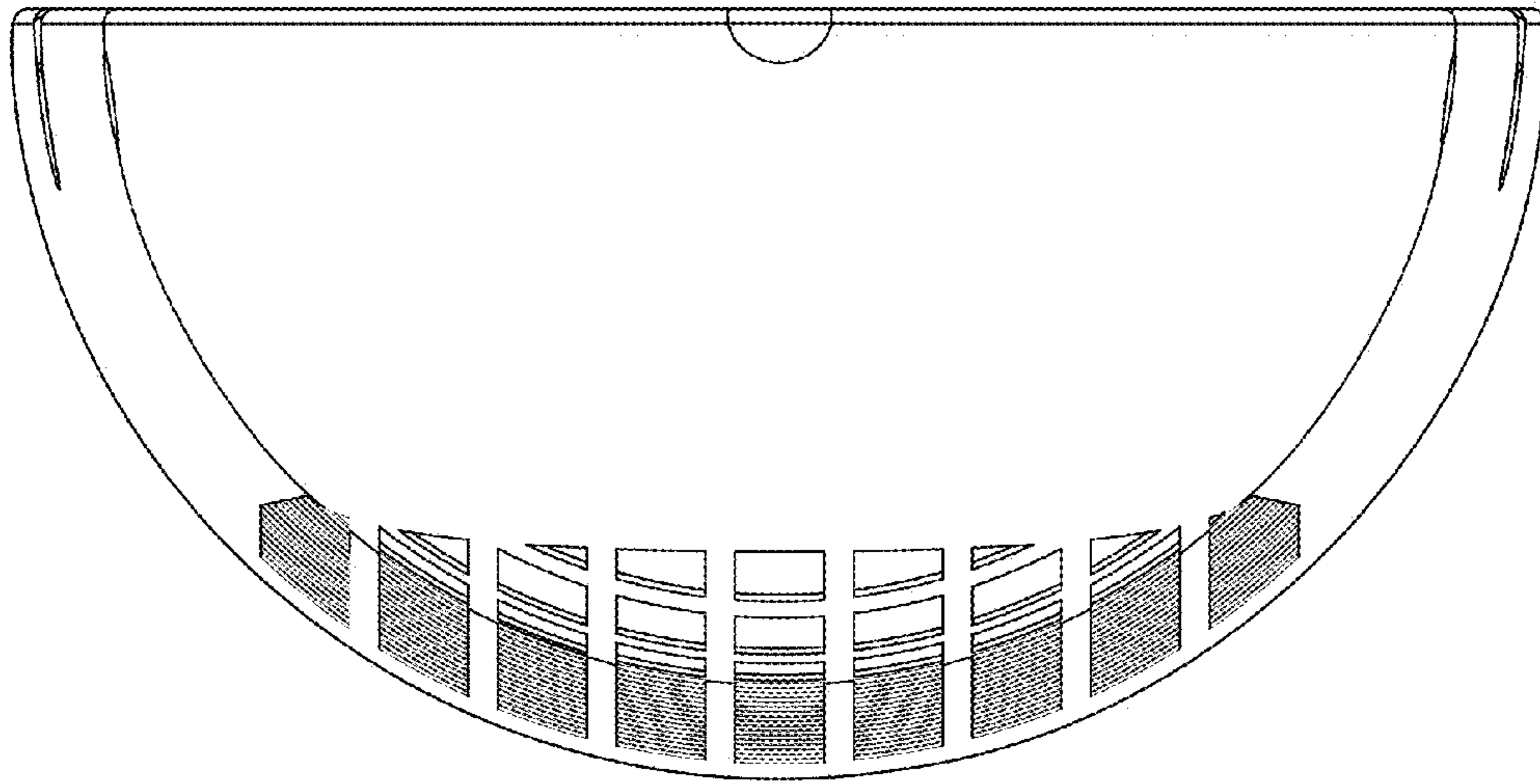


FIG. 22

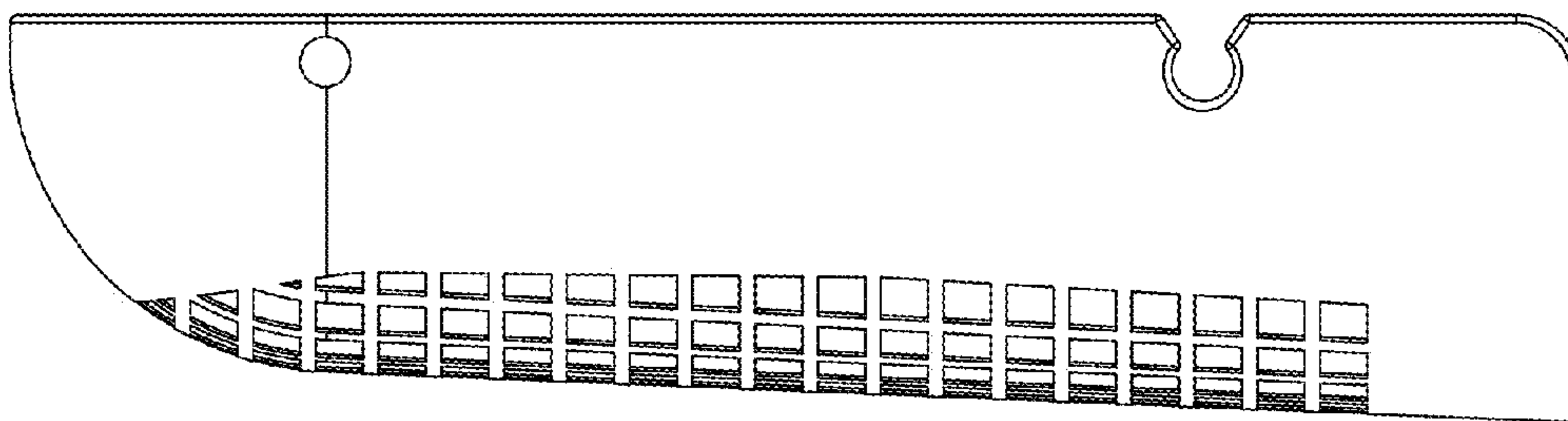


FIG. 23

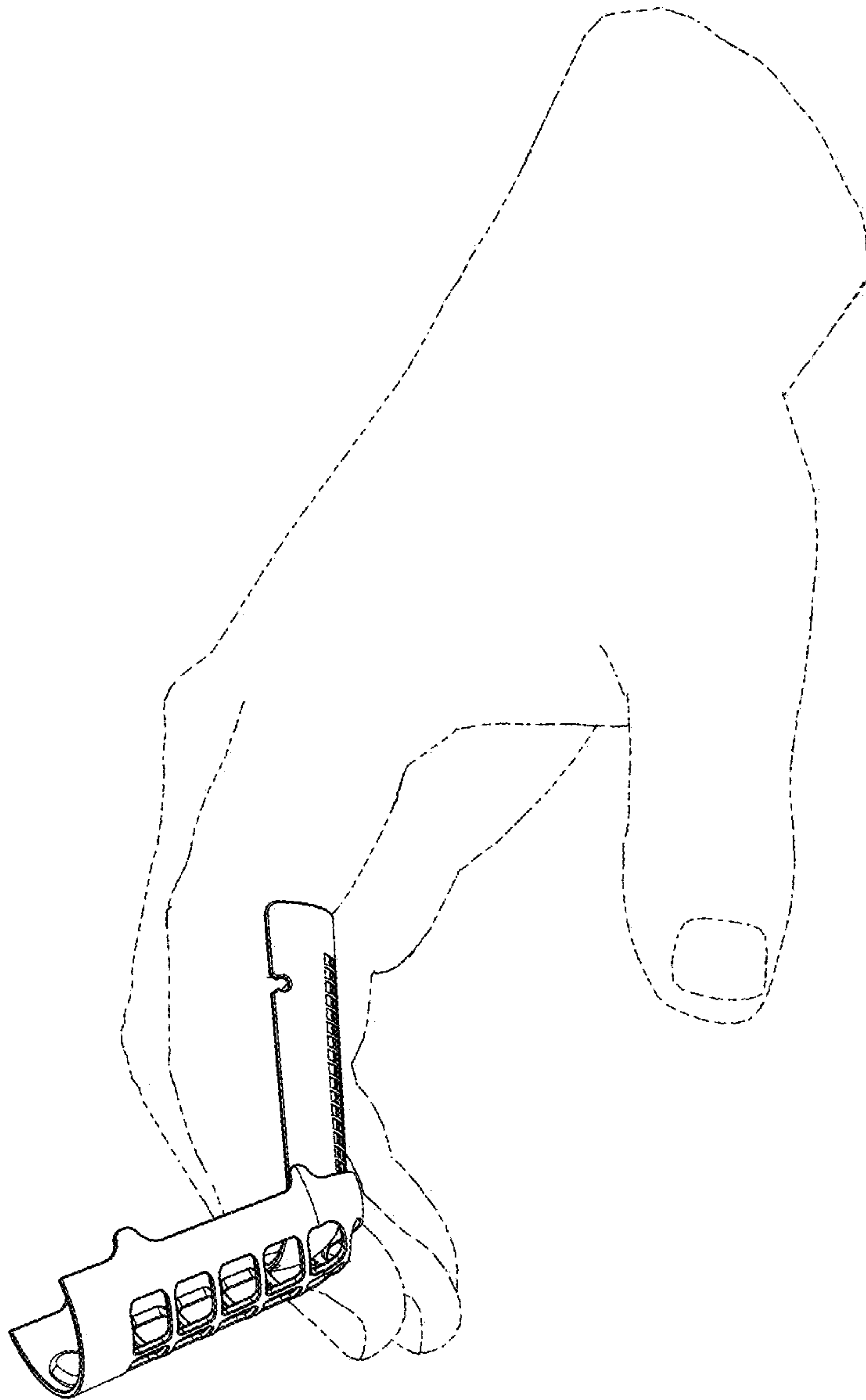


FIG. 24