



US00D733356S

(12) **United States Design Patent**
Leidel

(10) **Patent No.:** **US D733,356 S**

(45) **Date of Patent:** **** Jun. 30, 2015**

(54) **PERSONAL VAPORIZER**

(71) Applicant: **The Hand Media, Inc.**, Miami, FL (US)

(72) Inventor: **Brandon Leidel**, Miami, FL (US)

(**) Term: **14 Years**

(21) Appl. No.: **29/499,816**

(22) Filed: **Aug. 19, 2014**

(51) **LOC (10) Cl.** **27-02**

(52) **U.S. Cl.**
USPC **D27/163**

(58) **Field of Classification Search**

USPC D27/101, 162, 163, 167, 182-184,
D27/186-191, 193, 194; D23/360, 363;
131/194, 270-273, 328-330; D13/108

CPC A61M 5/06; A24F 47/002
See application file for complete search history.

(56) **References Cited**

U.S. PATENT DOCUMENTS

4,993,435	A *	2/1991	McCann	131/330
D346,878	S *	5/1994	Gee et al.	D27/194
D348,329	S *	6/1994	Signorelli	D27/194
D368,552	S *	4/1996	Adams	D27/194
D371,633	S *	7/1996	Chenard	D27/163
D397,504	S *	8/1998	Zelenik	D27/187
D399,600	S *	10/1998	Bowen et al.	D27/194
D411,332	S *	6/1999	Zelenik	D27/187
5,967,310	A *	10/1999	Hill	206/242
D416,106	S *	11/1999	Rennecamp	D27/189
D422,113	S *	3/2000	Higgins et al.	D27/186
D424,236	S *	5/2000	Reed	D27/186
6,089,857	A *	7/2000	Matsuura et al.	431/142
D433,532	S *	11/2000	Higgins et al.	D27/186
6,615,840	B1 *	9/2003	Fournier et al.	131/194
6,814,083	B2 *	11/2004	Likness et al.	131/330
D547,440	S *	7/2007	Louet-Feisser	D24/110
D577,150	S *	9/2008	Bryman et al.	D27/163
D613,903	S	4/2010	Wu	
7,753,055	B2 *	7/2010	Bryman	131/351

7,905,236	B2 *	3/2011	Bryman et al.	131/351
D649,708	S	11/2011	Oneil	
D654,160	S *	2/2012	Yomtov	D23/360
D656,094	S	3/2012	Wu	
D657,047	S	4/2012	Minskoff	
D664,636	S *	7/2012	Robinson et al.	D23/360
D666,355	S	8/2012	Alelov	
D675,777	S	2/2013	Wu	
D677,000	S	2/2013	Liu	
D677,774	S *	3/2013	Postma	D23/360
D683,899	S	6/2013	Liu	
D690,002	S *	9/2013	Storey et al.	D24/110
D706,976	S	6/2014	Wu	
D708,727	S *	7/2014	Postma	D23/360
D718,492	S *	11/2014	Albanese	D27/163
D721,202	S *	1/2015	Liu	D27/101
2004/0187879	A1 *	9/2004	Iordan	131/194

(Continued)

Primary Examiner — Susan Bennett Hattan

Assistant Examiner — Janice Hallmark

(74) *Attorney, Agent, or Firm* — Christopher J. Vandam, PA;
Chris Vandam

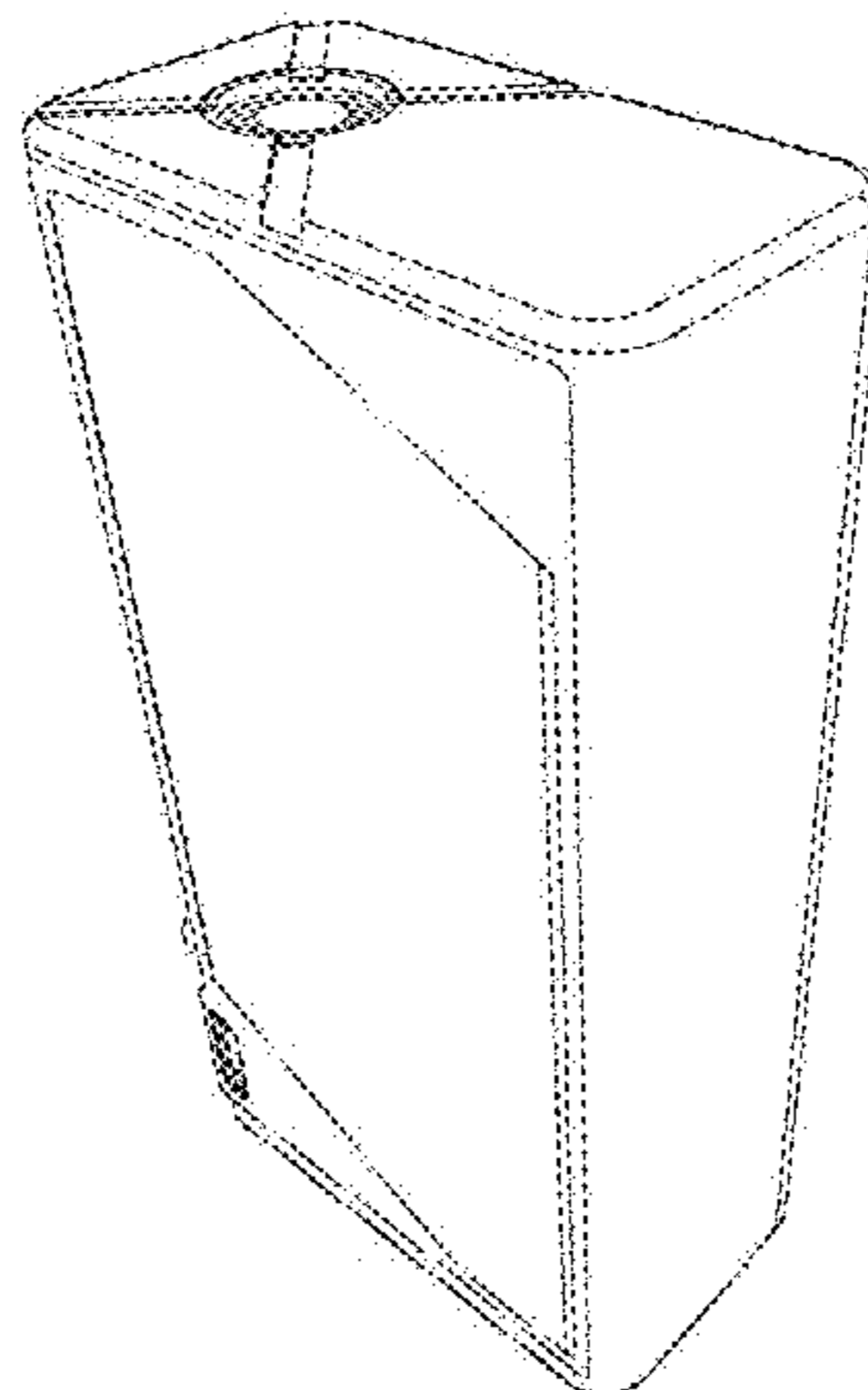
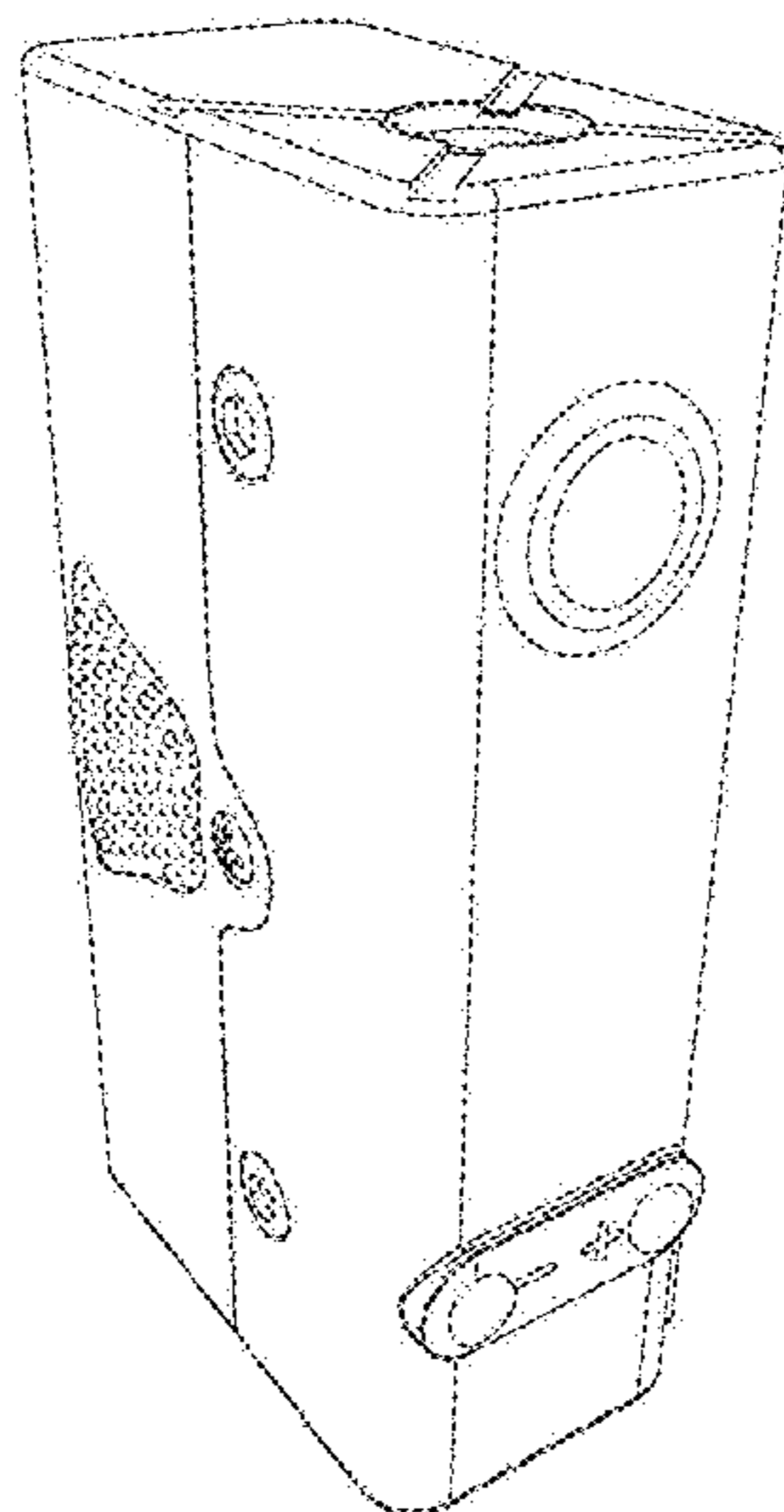
(57) **CLAIM**

The ornamental design for a personal vaporizer, as shown.

DESCRIPTION

FIG. 1 shows a back view of a personal vaporizer.
FIG. 2 shows a side view of the personal vaporizer.
FIG. 3 shows a front view of the personal vaporizer.
FIG. 4 shows a side view of the personal vaporizer.
FIG. 5 shows a top view of the personal vaporizer.
FIG. 6 shows a bottom view of the personal vaporizer.
FIG. 7 shows a perspective view of the personal vaporizer.
FIG. 8 shows a perspective view of the personal vaporizer.
FIG. 9 shows a perspective view of the personal vaporizer.
FIG. 10 shows a perspective view of the personal vaporizer;
and,
FIG. 11 shows a perspective view of the personal vaporizer.
A battery powered personal vaporizer.

1 Claim, 11 Drawing Sheets



US D733,356 S

Page 2

(56)

References Cited

U.S. PATENT DOCUMENTS

2012/0255546	A1*	10/2012	Goetz et al.	128/202.21
2014/0196732	A1*	7/2014	Liu	131/329
2014/0283824	A1*	9/2014	Wheelock et al.	128/202.21
2007/0089757	A1*	4/2007	Bryman	131/330
2010/0163063	A1*	7/2010	Fernando et al.	131/184.1

* cited by examiner

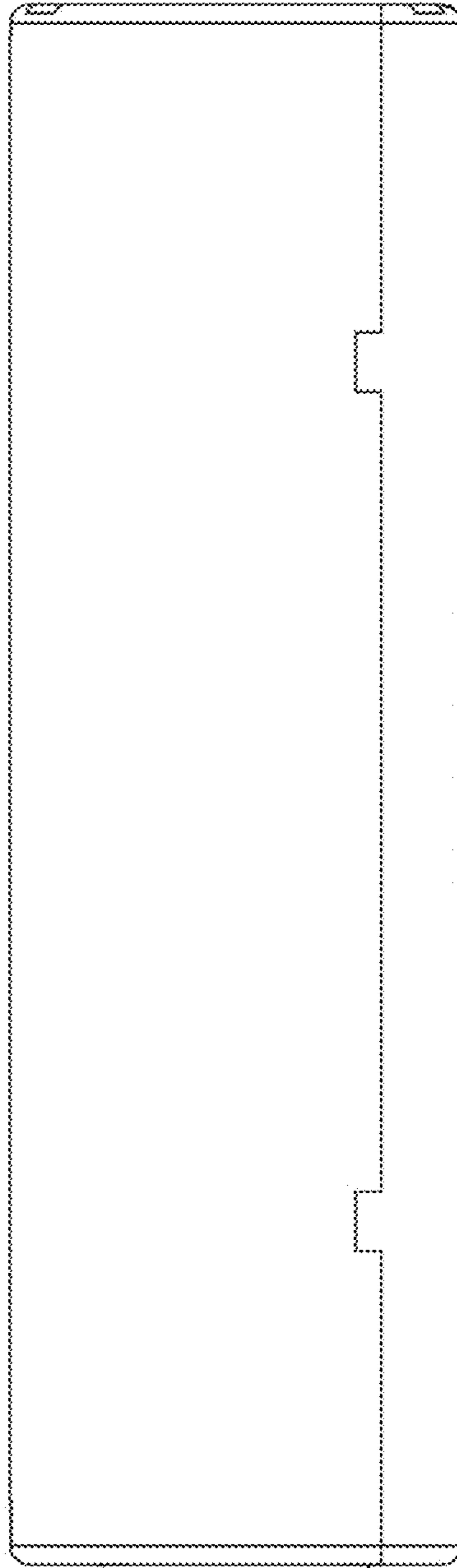


fig.1

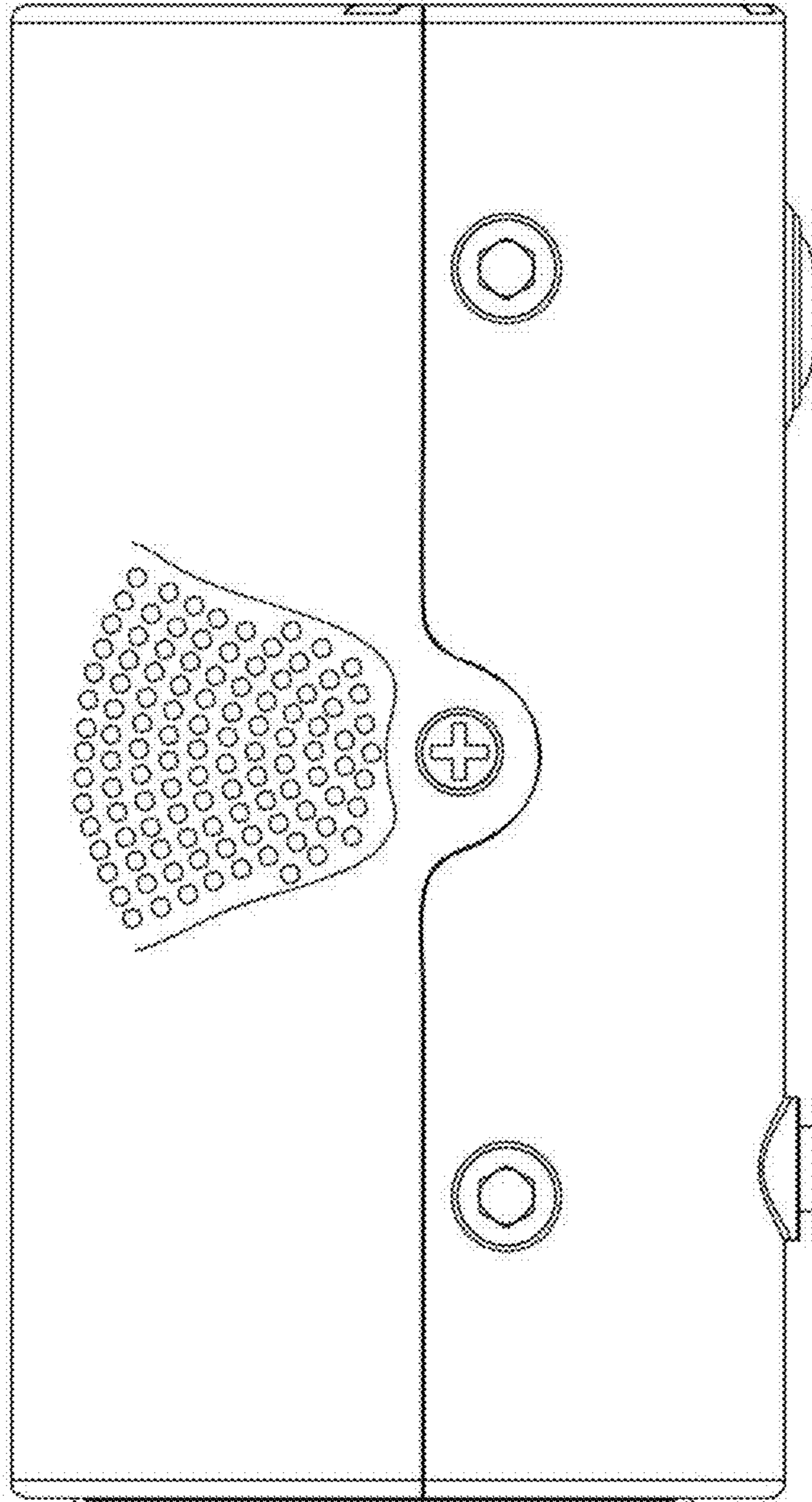


fig.2

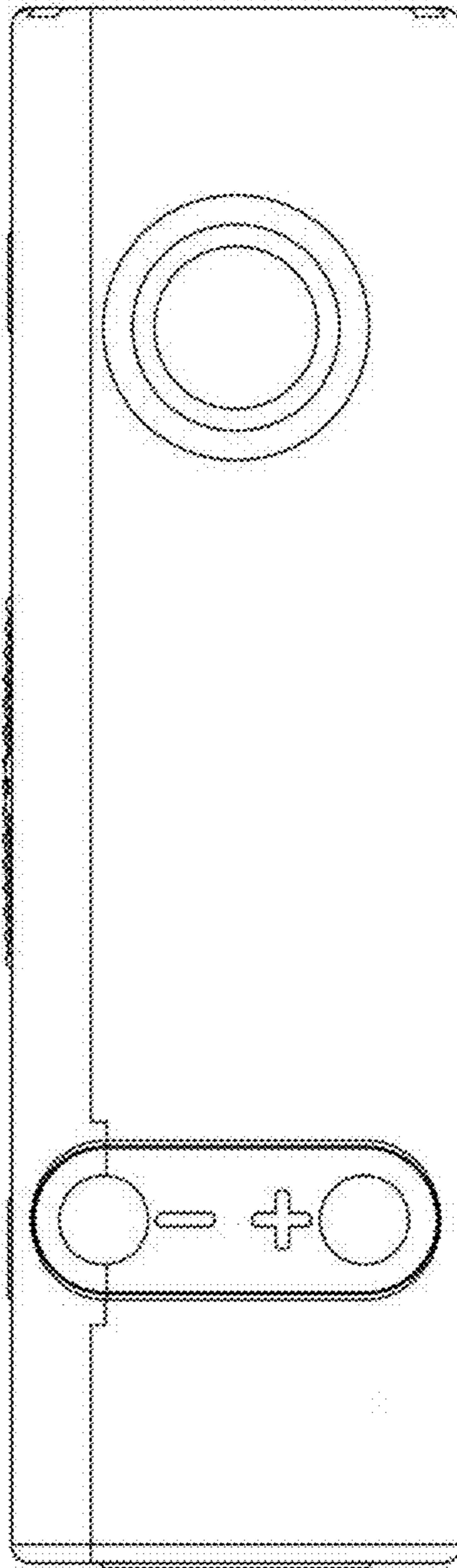


fig.3

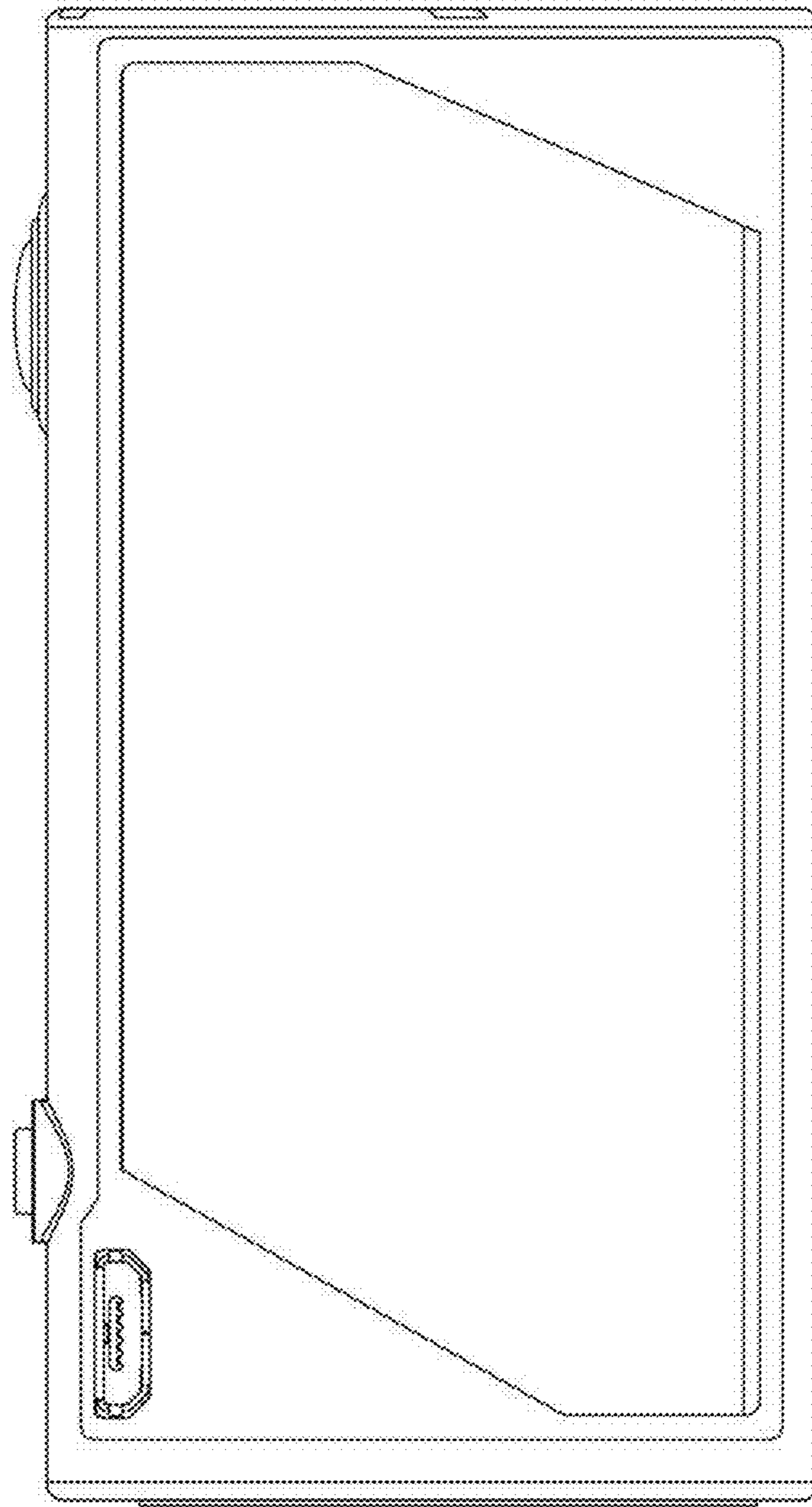


fig.4

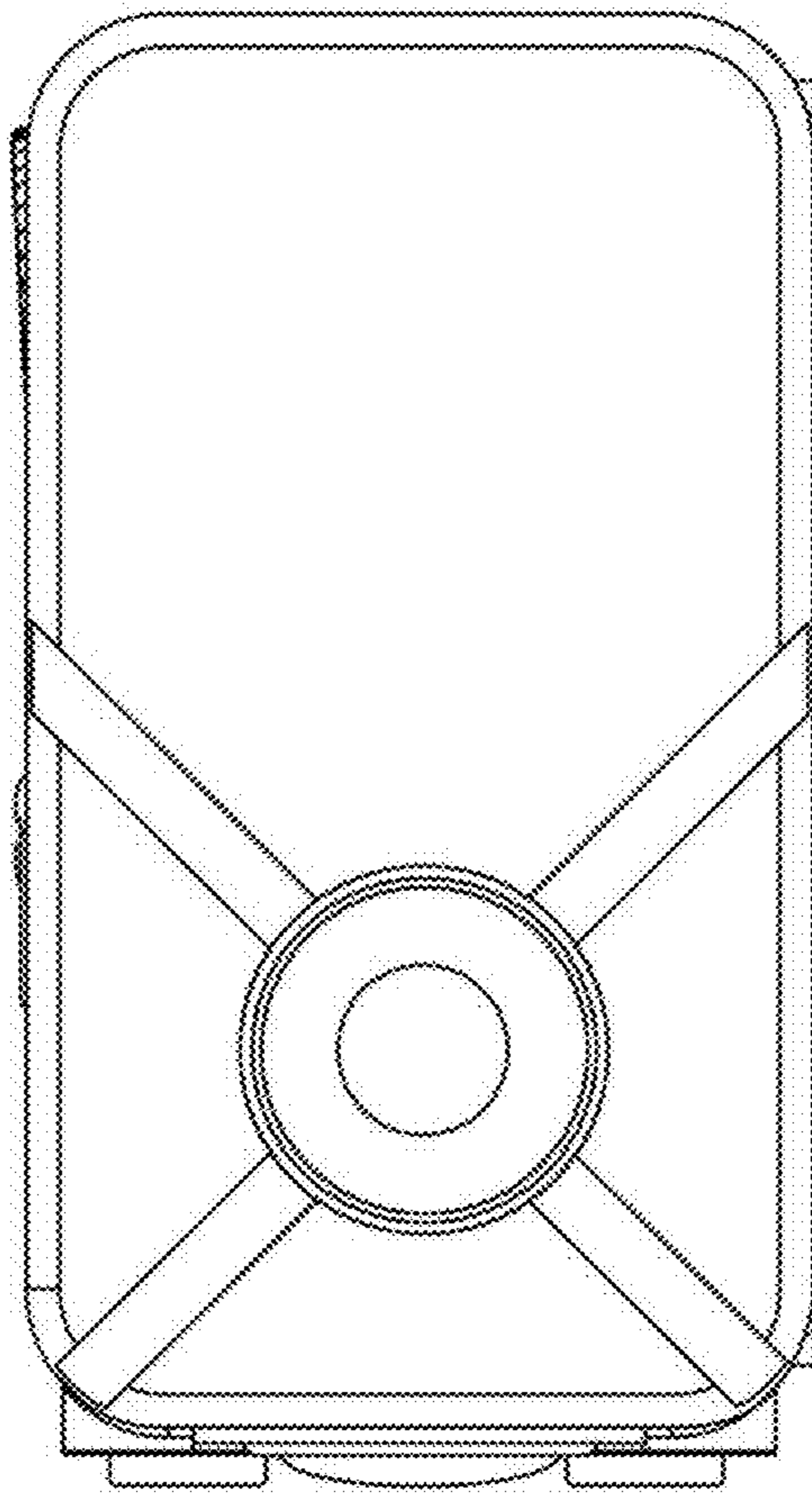


fig.5

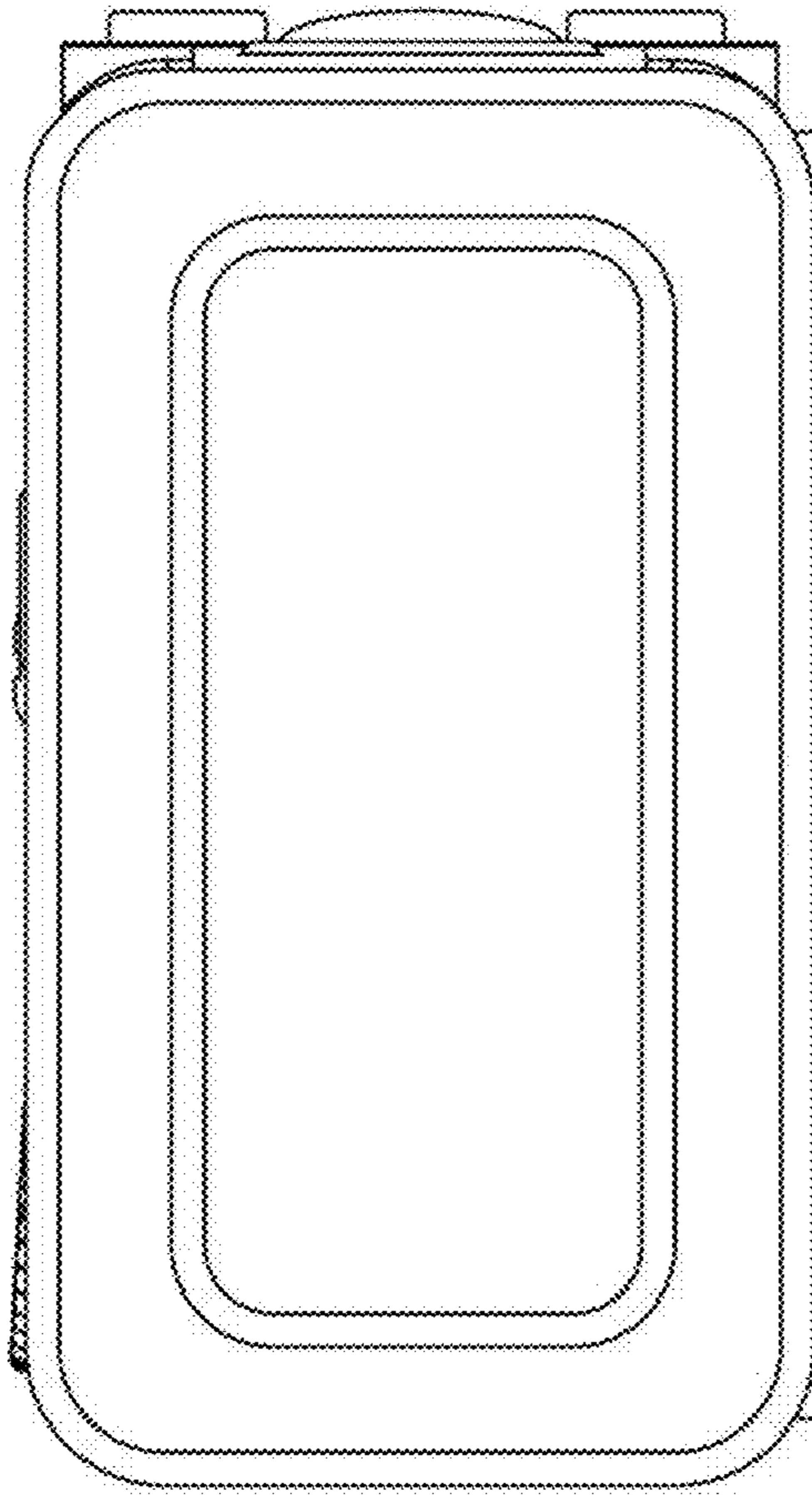


fig.6

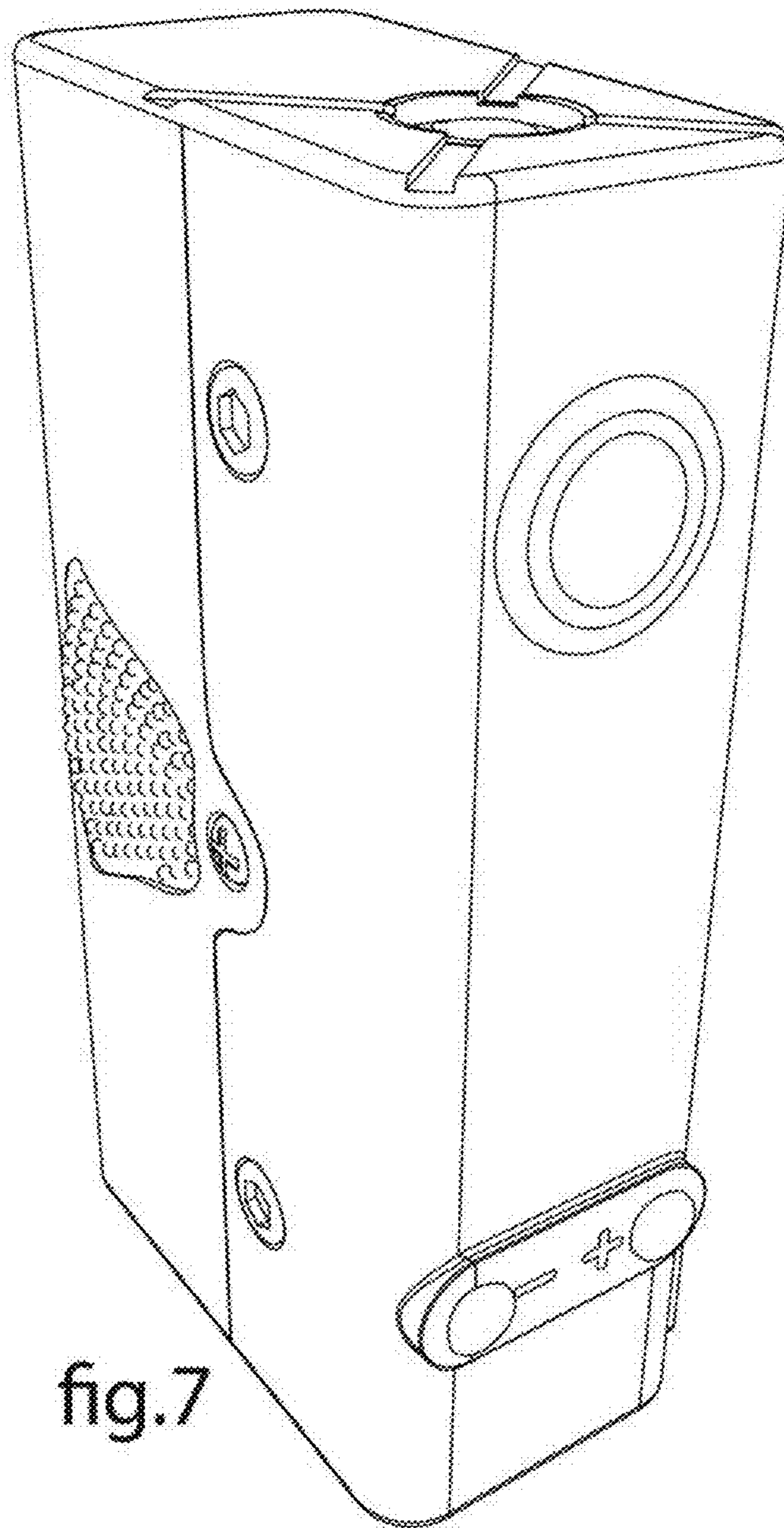


fig.7

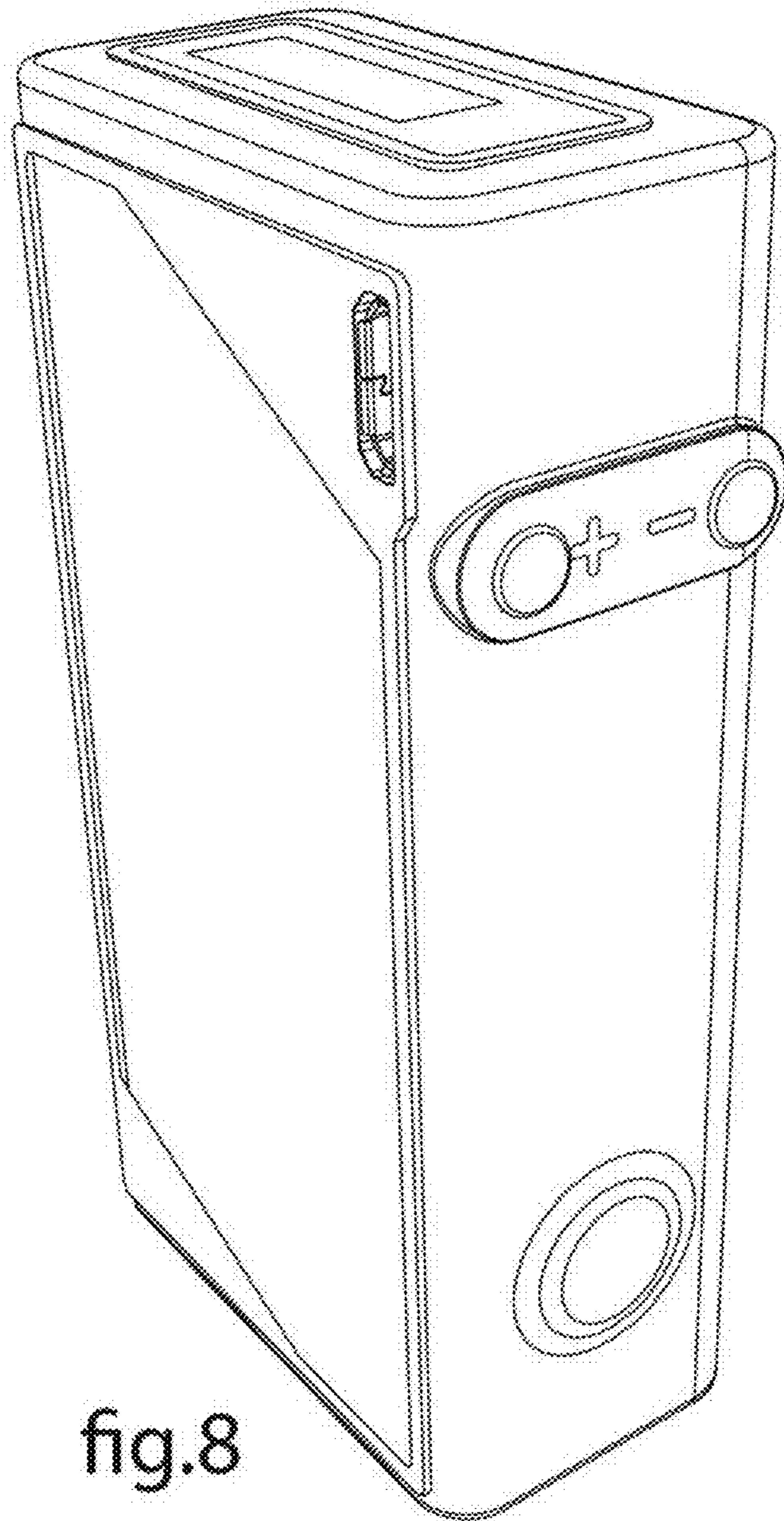


fig.8

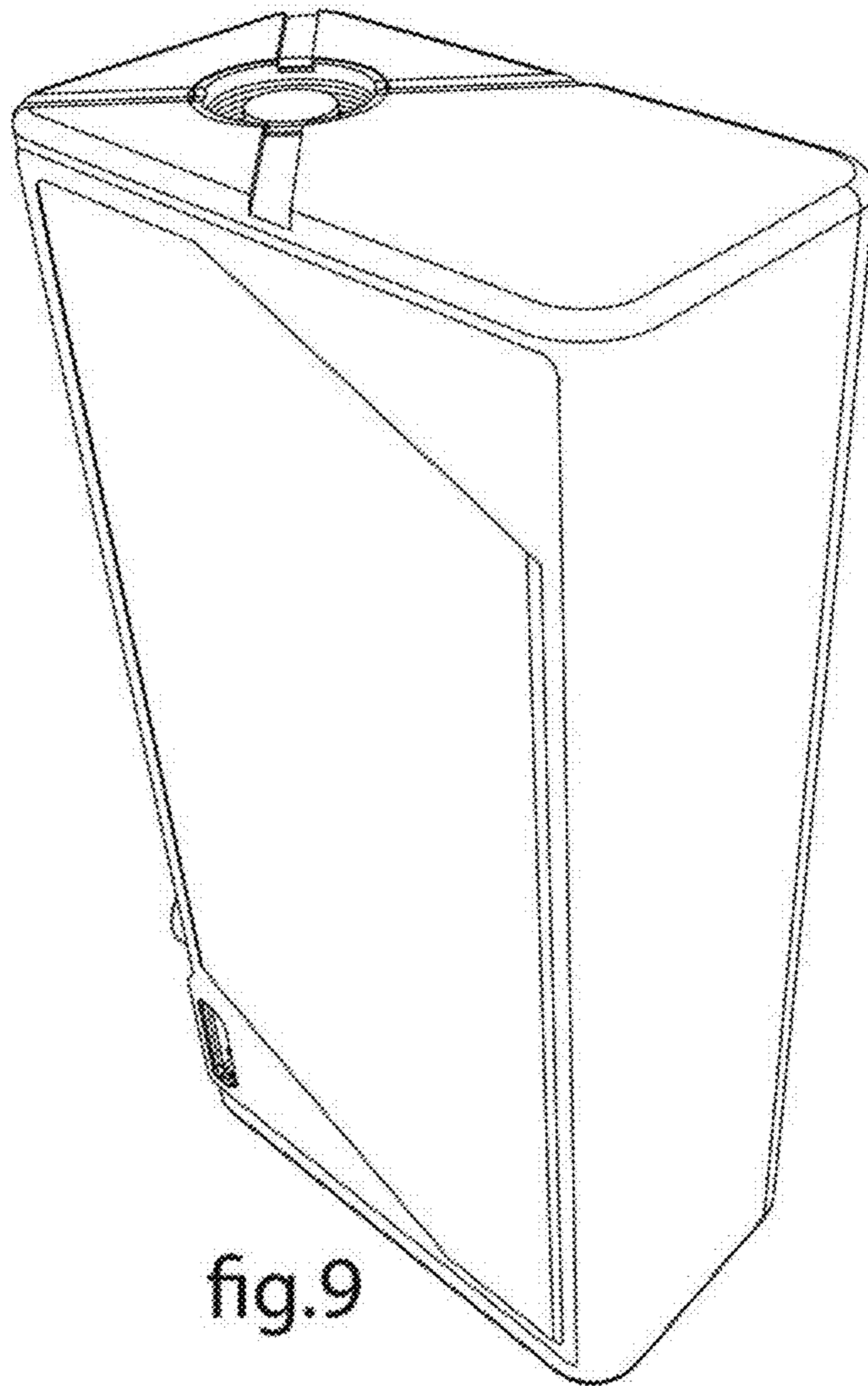


fig.9

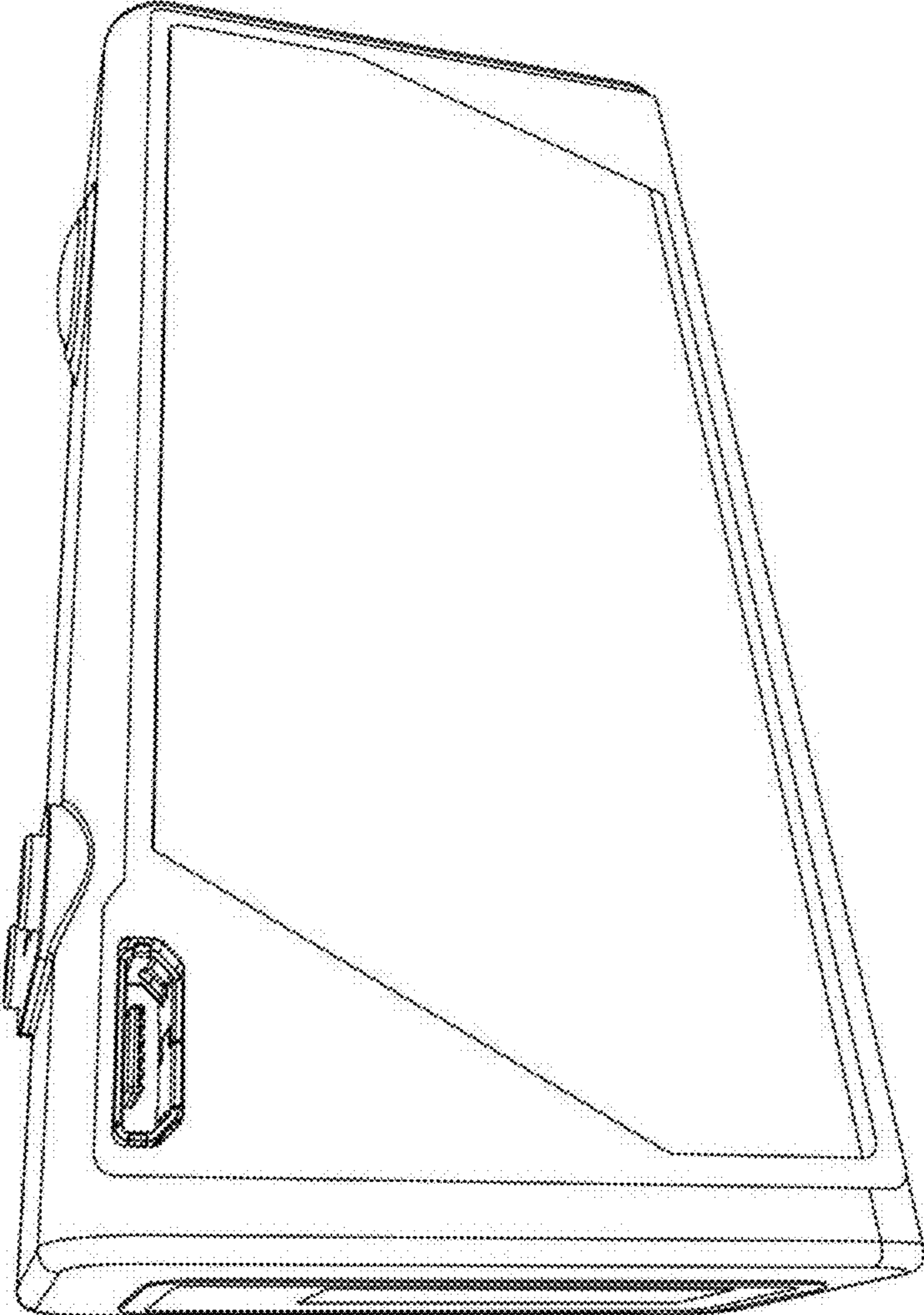


fig.10

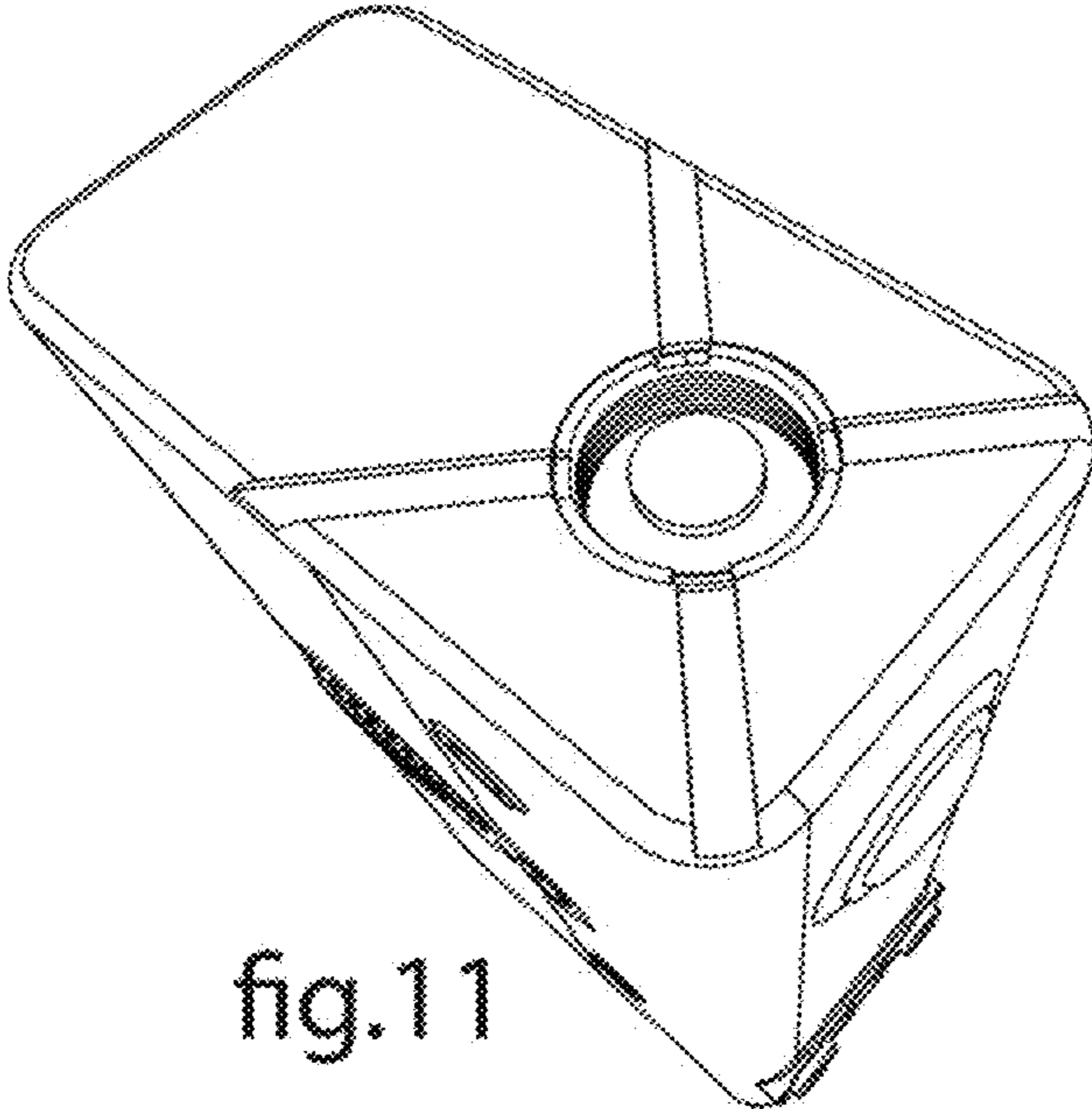


fig.11