



US00D733354S

(12) **United States Design Patent**  
**Klus**

(10) **Patent No.:** **US D733,354 S**  
(45) **Date of Patent:** **\*\* Jun. 30, 2015**

(54) **HOUSING FOR A LED BASED LIGHTING APPARATUS**

(71) Applicant: **Sylwester Klus**, Kamionka (PL)

(72) Inventor: **Sylwester Klus**, Kamionka (PL)

(\*\*) Term: **14 Years**

(21) Appl. No.: **29/502,262**

(22) Filed: **Sep. 12, 2014**

(51) **LOC (10) Cl.** ..... **26-99**

(52) **U.S. Cl.**  
USPC ..... **D26/138**

(58) **Field of Classification Search**  
USPC ..... D26/24, 26, 39, 42, 67, 68, 72, 74, 75,  
D26/79, 85, 88, 89, 91, 96, 108, 109, 113,  
D26/118, 120, 122, 129, 138, 140, 141,  
D26/142; D13/179, 180; D25/60, 119, 122,  
D25/124, 125, 164; 362/23.07, 23.09,  
362/23.16, 145, 217.01, 217.02, 255, 257,  
362/270, 277, 317, 362, 555, 611, 612, 614,  
362/800; 174/68.3, 101  
CPC ..... F21S 4/00; F21S 4/003; F21S 4/006;  
F21S 4/007; F21S 4/008; F21S 6/004; F21S  
6/0005; F21S 9/037; F21K 9/54; F21V 15/01;  
F21V 15/013  
See application file for complete search history.

(56) **References Cited**

**U.S. PATENT DOCUMENTS**

2,292,395 A \* 8/1942 O'Brien ..... 174/101  
4,323,836 A \* 4/1982 Rice ..... 174/503  
D289,633 S \* 5/1987 Bramwell ..... D25/122  
D293,098 S \* 12/1987 Layton ..... D25/122

D424,213 S \* 5/2000 Chaney et al. .... D25/122  
D443,198 S \* 6/2001 Snyder ..... D25/164  
D503,484 S \* 3/2005 Deleu ..... D25/122  
D541,953 S \* 5/2007 Deleu ..... D25/122  
7,344,163 B2 \* 3/2008 Thompson ..... 174/68.3  
D611,169 S \* 3/2010 Harder ..... D25/122  
D616,567 S \* 5/2010 Desrosiers et al. .... D25/60  
D621,091 S \* 8/2010 Klu ..... D26/138  
D623,342 S \* 9/2010 Klu ..... D26/138  
D649,682 S \* 11/2011 Trzesniowski ..... D26/138  
8,330,042 B2 \* 12/2012 Owens et al. .... 174/68.3  
D695,955 S \* 12/2013 Klus ..... D26/138  
D696,814 S \* 12/2013 Matus, Jr. .... D26/138  
D705,984 S \* 5/2014 Klus ..... D26/138  
2009/0310354 A1 \* 12/2009 Zampini et al. .... 362/362

\* cited by examiner

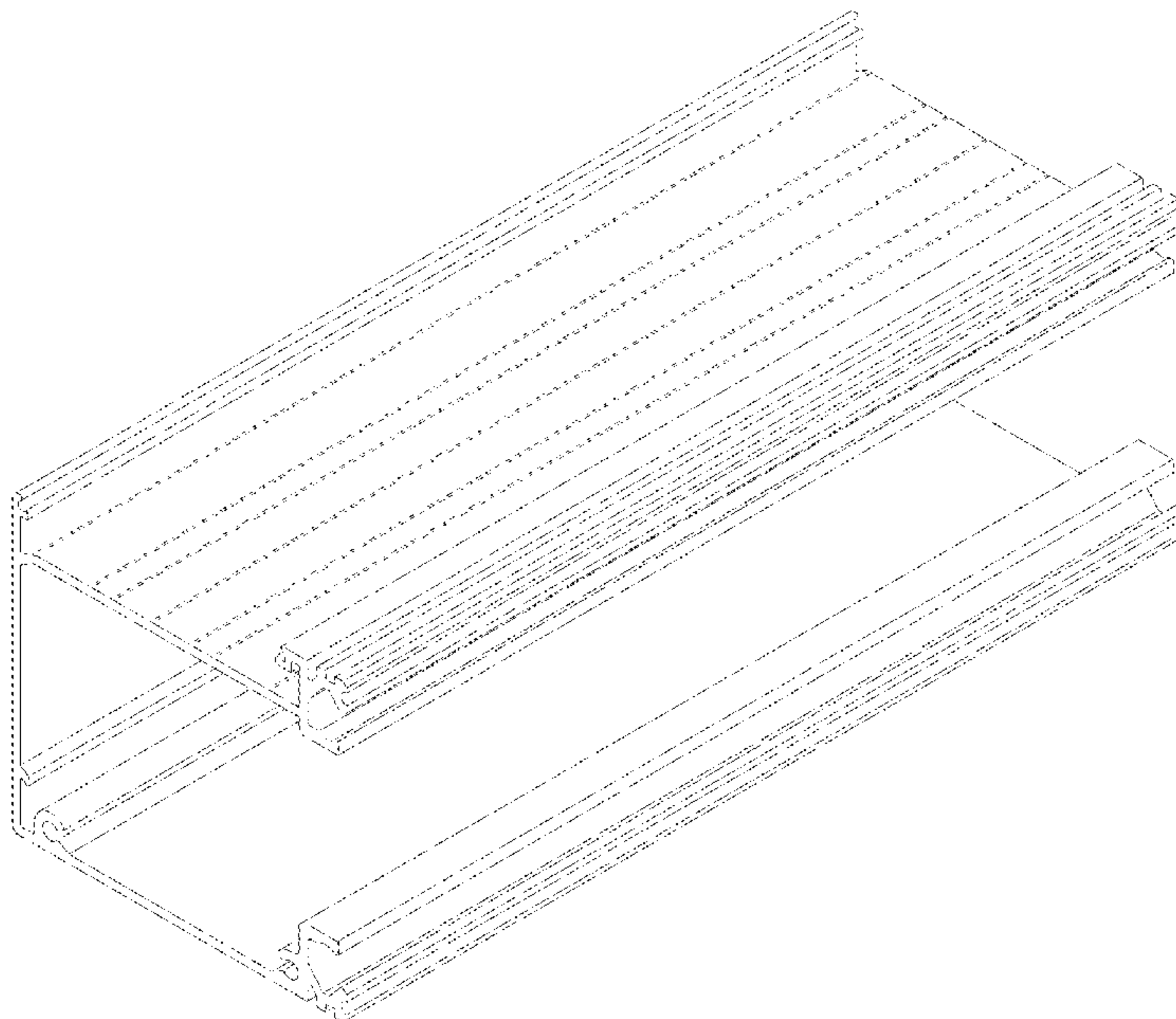
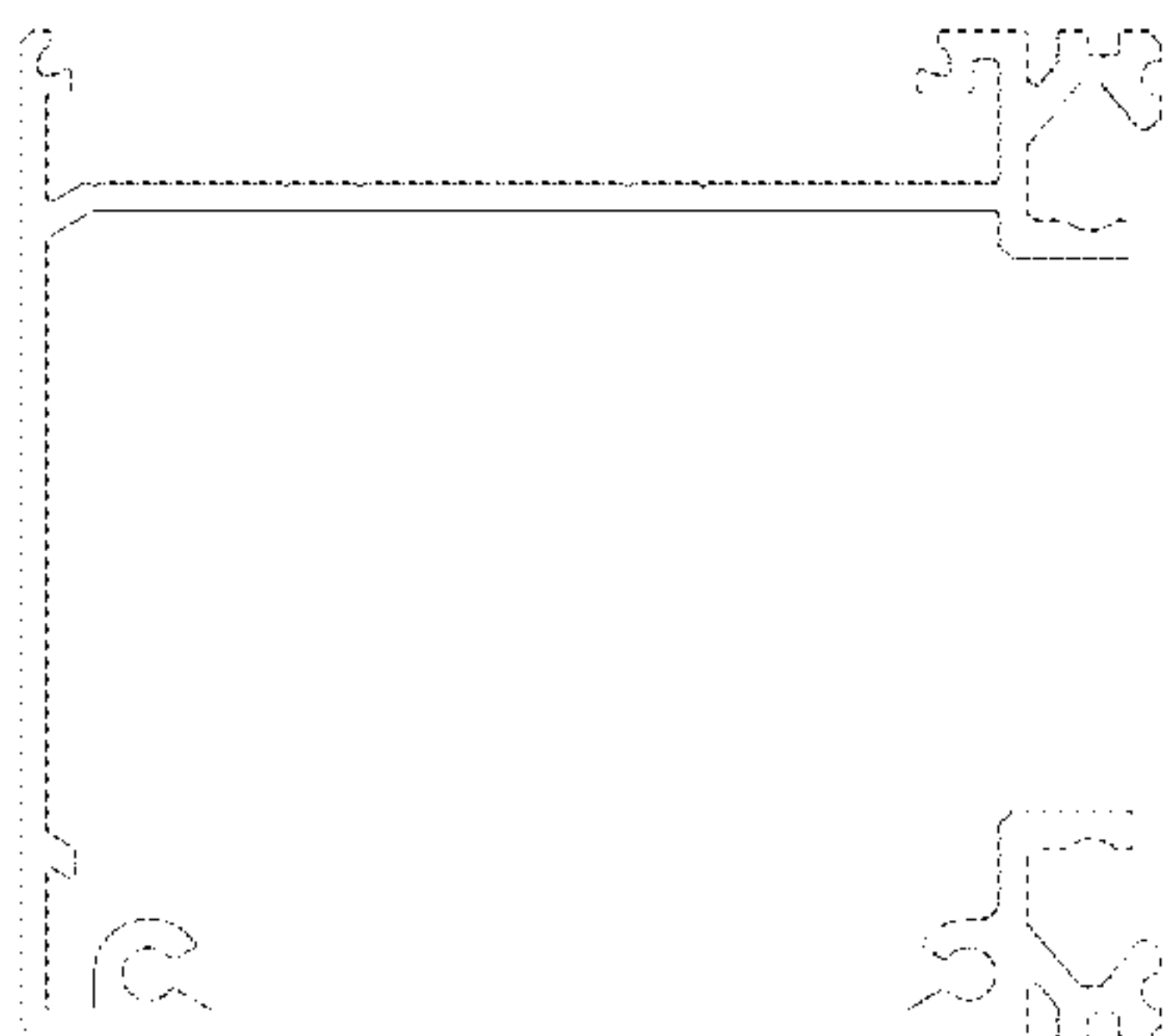
*Primary Examiner* — Caron D Veynar  
*Assistant Examiner* — Natasha Vujcic  
(74) *Attorney, Agent, or Firm* — Mark Terry

(57) **CLAIM**  
The ornamental design for housing for a LED based lighting apparatus, as shown and described.

**DESCRIPTION**

FIG. 1 is a side view of a housing for a LED based lighting apparatus, showing the new design;  
FIG. 2 is a front view thereof;  
FIG. 3 is a rear view thereof;  
FIG. 4 is a top view thereof;  
FIG. 5 is a bottom thereof;  
FIG. 6 is a front perspective view thereof; and,  
FIG. 7 is a rear perspective view thereof.  
The broken lines in the drawings illustrate portions of the housing for a LED based lighting apparatus which form no part of the claimed design.

**1 Claim, 7 Drawing Sheets**



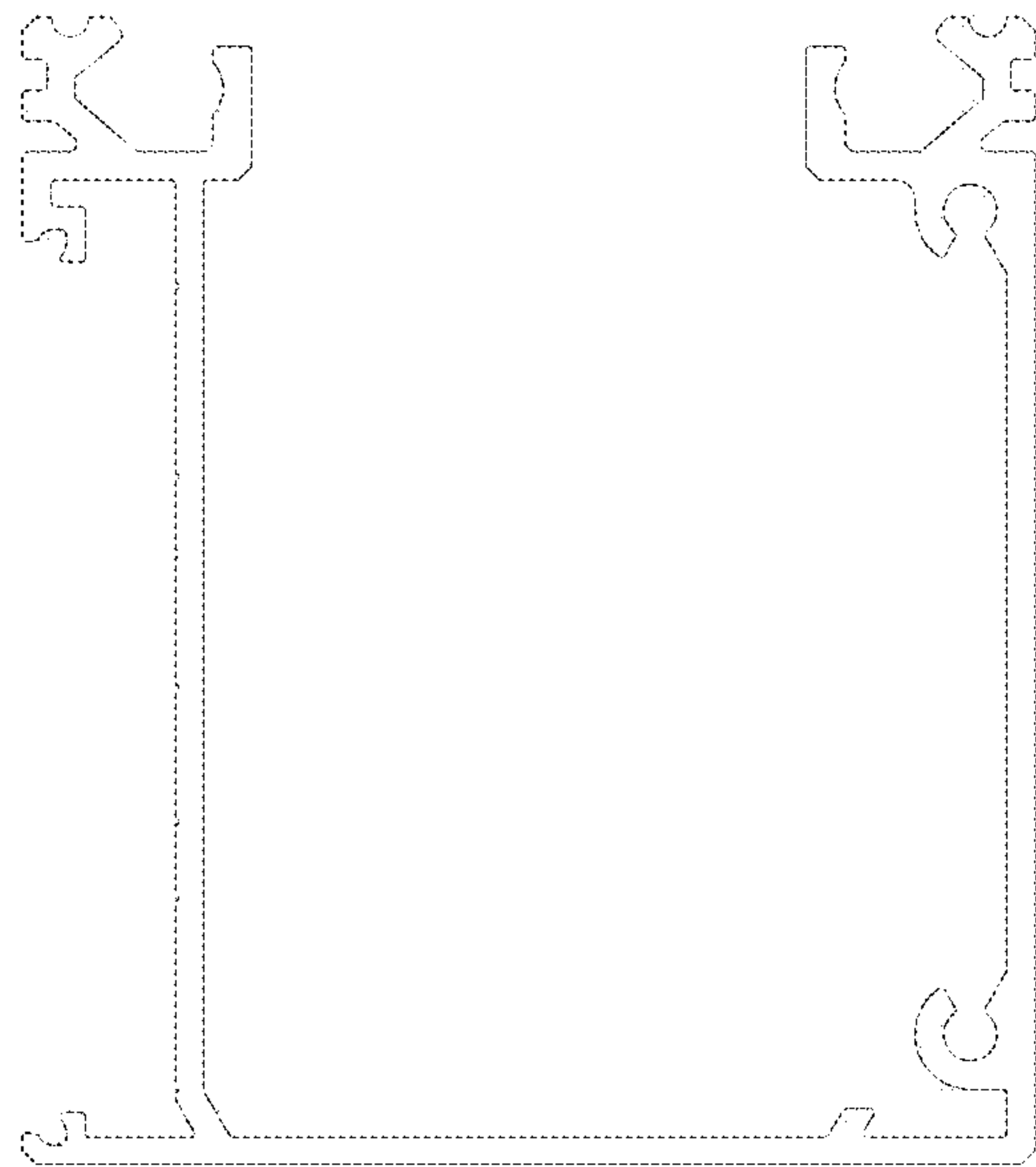


FIG. 1

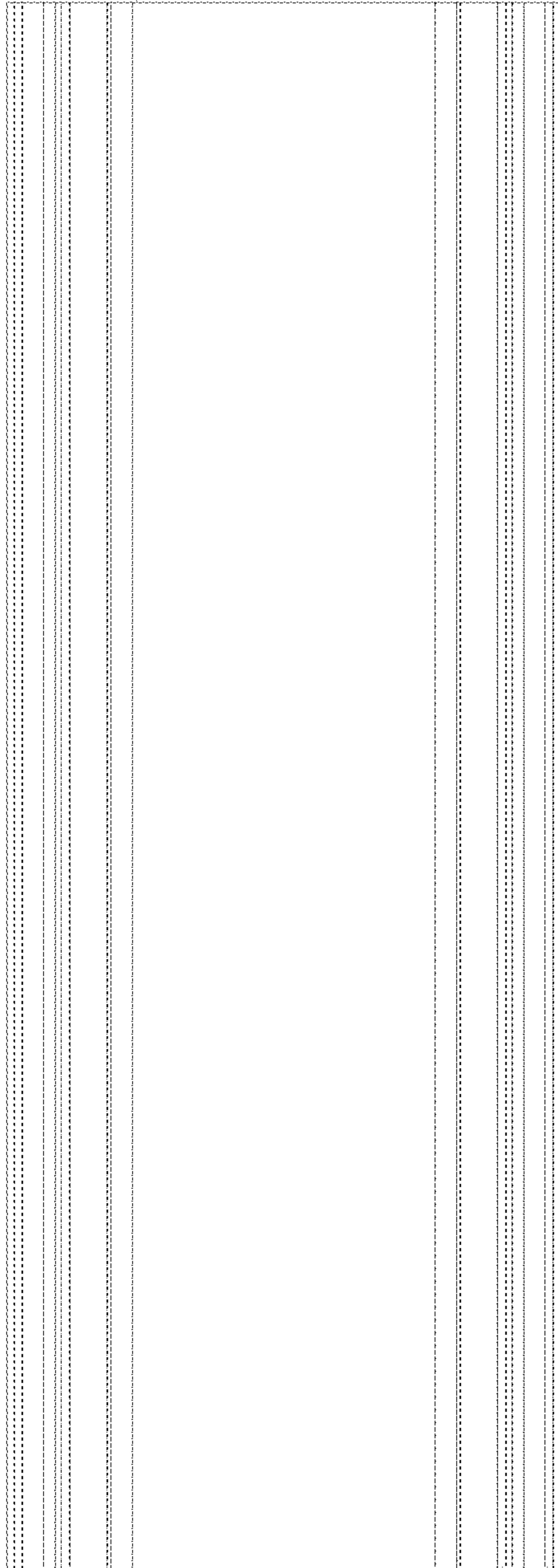
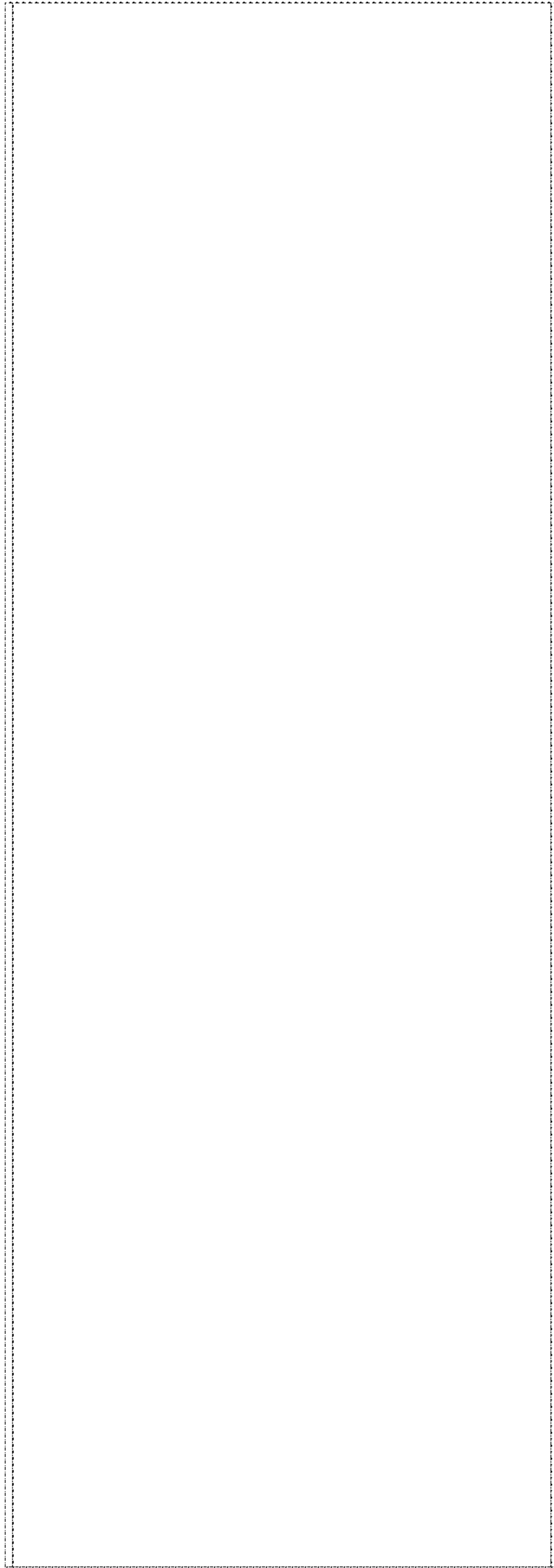


FIG.2



**FIG.3**

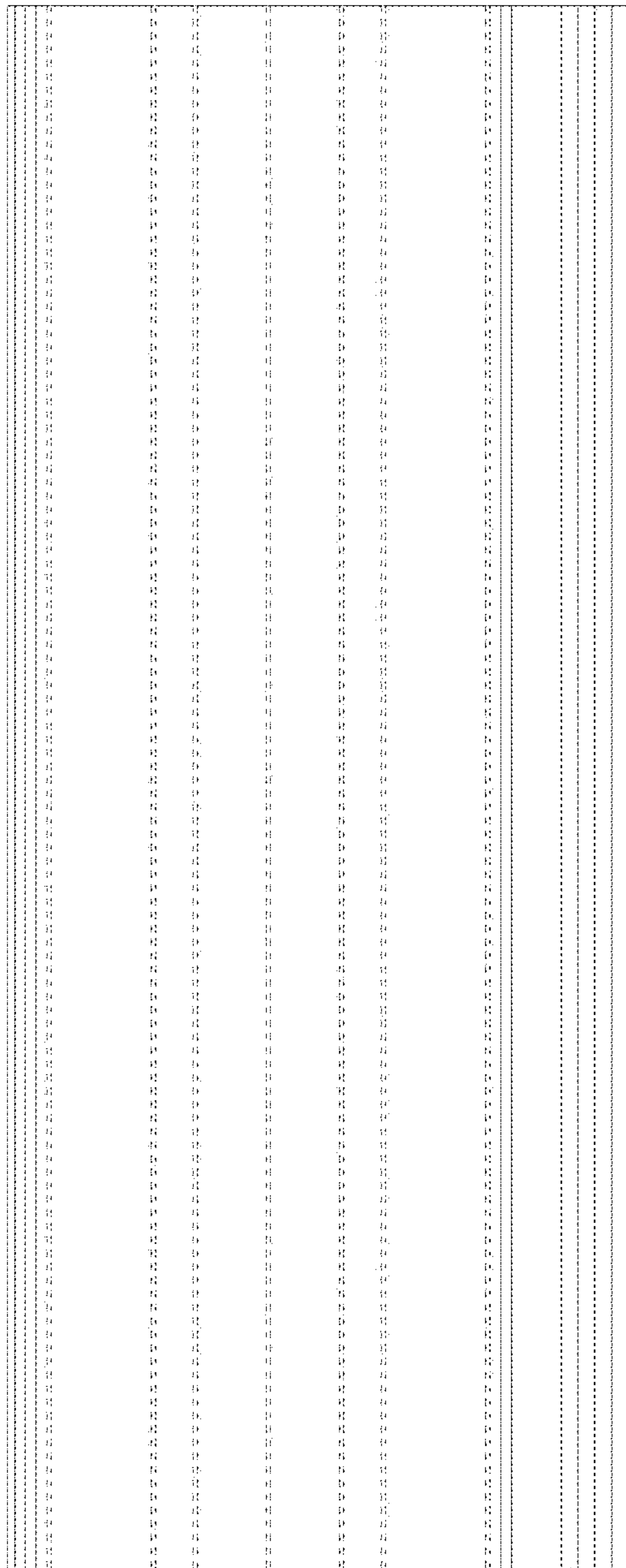


FIG.4

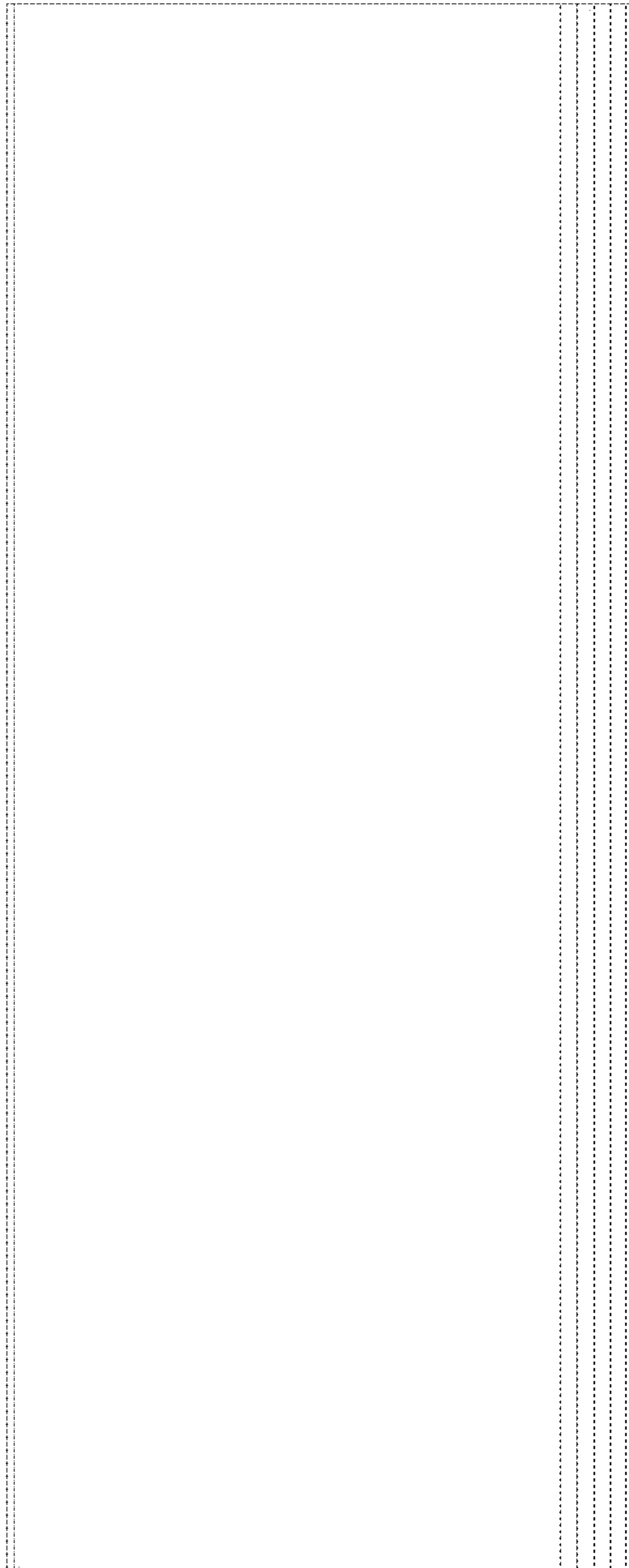


FIG.5



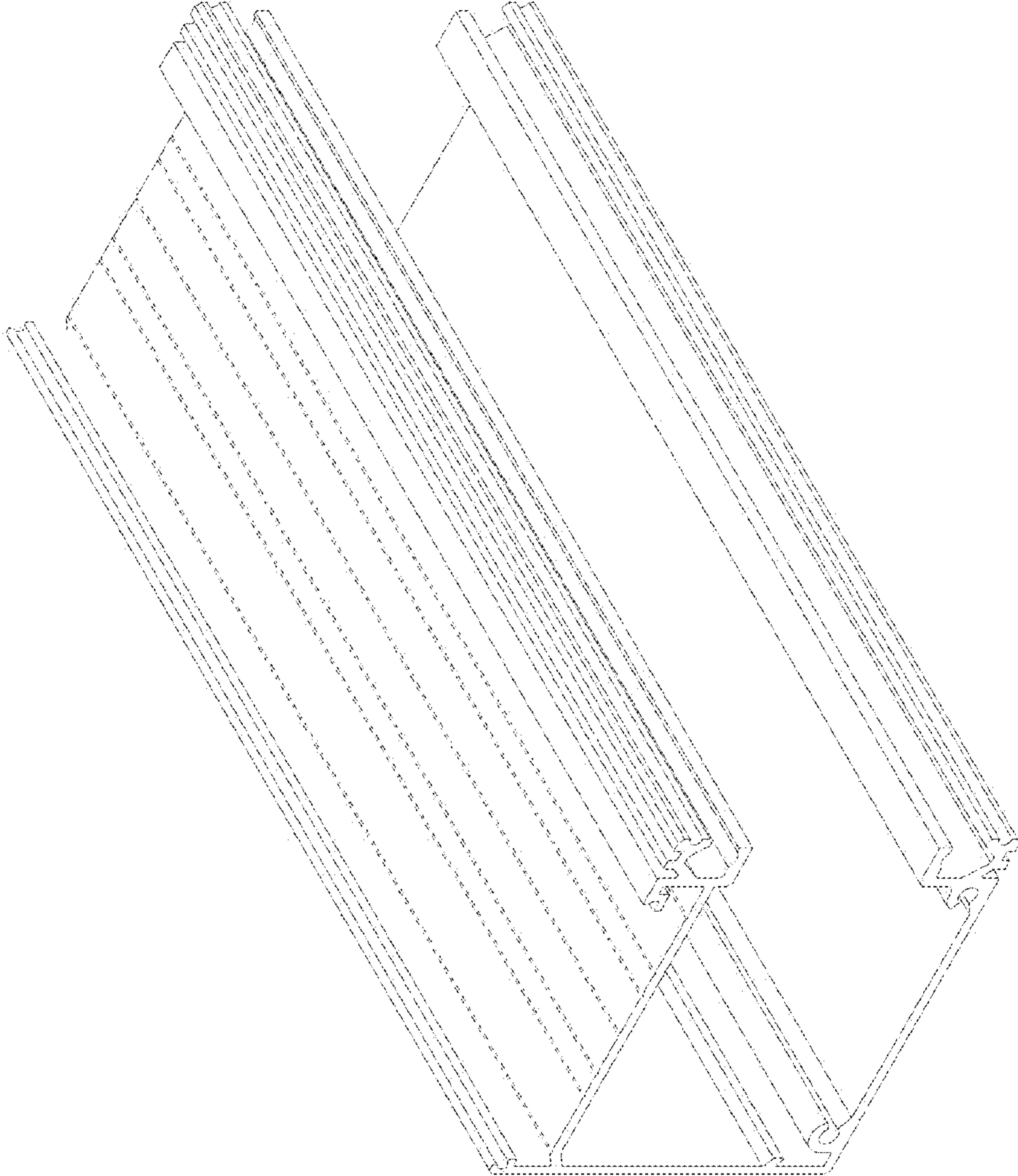


FIG.6

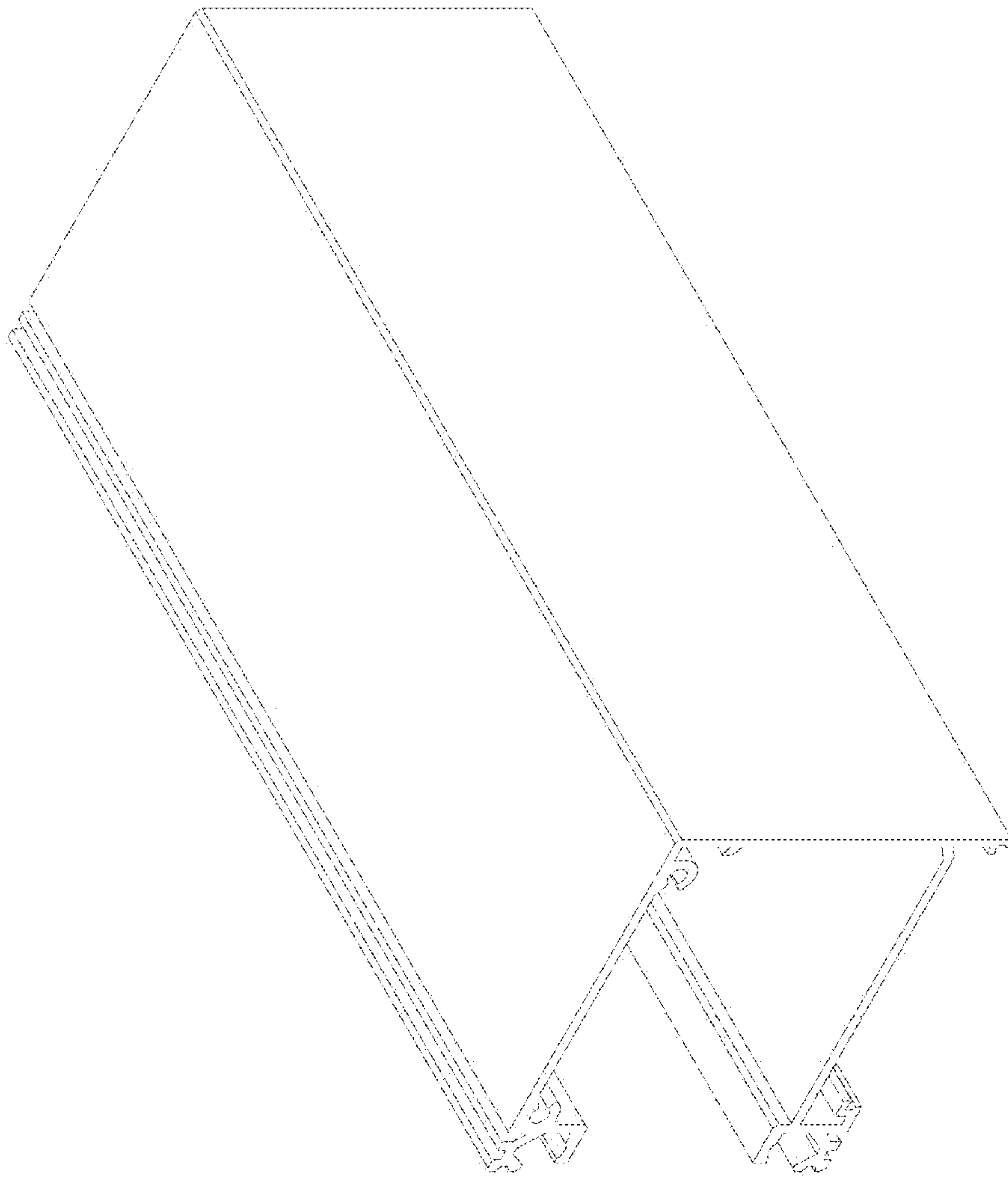


FIG.7