



US00D73353S

(12) **United States Design Patent**
Klus

(10) **Patent No.:** **US D733,353 S**

(45) **Date of Patent:** **** Jun. 30, 2015**

(54) **HOUSING FOR A LED BASED LIGHTING APPARATUS**

(71) Applicant: **Sylwester Klus**, Kamionka (PL)

(72) Inventor: **Sylwester Klus**, Kamionka (PL)

(**) Term: **14 Years**

(21) Appl. No.: **29/502,255**

(22) Filed: **Sep. 12, 2014**

(51) **LOC (10) Cl.** **26-99**

(52) **U.S. Cl.**
USPC **D26/138**

(58) **Field of Classification Search**
USPC D26/24, 26, 39, 42, 67, 68, 72, 74, 75,
D26/79, 85, 88, 89, 91, 96, 108, 109, 113,
D26/118, 120, 122, 129, 138, 140, 141,
D26/142; D13/179, 180; D25/60, 119, 122,
D25/124, 125; 362/23.07, 23.09, 23.16,
362/145, 217.01, 217.02, 255, 257, 270,
362/277, 317, 362, 555, 611, 612, 614,
362/800; 174/68.3, 101
CPC F21S 4/00; F21S 4/003; F21S 4/006;
F21S 4/007; F21S 4/008; F21S 6/004; F21S
6/005; F21S 9/037; F21K 9/54; F21V 15/01;
F21V 15/013

See application file for complete search history.

(56) **References Cited**

U.S. PATENT DOCUMENTS

3,302,350	A *	2/1967	Brown et al.	174/101
D247,194	S *	2/1978	Win	D26/152
D489,830	S *	5/2004	Barnett	D25/119
D563,124	S *	3/2008	Walter	D6/509
D611,169	S *	3/2010	Harder	D25/122
D621,090	S *	8/2010	Klu	D26/138
D621,091	S *	8/2010	Klu	D26/138
D623,342	S *	9/2010	Klu	D26/138
D705,982	S *	5/2014	Klus	D26/138
8,779,290	B1 *	7/2014	DePaul	174/68.3

* cited by examiner

Primary Examiner — Caron D Veynar

Assistant Examiner — Natasha Vujcic

(74) *Attorney, Agent, or Firm* — Mark Terry

(57) **CLAIM**

The ornamental design for housing for a LED based lighting apparatus, as shown and described.

DESCRIPTION

FIG. 1 is a side view of a housing for a LED based lighting apparatus, showing the new design;

FIG. 2 is a rear view thereof;

FIG. 3 is a front view thereof;

FIG. 4 is a top view thereof;

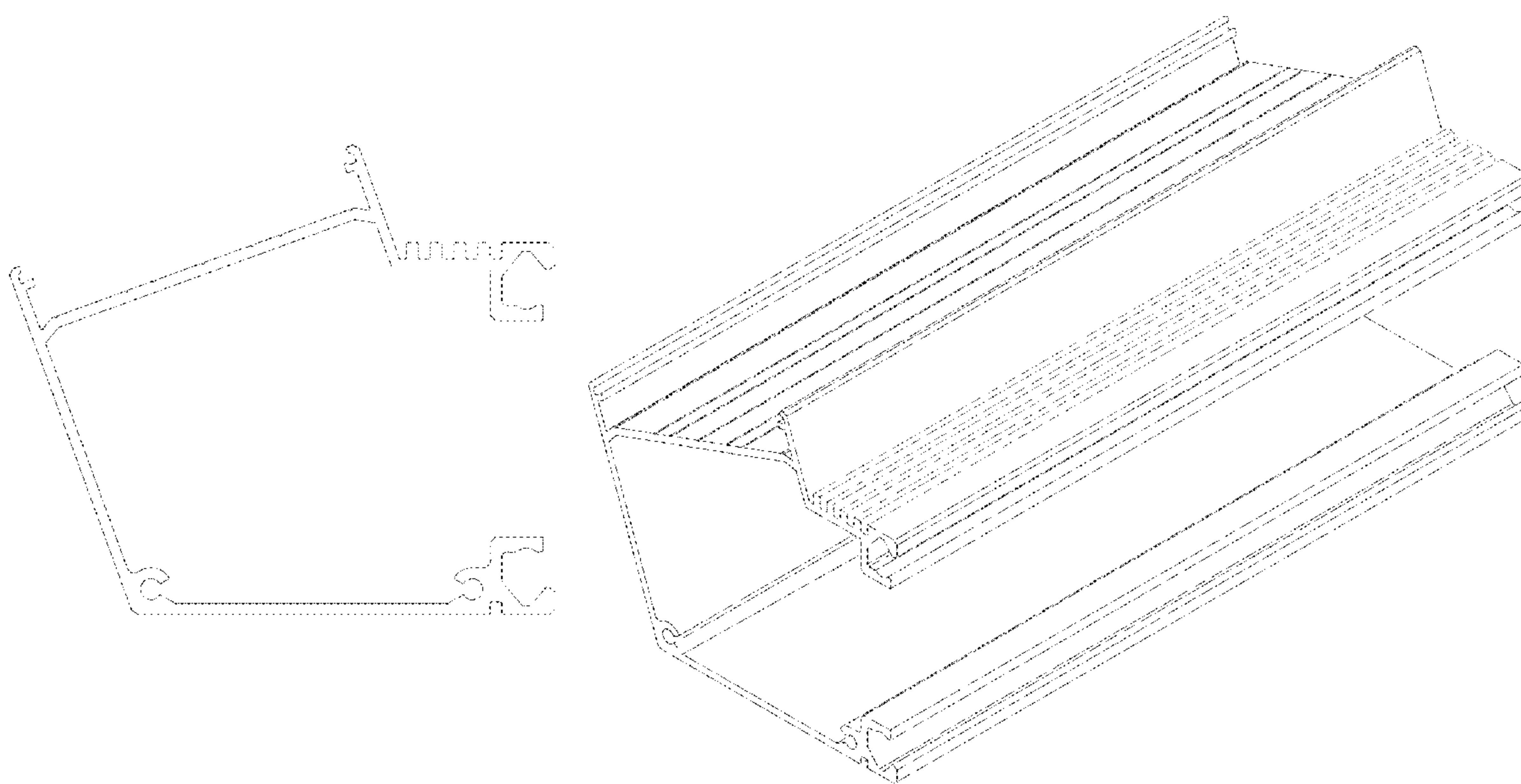
FIG. 5 is a bottom view thereof;

FIG. 6 is a front perspective view thereof; and,

FIG. 7 is a rear perspective view thereof.

The broken lines in the drawings illustrate portions of the housing for a LED based lighting apparatus which form no part of the claimed design.

1 Claim, 7 Drawing Sheets



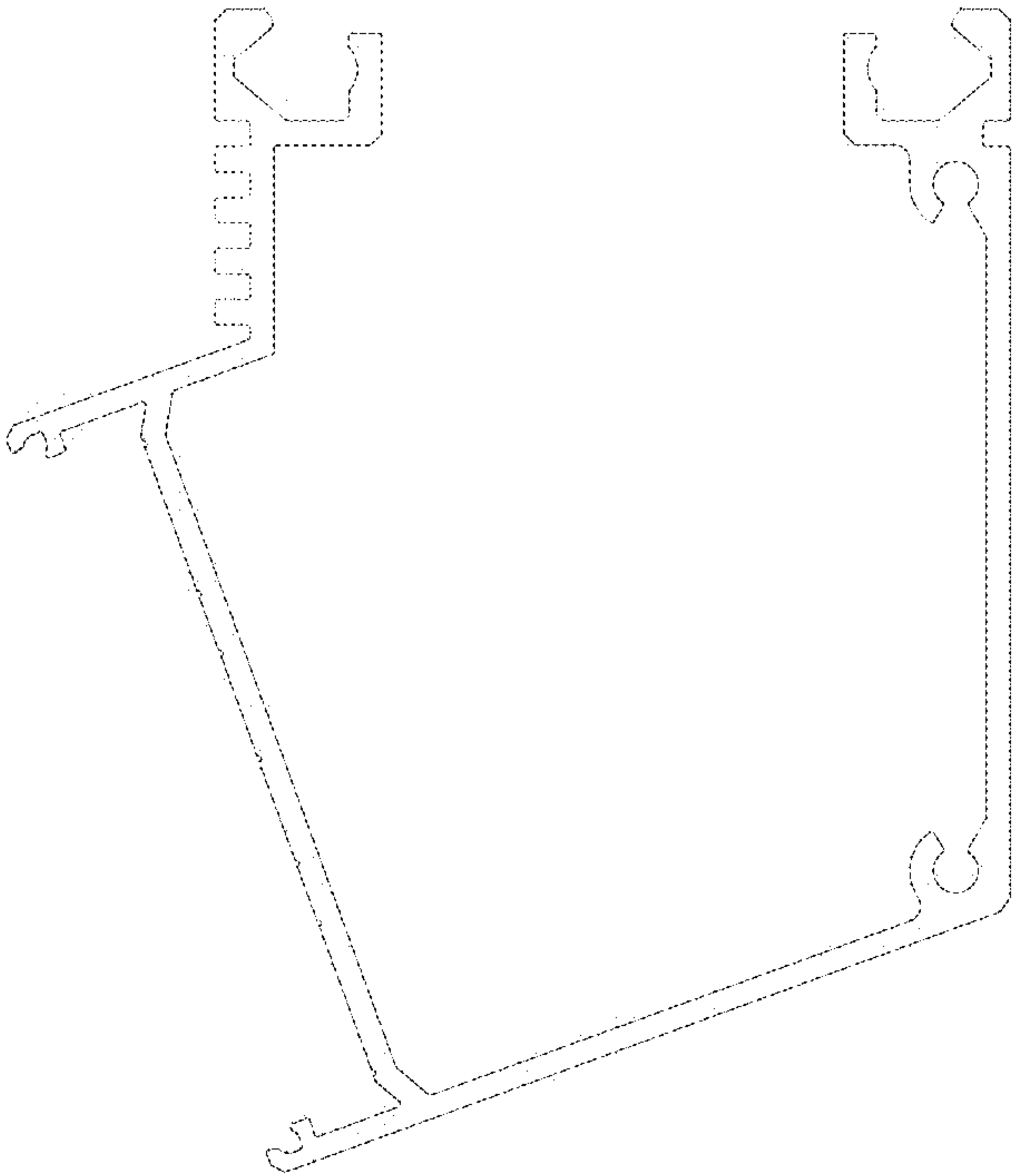


FIG. 1

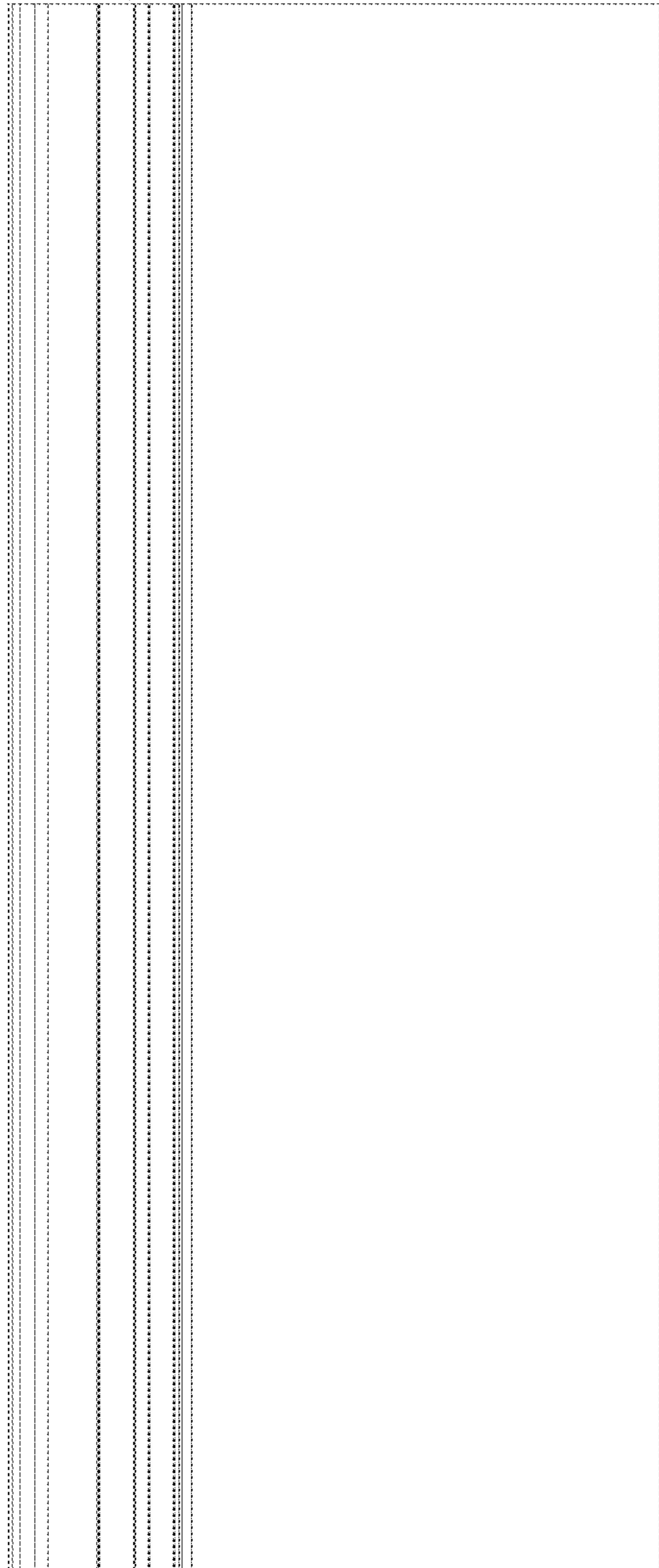


FIG.2

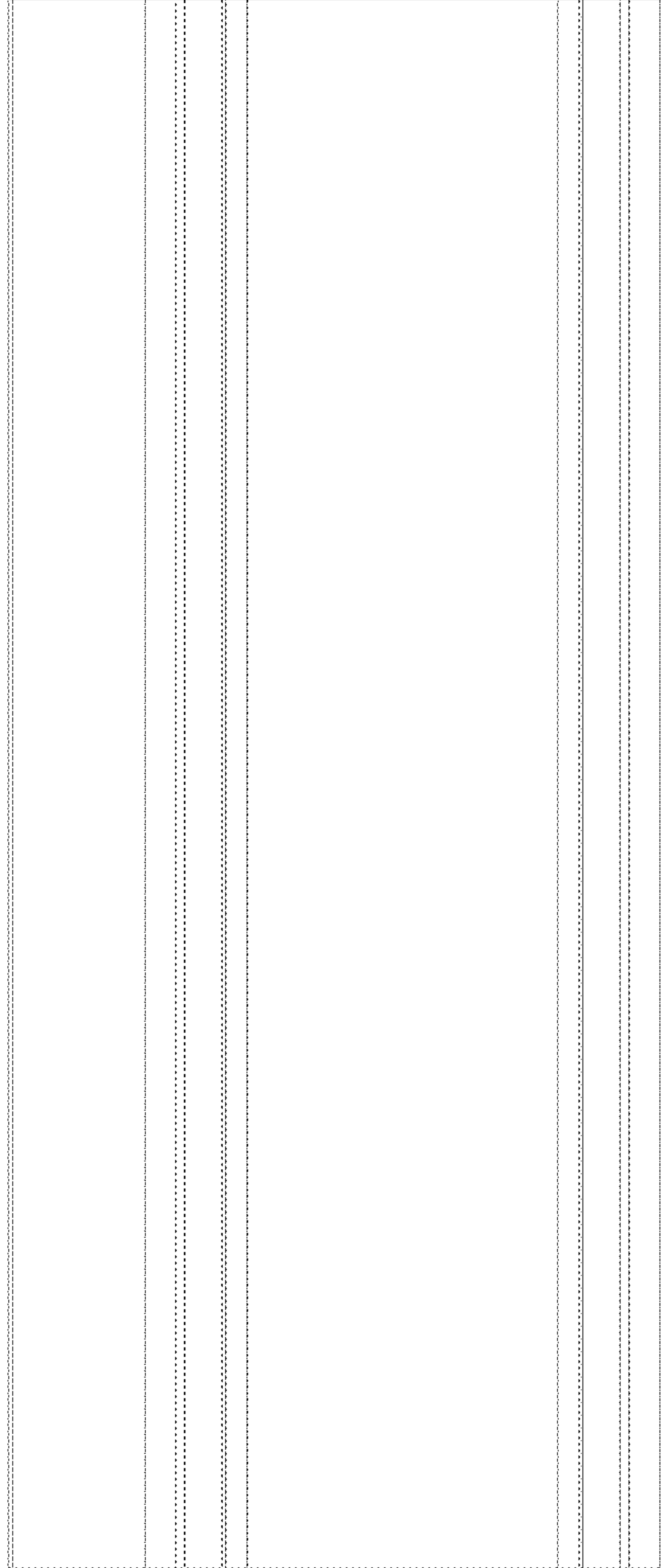


FIG.3

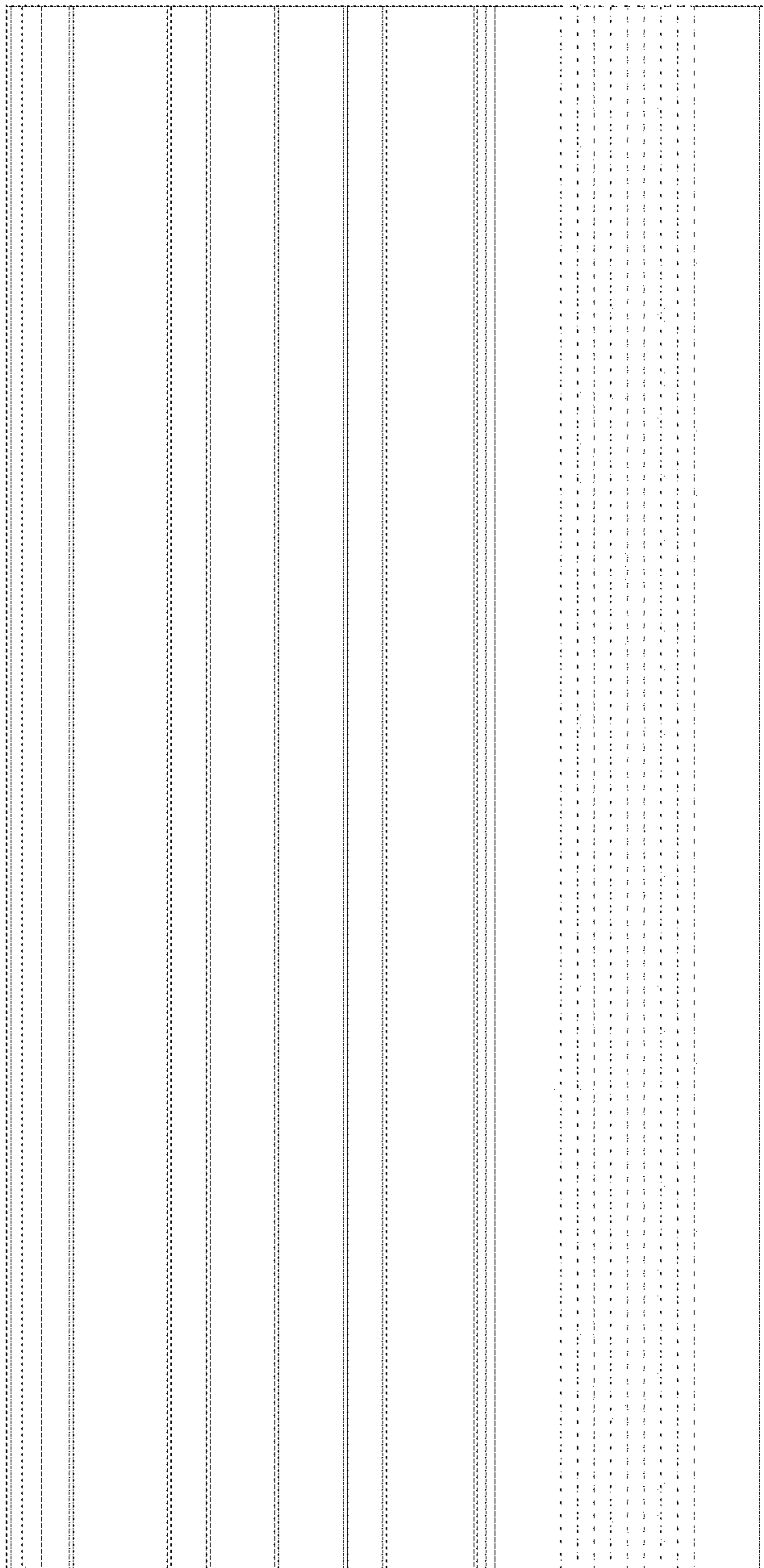


FIG.4

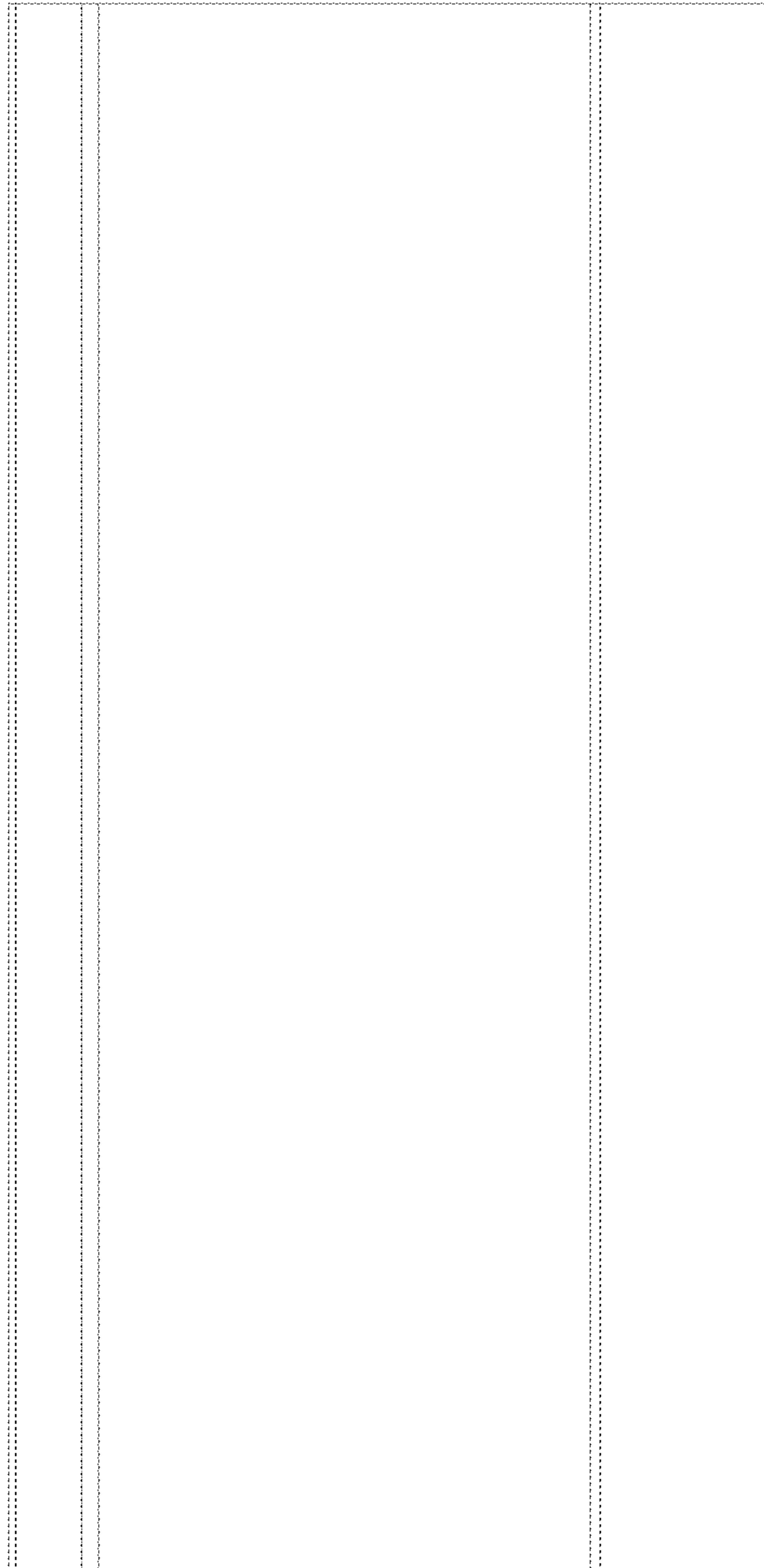


FIG.5

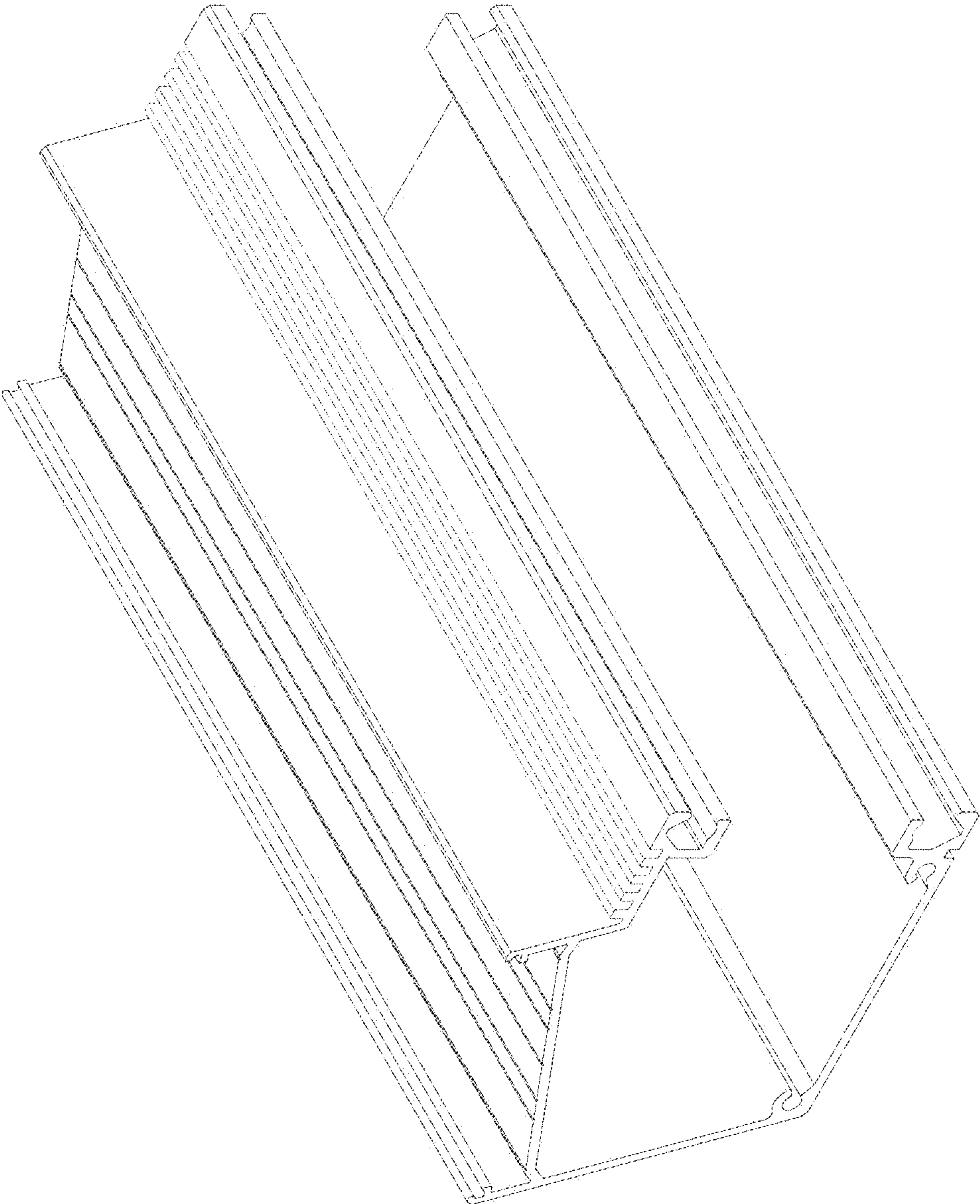


FIG.6

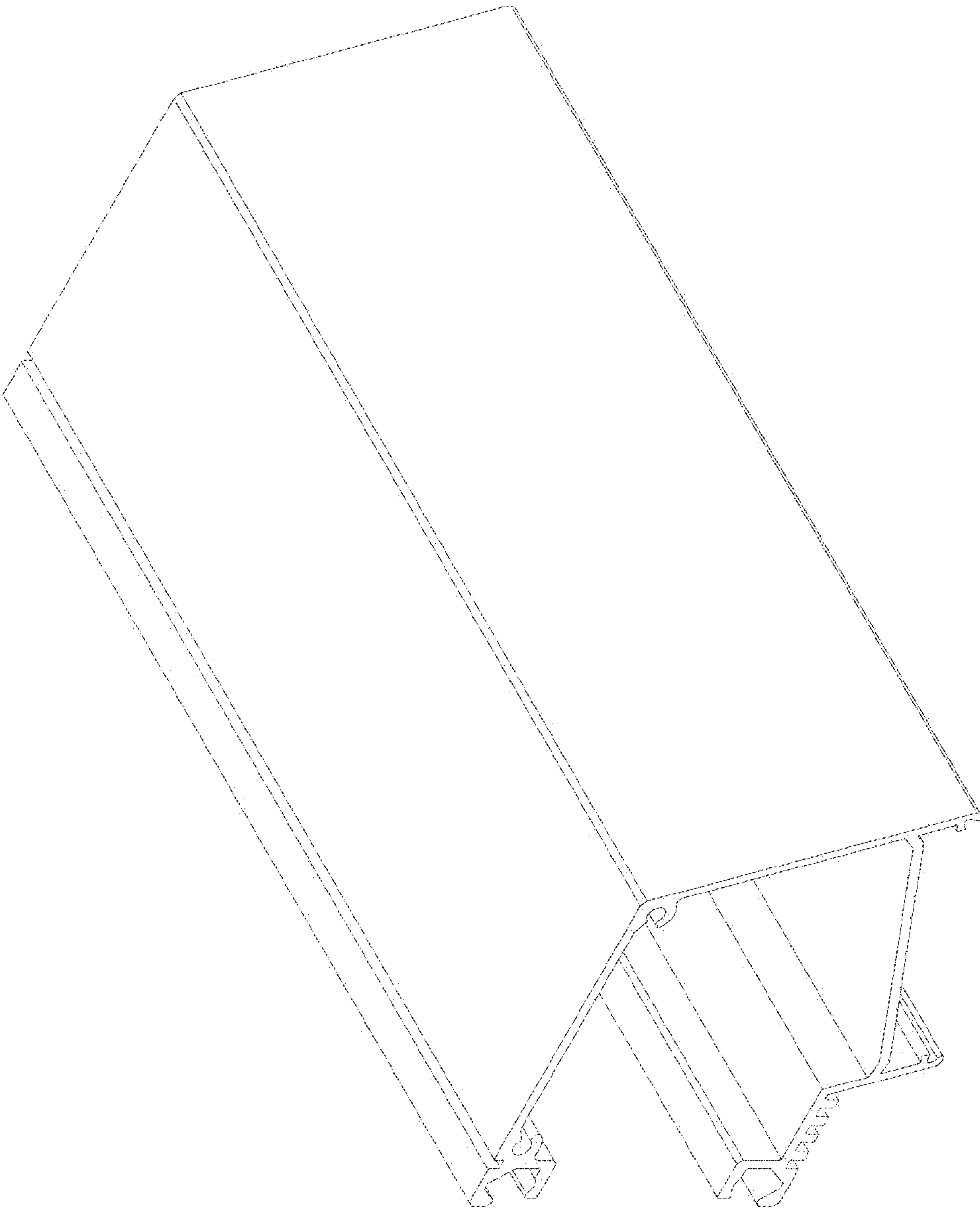


FIG. 7