



US00D733352S

(12) **United States Design Patent**  
**Casper et al.**

(10) **Patent No.:** **US D733,352 S**  
(45) **Date of Patent:** **\*\* Jun. 30, 2015**

(54) **LIGHTING DEVICE**

(56) **References Cited**

- (71) Applicant: **Ephesus Lighting, Inc.**, Syracuse, NY (US)
- (72) Inventors: **Joseph R. Casper**, Syracuse, NY (US); **Christopher D. Nolan**, Syracuse, NY (US); **Joseph J. Witkowski**, Syracuse, NY (US); **Jeff R. Shuster**, Syracuse, NY (US); **Brian M. Wilson**, Syracuse, NY (US)
- (73) Assignee: **EPHESUS LIGHTING, INC.**, Syracuse, NY (US)
- (\*\*) Term: **14 Years**
- (21) Appl. No.: **29/476,803**
- (22) Filed: **Dec. 17, 2013**
- (51) **LOC (10) Cl.** ..... **26-99**
- (52) **U.S. Cl.**  
USPC ..... **D26/138; D26/2**
- (58) **Field of Classification Search**  
USPC ..... D26/3, 24, 35, 39, 42, 71, 72, 75, 76, D26/78, 79, 80, 81, 82, 83, 85, 88, 90, 118, D26/119, 120, 121, 122, 138; 362/23.07, 362/23.09, 23.16, 217.01, 217.02, 217.05, 362/217.08, 217.09, 249.02, 260, 311.02, 362/555, 612, 614, 800  
CPC ..... F21S 4/00; F21S 4/003; F21S 4/006; F21S 4/007; F21S 4/008; F21S 6/004; F21S 6/005; F21K 9/54; F21V 15/01; F21V 15/013  
See application file for complete search history.

U.S. PATENT DOCUMENTS

D629,930 S *	12/2010	Cotter et al. ....	D26/2
D656,664 S *	3/2012	Son .....	D26/118
D661,822 S *	6/2012	Jeon et al. ....	D26/2
D666,331 S *	8/2012	Chen .....	D26/2
D687,986 S *	8/2013	Maxik et al. ....	D26/2
D701,637 S *	3/2014	Xue et al. ....	D26/118
D706,460 S *	6/2014	Lu .....	D26/2
D709,642 S *	7/2014	Maxik et al. ....	D26/113
D716,972 S *	11/2014	Yang et al. ....	D26/2
D717,476 S *	11/2014	Xue et al. ....	D26/2
D719,684 S *	12/2014	Grajcar .....	D26/2

\* cited by examiner

*Primary Examiner* — Caron D Veynar  
*Assistant Examiner* — Natasha Vujcic

(74) *Attorney, Agent, or Firm* — Fox Rothschild LLP

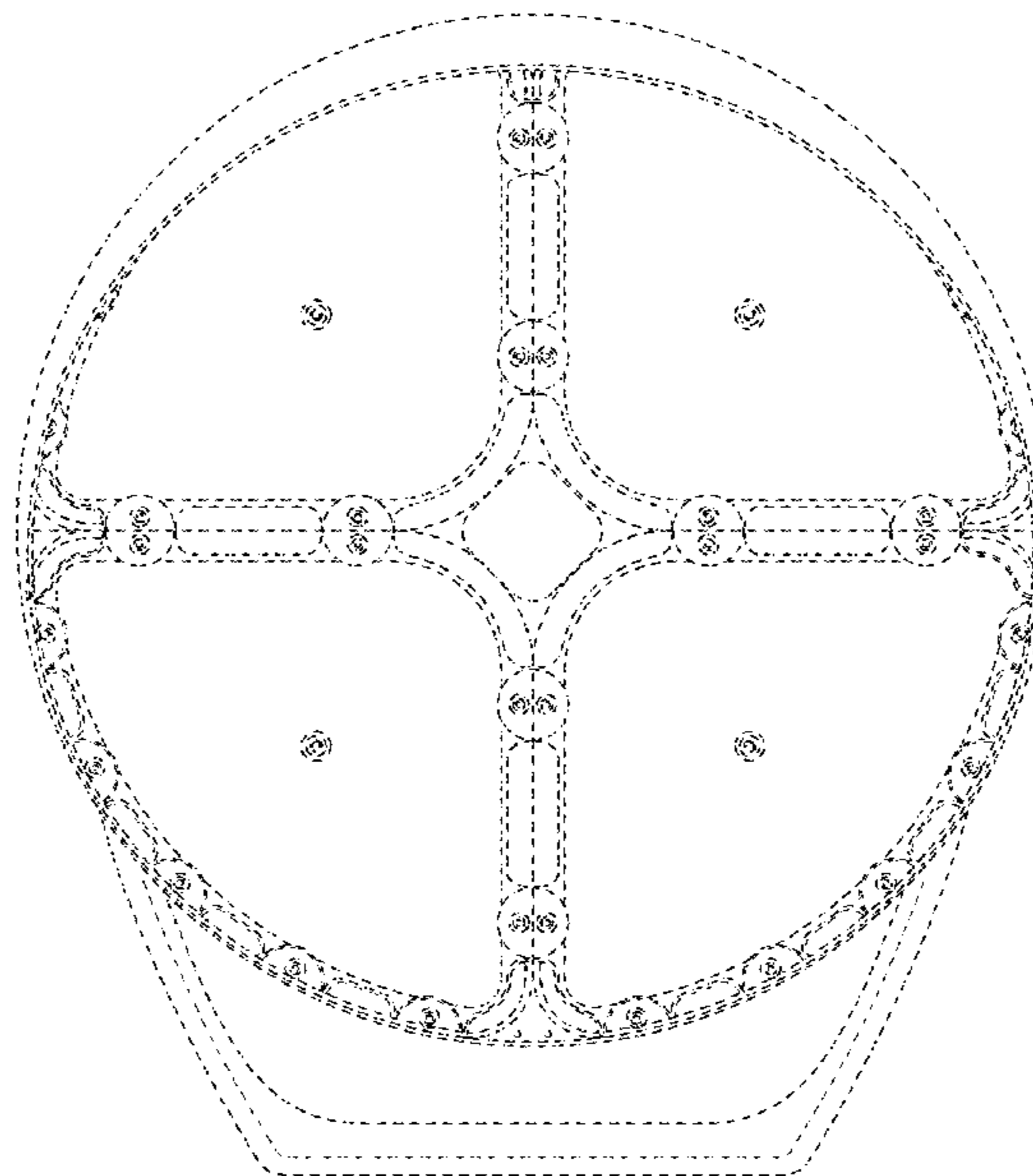
(57) **CLAIM**

The ornamental design for a lighting device, as shown and described.

**DESCRIPTION**

FIG. 1 is front view of a lighting device.  
 FIG. 2 is a perspective view of a lighting device from a first side.  
 FIG. 3 is a perspective view of a lighting device from a second side.  
 FIG. 4 is a top view of a lighting device.  
 FIG. 5 is a side view of a lighting device; and,  
 FIG. 6 is a bottom view of a lighting device.  
 The broken lines in the drawings illustrate portions of the lighting device which form no part of the claimed design.

**1 Claim, 6 Drawing Sheets**



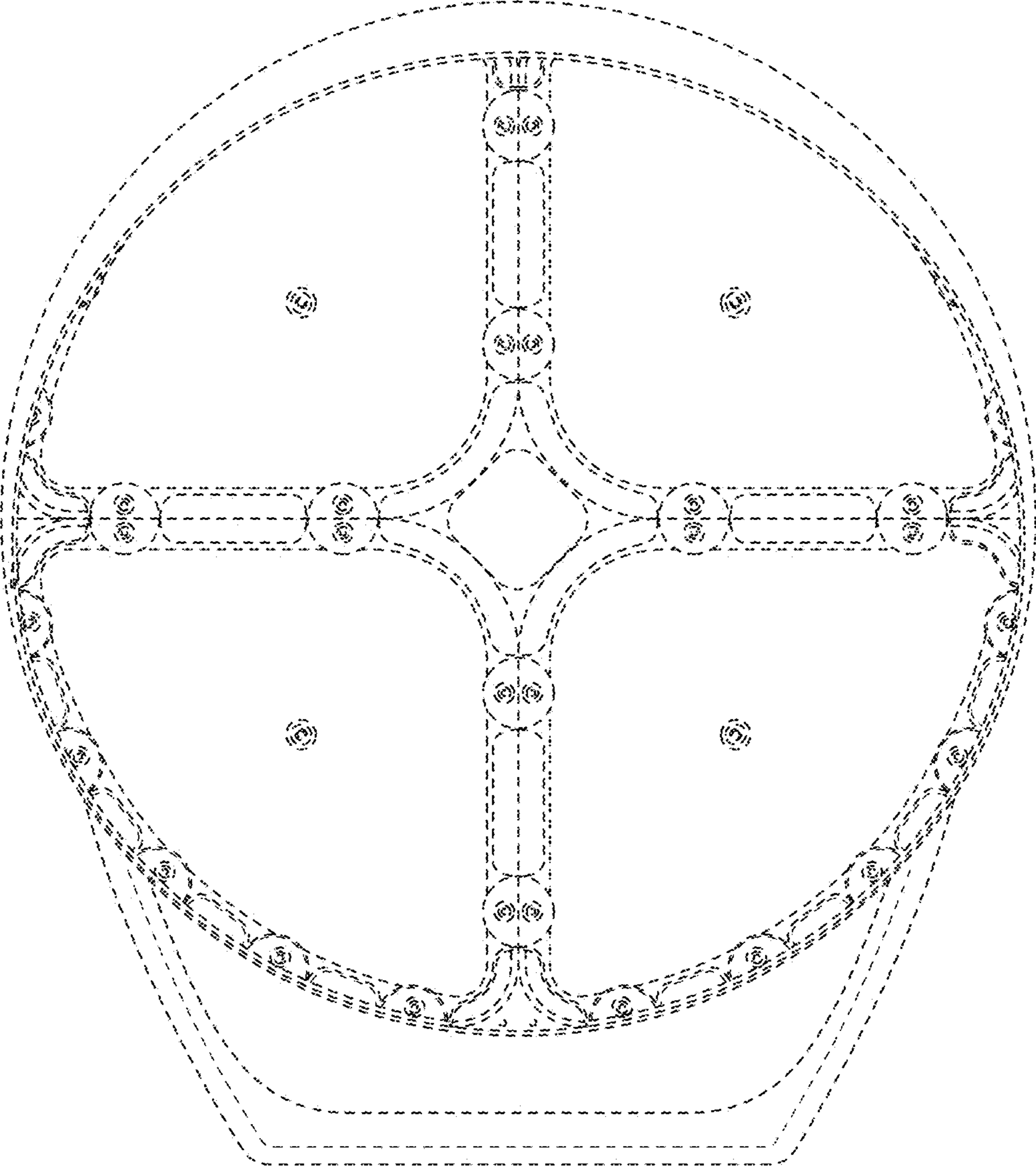


FIG. 1

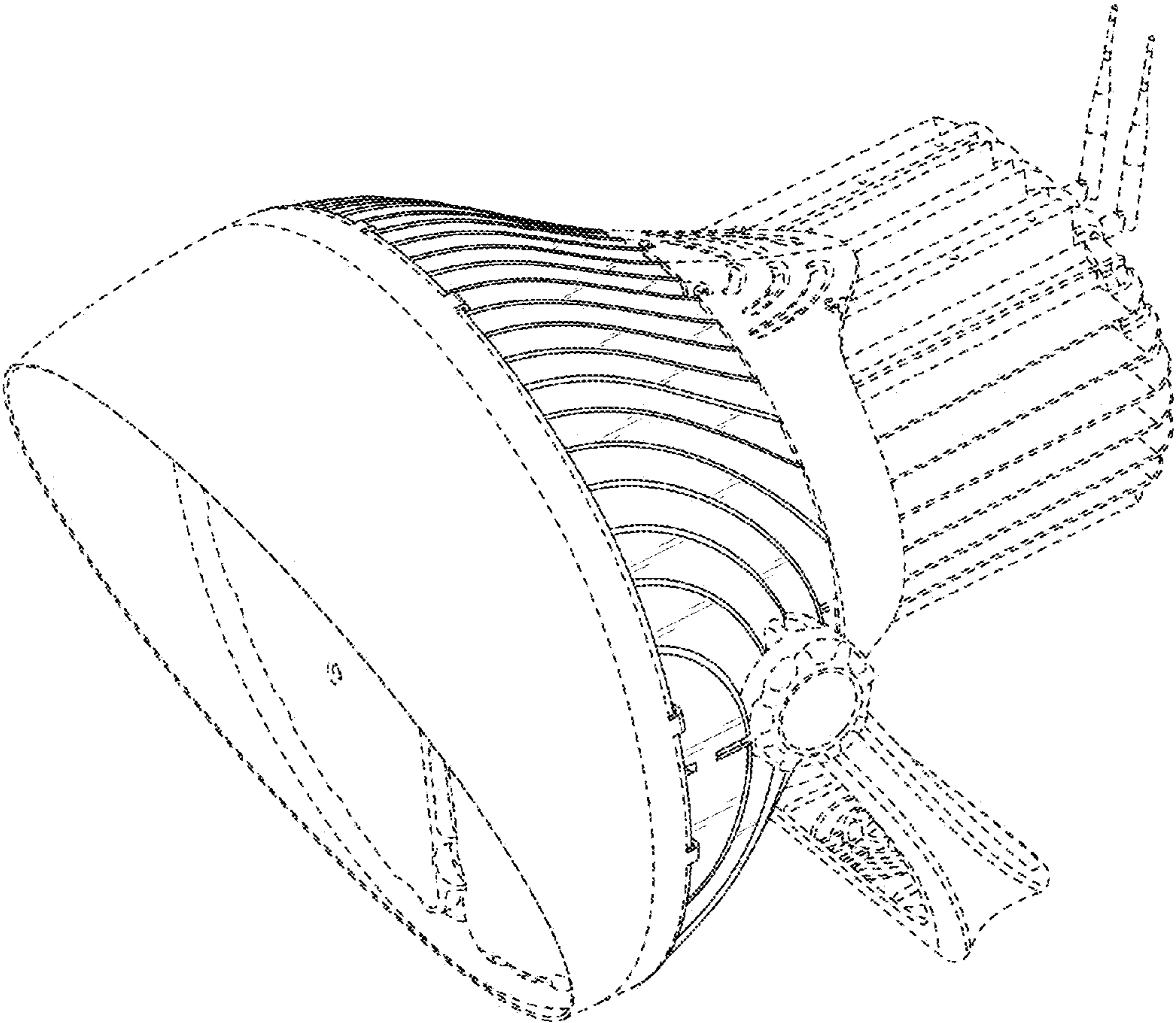


FIG. 2

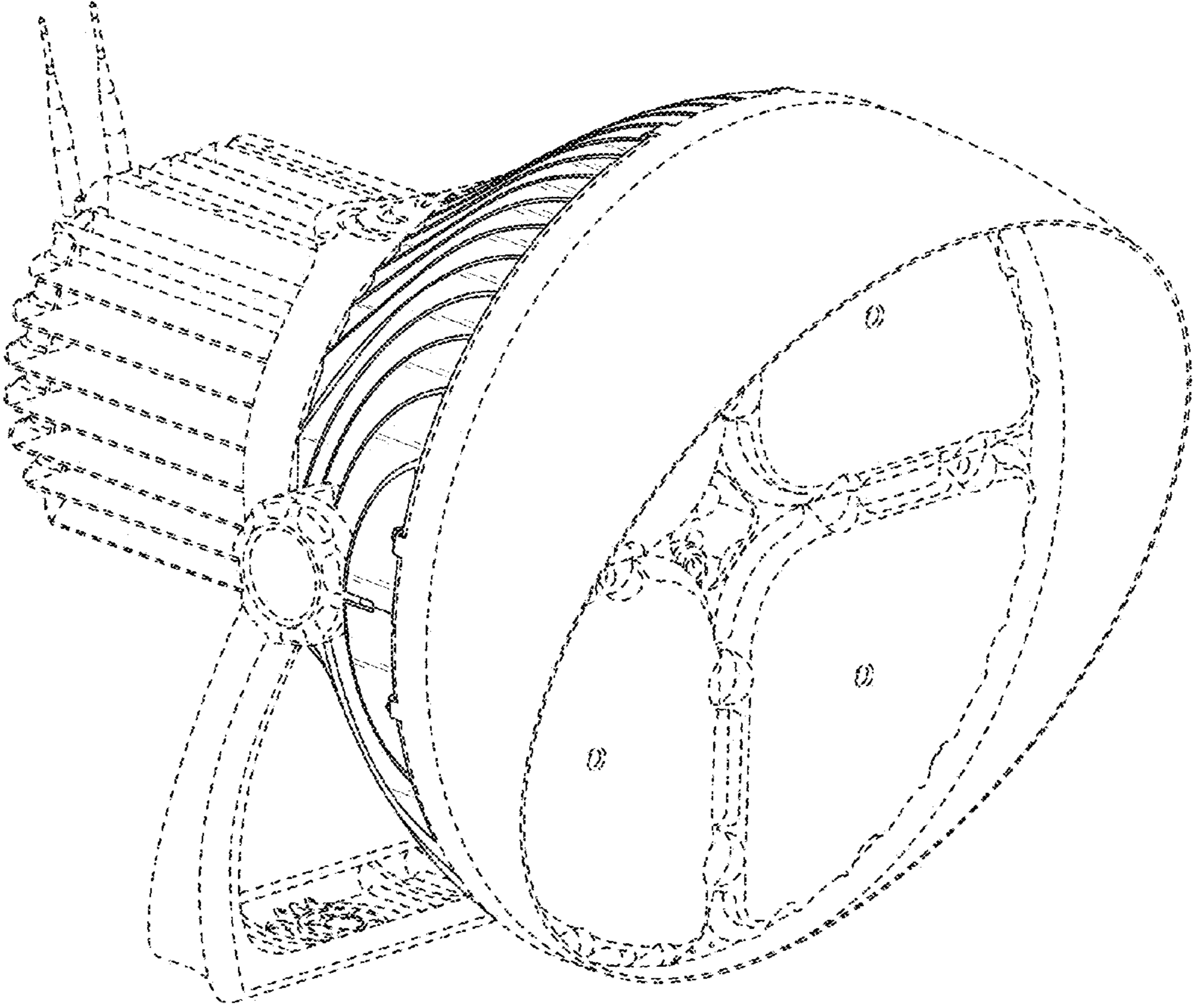


FIG. 3

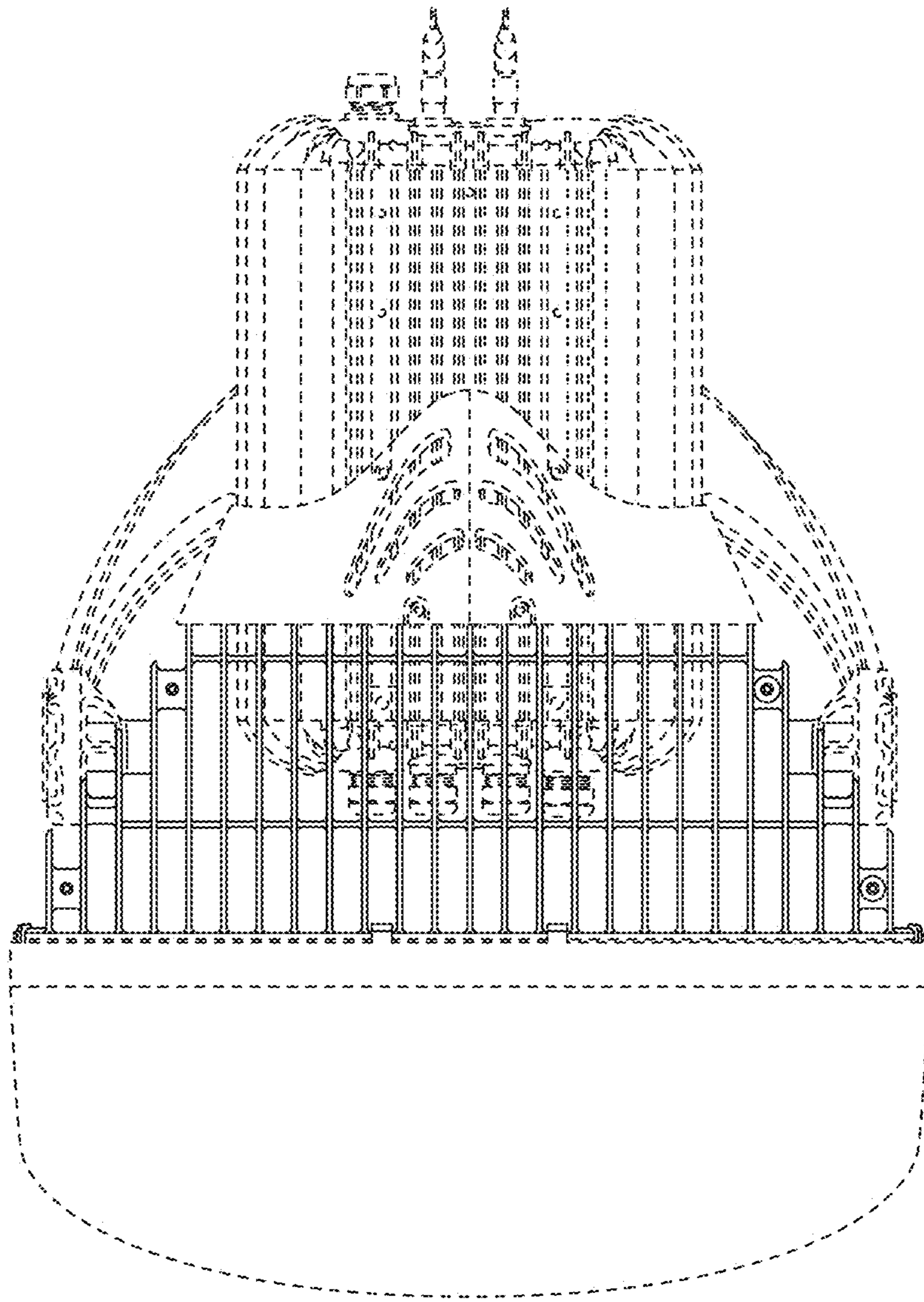


FIG. 4

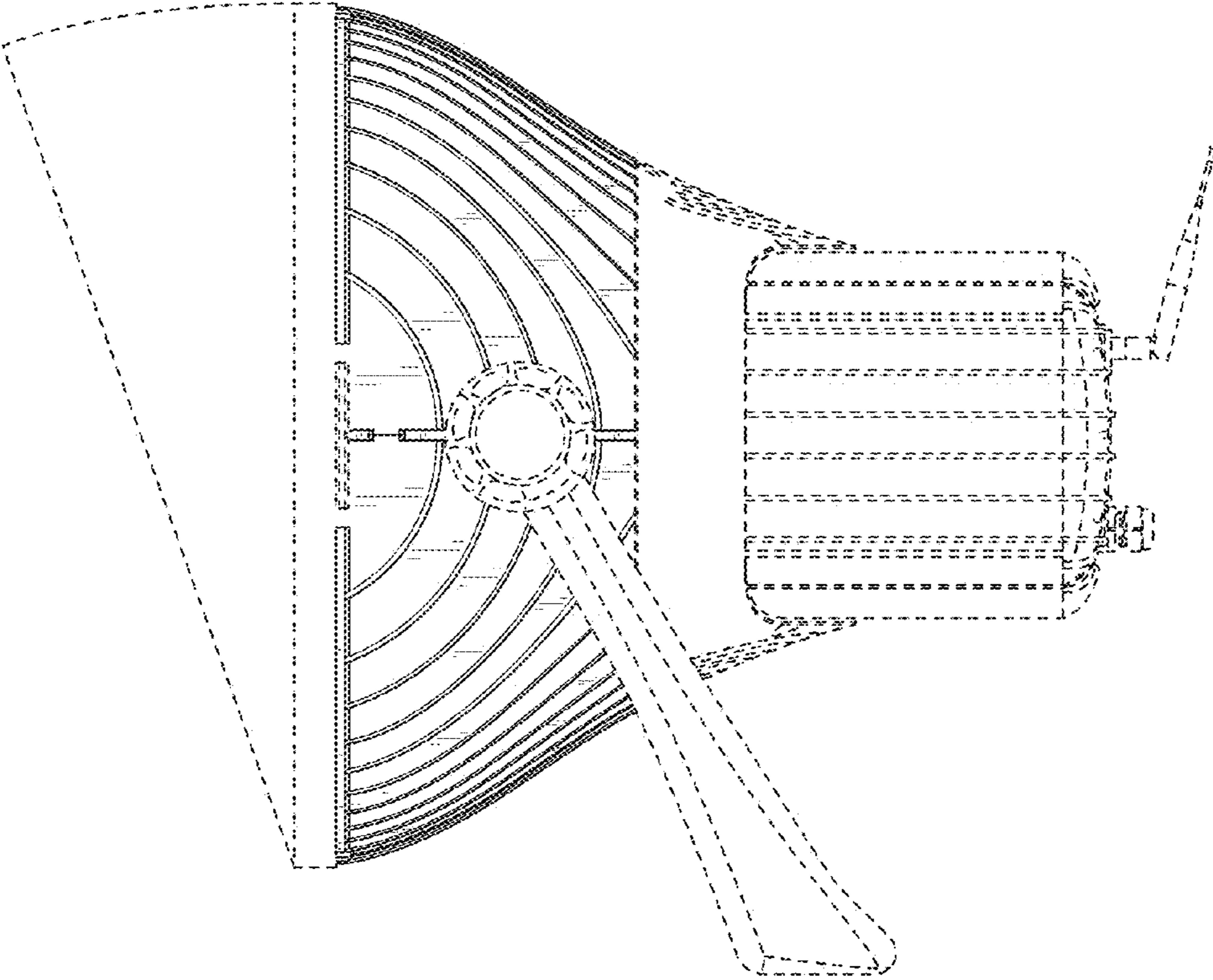


FIG. 5

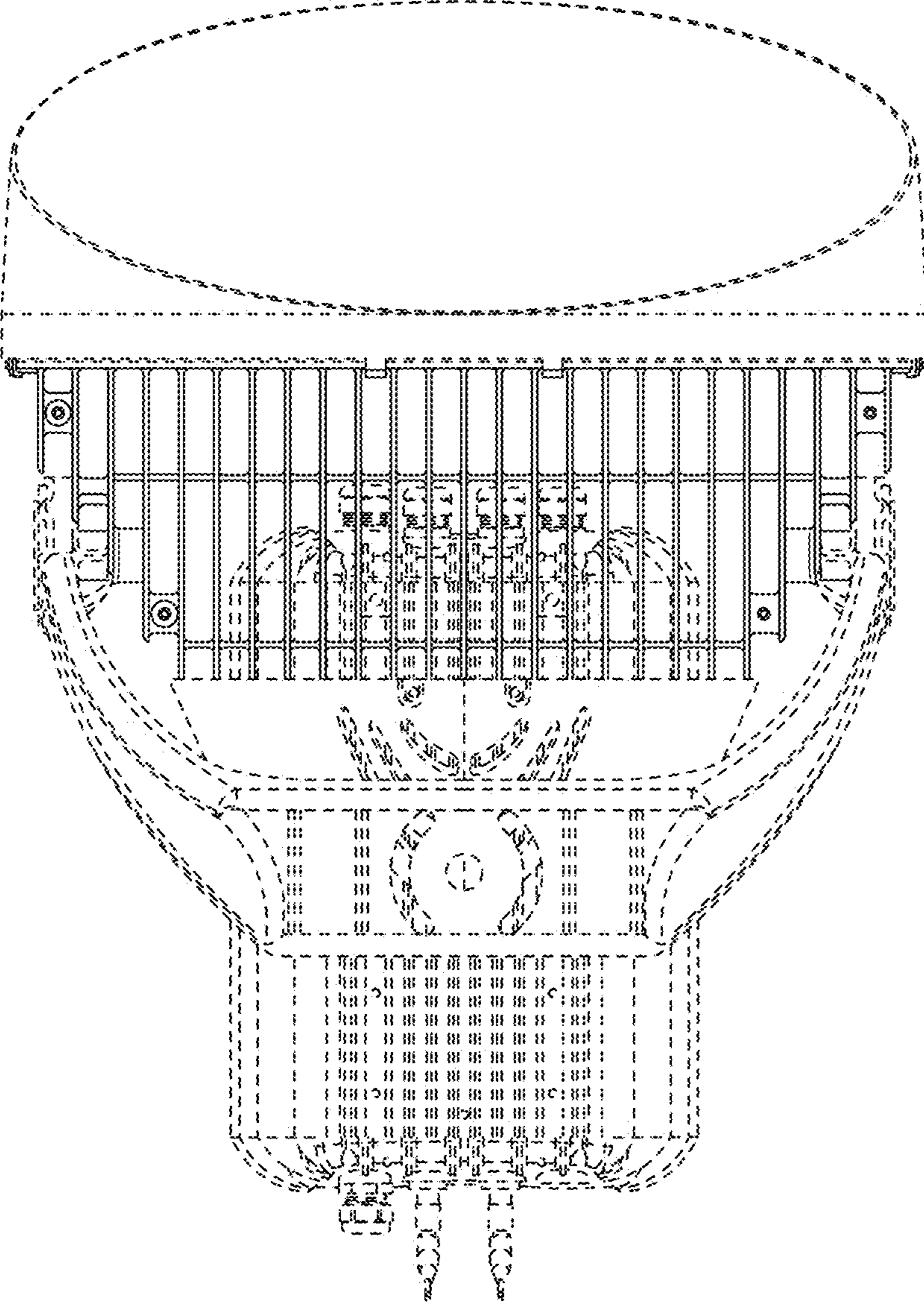


FIG. 6