



US00D733350S

(12) **United States Design Patent**
Kim et al.

(10) **Patent No.:** **US D733,350 S**
(45) **Date of Patent:** **** Jun. 30, 2015**

(54) **DECORATION LAMP**

(71) Applicant: **LG Hausys, Ltd.**, Seoul (KR)

(72) Inventors: **Tae-Woo Kim**, Yongin-si (KR);
Keun-Tae Kim, Seoul (KR); **Han-Sung Choi**, Seoul (KR)

(73) Assignee: **LG HAUSYS, LTD.**, Seoul (KR)

(**) Term: **14 Years**

(21) Appl. No.: **29/454,424**

(22) Filed: **May 9, 2013**

(30) **Foreign Application Priority Data**

Mar. 14, 2013 (KR) 30-2013-0012916

(51) **LOC (10) Cl.** **26-03**

(52) **U.S. Cl.**
USPC **D26/99; D26/73**

(58) **Field of Classification Search**
USPC D26/73, 93-101, 142, 146, 147, 156;
D11/153, 160; D20/29; 362/124, 410,
362/412, 644, 653, 806

CPC F21S 6/002
See application file for complete search history.

(56) **References Cited**

U.S. PATENT DOCUMENTS

D65,930 S * 11/1924 Russell D11/160
D96,616 S * 8/1935 Livingston D11/160

D198,458 S * 6/1964 Scherer D11/160
D228,196 S * 8/1973 Warehime D11/160
D240,745 S * 7/1976 Thulin D21/631
D260,686 S * 9/1981 Atrio D26/99
D364,580 S * 11/1995 Deleuse D11/131
D374,413 S * 10/1996 Bywalec et al. D11/160
D438,489 S * 3/2001 Young D11/160
D439,199 S * 3/2001 Buchbaum D11/157
D440,183 S * 4/2001 Young D11/160
D692,608 S * 10/2013 Douglas D26/93
D698,968 S * 2/2014 Guyaux D26/73

* cited by examiner

Primary Examiner — Clare E Heflin

(74) *Attorney, Agent, or Firm* — Lowe Hauptman & Ham, LLP

(57) **CLAIM**

The ornamental design for a decoration lamp, as shown and described.

DESCRIPTION

FIG. 1 is a perspective view of a decoration lamp showing our new design;
FIG. 2 is a front elevational view thereof;
FIG. 3 is a rear elevational view thereof;
FIG. 4 is a left side elevational view thereof;
FIG. 5 is a right side elevational view thereof;
FIG. 6 is a top plan view thereof; and,
FIG. 7 is a bottom plan view thereof.

The claimed design is directed to a decoration lamp, being characterized in that light is emitted from a face-shaped character.

1 Claim, 7 Drawing Sheets

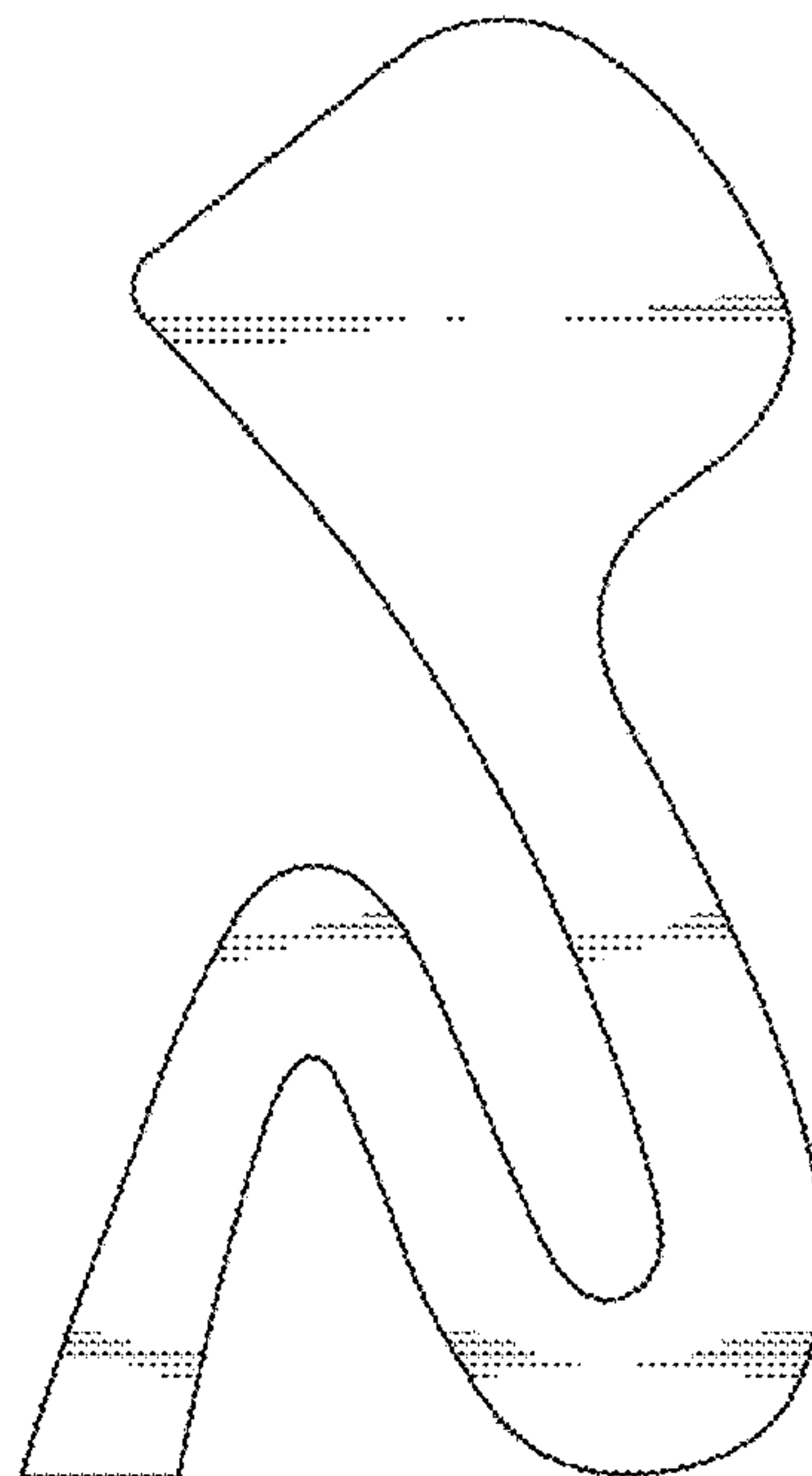
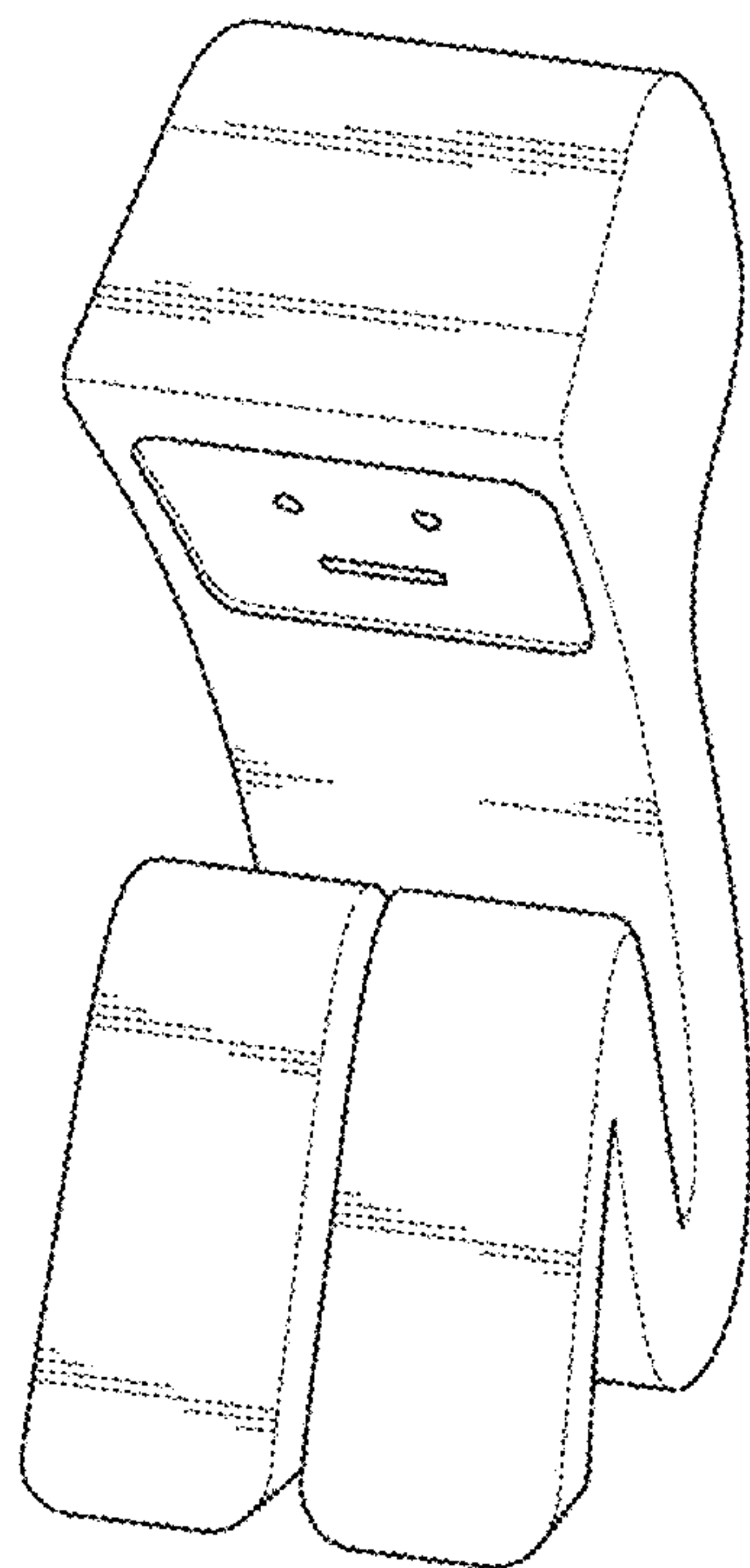


FIG. 1

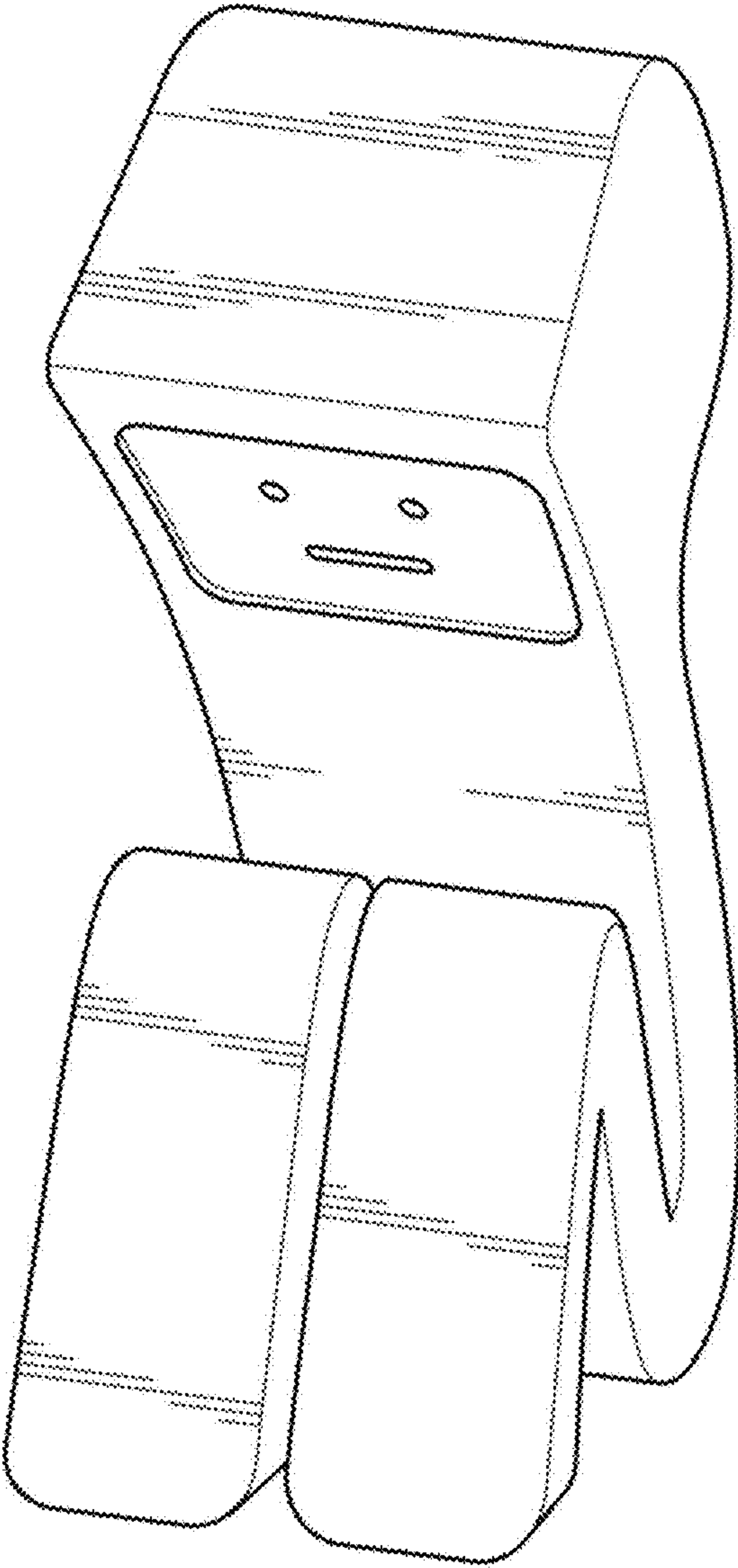


FIG. 2

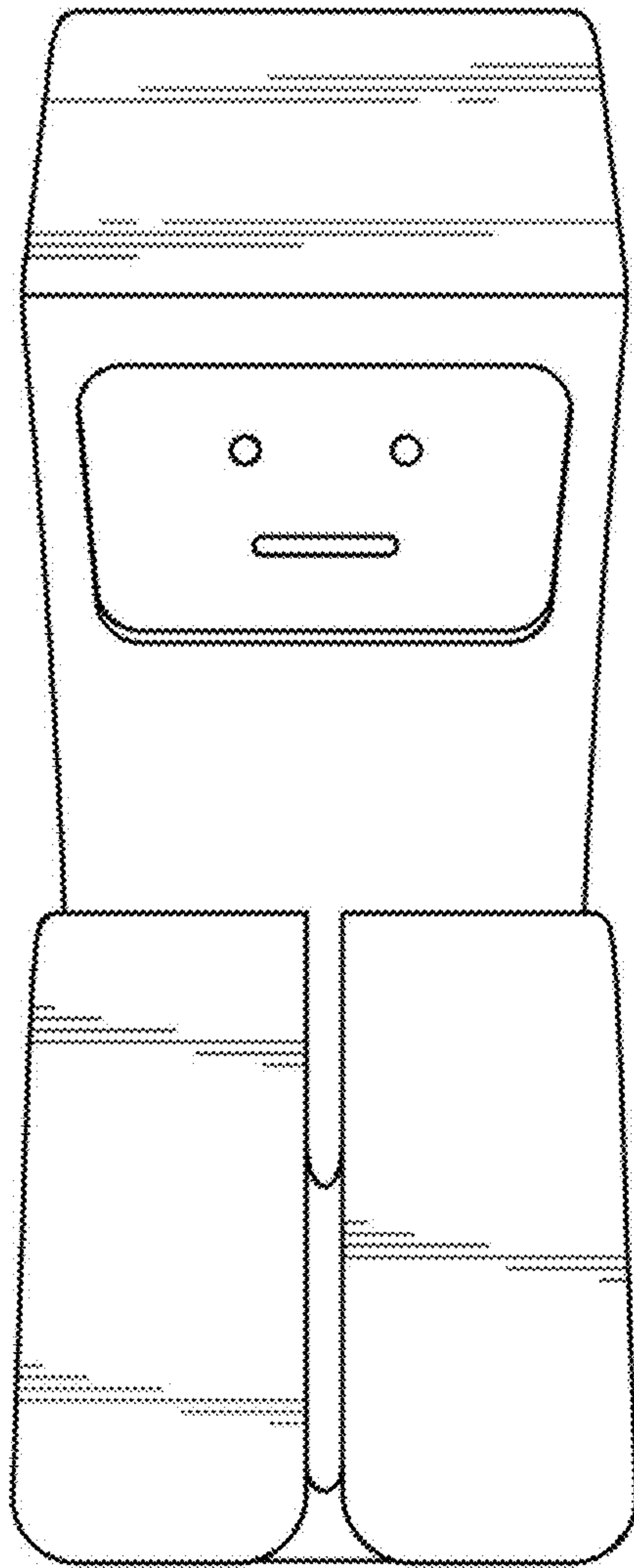


FIG. 3

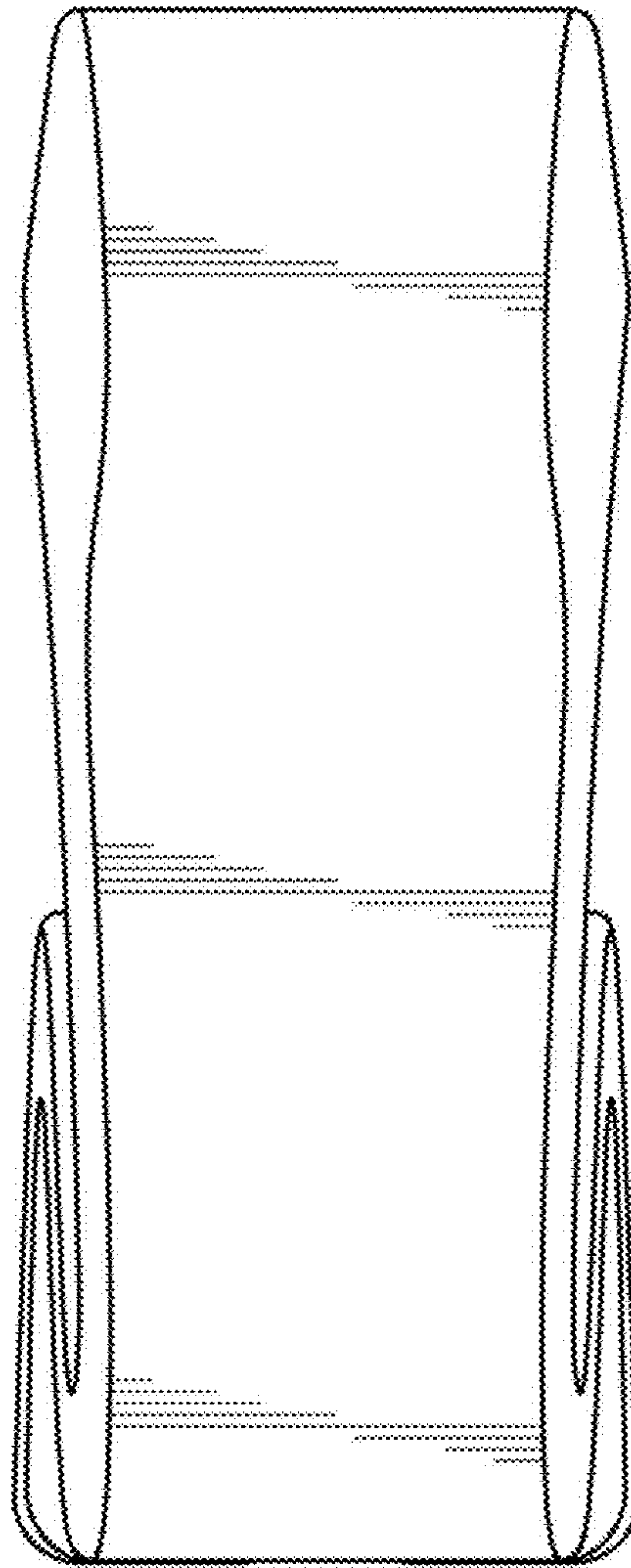


FIG. 4

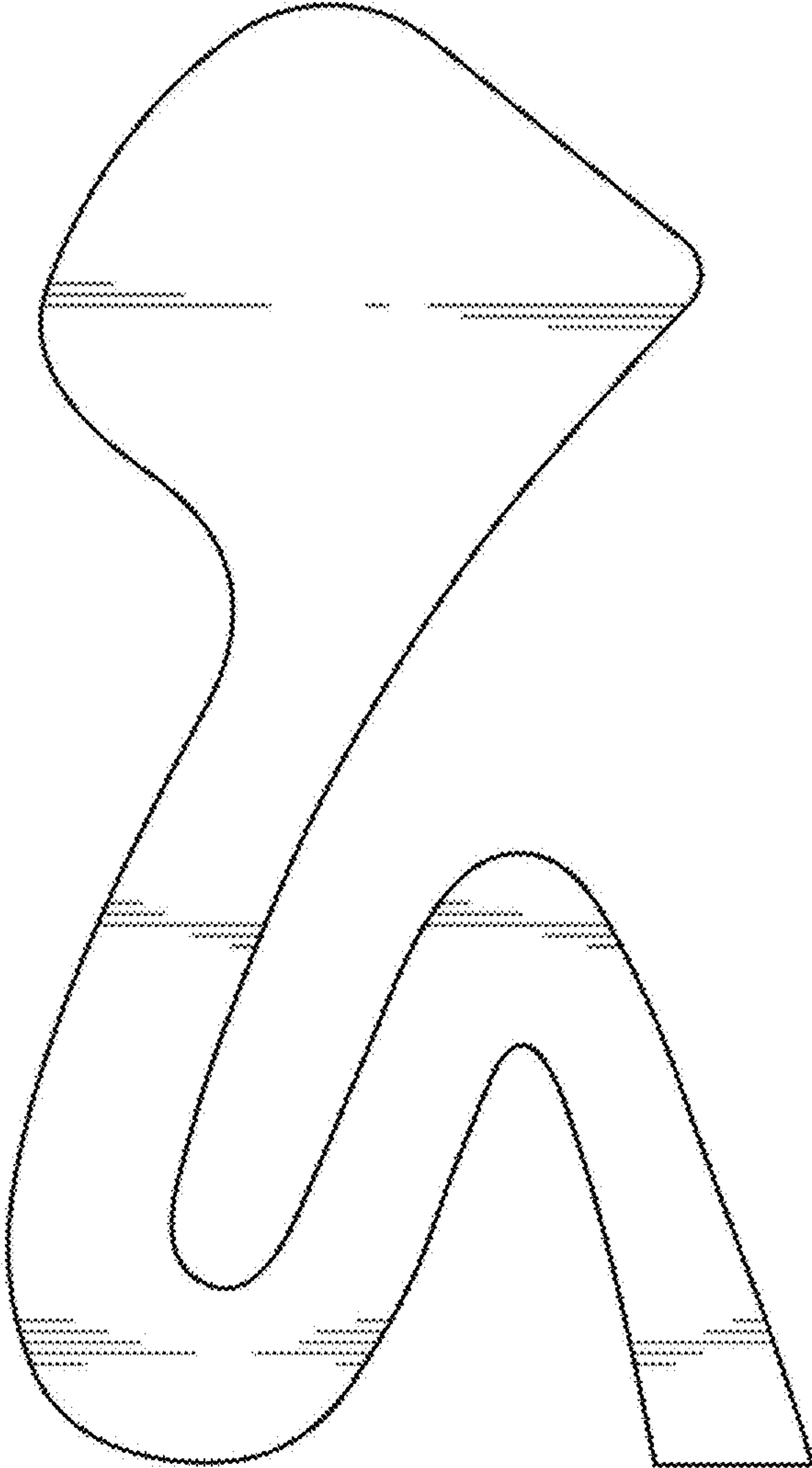


FIG. 5

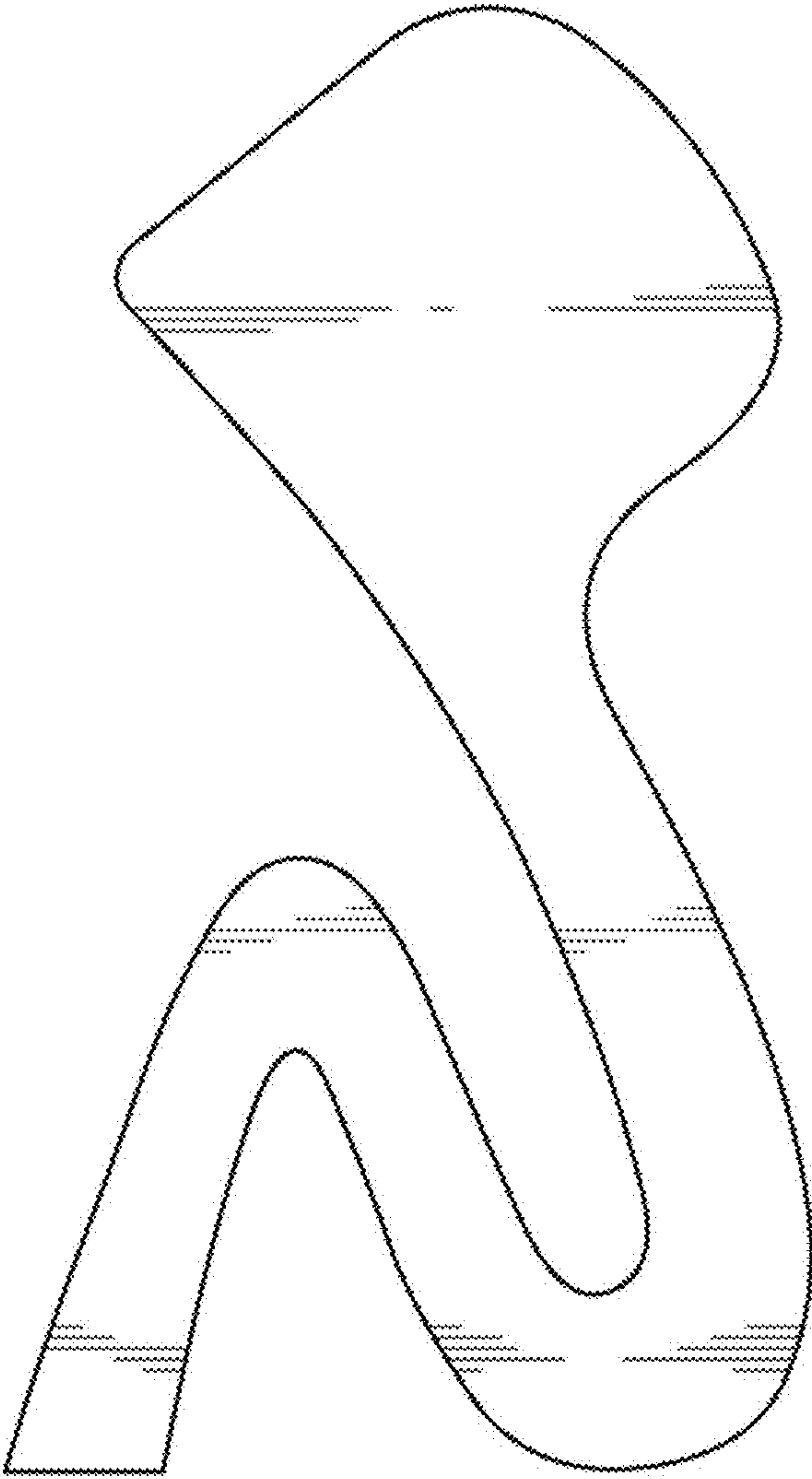


FIG. 6

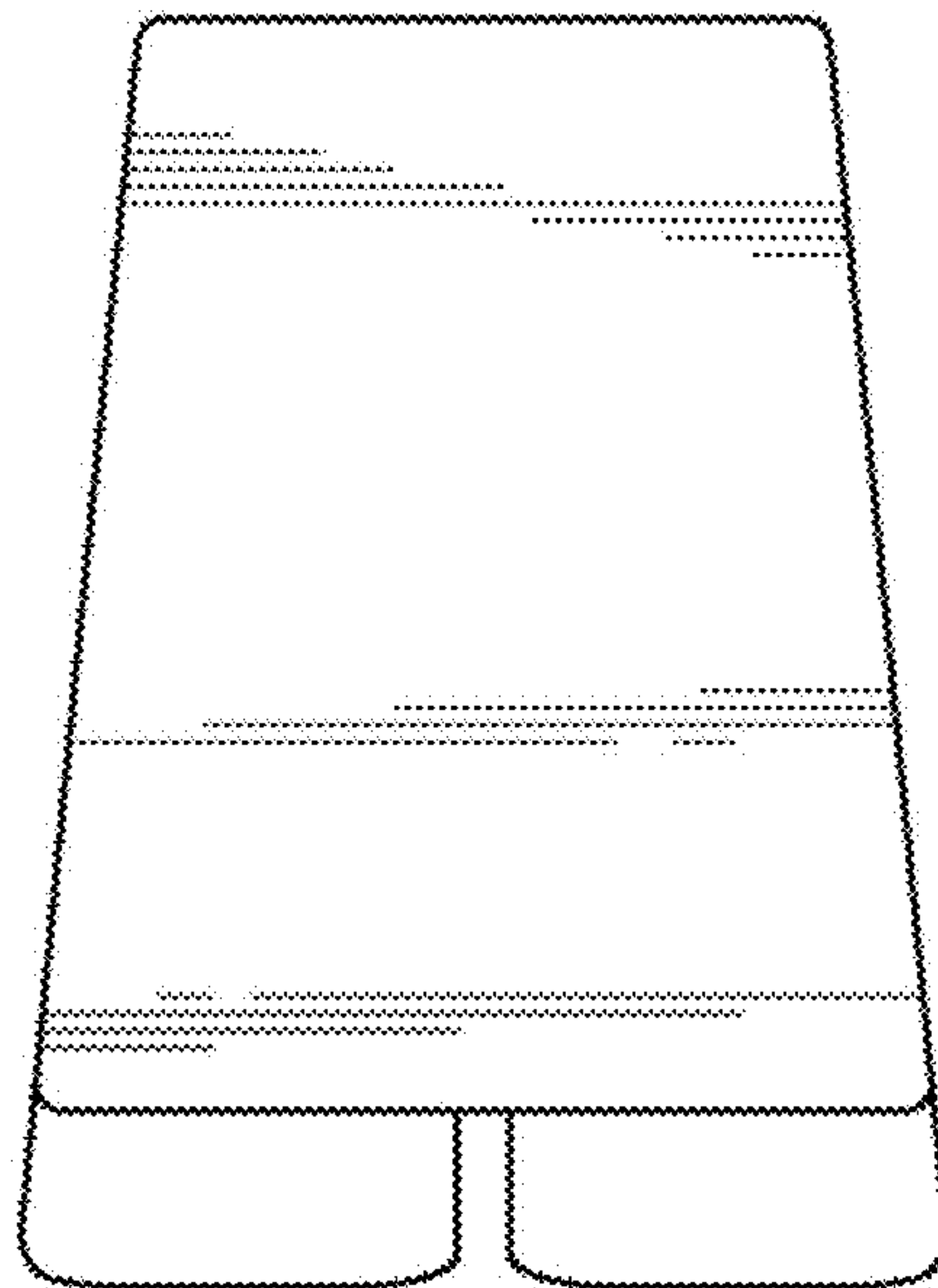


FIG. 7

