



US00D733349S

(12) **United States Design Patent**
Kim et al.

(10) **Patent No.:** **US D733,349 S**
(45) **Date of Patent:** **** Jun. 30, 2015**

(54) **DECORATION LAMP**

(71) Applicant: **LG Hausys, Ltd.**, Seoul (KR)

(72) Inventors: **Tae-Woo Kim**, Yongin-si (KR);
Keun-Tae Kim, Seoul (KR); **Han-Sung Choi**, Seoul (KR)

(73) Assignee: **LG HAUSYS, LTD.**, Seoul (KR)

(**) Term: **14 Years**

(21) Appl. No.: **29/454,684**

(22) Filed: **May 13, 2013**

(30) **Foreign Application Priority Data**

Mar. 14, 2013 (KR) 30-2013-0012917

(51) **LOC (10) Cl.** **26-03**

(52) **U.S. Cl.**
USPC **D26/98; D26/73**

(58) **Field of Classification Search**
USPC D26/73, 93-101, 142, 146, 147, 156;
D11/153, 160; D20/29; 362/124, 410,
362/412, 644, 653, 806

CPC F21S 6/002
See application file for complete search history.

(56) **References Cited**

U.S. PATENT DOCUMENTS

D63,321 S * 11/1923 Pirson D26/93
D243,710 S * 3/1977 Angeles D26/98

D271,045 S * 10/1983 Tamblyn D26/93
D283,257 S * 4/1986 Ikeda D26/93
D356,167 S * 3/1995 Bohannon D26/4
D391,663 S * 3/1998 Serre-Vives D26/99
D429,366 S * 8/2000 Lin D26/94
D438,818 S * 3/2001 Young D11/160
D438,819 S * 3/2001 Young D11/160
D440,183 S * 4/2001 Young D11/160
D685,126 S * 6/2013 Ogg et al. D26/93
D698,968 S * 2/2014 Guyaux D26/73

* cited by examiner

Primary Examiner — Clare E Heflin

(74) *Attorney, Agent, or Firm* — Lowe Hauptman & Ham, LLP

(57) **CLAIM**

The ornamental design for a decoration lamp, as shown and described.

DESCRIPTION

FIG. 1 is a perspective view showing a decoration lamp claimed in this application (“claimed design”); FIG. 2 is a front view showing the claimed design; FIG. 3 is a rear view showing the claimed design; FIG. 4 a left side view showing the claimed design; FIG. 5 is a right side view showing the claimed design; FIG. 6 is a top plan view showing the claimed design; and, FIG. 7 is a bottom plan view showing the claimed design. The claimed design is directed to a decoration lamp, designed using a puppy motif, and it is characterized in that light is emitted from a face-shaped character.

1 Claim, 7 Drawing Sheets

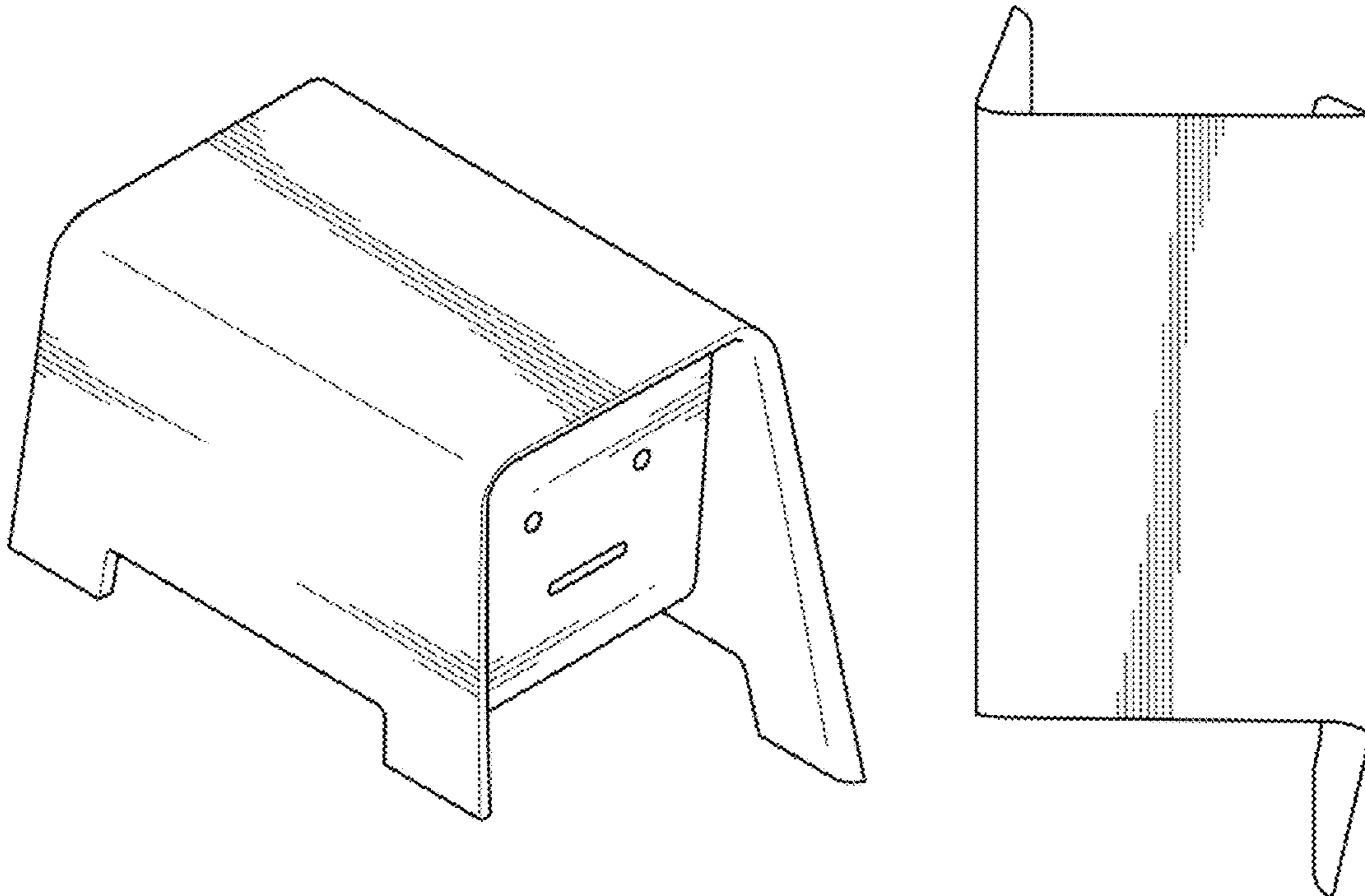


FIG. 1

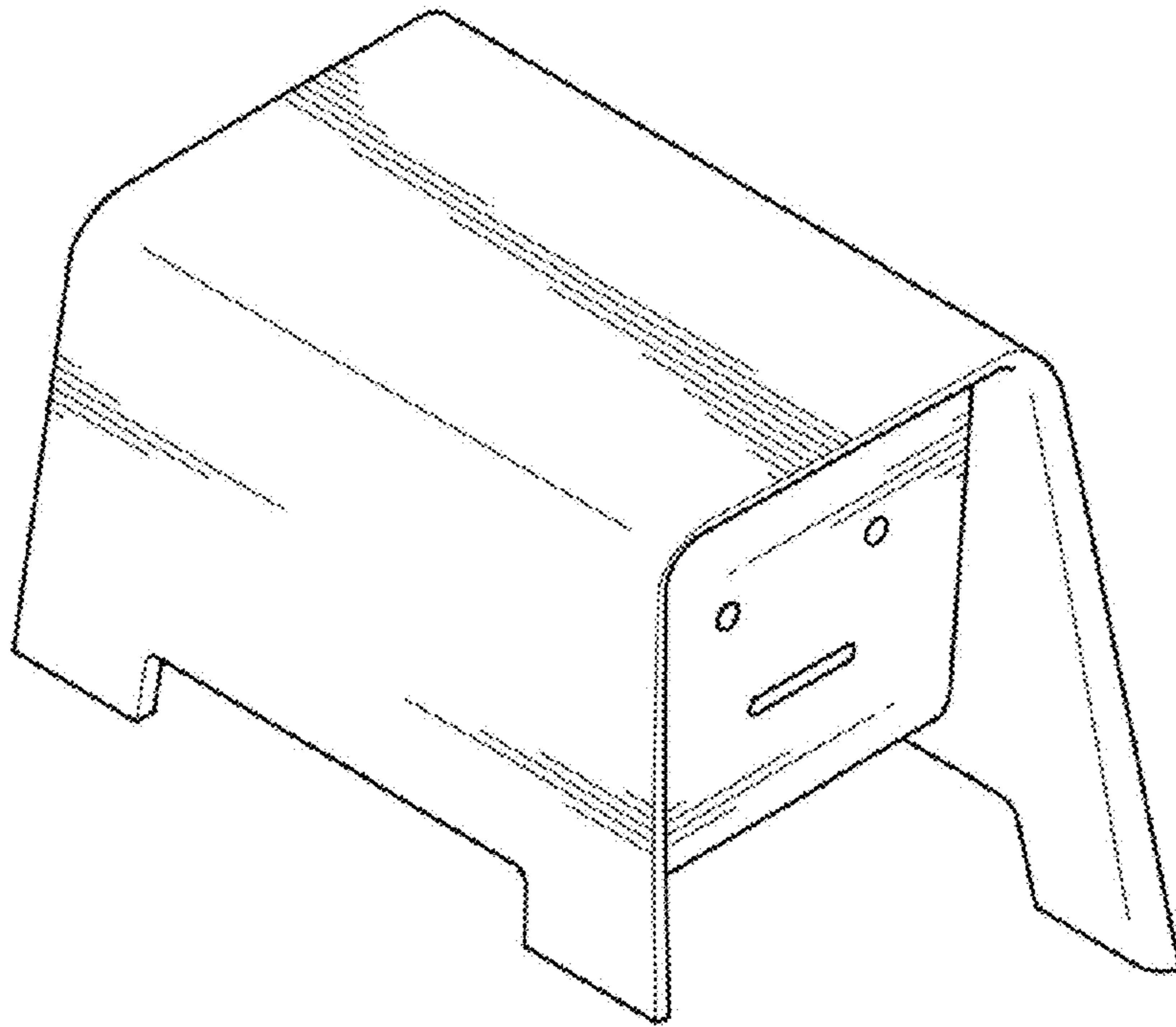


FIG. 2

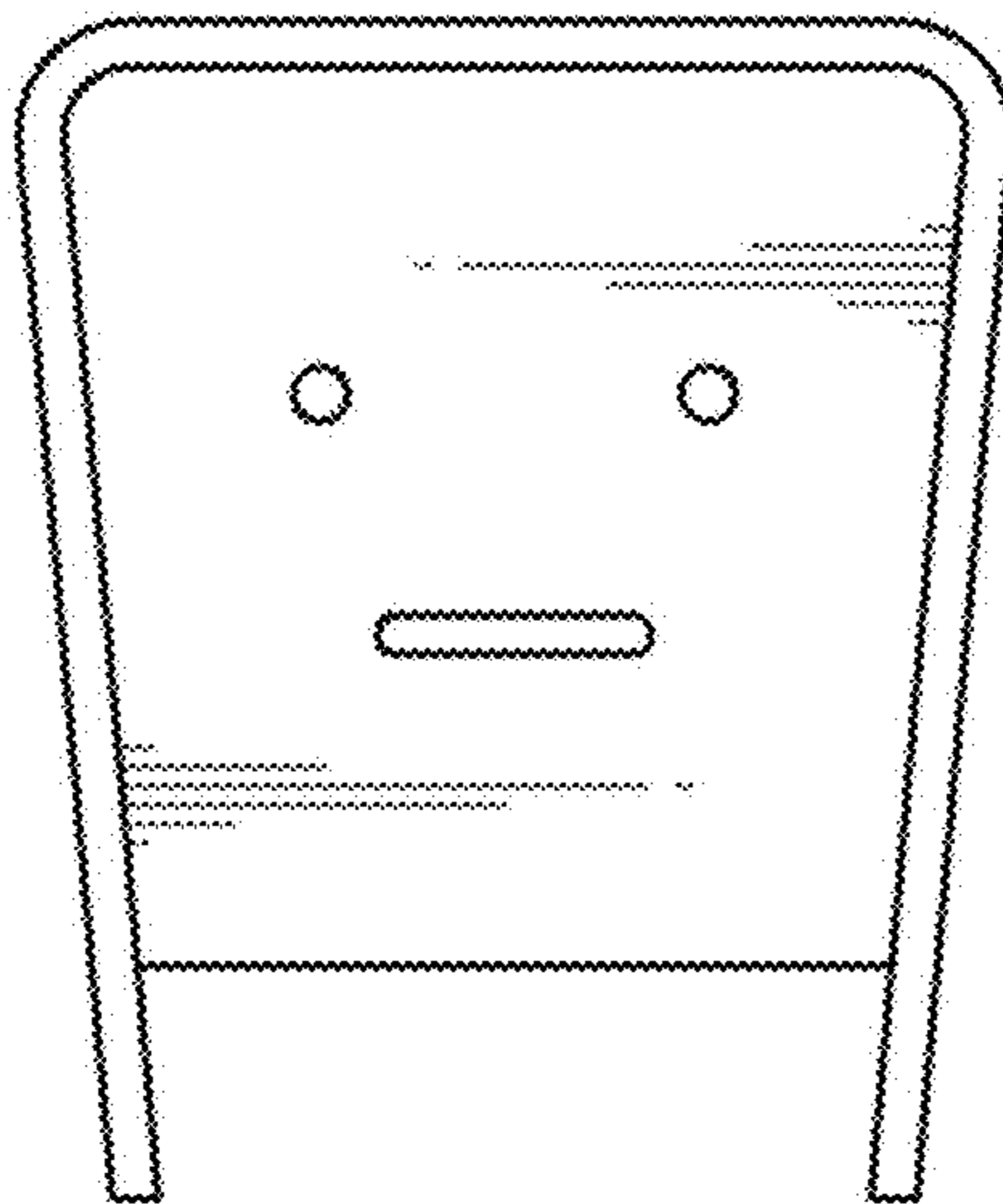


FIG. 3

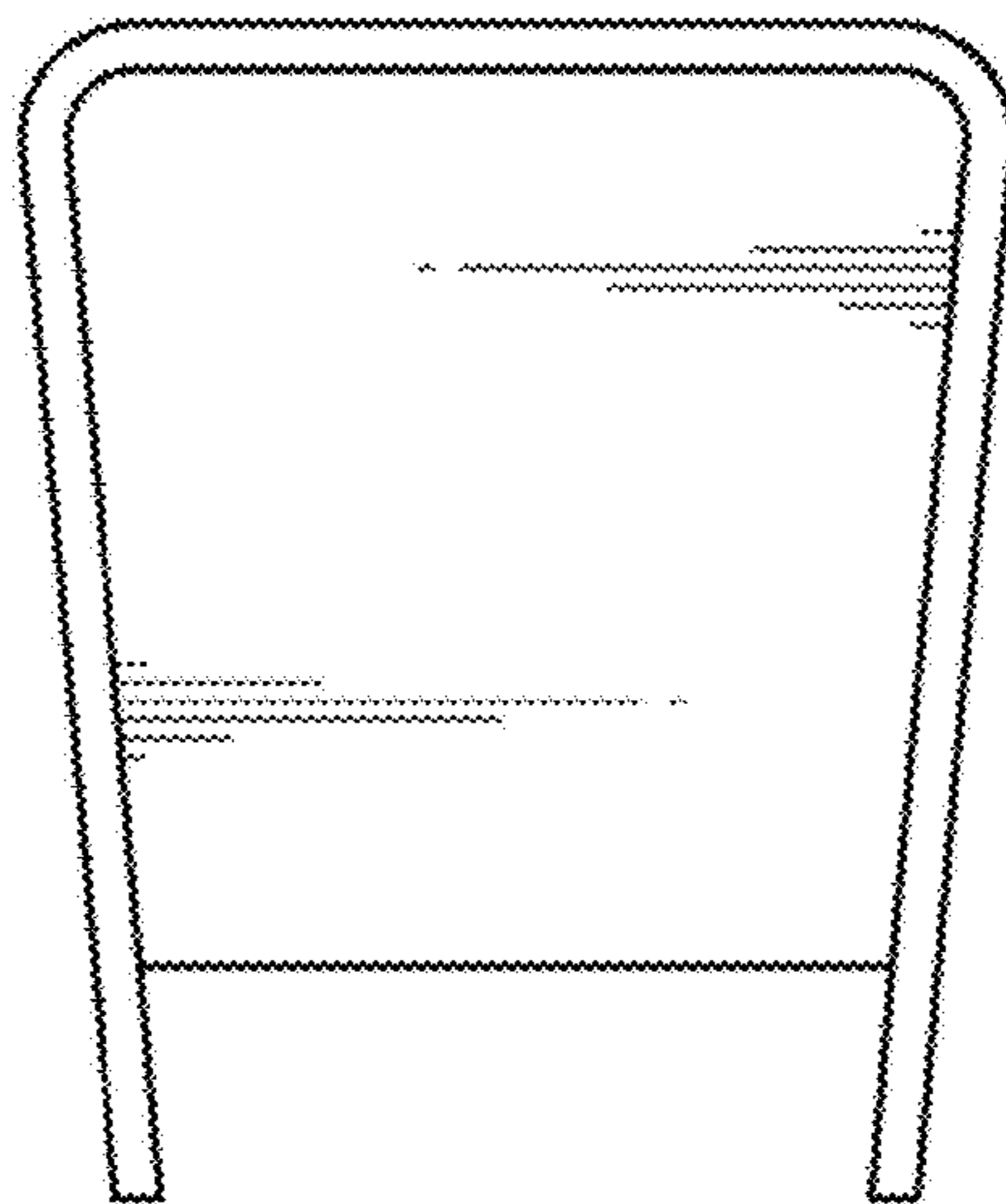


FIG. 4

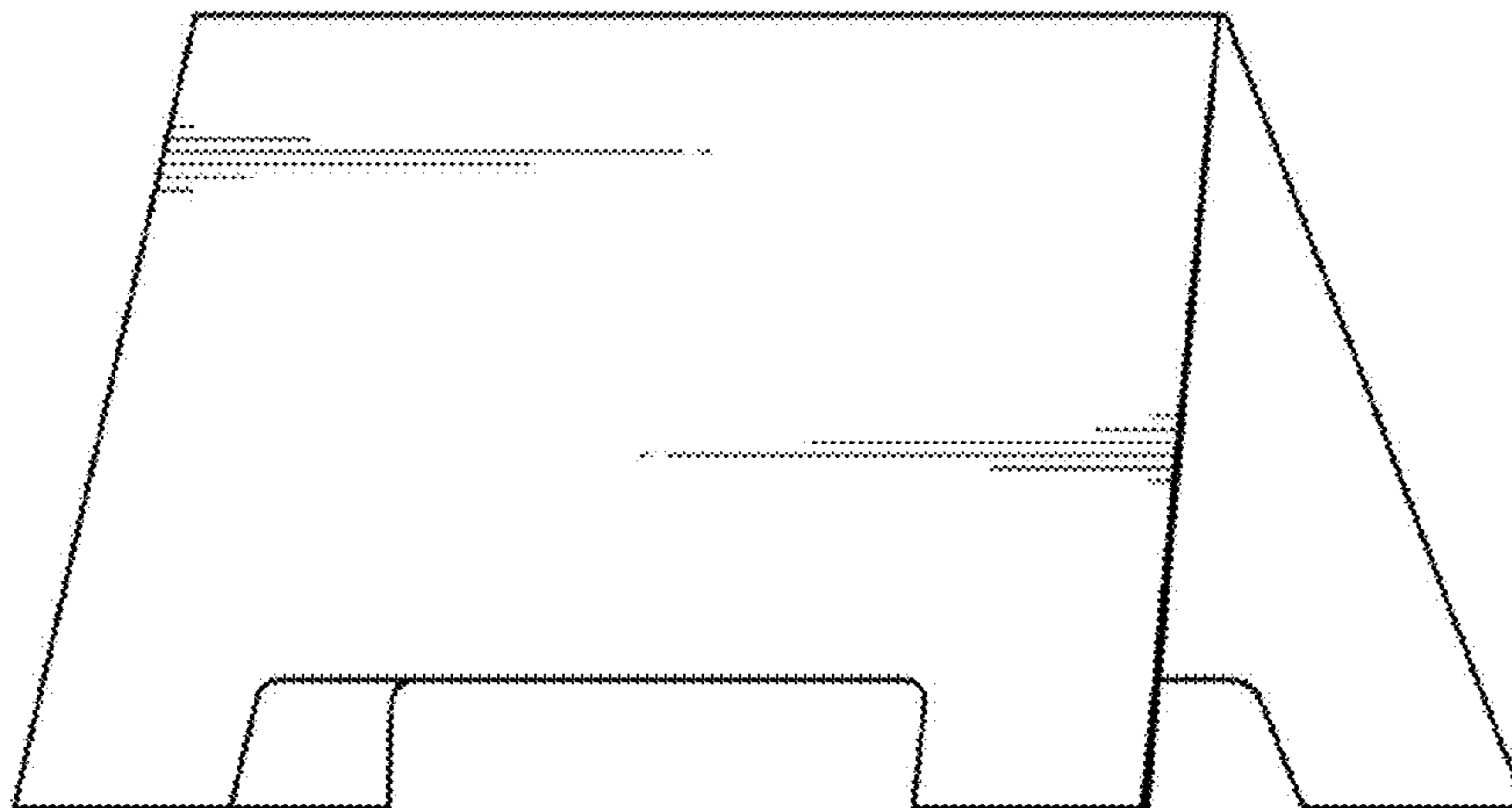


FIG. 5

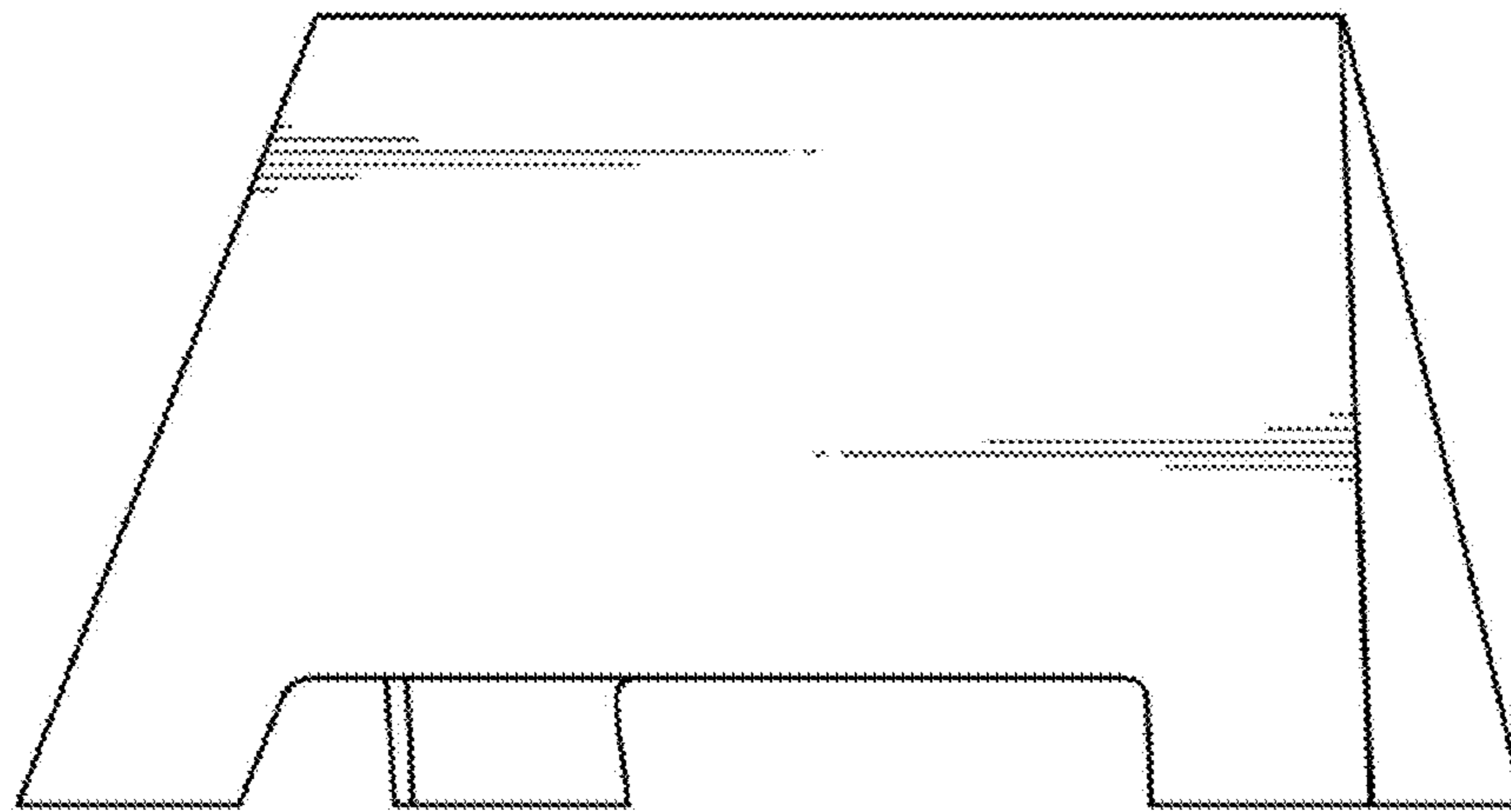


FIG. 6

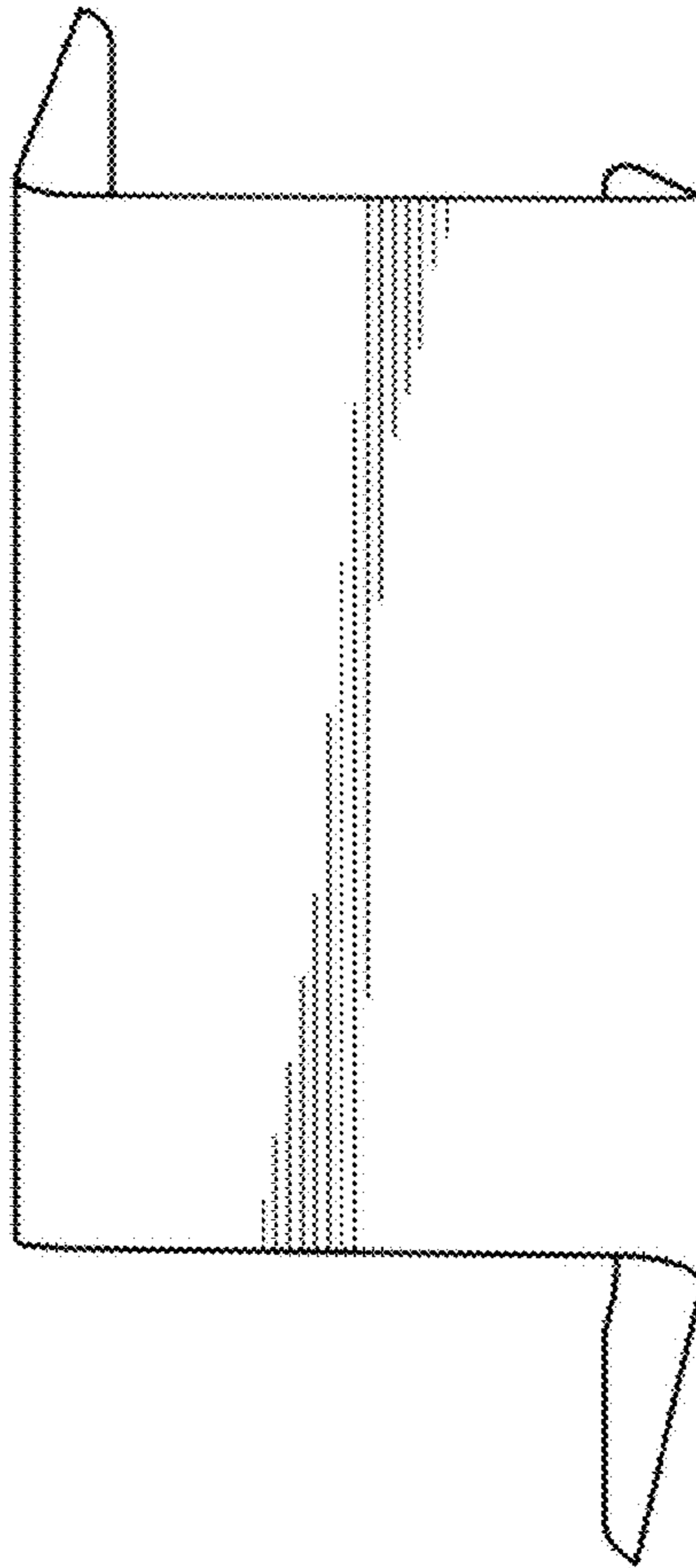


FIG. 7

