



US00D733348S

(12) **United States Design Patent**
Dolan

(10) **Patent No.:** **US D733,348 S**
(45) **Date of Patent:** **** Jun. 30, 2015**

(54) **LAMP**

(71) Applicant: **Patrick S. Dolan**, Portland, OR (US)

(72) Inventor: **Patrick S. Dolan**, Portland, OR (US)

(**) Term: **14 Years**

(21) Appl. No.: **29/442,525**

(22) Filed: **Mar. 14, 2013**

(51) **LOC (10) Cl.** **26-03**

(52) **U.S. Cl.**
USPC **D26/93**

(58) **Field of Classification Search**
USPC D26/93, 118
CPC F21S 6/00; F21S 6/002; F21V 1/00;
F21V 1/02; F21V 1/12; F21V 1/20; F21V
1/22; F21V 1/24
See application file for complete search history.

(56) **References Cited**

U.S. PATENT DOCUMENTS

D525,739 S	*	7/2006	Wu	D26/93
D586,496 S	*	2/2009	Flindt	D26/118
D606,236 S	*	12/2009	Sabernig	D26/93
D647,242 S	*	10/2011	Staples	D26/93
D719,292 S	*	12/2014	Voss	D26/118

OTHER PUBLICATIONS

As seen on website: www.lampsplus.com Mar. 11, 2013 Item P0980.

As seen on website: www.lightingdirect.com Mar. 11, 2013 Item: 139610—Hubbardton Forge.

* cited by examiner

Primary Examiner — Brian N Vinson

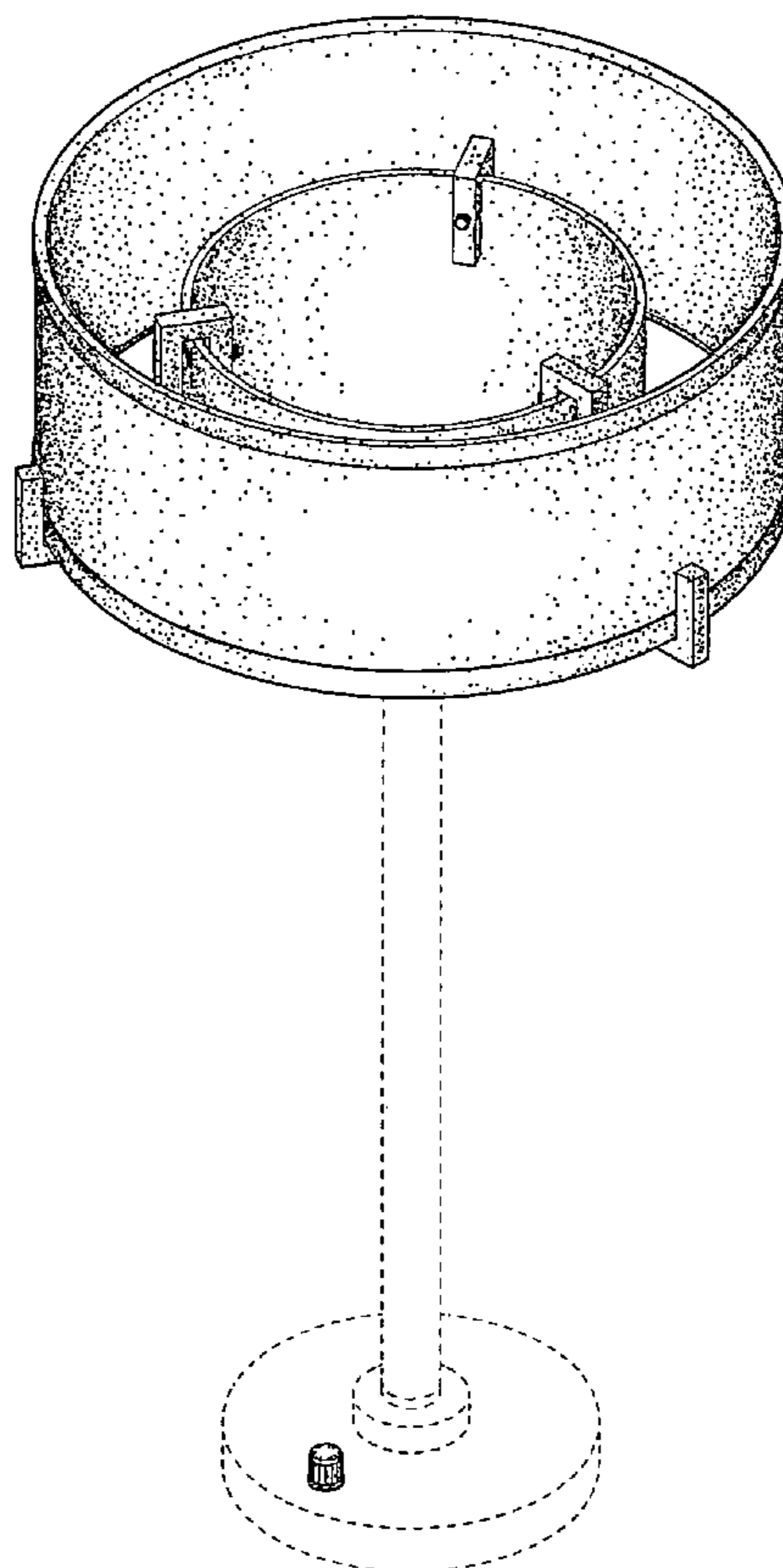
(57) **CLAIM**

The ornamental design for a lamp, as shown and described.

DESCRIPTION

FIG. 1 is a perspective view thereof;
FIG. 2 is a front elevational view thereof;
FIG. 3 is a right side view, the left side view being a mirror image;
FIG. 4 is a back plan view thereof.
FIG. 5 is a top plan view thereof; and,
FIG. 6 is a bottom plan view thereof.
The broken line showing of environmental structure is for illustrative purposes only and forms no part of the claimed design.

1 Claim, 6 Drawing Sheets



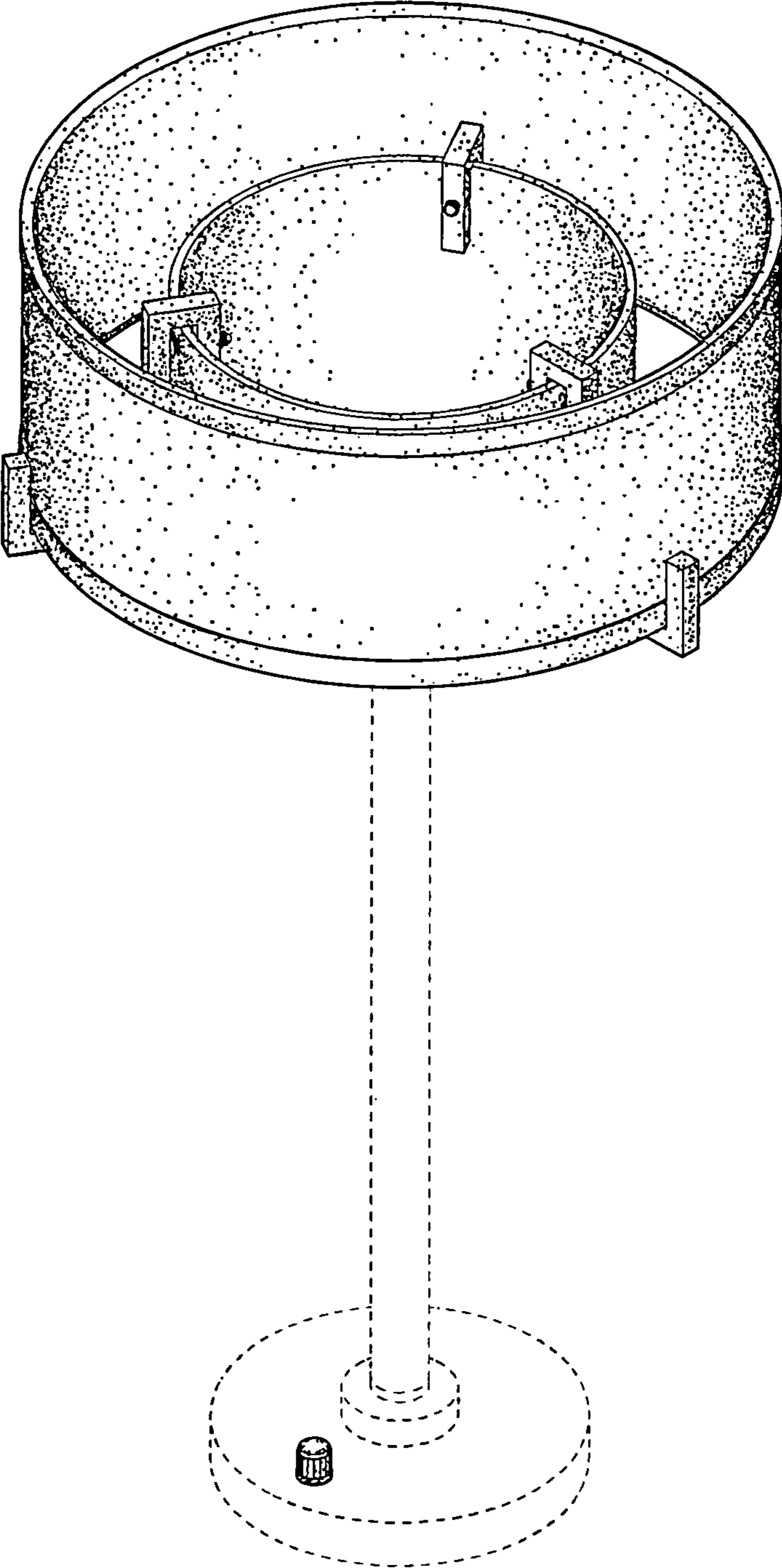


FIG. 1

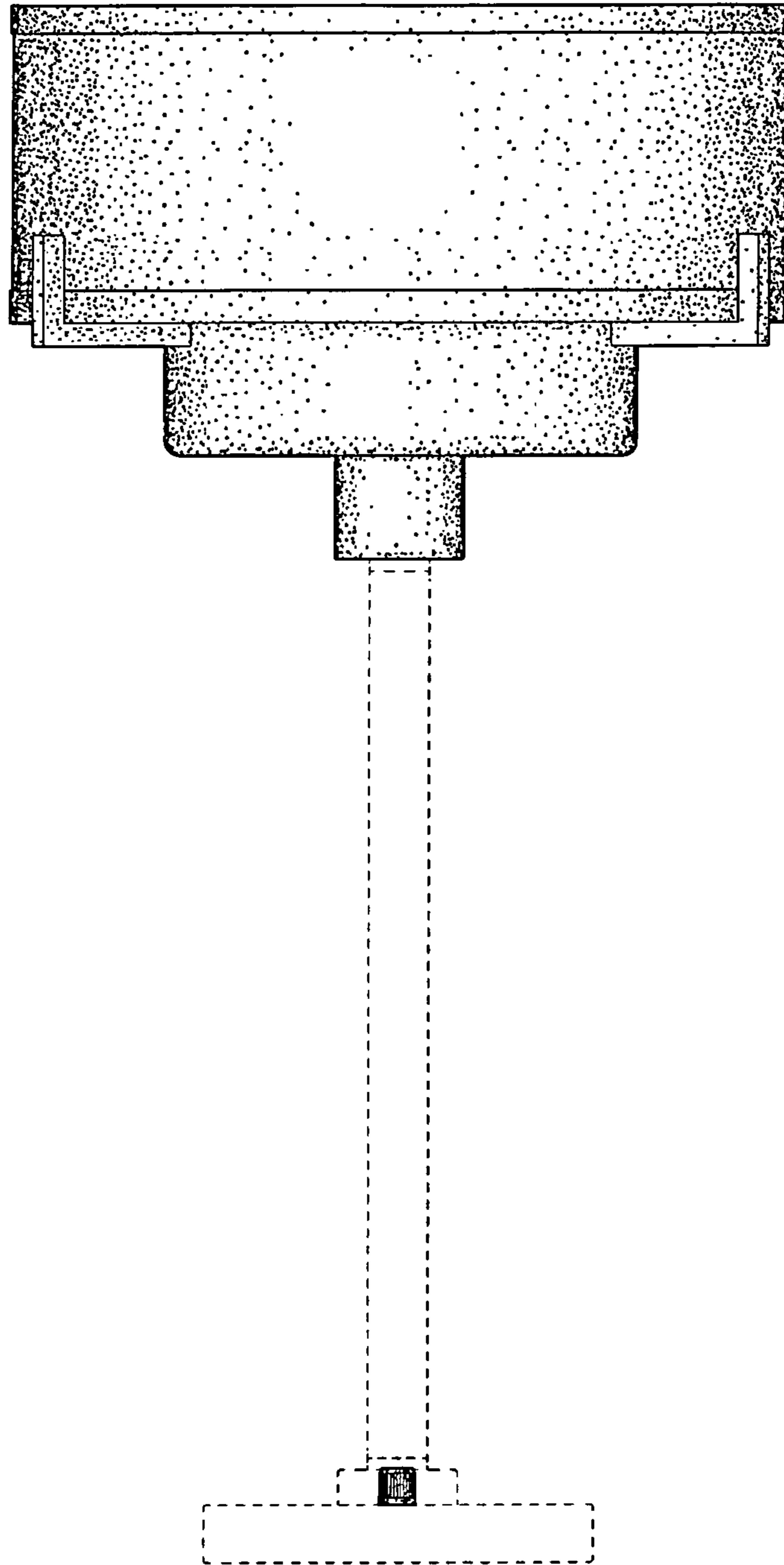


FIG. 2

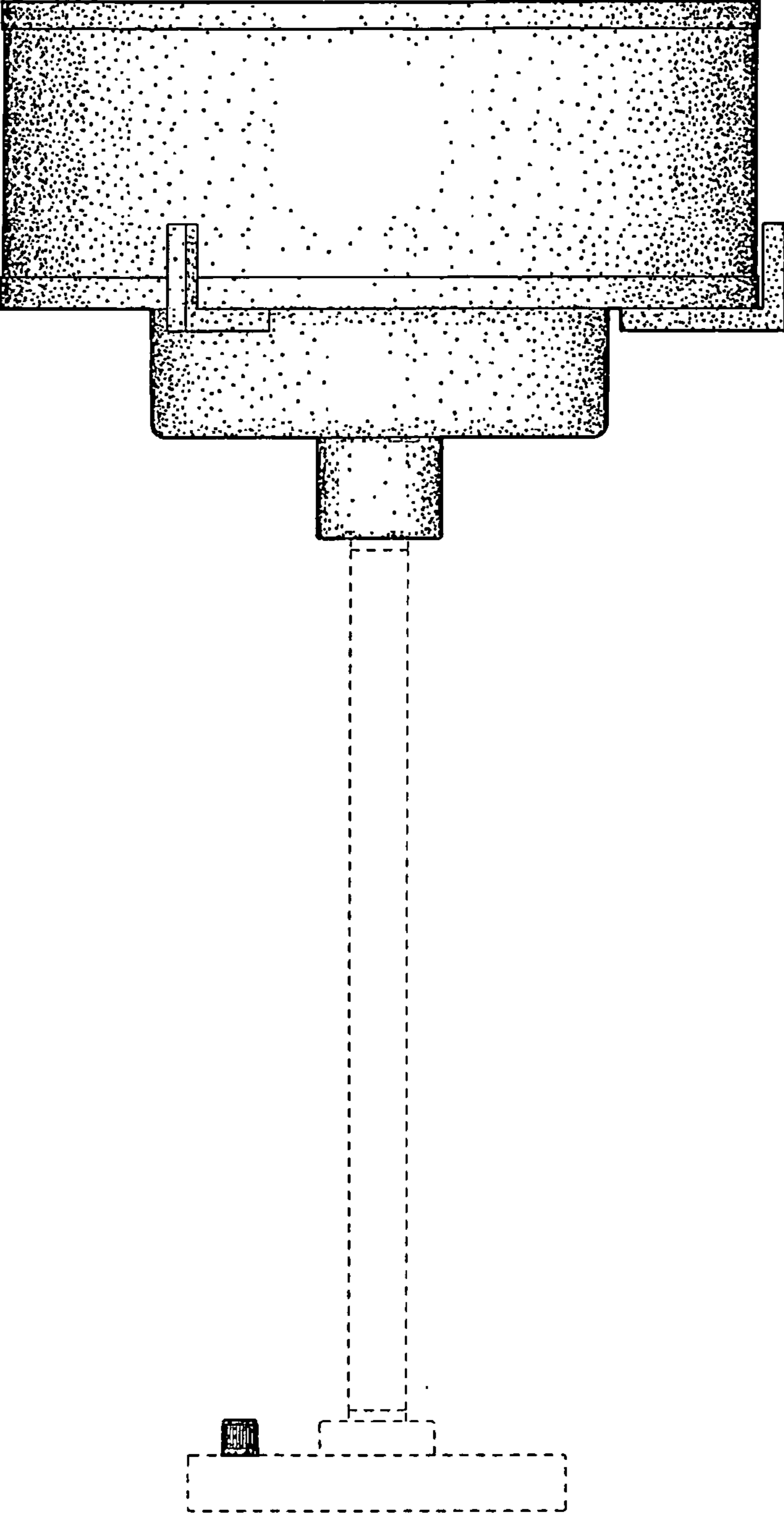


FIG. 3

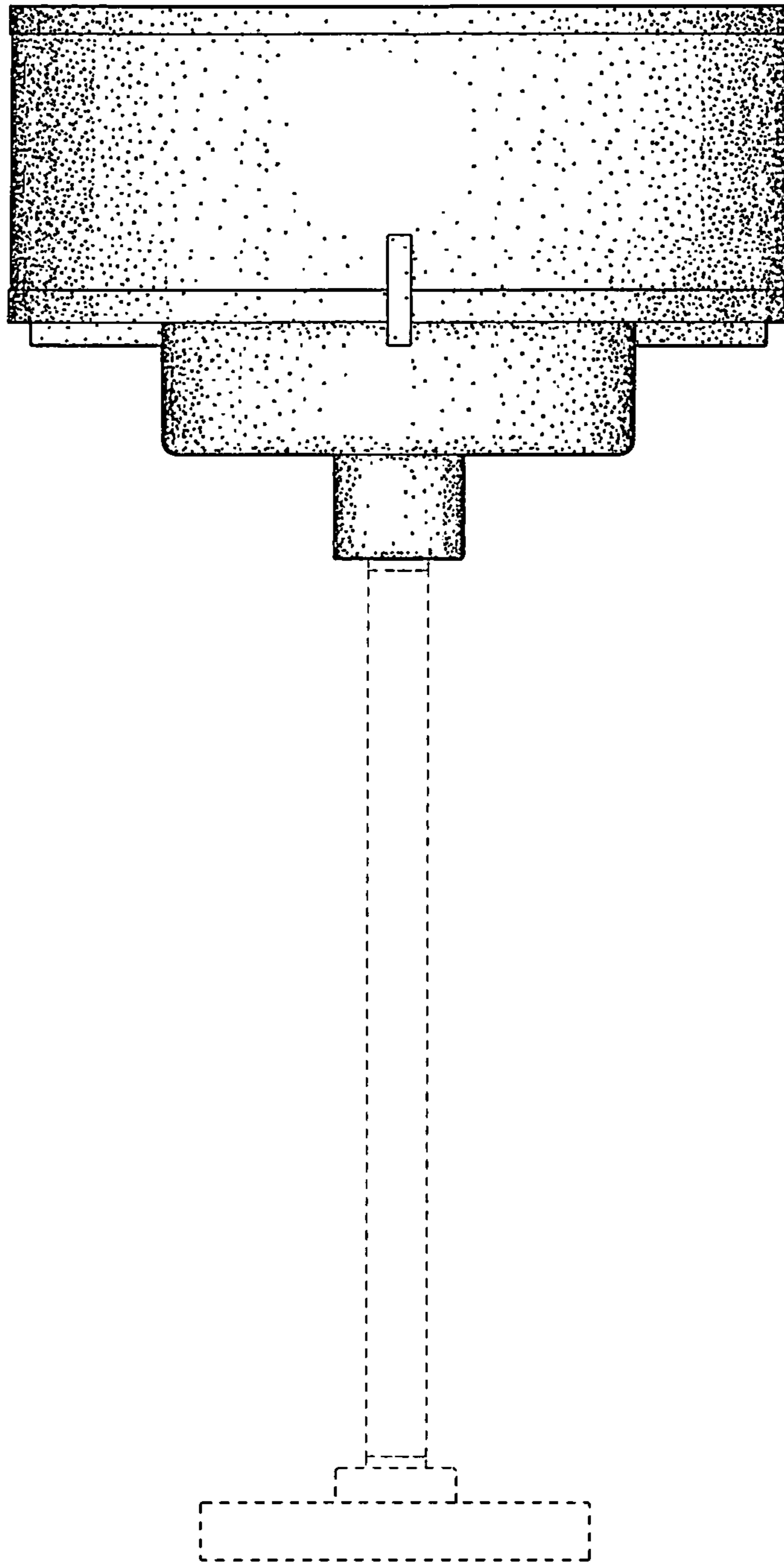


FIG. 4

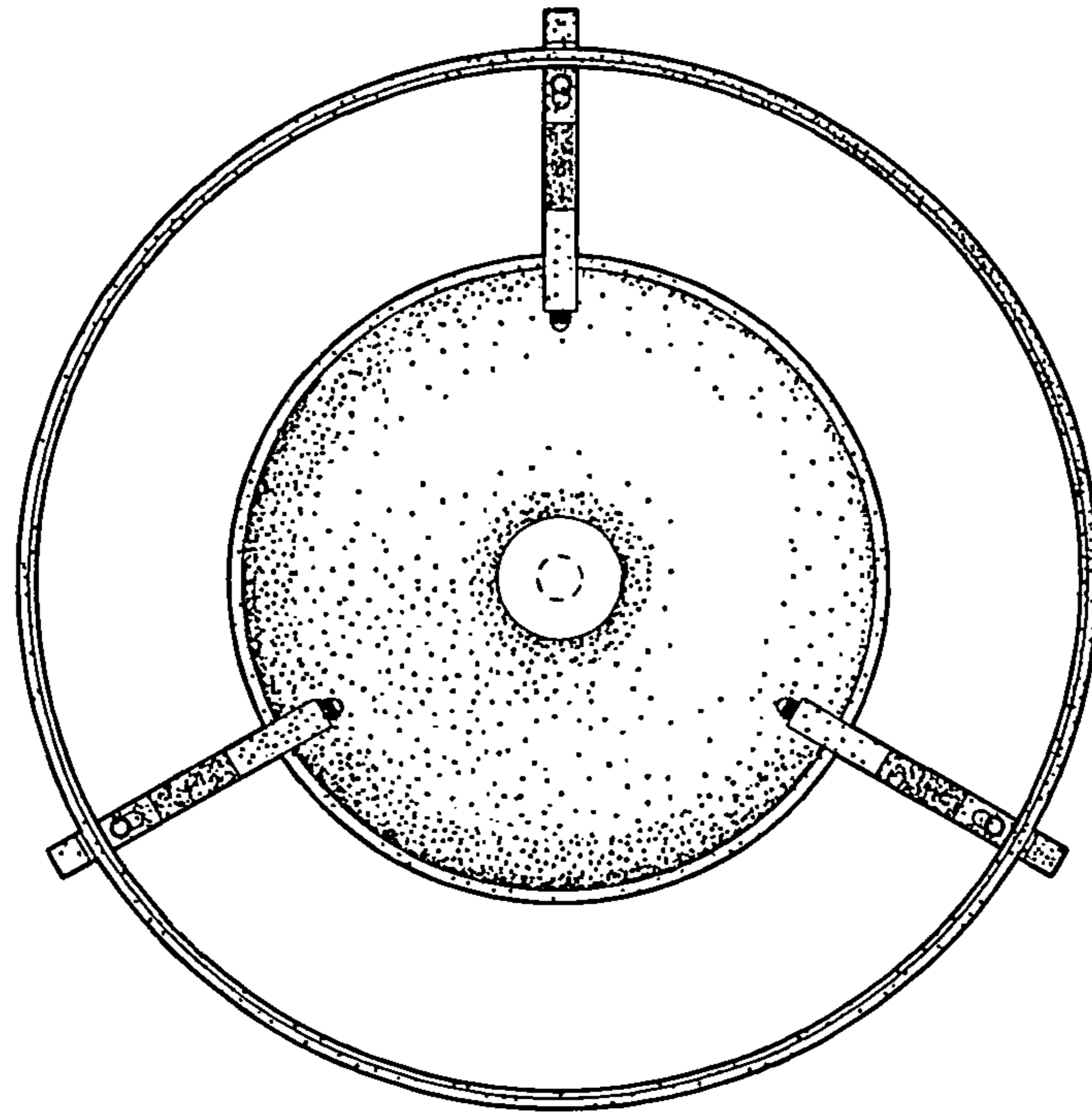


FIG. 5

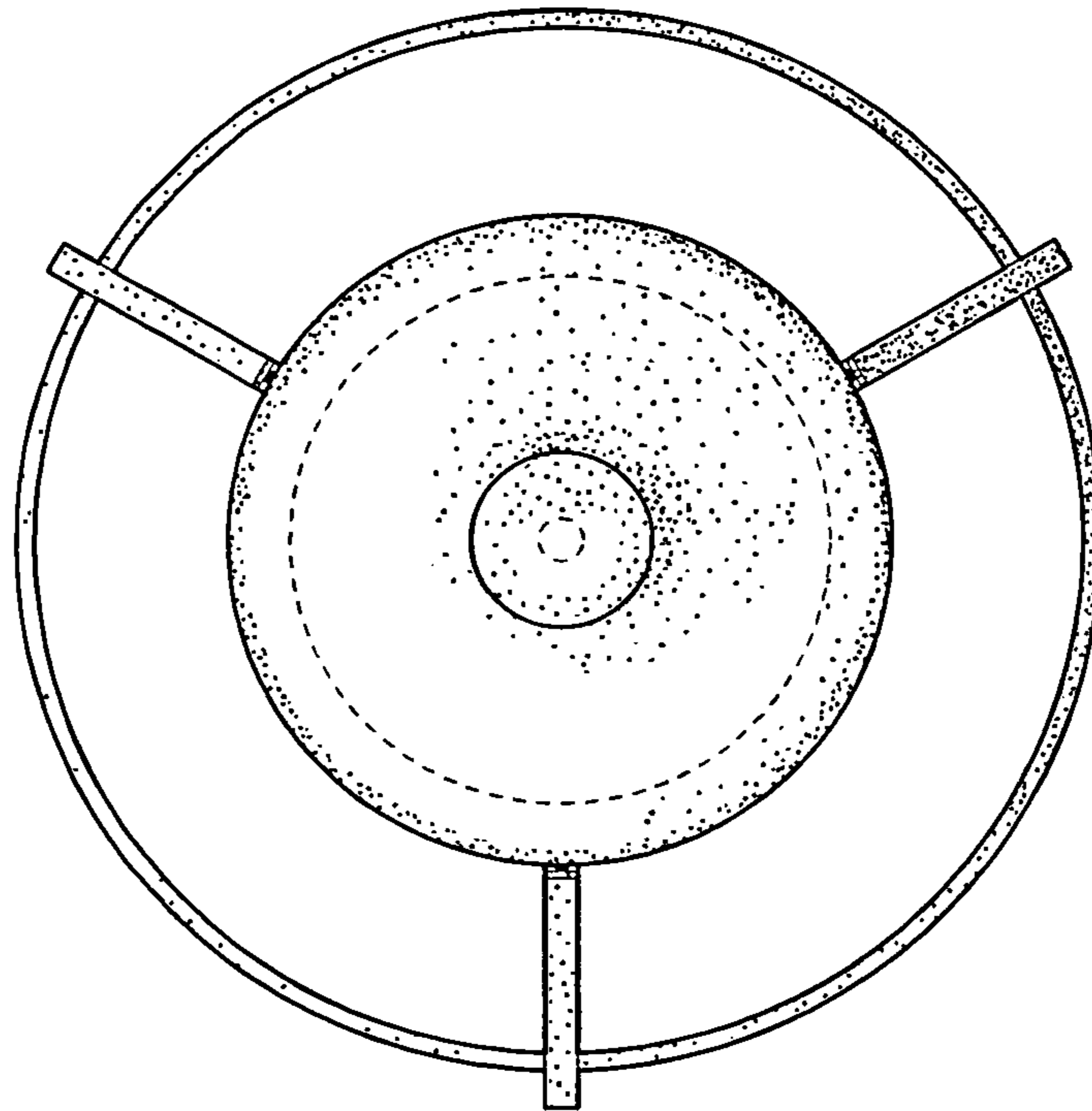


FIG. 6