



US00D733346S

(12) **United States Design Patent**
Jurdana et al.

(10) **Patent No.:** **US D733,346 S**

(45) **Date of Patent:** **** Jun. 30, 2015**

(54) **LUMINAIRE FOR ROAD LIGHTING**

8/086; F21S 8/088; F21W 2131/103; F21W
2131/107

(71) Applicant: **KONINKLIJKE PHILIPS N.V.**,
Eindhoven (NL)

See application file for complete search history.

(72) Inventors: **Sergio Fabian Jurdana**, Quebec (CA);
Alexandre Plomteux, Quebec (CA);
Guy Galipeau, Quebec (CA); **Pascal**
Pavao, Quebec (CA); **Pierre Martineau**,
Quebec (CA); **Jean-Francois Duquette**,
Quebec (CA); **Marc-Henri Monier**,
Boisbriand (CA); **Jean-Francois**
Laporte, Quebec (CA); **Michel Fortin**,
Sainte-Marthe sur le Lac (CA)

(56) **References Cited**

U.S. PATENT DOCUMENTS

D171,952	S	*	4/1954	Pettengill	D26/71
D638,565	S	*	5/2011	Bembridge	D26/71
D645,601	S	*	9/2011	Bacon	D26/71
D650,110	S	*	12/2011	Zhu	D26/71
D684,285	S	*	6/2013	Maxik et al.	D26/71
D707,381	S	*	6/2014	Maxik et al.	D26/71
2010/0135008	A1	*	6/2010	Teng	362/227
2011/0013397	A1	*	1/2011	Catone et al.	362/244
2012/0152490	A1	*	6/2012	Wen et al.	165/67
2012/0294018	A1	*	11/2012	Kim et al.	362/382
2013/0148360	A1	*	6/2013	Jeon et al.	362/294
2014/0168932	A1	*	6/2014	Boomgaarden et al.	362/20
2014/0254149	A1	*	9/2014	Wang et al.	362/235

(73) Assignee: **KONINKLIJKE PHILIPS N.V.**,
Eindhoven (NL)

* cited by examiner

(**) Term: **14 Years**

Primary Examiner — Clare E Heflin

(21) Appl. No.: **29/498,826**

(57) **CLAIM**

(22) Filed: **Aug. 8, 2014**

The ornamental design for a luminaire for road lighting, as shown.

(30) **Foreign Application Priority Data**

DESCRIPTION

Feb. 10, 2014 (EM) 002401877-0001

(51) **LOC (10) Cl.** **26-05**

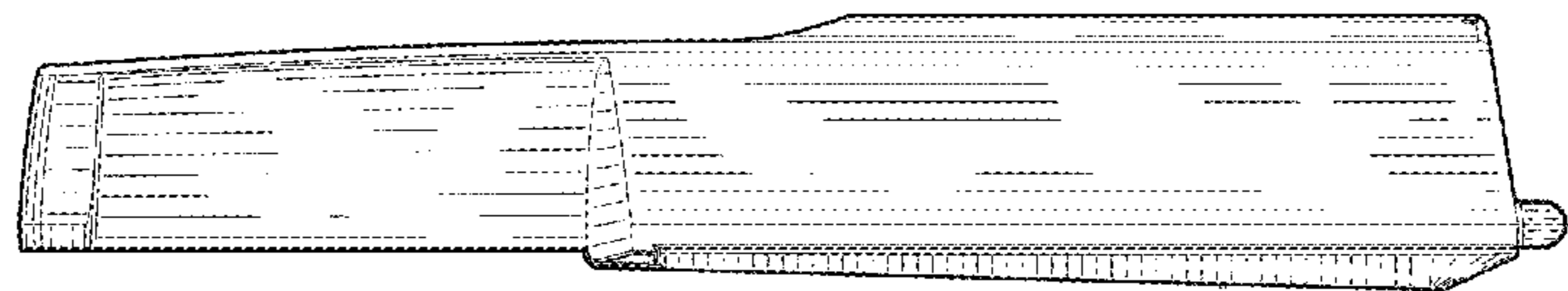
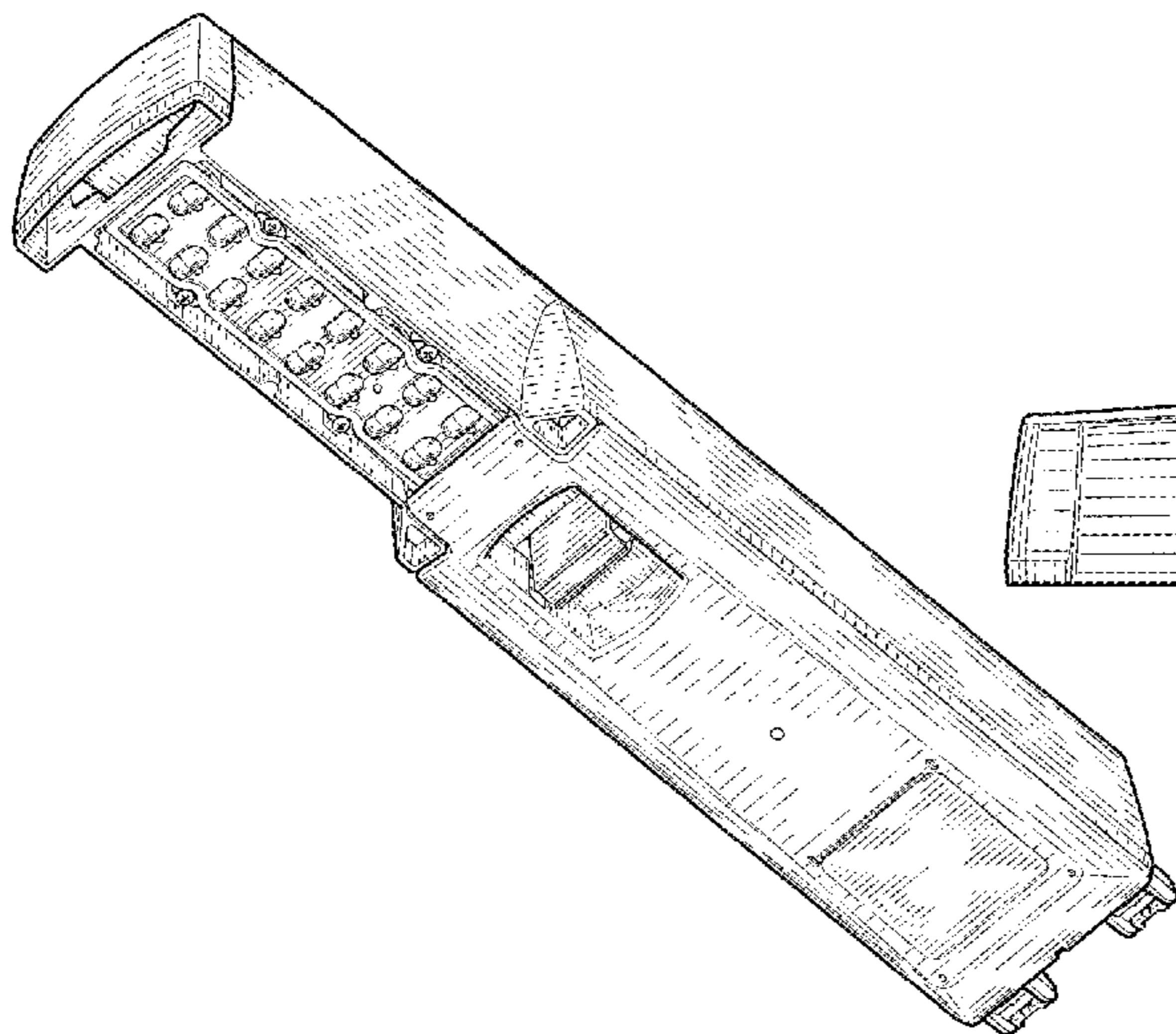
(52) **U.S. Cl.**
USPC **D26/71**

(58) **Field of Classification Search**
USPC D26/69, 70, 71, 72, 85, 92, 118;
362/431, 432

CPC F21V 15/01; F21V 17/107; F21V 19/02;
F21S 8/033; F21S 8/043; F21S 8/085; F21S

FIG. 1 is a perspective view showing my design;
FIG. 2 is a front elevational view thereof;
FIG. 3 is a rear elevational view thereof;
FIG. 4 is a right side elevational view thereof;
FIG. 5 is a left side elevational view thereof;
FIG. 6 is a top plan view thereof; and,
FIG. 7 is a bottom plan view thereof.

1 Claim, 3 Drawing Sheets



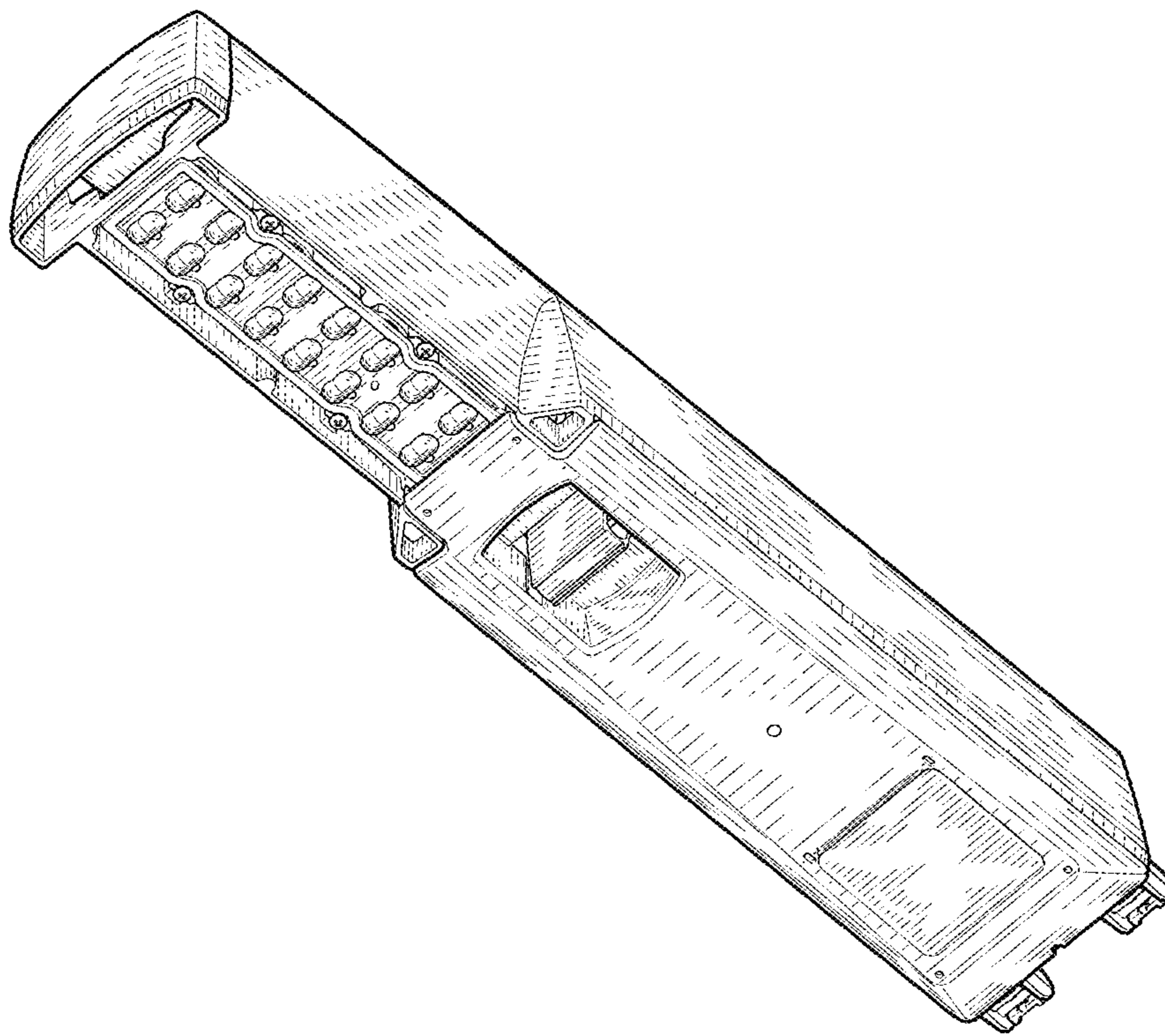


FIG. 1

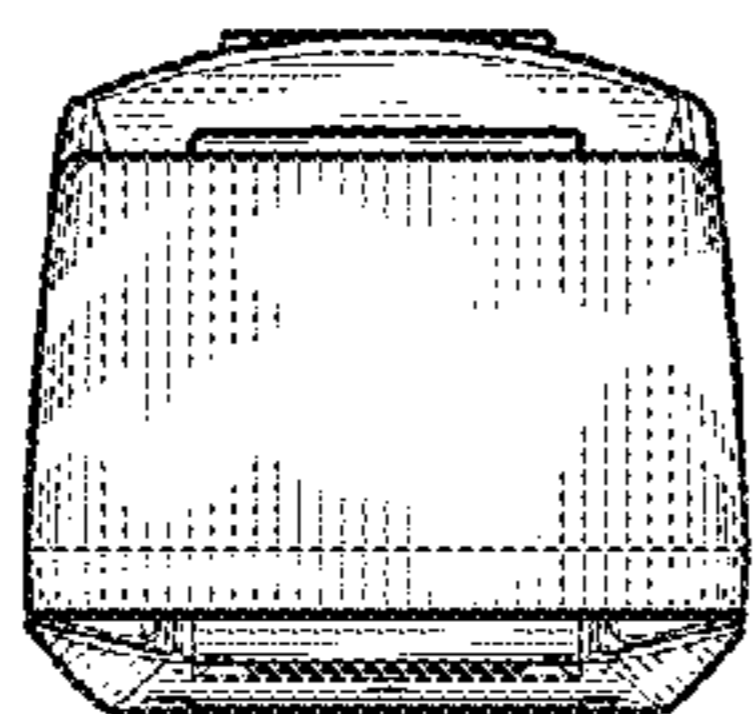


FIG. 2

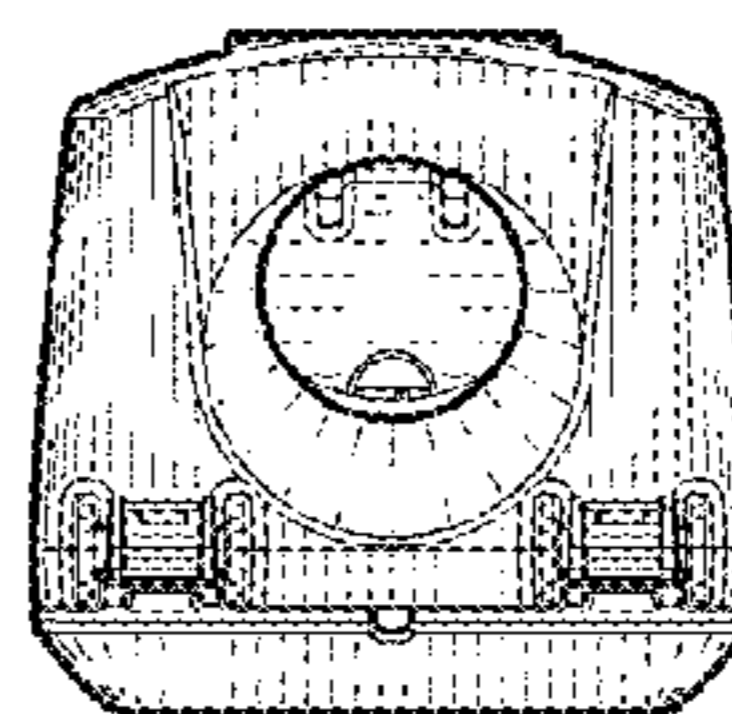


FIG. 3

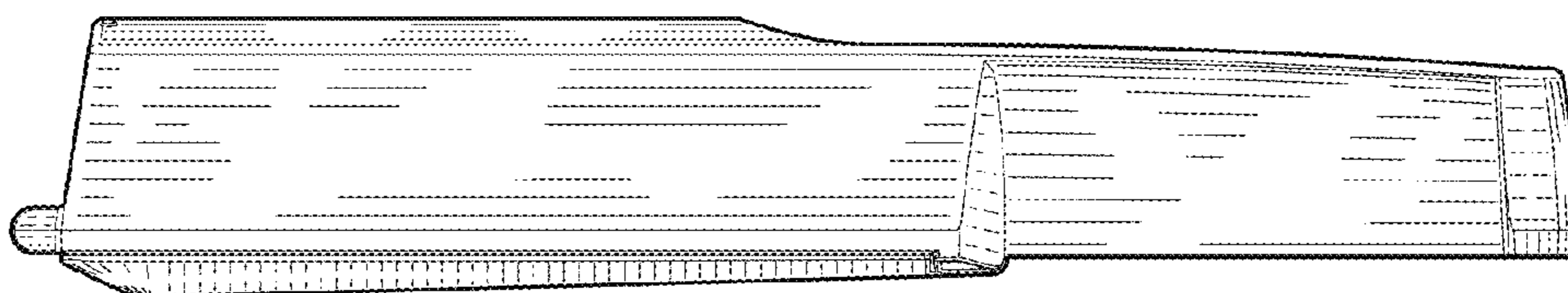


FIG. 4

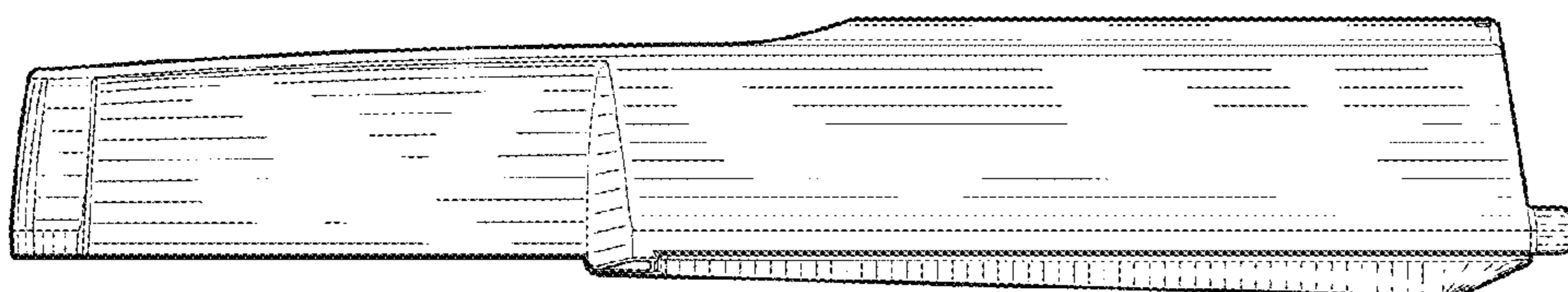


FIG. 5

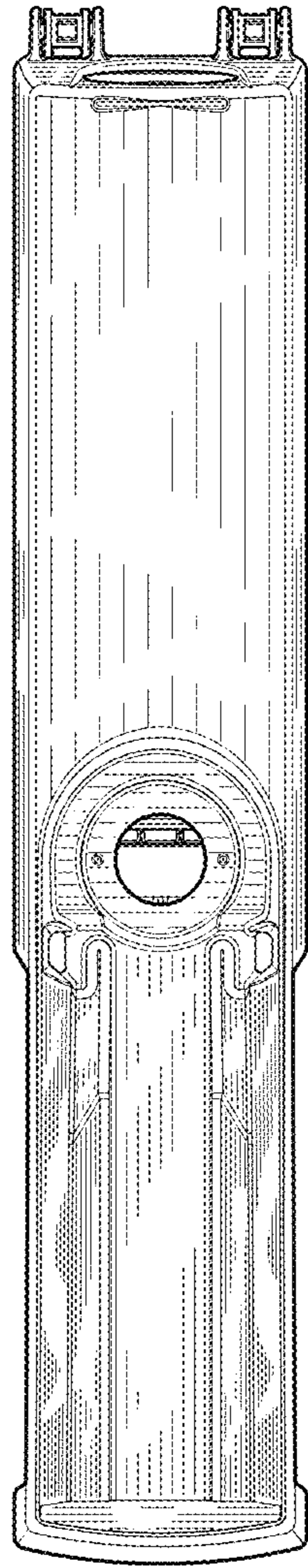


FIG. 6

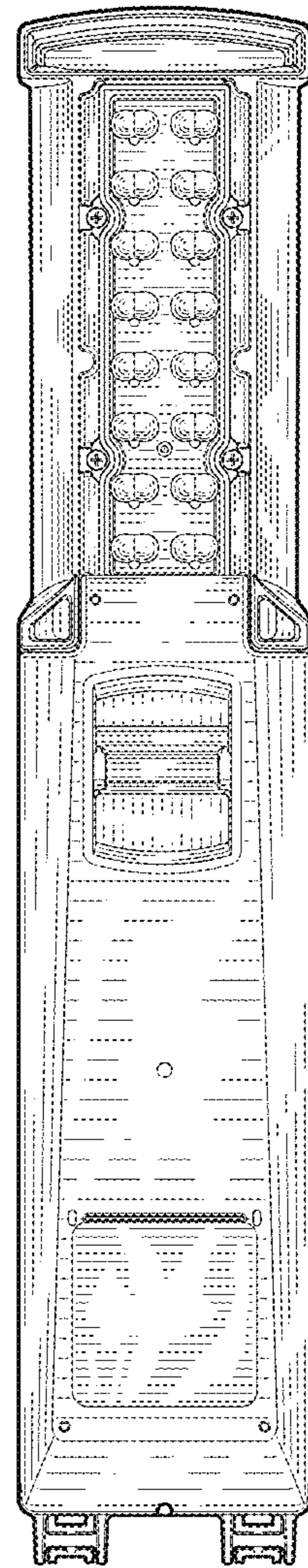


FIG. 7