

US00D733345S

(12) **United States Design Patent**
Recker et al.

(10) **Patent No.:** **US D733,345 S**
(45) **Date of Patent:** **** Jun. 30, 2015**

(54) **SPOTLIGHT**

(56)

References Cited

(71) Applicants: **Michael V Recker**, Gaithersburg, MD
(US); **David B Levine**, Pepper Pike, OH
(US)

(72) Inventors: **Michael V Recker**, Gaithersburg, MD
(US); **David B Levine**, Pepper Pike, OH
(US)

(73) Assignee: **Wireless Environment LLC**, Solon, OH
(US)

(**) Term: **14 Years**

(21) Appl. No.: **29/522,074**

(22) Filed: **Mar. 27, 2015**

U.S. PATENT DOCUMENTS

D173,139 S	10/1954	Black	
D234,801 S *	4/1975	Gore et al.	D26/63
D269,464 S	6/1983	Caroli	
D316,303 S *	4/1991	Layne	D26/63
D340,305 S	10/1993	Hall et al.	
D407,518 S *	3/1999	Yeh	D26/63
D562,486 S	2/2008	Lüke	
D594,997 S	6/2009	Zhu et al.	
D618,837 S	6/2010	Leung et al.	
D645,180 S	9/2011	Slater	
D693,500 S *	11/2013	Souvay et al.	D26/61
D698,477 S *	1/2014	Korpi	D26/63

* cited by examiner

Primary Examiner — Brian N Vinson
(74) *Attorney, Agent, or Firm* — Finnegan, Henderson, Farabow, Garrett & Dunner LLP

(57) **CLAIM**

The ornamental design for a spotlight, as shown and described.

DESCRIPTION

FIG. 1 is a front right perspective view of a spotlight showing our new design;
FIG. 2 is a front elevation view thereof;
FIG. 3 is a rear view thereof;
FIG. 4 is a top view thereof;
FIG. 5 is a bottom view thereof;
FIG. 6 is a right side view thereof; and,
FIG. 7 is a left side view thereof.
The broken lines shown in the drawings illustrate portions of the spotlight that form no part of the claimed design.

Related U.S. Application Data

(63) Continuation of application No. 29/455,578, filed on May 22, 2013.

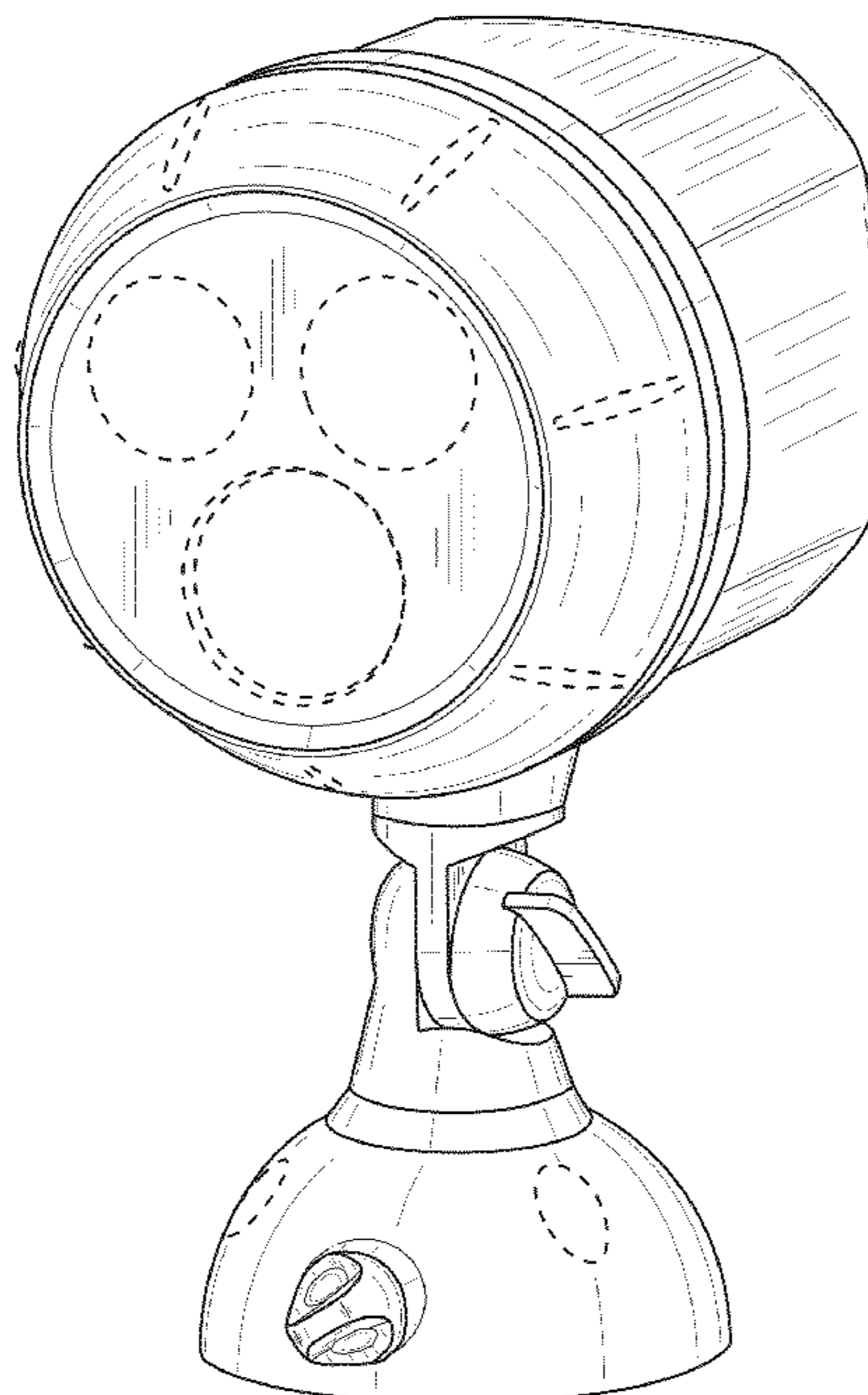
(51) **LOC (10) Cl.** **26-03**

(52) **U.S. Cl.**
USPC **D26/63**

(58) **Field of Classification Search**
USPC D26/1, 24, 61, 63, 65, 85, 92
CPC F21V 21/14; F21V 15/01; F21V 14/02;
F21V 21/30; F21V 21/00; F21V 14/00;
F21S 8/00; F21S 8/003; F21S 8/043; F21Y
2105/001

See application file for complete search history.

1 Claim, 7 Drawing Sheets



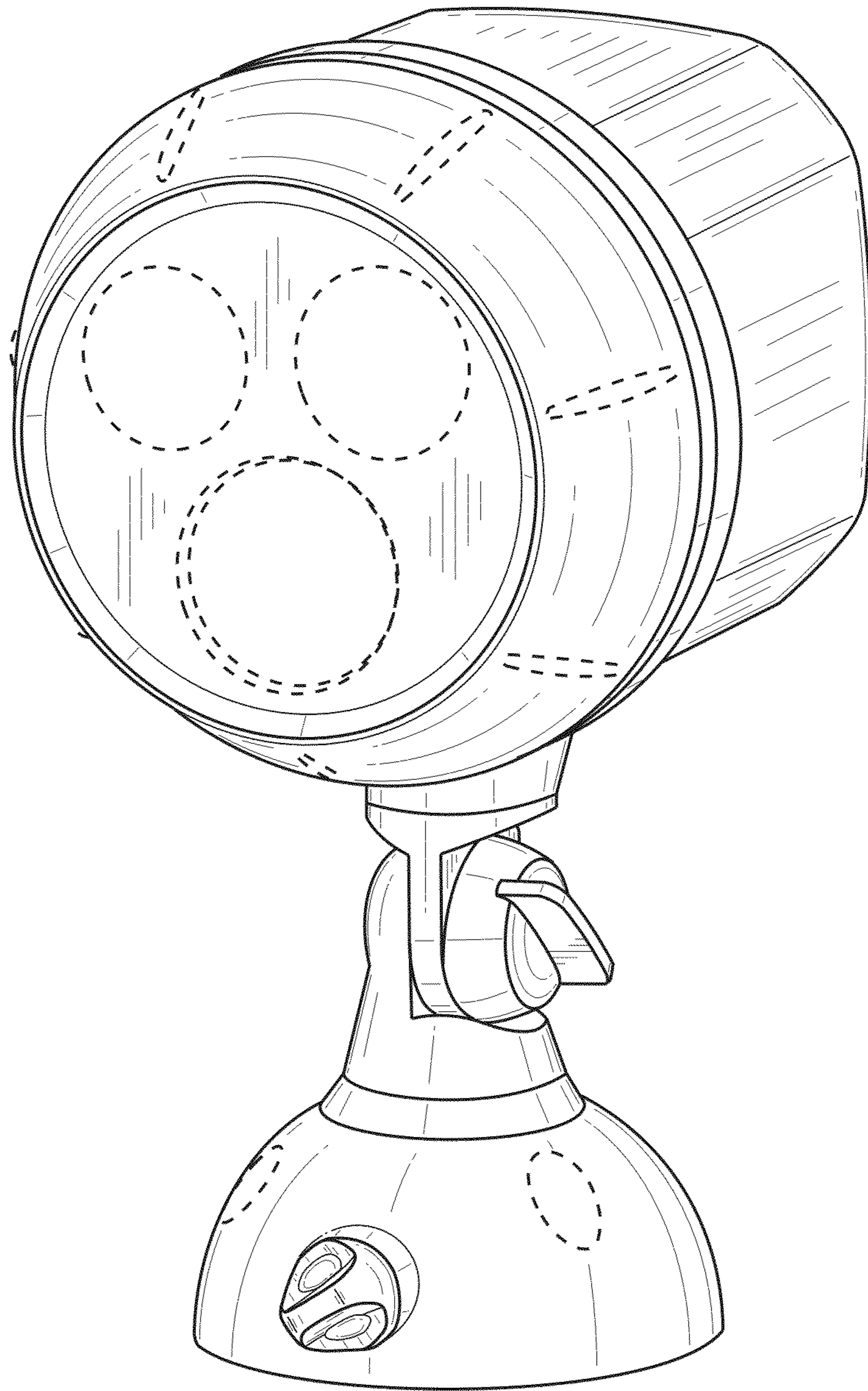


FIG. 1

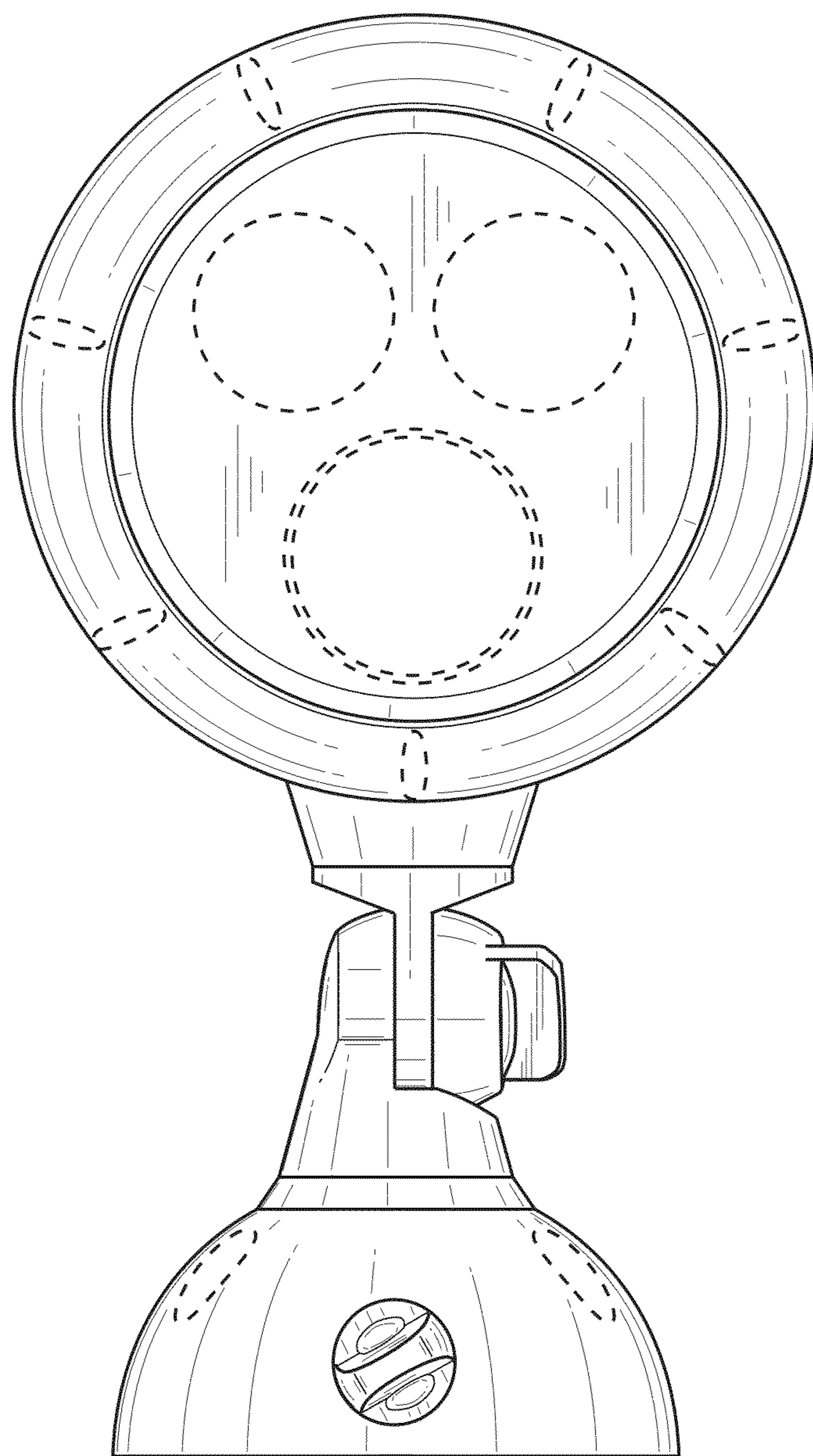


FIG. 2

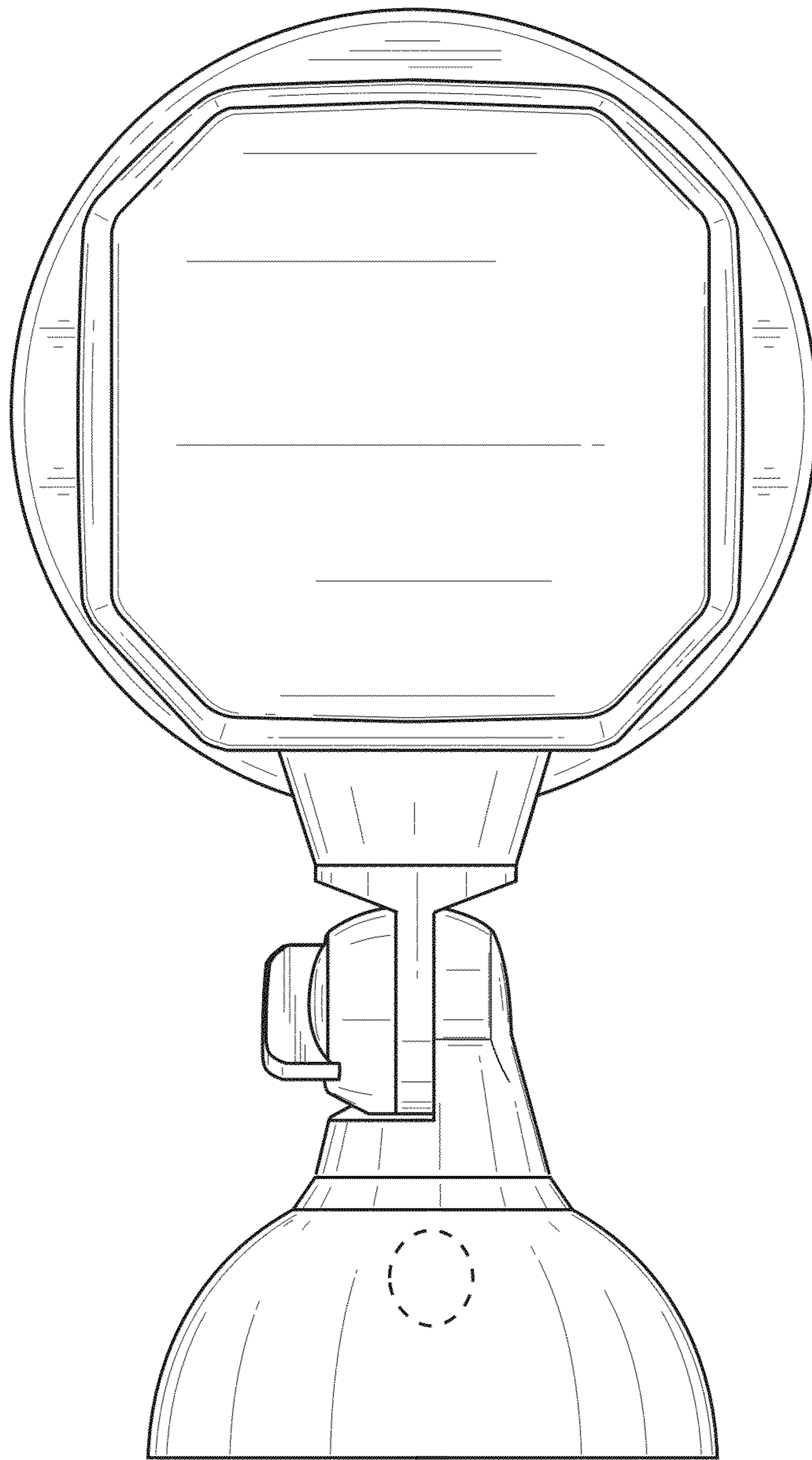


FIG. 3

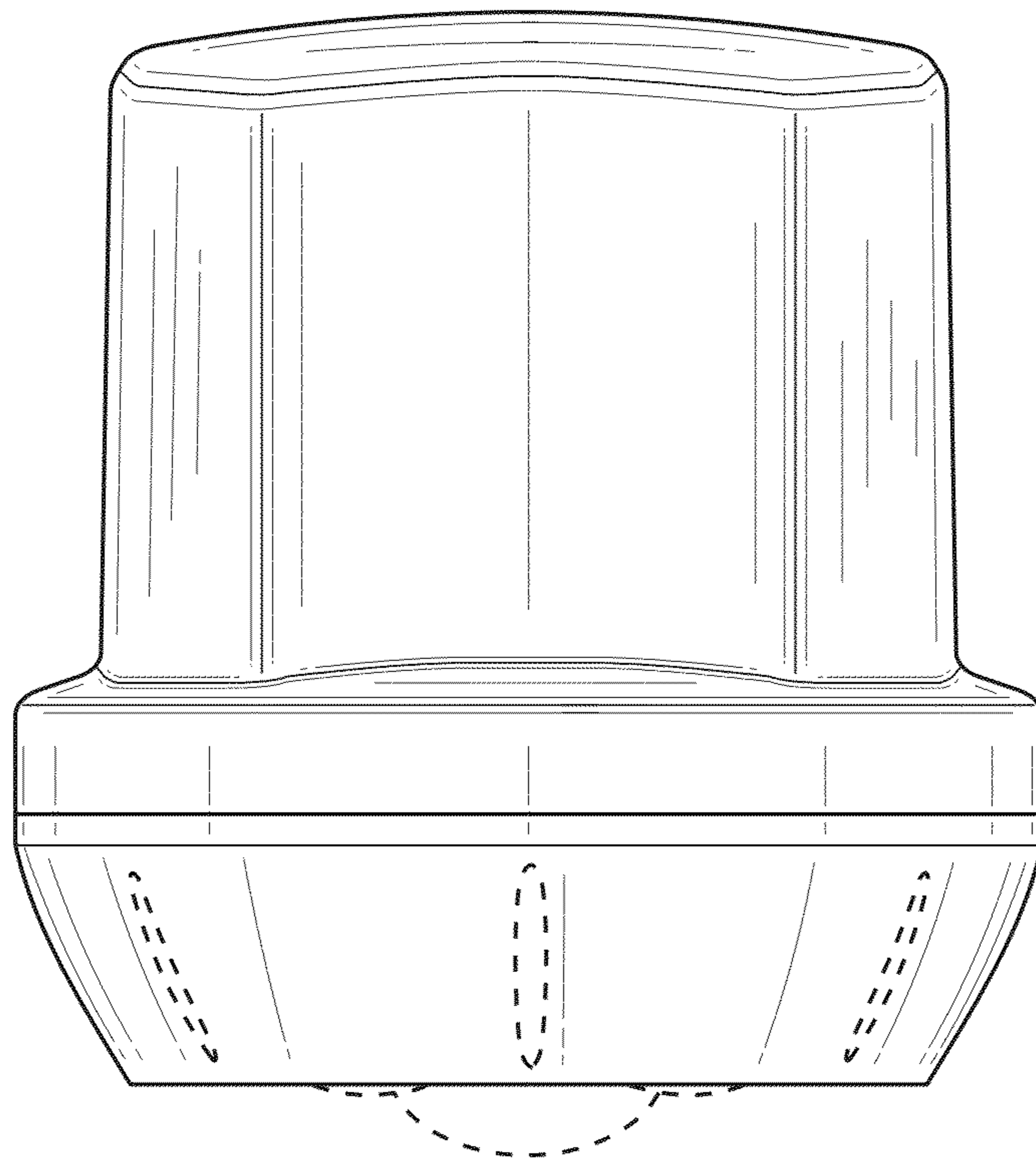


FIG. 4

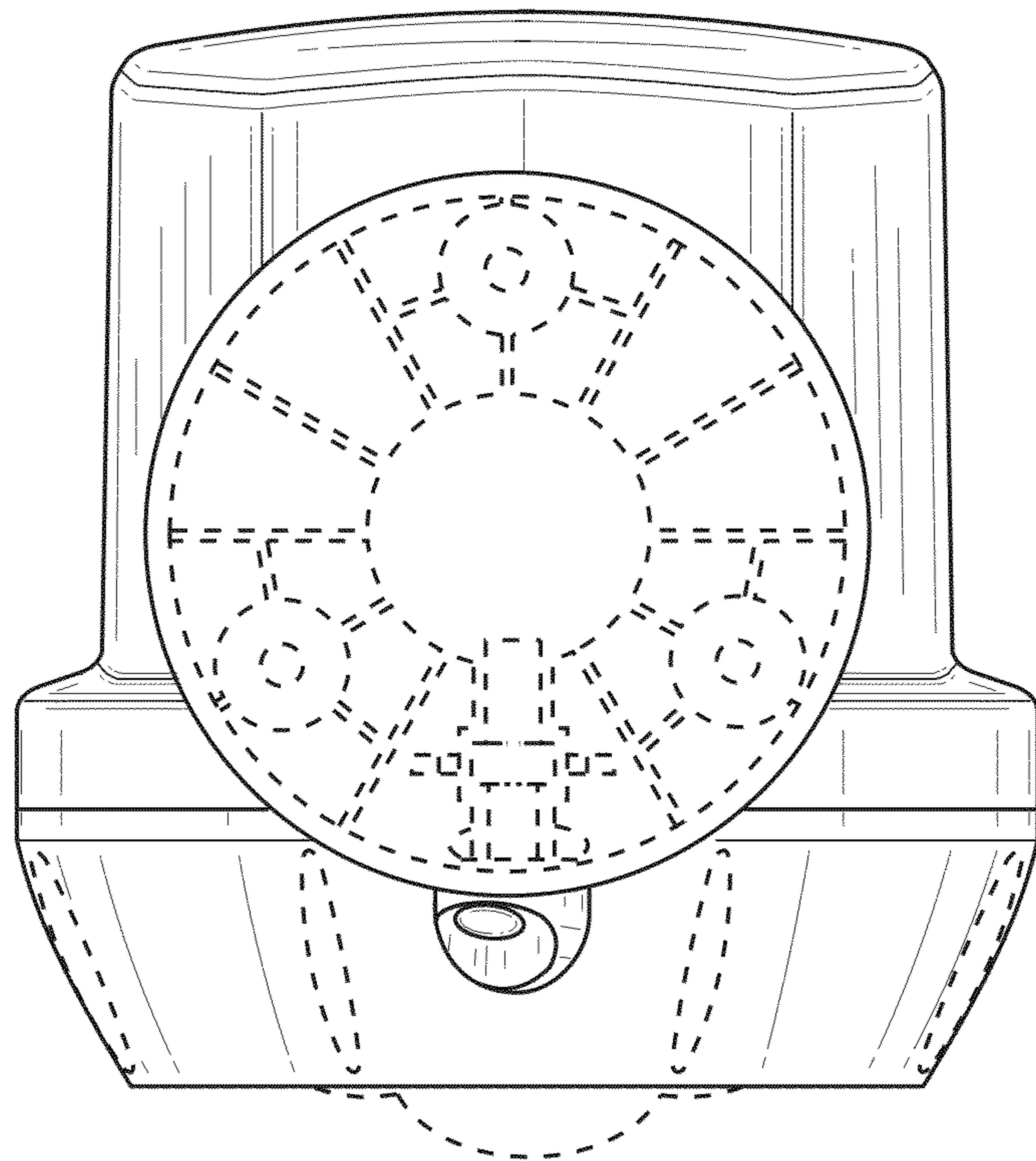


FIG. 5

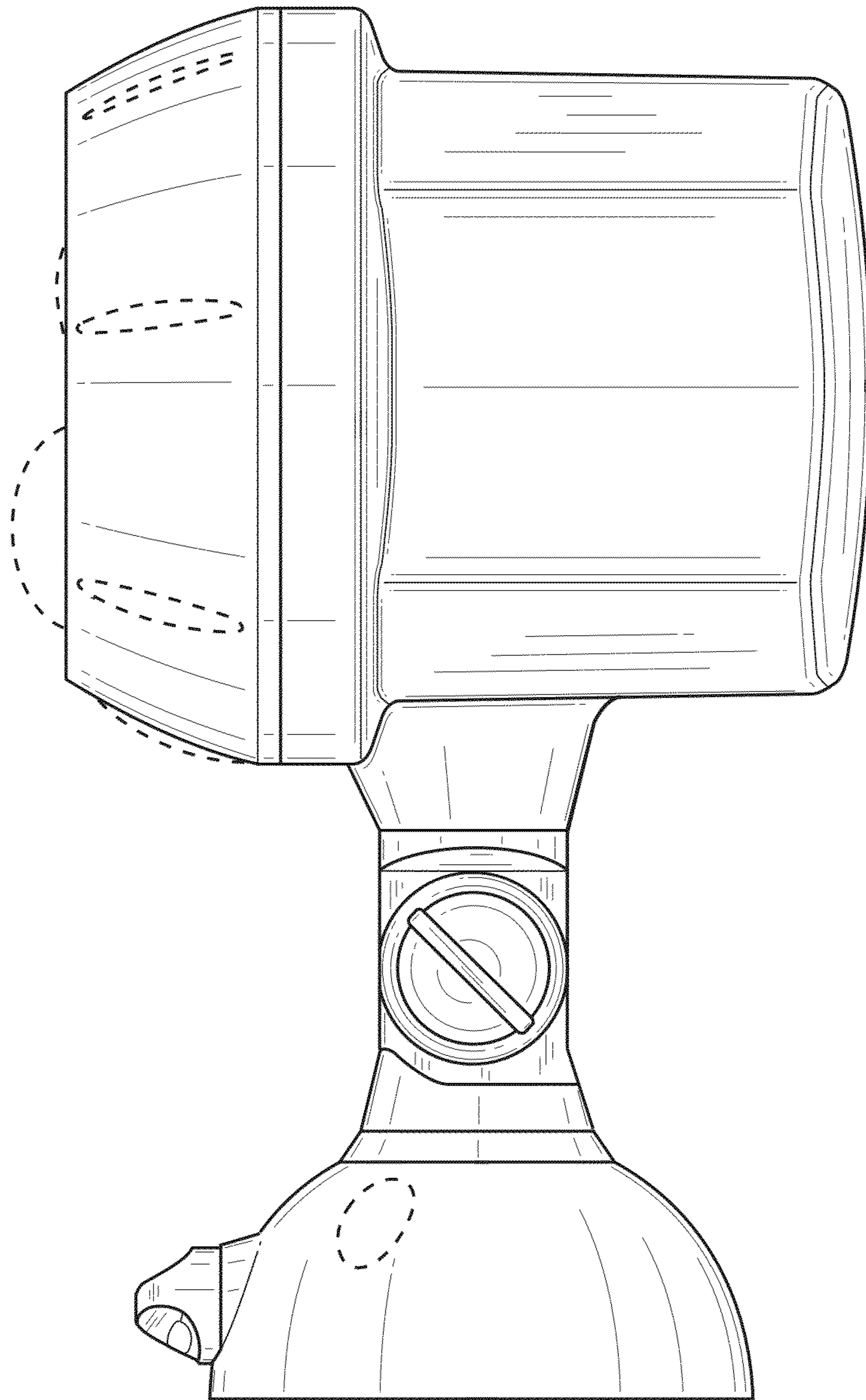


FIG. 6

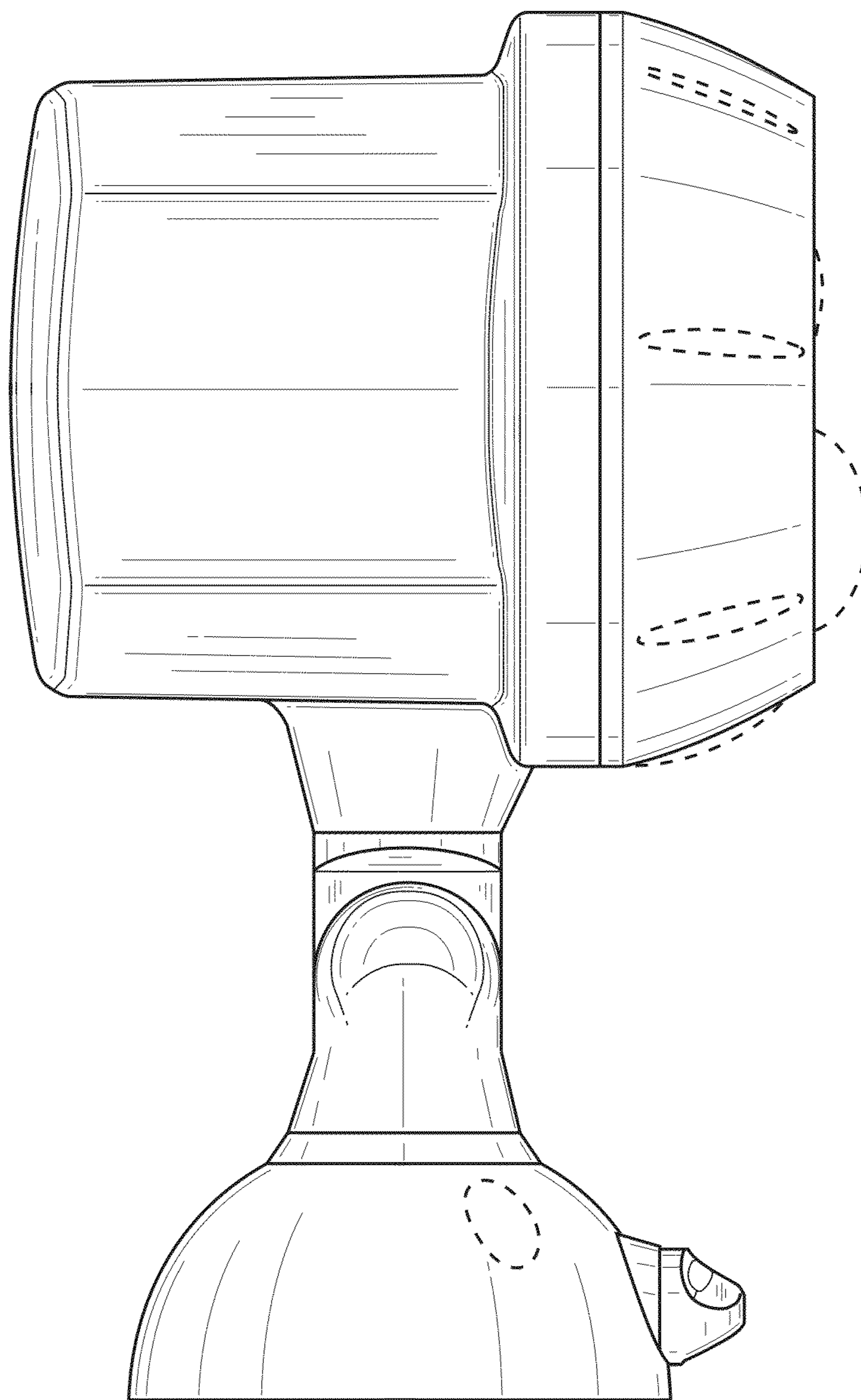


FIG. 7