



US00D733342S

(12) **United States Design Patent**  
**Lee**

(10) **Patent No.:** **US D733,342 S**  
(45) **Date of Patent:** **\*\* Jun. 30, 2015**

(54) **BICYCLE LAMP**

(71) Applicant: **Wen-Sung Lee**, Taichung (TW)

(72) Inventor: **Wen-Sung Lee**, Taichung (TW)

(\*\*) Term: **14 Years**

(21) Appl. No.: **29/452,637**

(22) Filed: **Apr. 19, 2013**

(51) **LOC (10) Cl.** ..... **26-05**

(52) **U.S. Cl.**  
USPC ..... **D26/28**

(58) **Field of Classification Search**  
USPC ..... D26/24, 28, 60  
CPC ..... F21S 48/00; F21S 48/20; F21V 21/08;  
F21V 21/088; F21W 2101/023  
See application file for complete search history.

(56) **References Cited**

**U.S. PATENT DOCUMENTS**

D588,722 S \* 3/2009 Cheng ..... D26/28  
D629,538 S \* 12/2010 Nagano ..... D26/28

D667,580 S \* 9/2012 Lee ..... D26/28  
D678,562 S \* 3/2013 Chan ..... D26/28  
D679,040 S \* 3/2013 Cen et al. .... D26/28  
D709,225 S \* 7/2014 Ueda et al. .... D26/28  
D713,075 S \* 9/2014 Lee ..... D26/28  
D715,980 S \* 10/2014 Ueda et al. .... D26/28  
D717,979 S \* 11/2014 Ueda et al. .... D26/28

\* cited by examiner

*Primary Examiner* — Brian N. Vinson

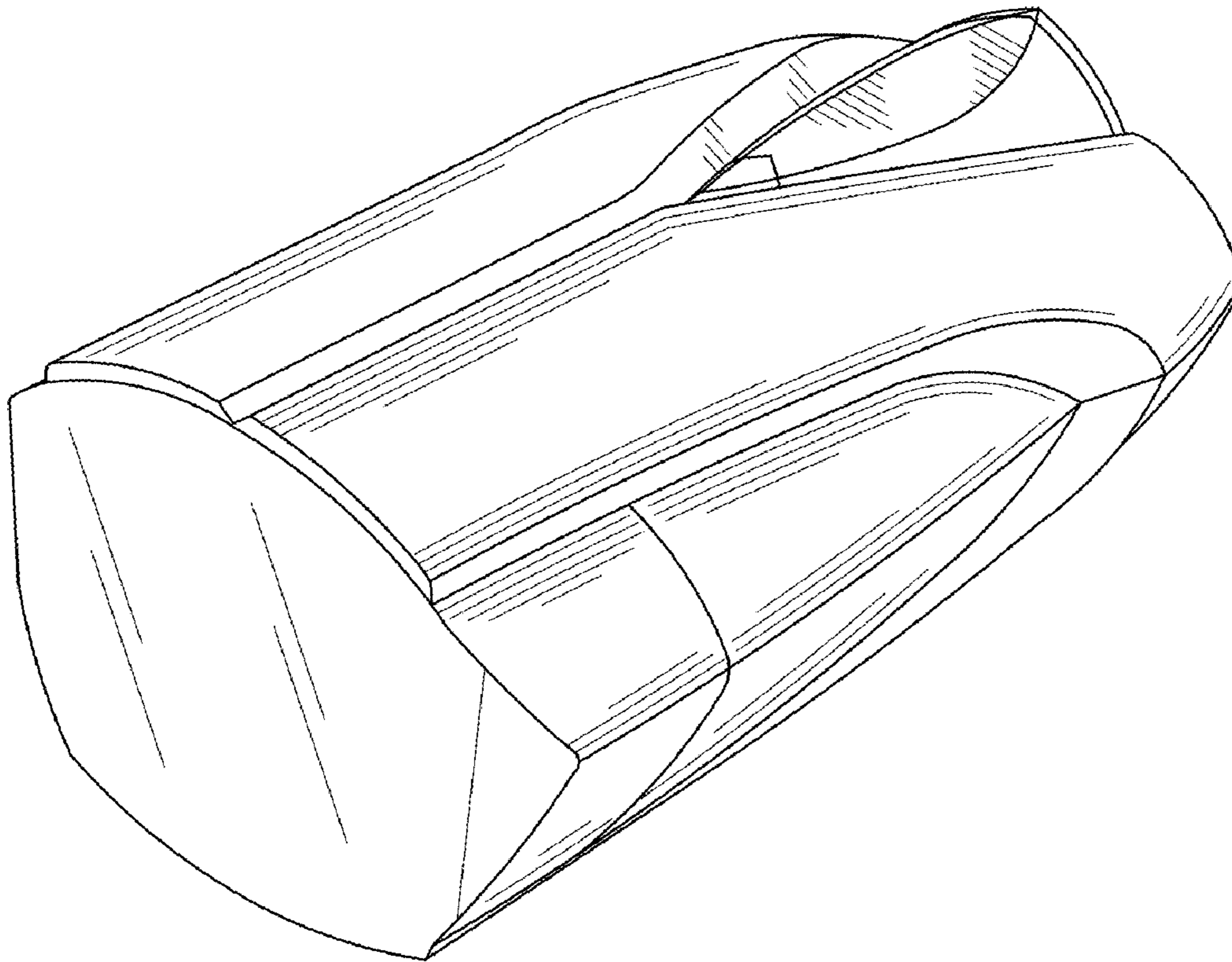
(57) **CLAIM**

The ornamental design for a bicycle lamp, as shown and described.

**DESCRIPTION**

FIG. 1 is a perspective view of a bicycle lamp showing my new design;  
FIG. 2 is a front elevational view thereof;  
FIG. 3 is a rear elevational view thereof;  
FIG. 4 is a left side view thereof;  
FIG. 5 is a right side view thereof;  
FIG. 6 is a top plan view thereof; and,  
FIG. 7 is a bottom plan view thereof.

**1 Claim, 5 Drawing Sheets**



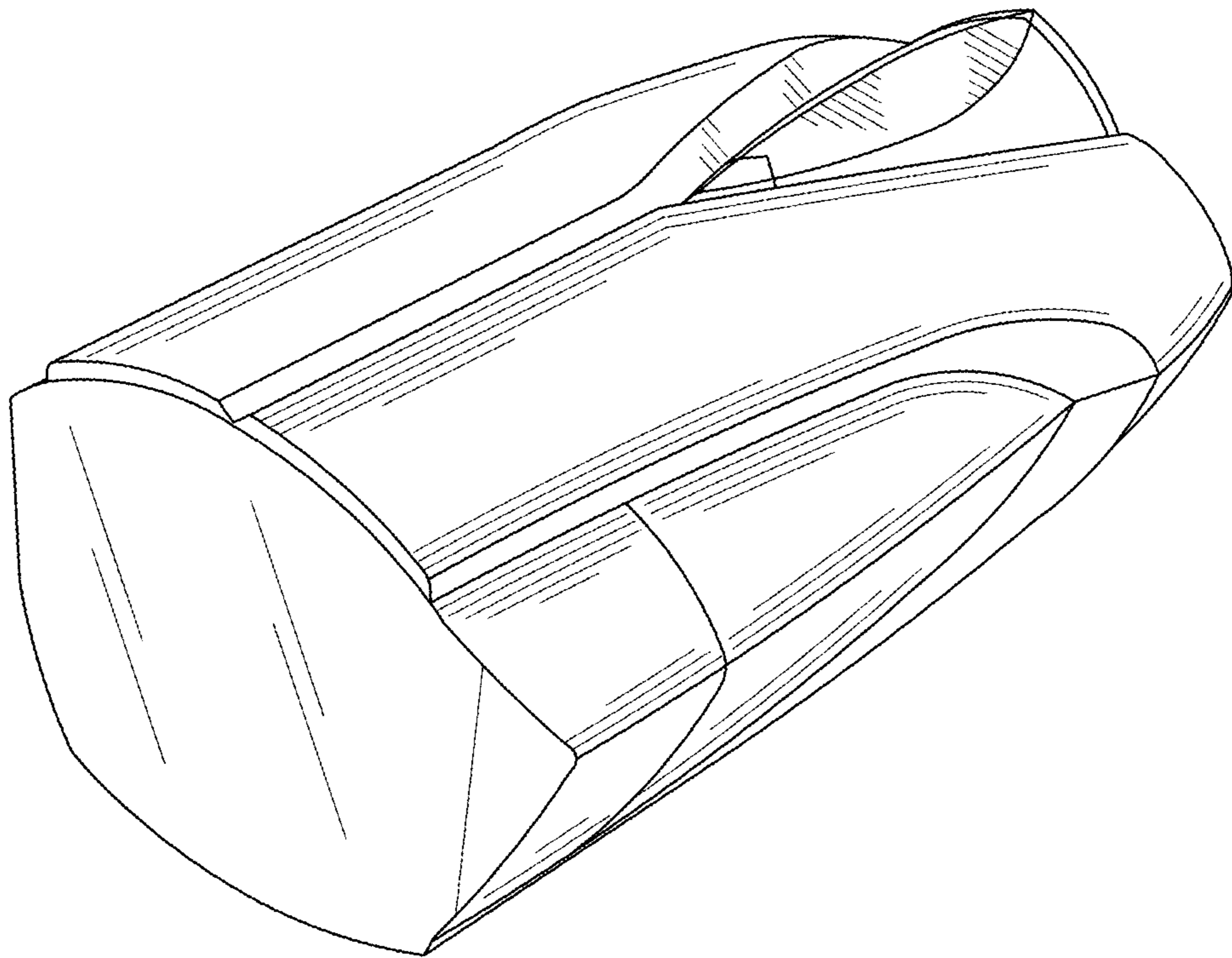


FIG.1

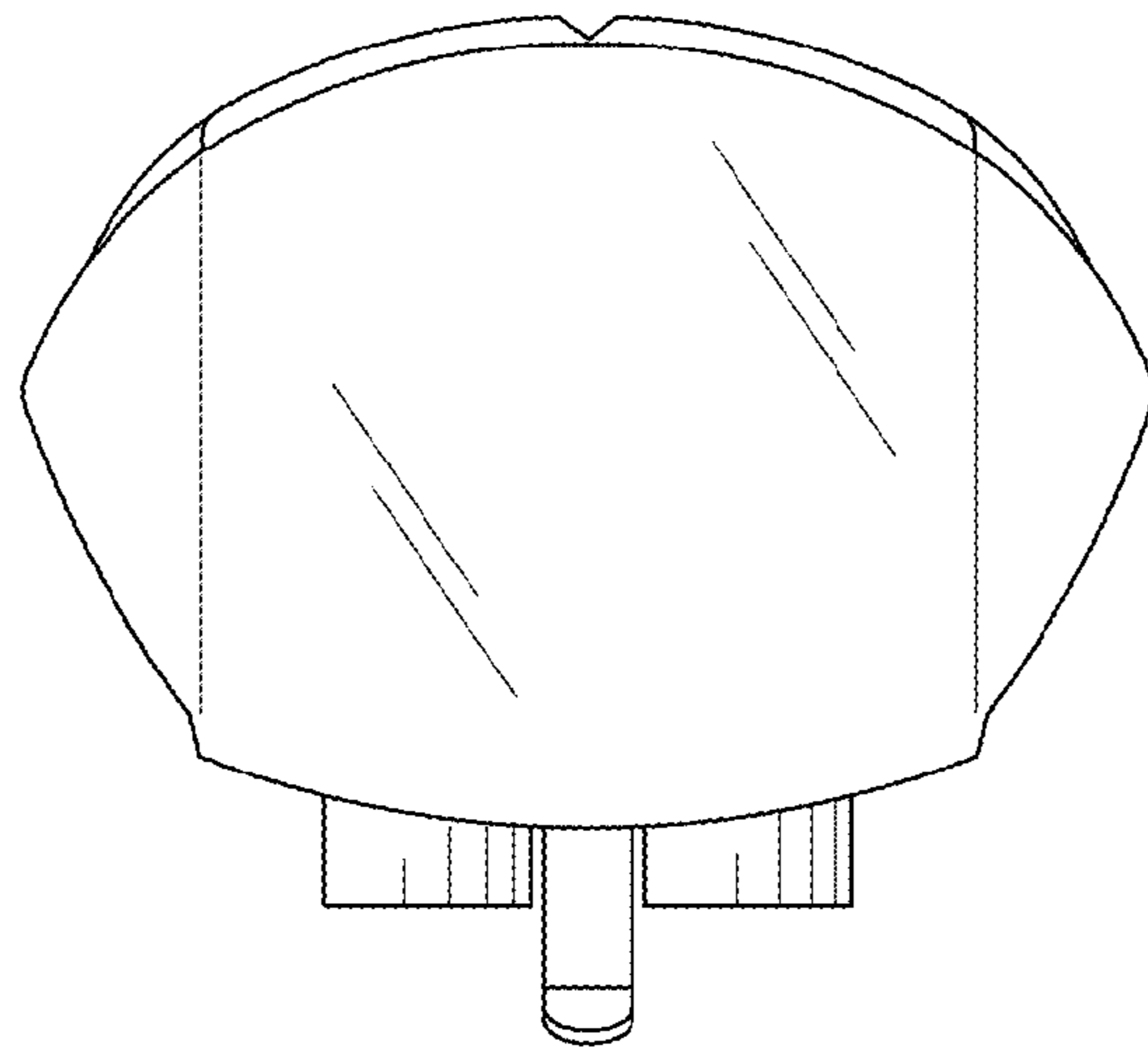


FIG.2

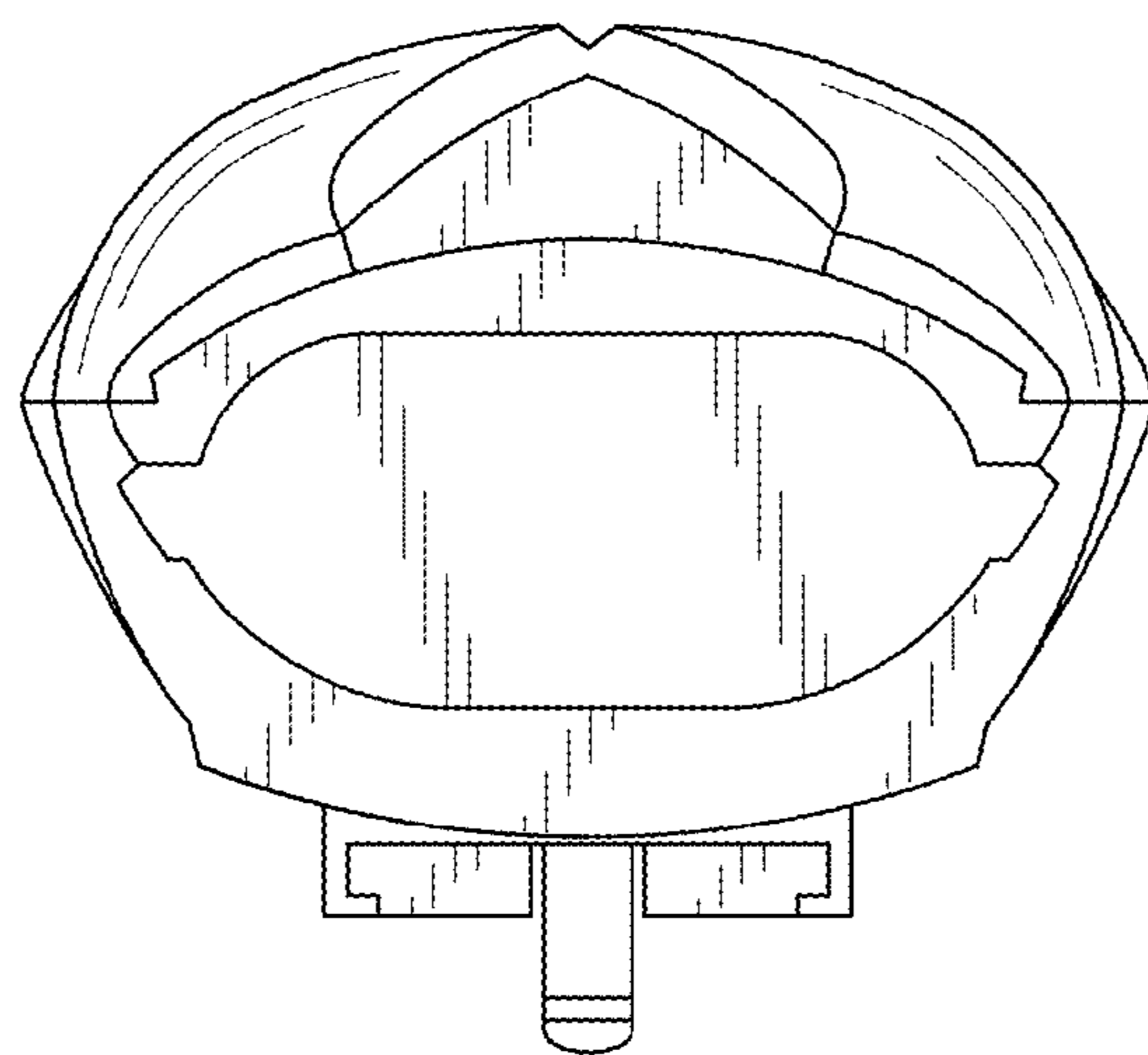


FIG.3

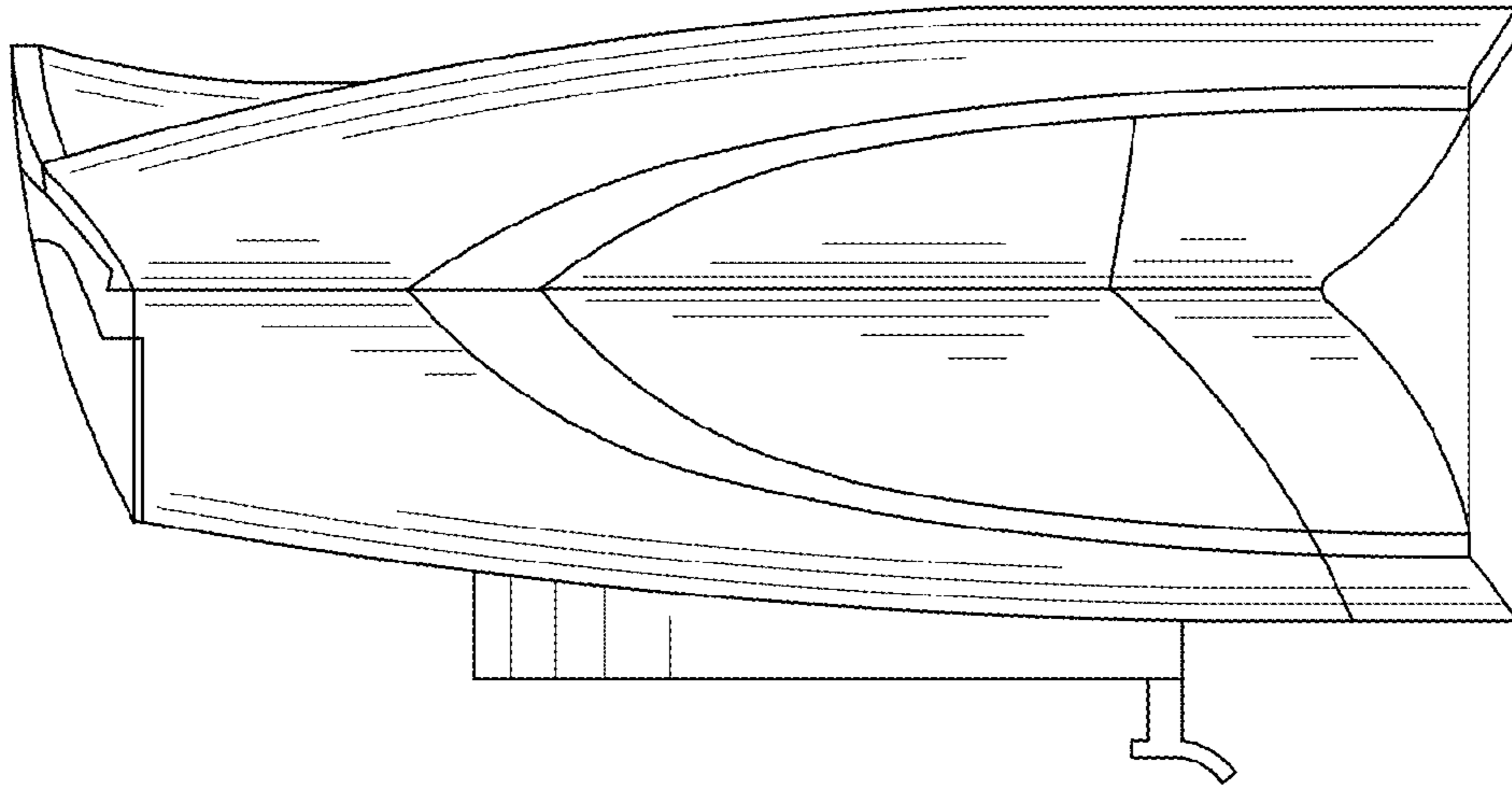


FIG.4

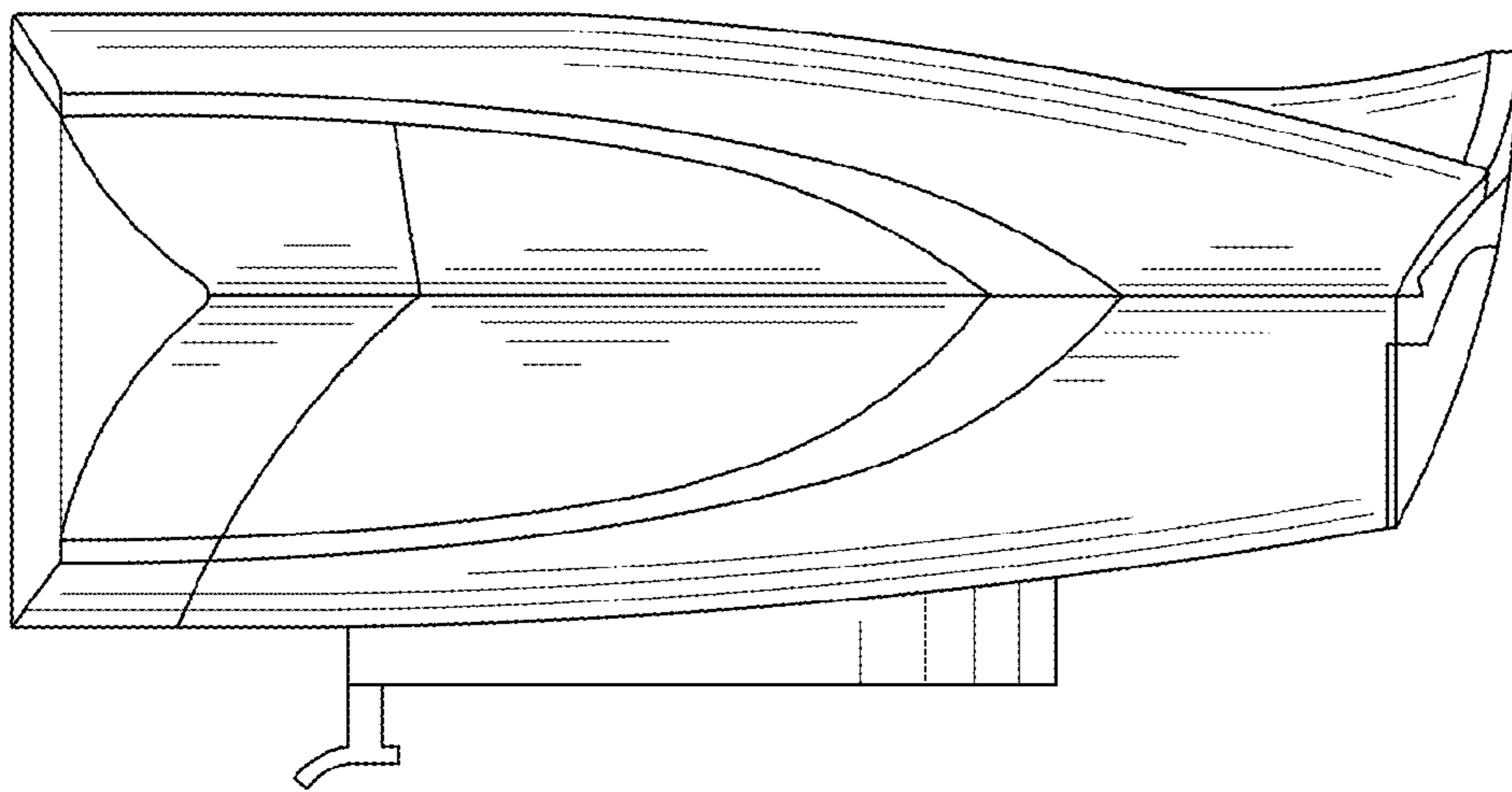


FIG.5

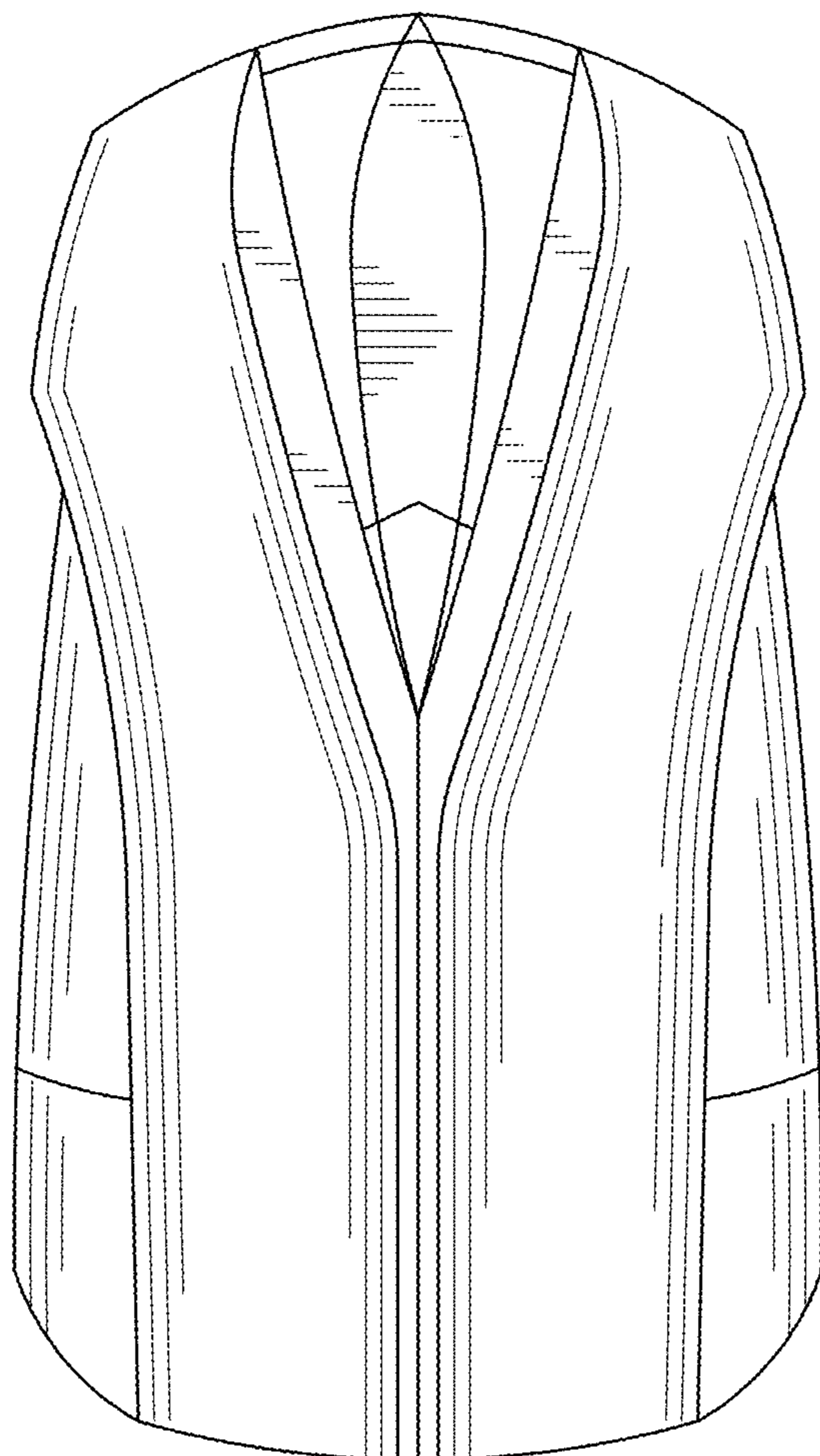


FIG.6

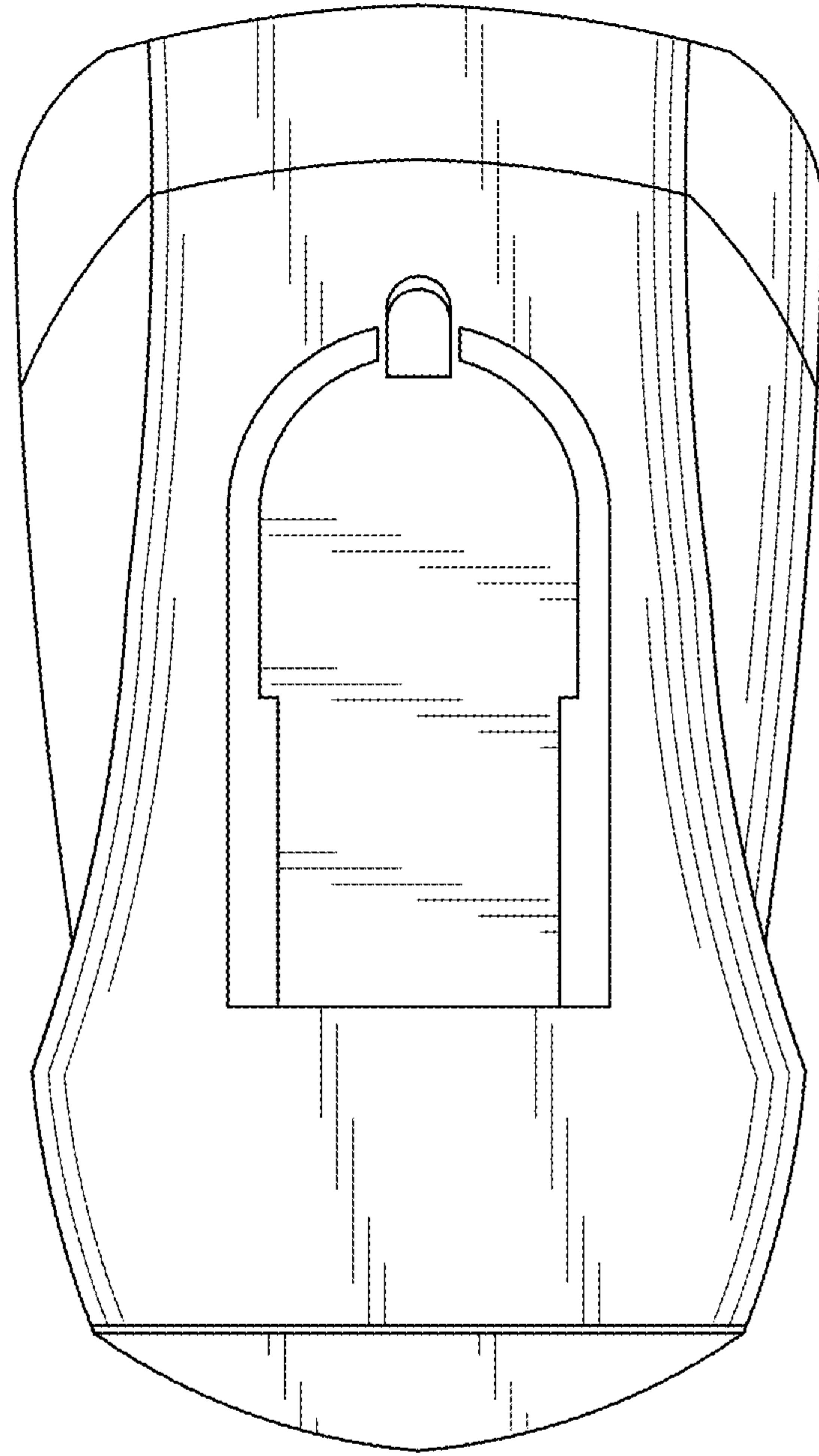


FIG.7