



US00D733340S

(12) **United States Design Patent**
Katona et al.

(10) **Patent No.:** **US D733,340 S**
(45) **Date of Patent:** **** Jun. 30, 2015**

(54) **ELONGATED LINEAR REPLACEMENT LAMP**

(71) Applicant: **NEXT LIGHTING CORP.**, San Francisco, CA (US)

(72) Inventors: **Thomas M. Katona**, San Carlos, CA (US); **Steven Paolini**, Saratoga, CA (US)

(73) Assignee: **NEXT LIGHTING, CORP.**, San Francisco

(**) Term: **14 Years**

(21) Appl. No.: **29/470,662**

(22) Filed: **Oct. 23, 2013**

(51) **LOC (10) Cl.** **26-04**

(52) **U.S. Cl.**
USPC **D26/3**

(58) **Field of Classification Search**
USPC D26/1-4; 313/313, 315, 316, 317, 318, 313/493; 315/52, 53, 56, 57, 58
See application file for complete search history.

(56) **References Cited**

U.S. PATENT DOCUMENTS

D477,093 S * 7/2003 Moriyama et al. D26/3
D477,094 S * 7/2003 Moriyama et al. D26/3

* cited by examiner

Primary Examiner — Marcus Jackson

(74) *Attorney, Agent, or Firm* — Wilson Sonsini Goodrich & Rosati

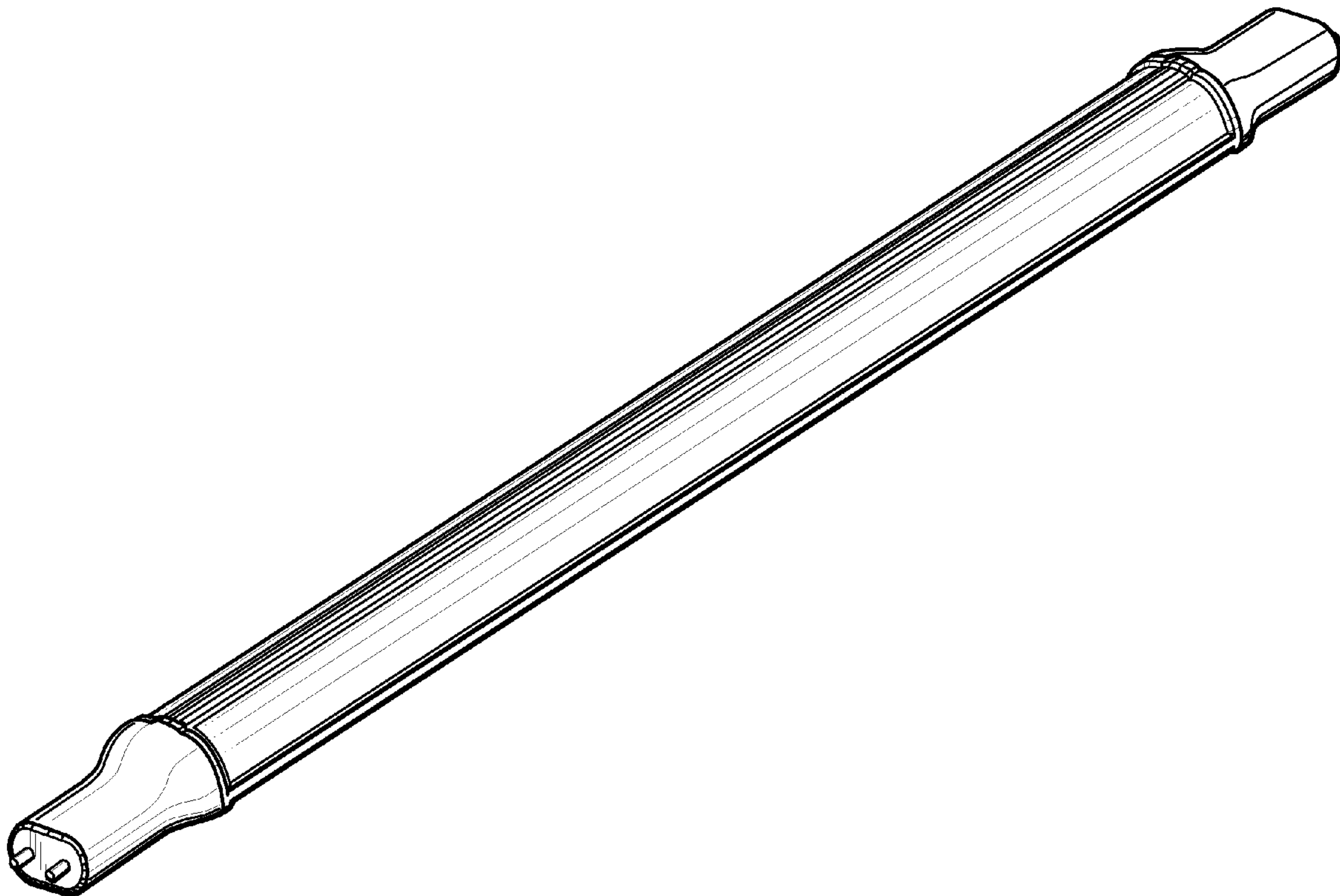
(57) **CLAIM**

The ornamental design for a elongated linear replacement lamp, as shown and described.

DESCRIPTION

FIG. 1 is a top perspective view of a elongated linear replacement lamp showing our new design;
FIG. 2 is a bottom perspective view thereof;
FIG. 3 is a top view thereof;
FIG. 4 is a side view thereof;
FIG. 5 is a bottom view thereof; and,
FIG. 6 is an enlarged end elevational view thereof.

1 Claim, 4 Drawing Sheets



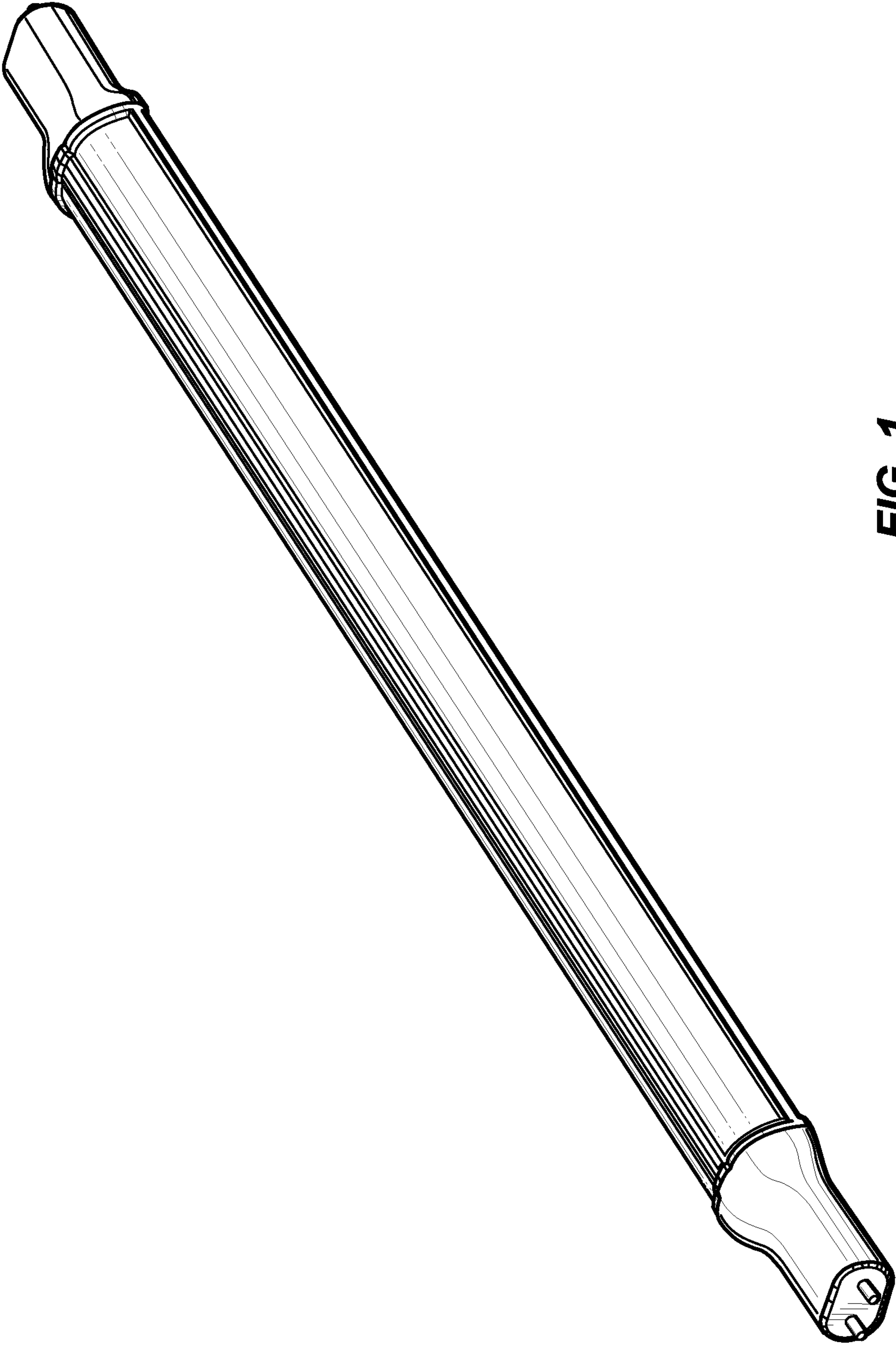


FIG. 1

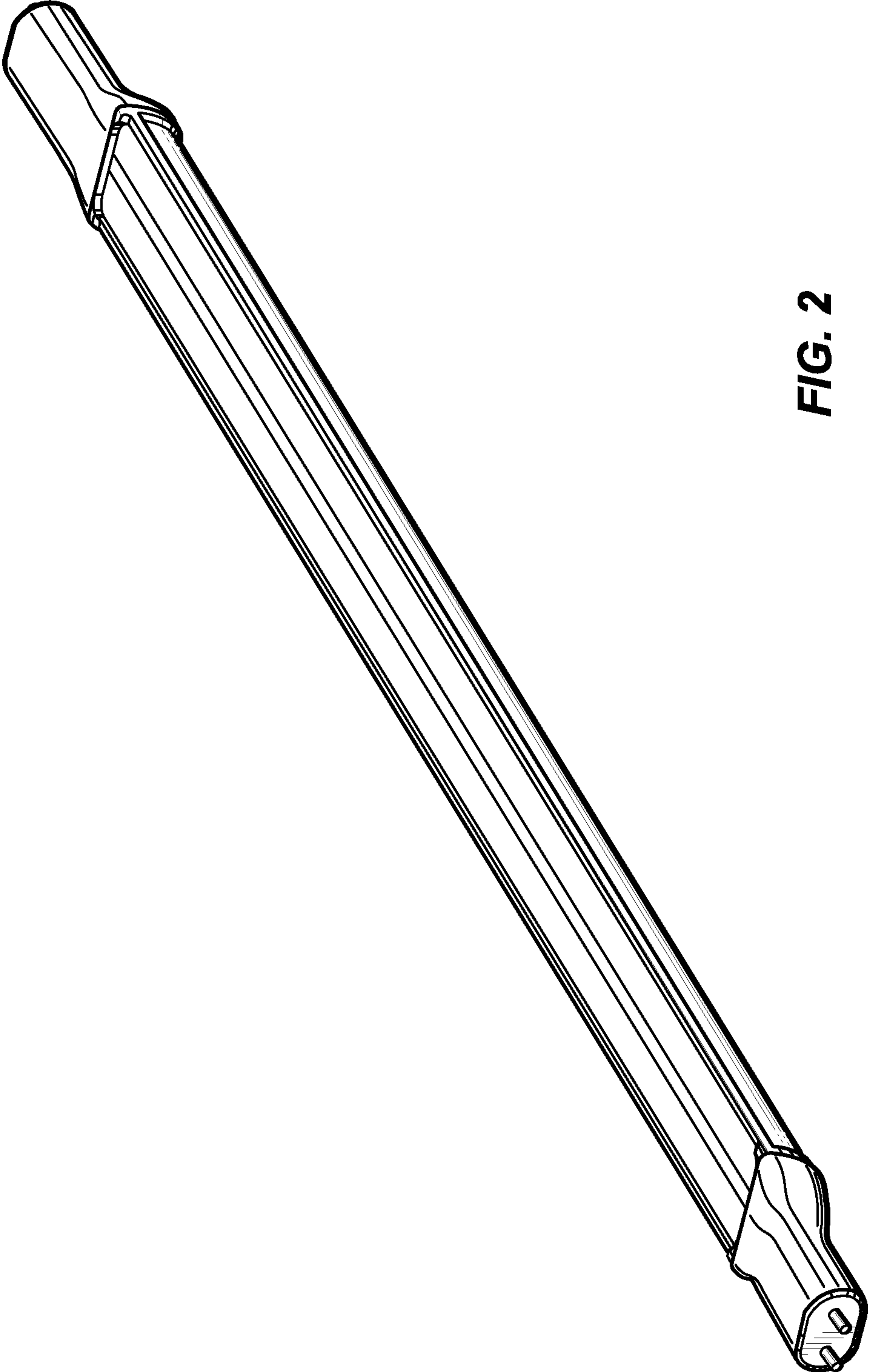


FIG. 2

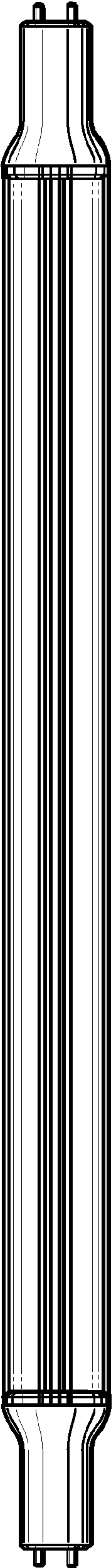


FIG. 3

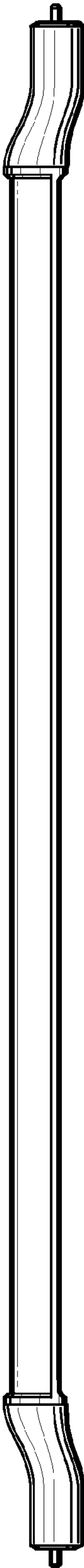


FIG. 4

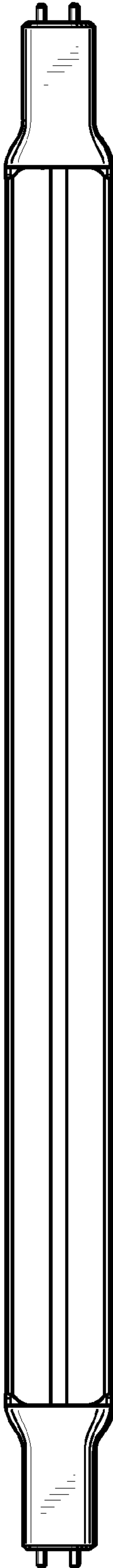


FIG. 5

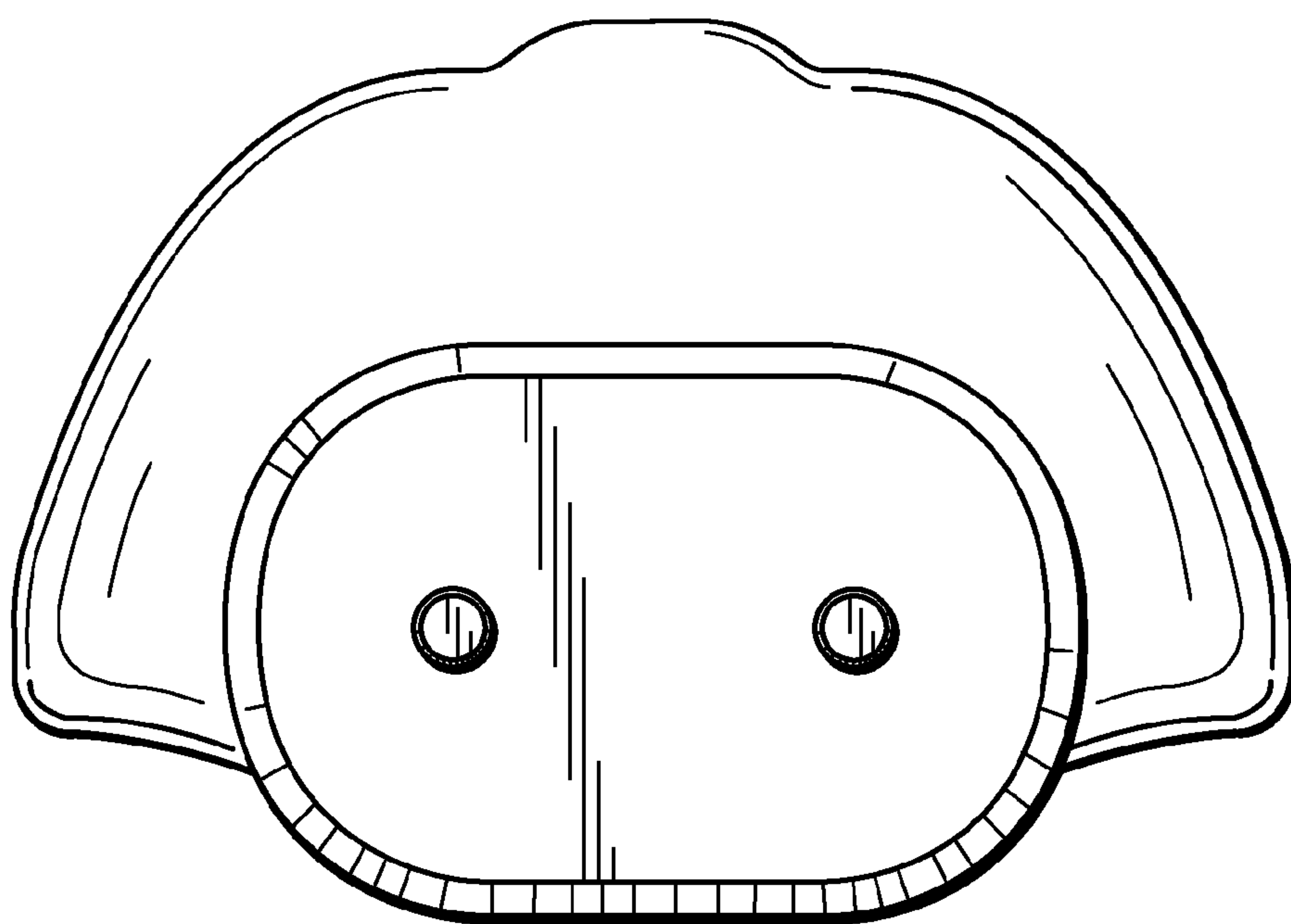


FIG. 6

UNITED STATES PATENT AND TRADEMARK OFFICE
CERTIFICATE OF CORRECTION

PATENT NO. : D733,340 S
APPLICATION NO. : 29/470662
DATED : June 30, 2015
INVENTOR(S) : Thomas M. Katona et al.

Page 1 of 1

It is certified that error appears in the above-identified patent and that said Letters Patent is hereby corrected as shown below:

Title Page

Item (54) Title:

Change "ELONGATED LINEAR REPLACEMENT LAMP" to -- LINEAR
REPLACEMENT LAMP --

Signed and Sealed this
Third Day of May, 2016



Michelle K. Lee
Director of the United States Patent and Trademark Office

UNITED STATES PATENT AND TRADEMARK OFFICE
CERTIFICATE OF CORRECTION

PATENT NO. : D733,340 S
APPLICATION NO. : 29/470662
DATED : June 30, 2015
INVENTOR(S) : Thomas M. Katona et al.

Page 1 of 1

It is certified that error appears in the above-identified patent and that said Letters Patent is hereby corrected as shown below:

The Certificate of Correction was denied by the SPE (Supervisory Patent Examiner). The SPE states “The request specifically notes a change to the title in Item 54. However, the proposed change would be inconsistent with the title as noted in at least the claim (57) and drawing description. The Certificate of Correction which issued on May 3, 2016 was published in error and should not have been issued for this patent. The Certificate of Correction is vacated and the patent is returned to its original state.

Signed and Sealed this
Twenty-first Day of March, 2017



Michelle K. Lee
Director of the United States Patent and Trademark Office