



US00D733337S

(12) **United States Design Patent**
Yu

(10) **Patent No.:** **US D733,337 S**
(45) **Date of Patent:** **** Jun. 30, 2015**

(54) **LED LAMP**

(71) Applicant: **Ningbo Paccar Electronic Co., Ltd.,**
Cixi (CN)

(72) Inventor: **Miaorui Yu, Cixi (CN)**

(73) Assignee: **Ningbo Paccar Electronic Co., Ltd.,**
Cixi (CN)

(**) Term: **14 Years**

(21) Appl. No.: **29/492,423**

(22) Filed: **May 30, 2014**

(30) **Foreign Application Priority Data**

Dec. 6, 2013 (CN) 2013 3 0605434

(51) **LOC (10) Cl.** **26-04**

(52) **U.S. Cl.**
USPC **D26/2**

(58) **Field of Classification Search**
USPC D26/1-4; 313/313, 315, 316, 317, 318,
313/493; 315/52, 53, 56, 57, 58

See application file for complete search history.

(56) **References Cited**

U.S. PATENT DOCUMENTS

D610,271 S *	2/2010	Bi	D26/2
D616,120 S *	5/2010	Wada et al.	D26/2
D617,918 S *	6/2010	Yamamoto et al.	D26/2
D631,569 S *	1/2011	Bobel	D26/2
D631,571 S *	1/2011	Bobel	D26/2
D658,790 S *	5/2012	Lee	D26/2
D695,927 S *	12/2013	Anderson et al.	D26/2

* cited by examiner

Primary Examiner — Marcus Jackson

(74) *Attorney, Agent, or Firm* — Gemini Patent Services,
Inc.; Stephen Hsu; Li K. Wang

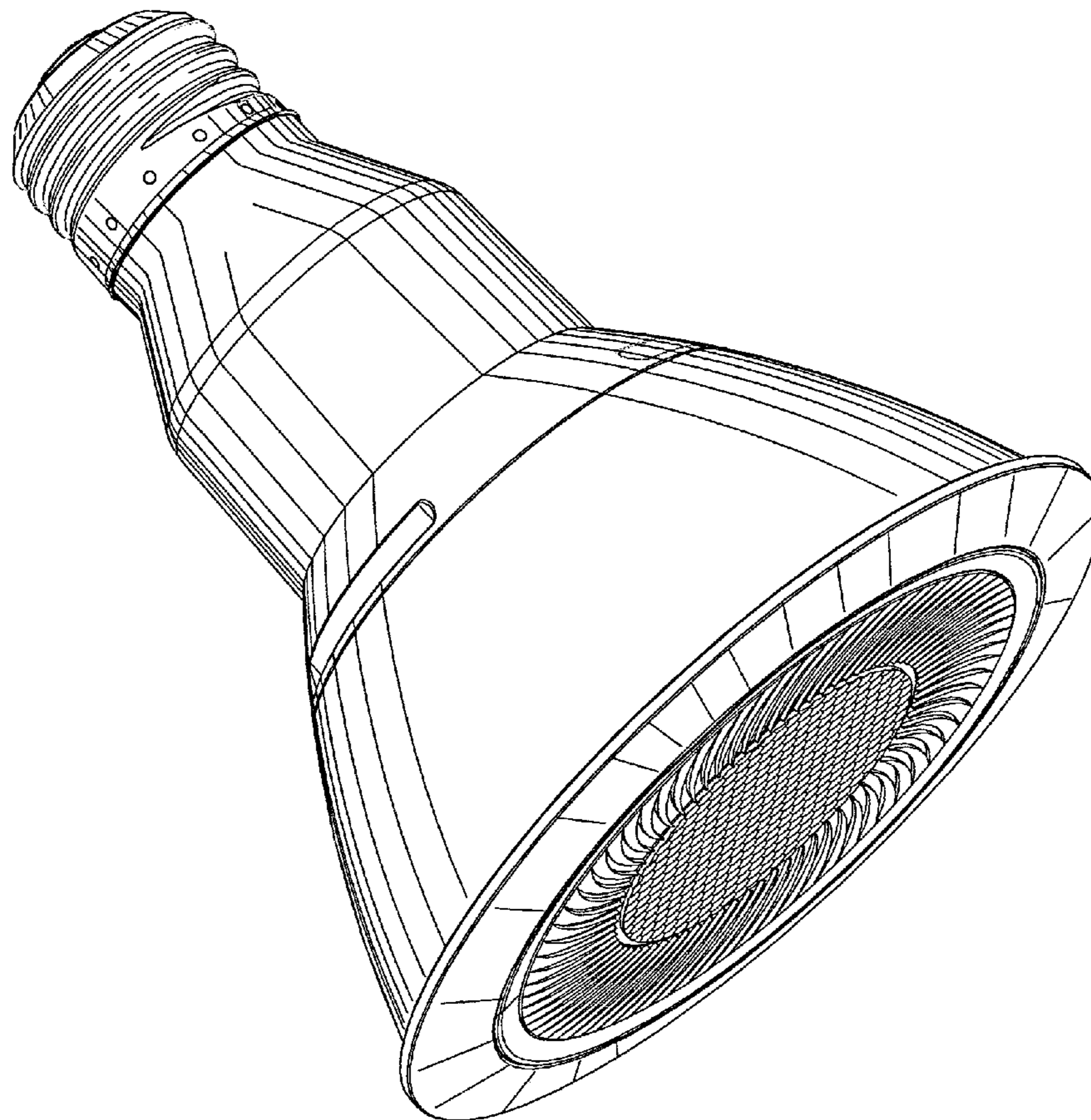
(57) **CLAIM**

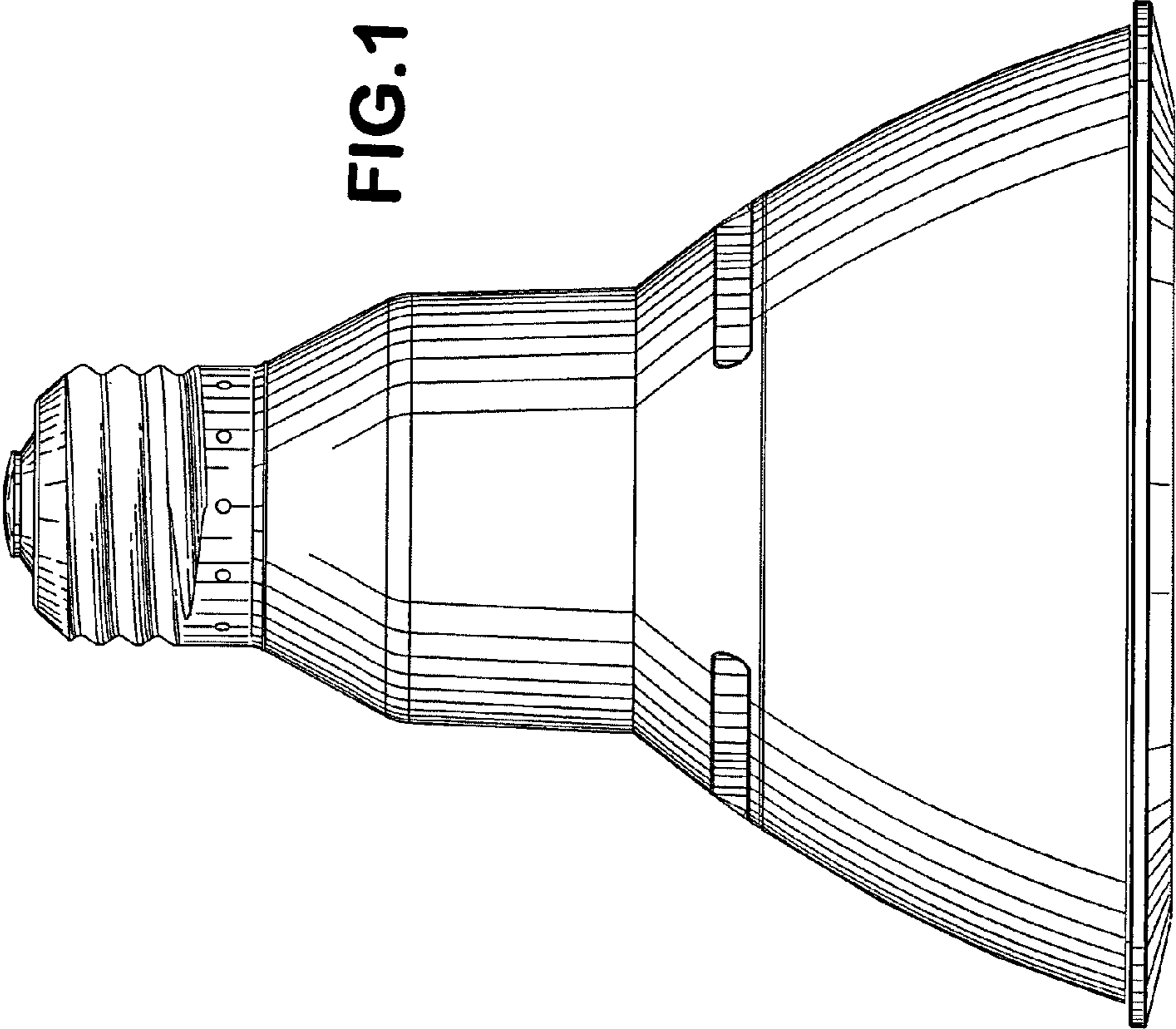
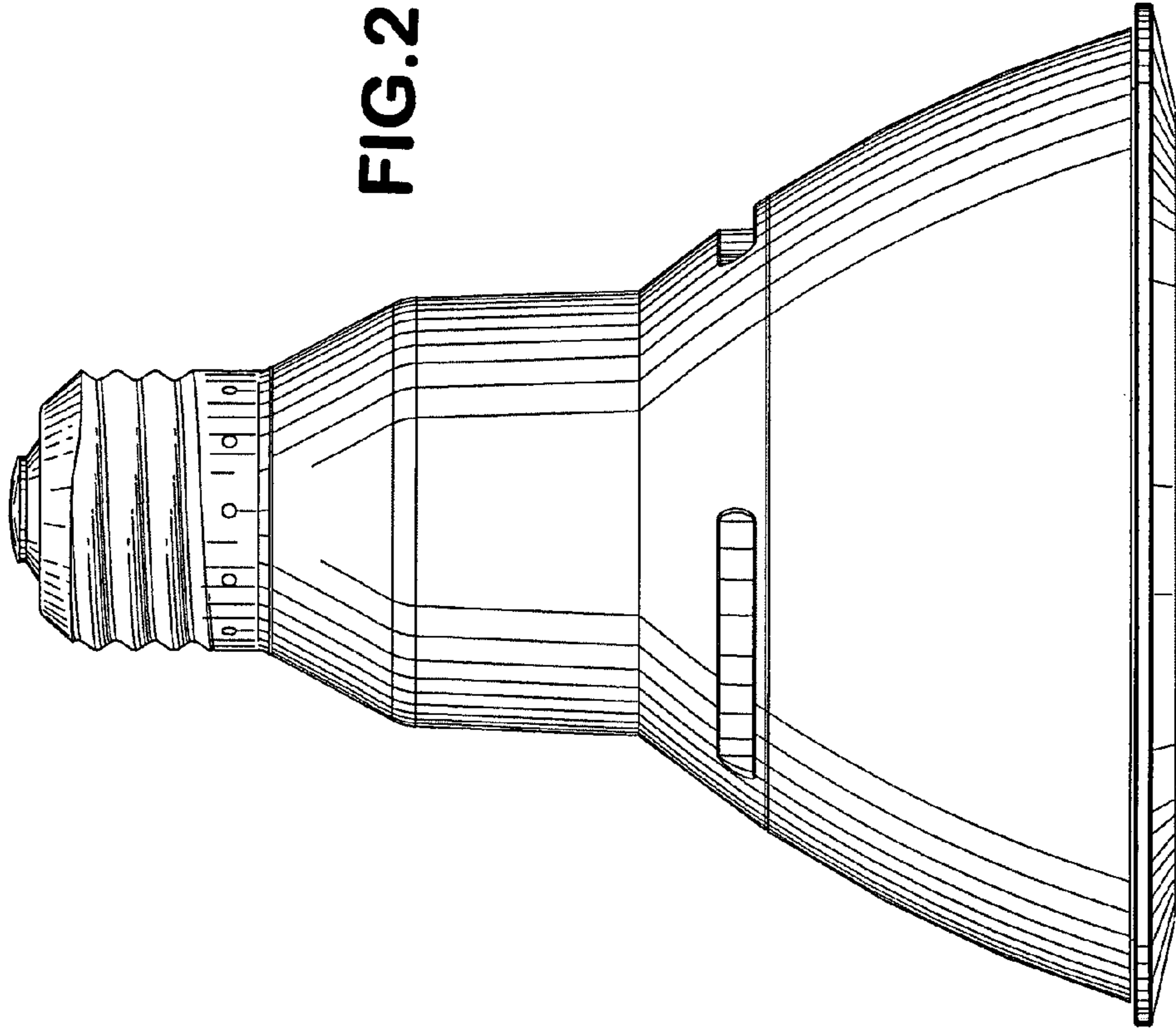
The ornamental design for an LED lamp, as shown and described.

DESCRIPTION

FIG. 1 is a front view of the LED lamp;
FIG. 2 is a right side view thereof;
FIG. 3 is a left side view thereof;
FIG. 4 is a back side view thereof;
FIG. 5 is a bottom plan view thereof;
FIG. 6 is a top plan view thereof; and,
FIG. 7 is a perspective view thereof.

1 Claim, 4 Drawing Sheets





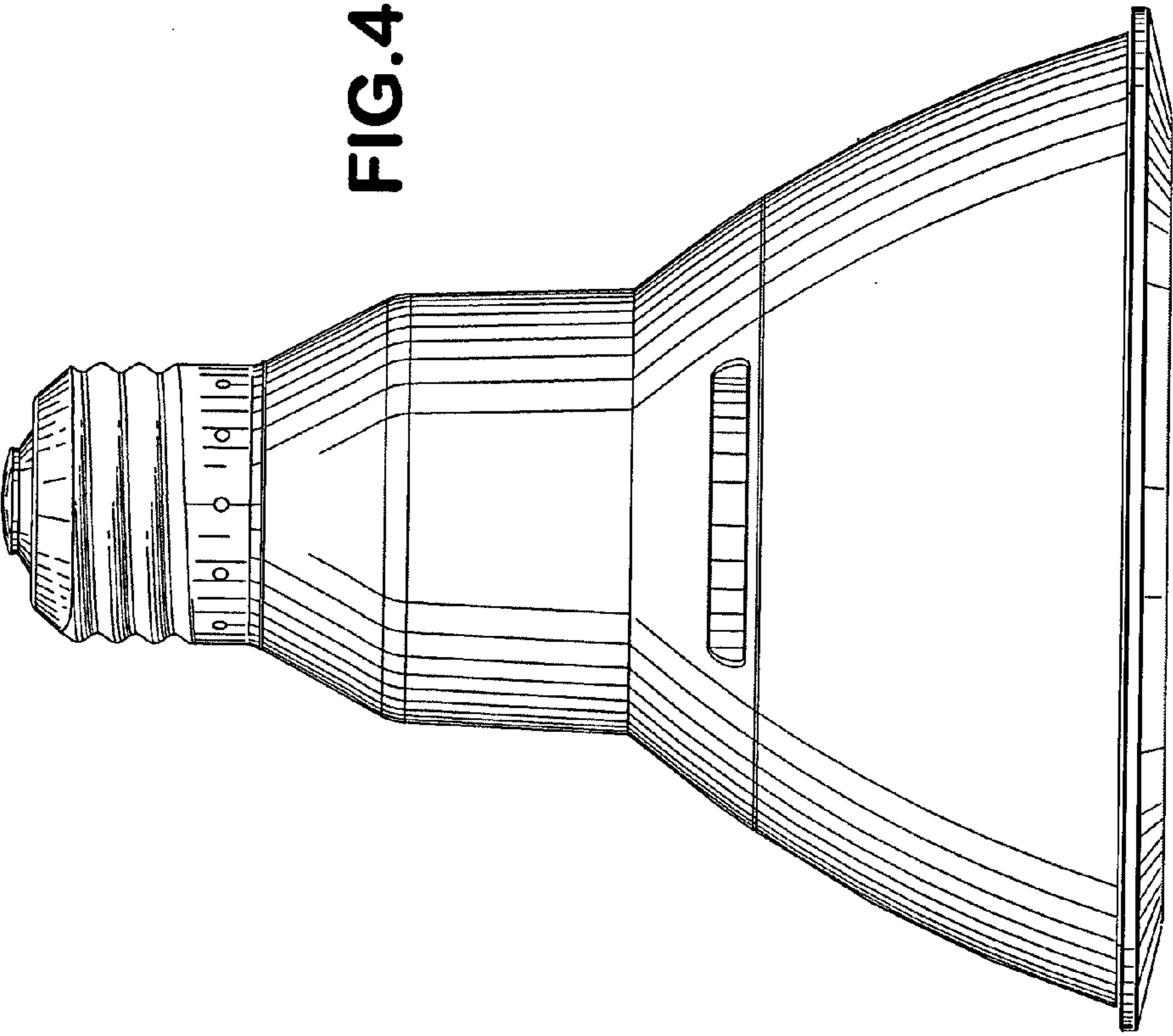


FIG. 4

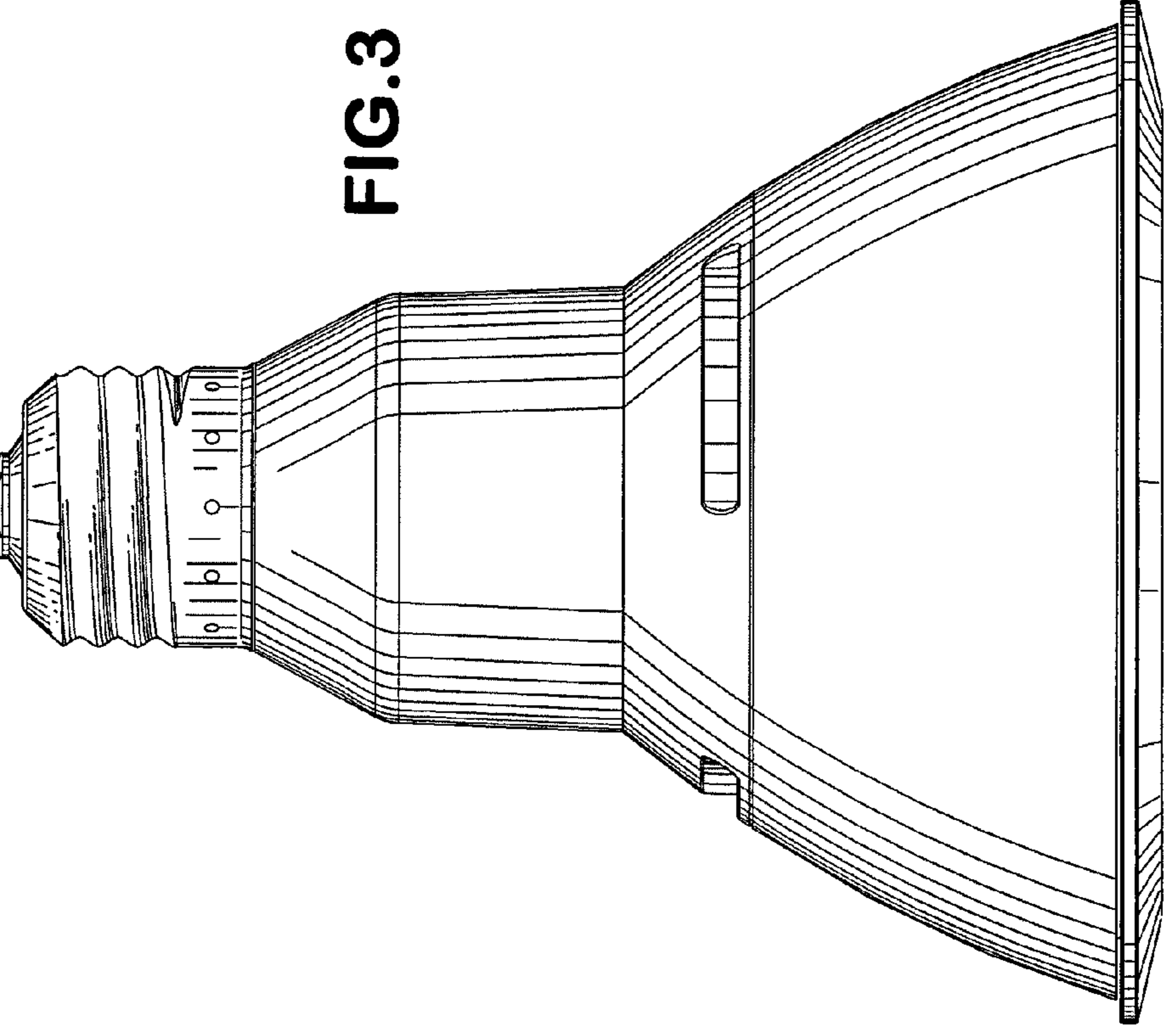


FIG. 3

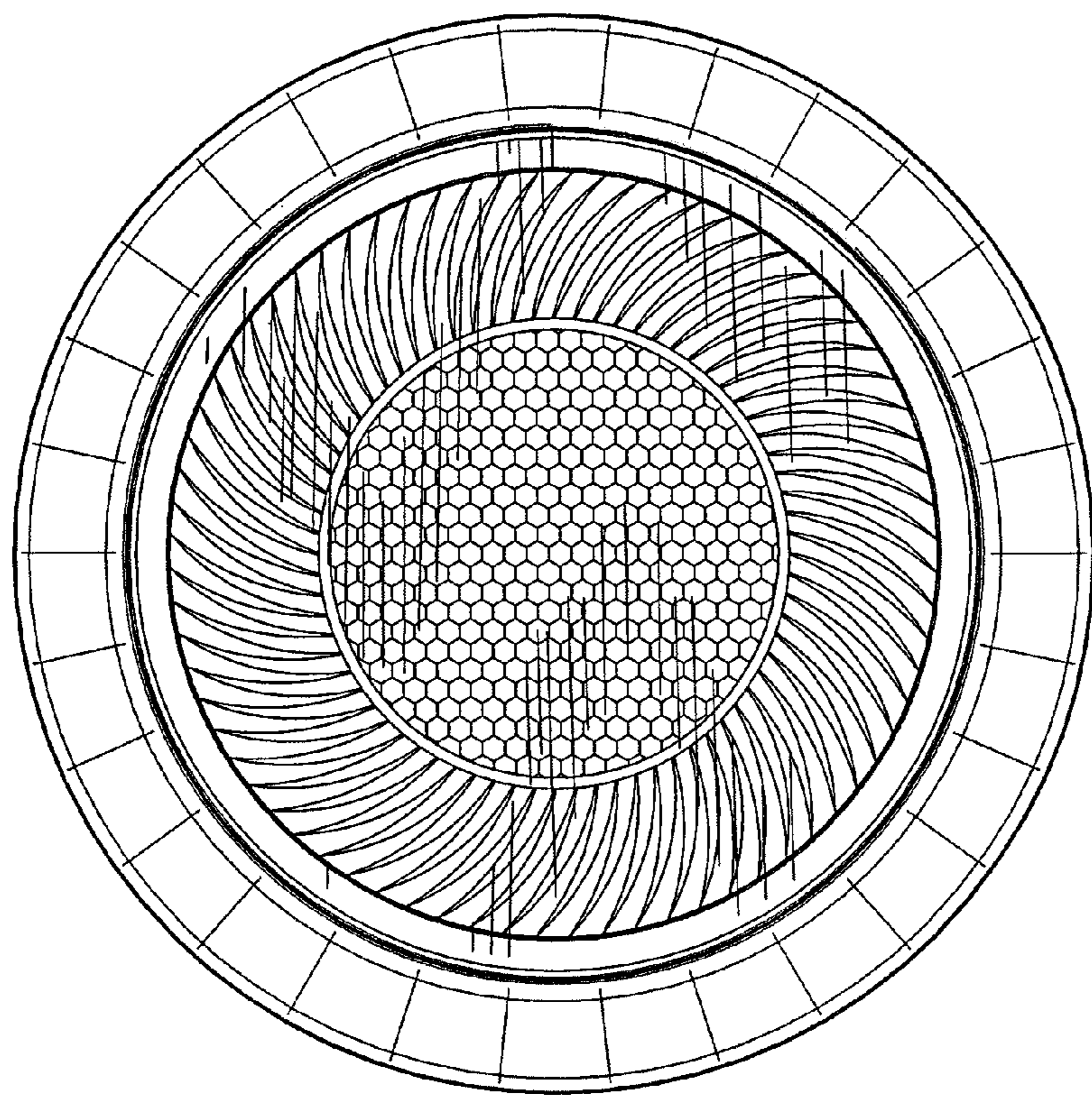


FIG. 6

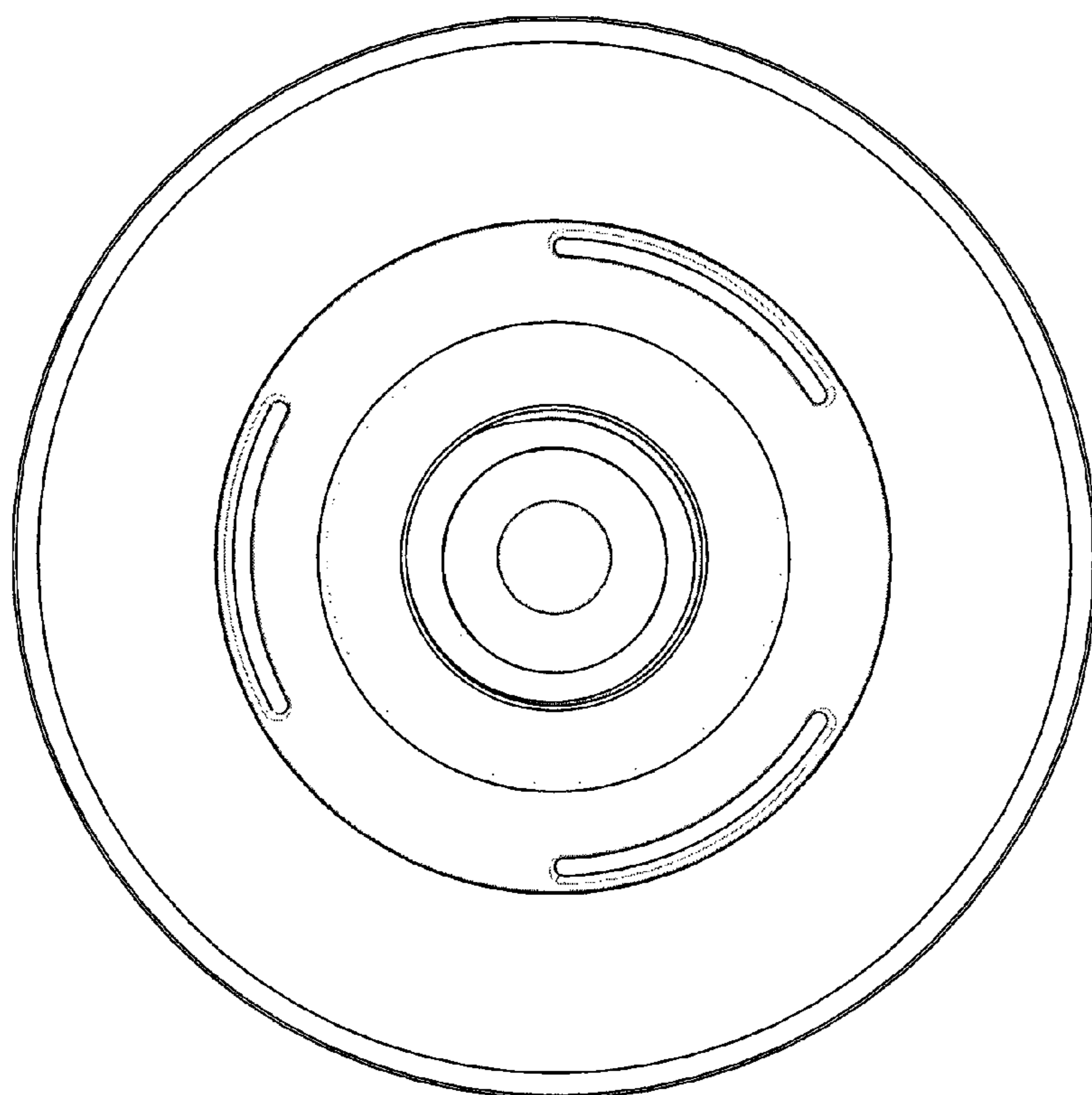


FIG. 5

FIG. 7

