



US00D733334S

(12) **United States Design Patent**
Huang et al.

(10) **Patent No.:** **US D733,334 S**
(45) **Date of Patent:** **** Jun. 30, 2015**

- (54) **LED LAMP**
- (71) Applicants: **Tsun-Yu Huang**, Changhua County (TW); **Cheng-Yi Huang**, Changhua County (TW)
- (72) Inventors: **Tsun-Yu Huang**, Changhua County (TW); **Cheng-Yi Huang**, Changhua County (TW)
- (**) Term: **14 Years**
- (21) Appl. No.: **29/462,302**
- (22) Filed: **Aug. 1, 2013**

6,478,440	B1	11/2002	Jaworski et al.
D543,288	S *	5/2007	Bembridge D26/2
D544,109	S *	6/2007	Tsuruha et al. D26/2
D558,904	S *	1/2008	Tsuruha et al. D26/2
D579,130	S *	10/2008	Hernandez et al. D26/2
7,484,860	B2	2/2009	Demarest et al.
D600,368	S *	9/2009	Bertram et al. D26/2
7,611,253	B2	11/2009	Chien
D610,272	S *	2/2010	Guo et al. D26/2
D646,808	S *	10/2011	Shi D26/2
2010/0260646	A1	10/2010	Jorgensen
2011/0033175	A1	2/2011	Kasai et al.
2011/0110072	A1	5/2011	Hsiao
2011/0110118	A1	5/2011	Hsiao

* cited by examiner

Primary Examiner — Marcus Jackson
(74) *Attorney, Agent, or Firm* — Muncy, Geissler, Olds & Lowe, P.C.

Related U.S. Application Data

- (63) Continuation-in-part of application No. 13/281,268, filed on Oct. 25, 2011, now abandoned.
- (51) **LOC (10) Cl.** **26-04**
- (52) **U.S. Cl.**
USPC **D26/2**
- (58) **Field of Classification Search**
USPC D26/1-4; 313/313, 315, 316, 317, 318, 313/493; 315/52, 53, 56, 57, 58
See application file for complete search history.

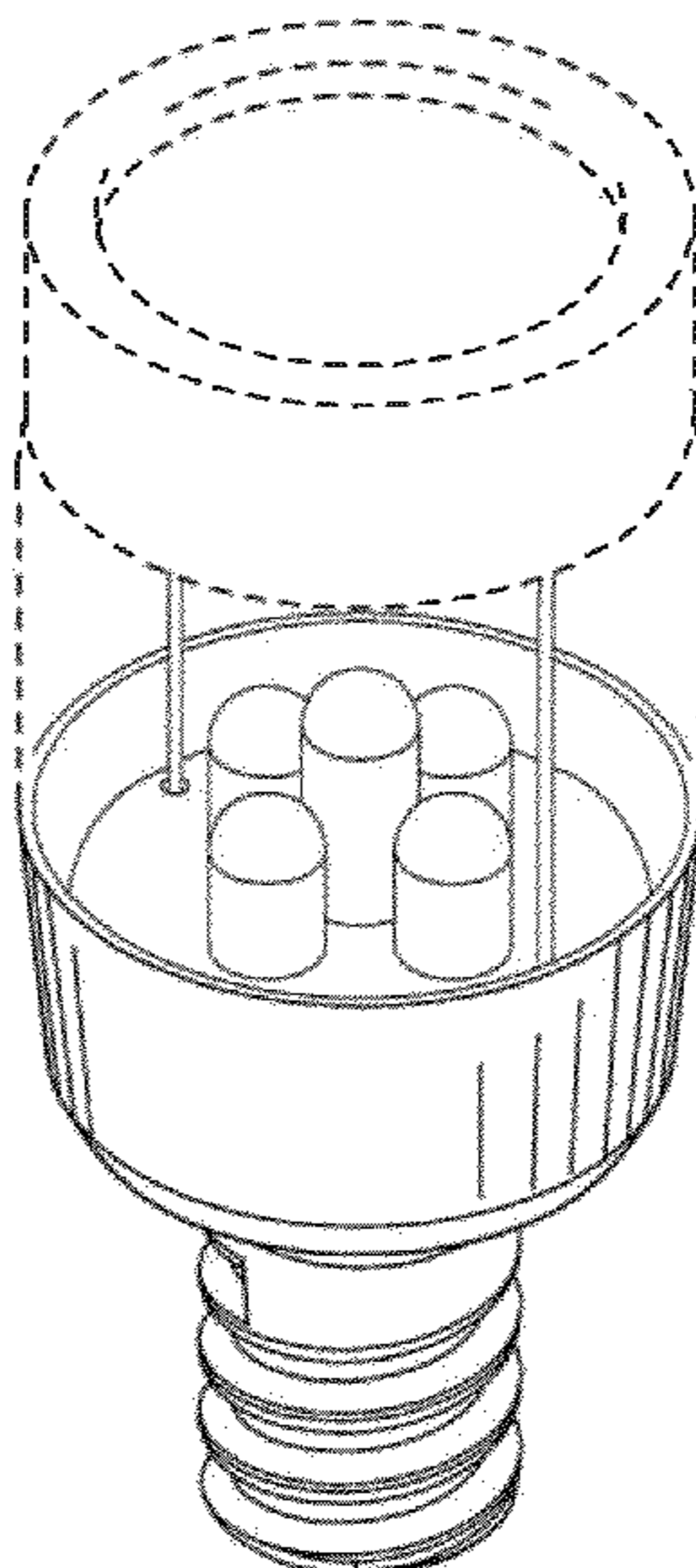
(57) **CLAIM**
We claim the ornamental design for a LED lamp, as shown and described.

DESCRIPTION

FIG. 1 is a perspective view of a LED lamp showing our new design;
FIG. 2 is a front view thereof;
FIG. 3 is a rear view thereof;
FIG. 4 is a left view thereof;
FIG. 5 is a right view thereof;
FIG. 6 is a bottom plan view thereof;
FIG. 7 is a perspective view of the LED lamp in use; and,
FIG. 8 is a perspective view of the LED lamp in another use.
The portions shown in broken lines are for illustrative purposes only and form no part of the claimed design.

- (56) **References Cited**
U.S. PATENT DOCUMENTS
- | | | | |
|-----------|---|---------|-----------------|
| 2,611,068 | A | 9/1952 | Wellens |
| 2,662,459 | A | 12/1953 | Bilofsky et al. |
| 2,707,733 | A | 5/1955 | Steinharter |
| 2,714,649 | A | 8/1955 | Critzer |
| 2,757,278 | A | 7/1956 | Cloud |
| 3,780,260 | A | 12/1973 | Elsner |

1 Claim, 6 Drawing Sheets



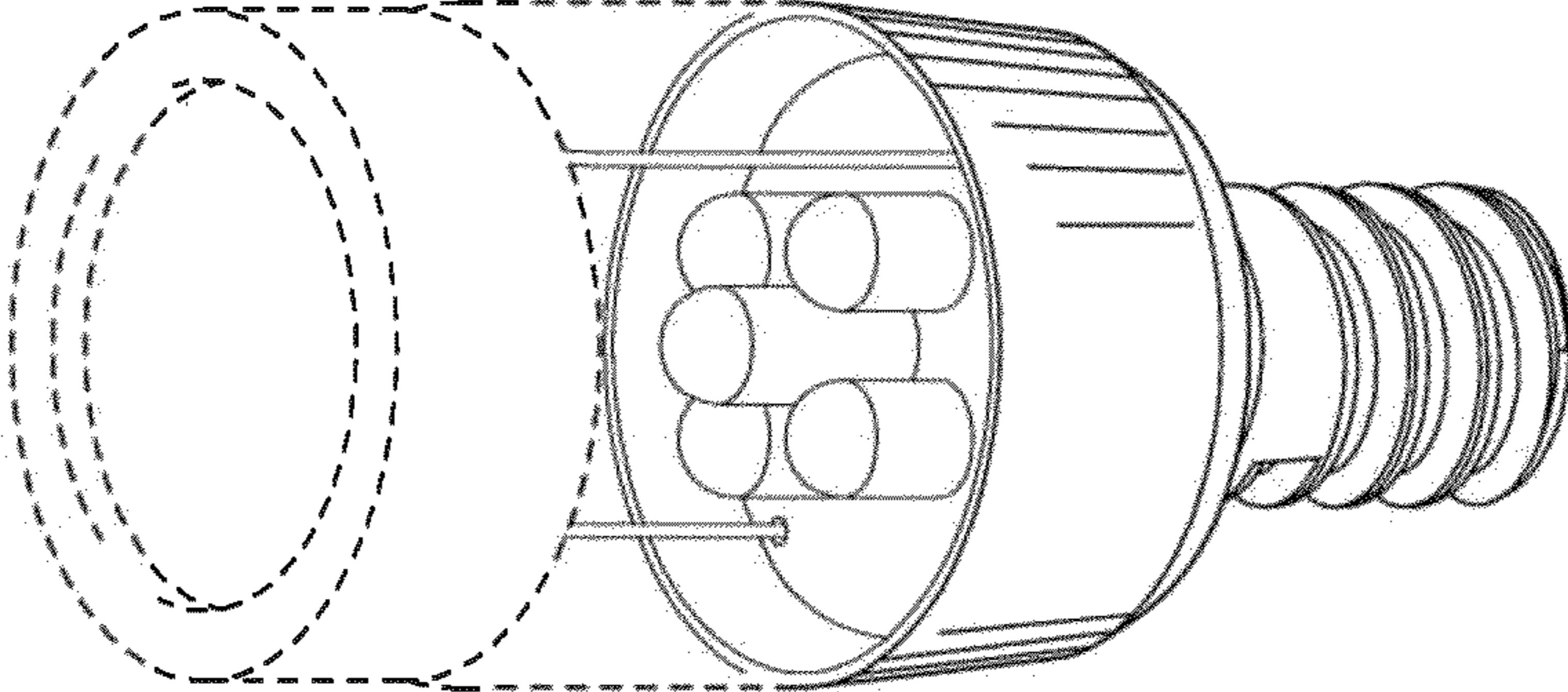


FIG. 1

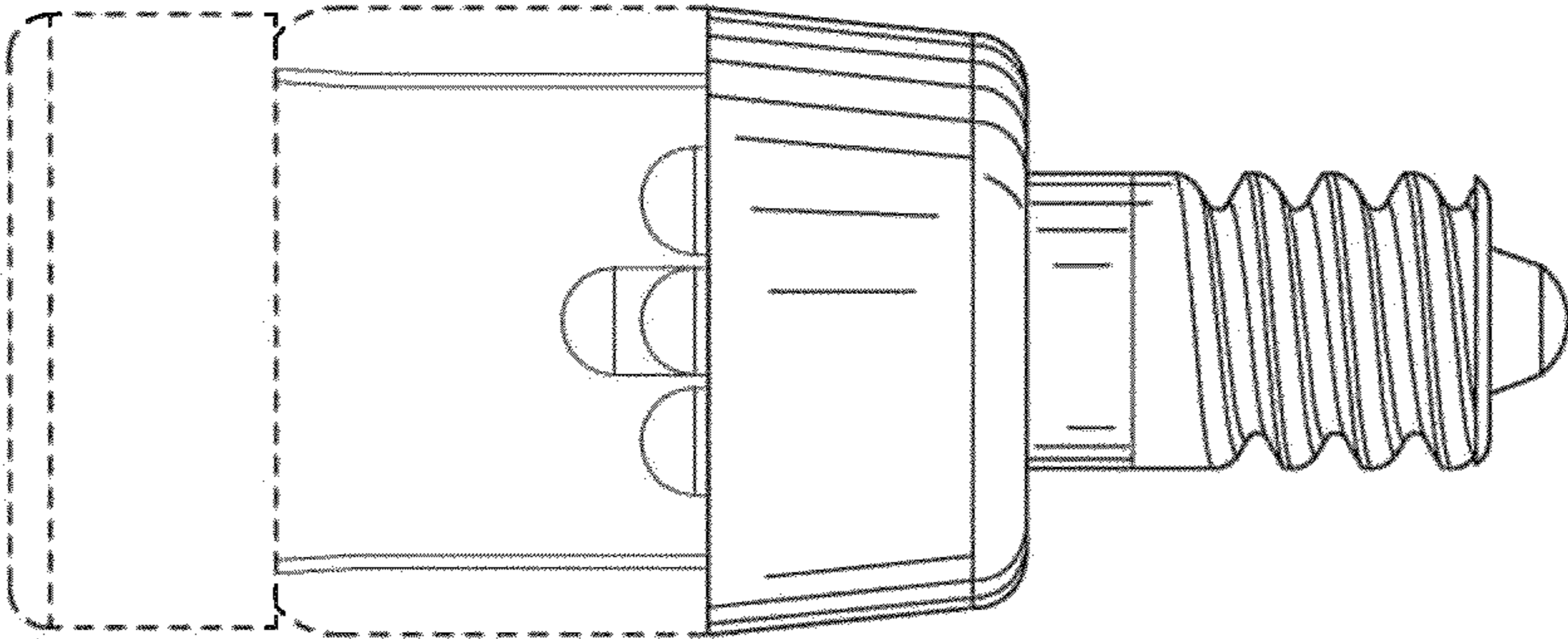


FIG. 3

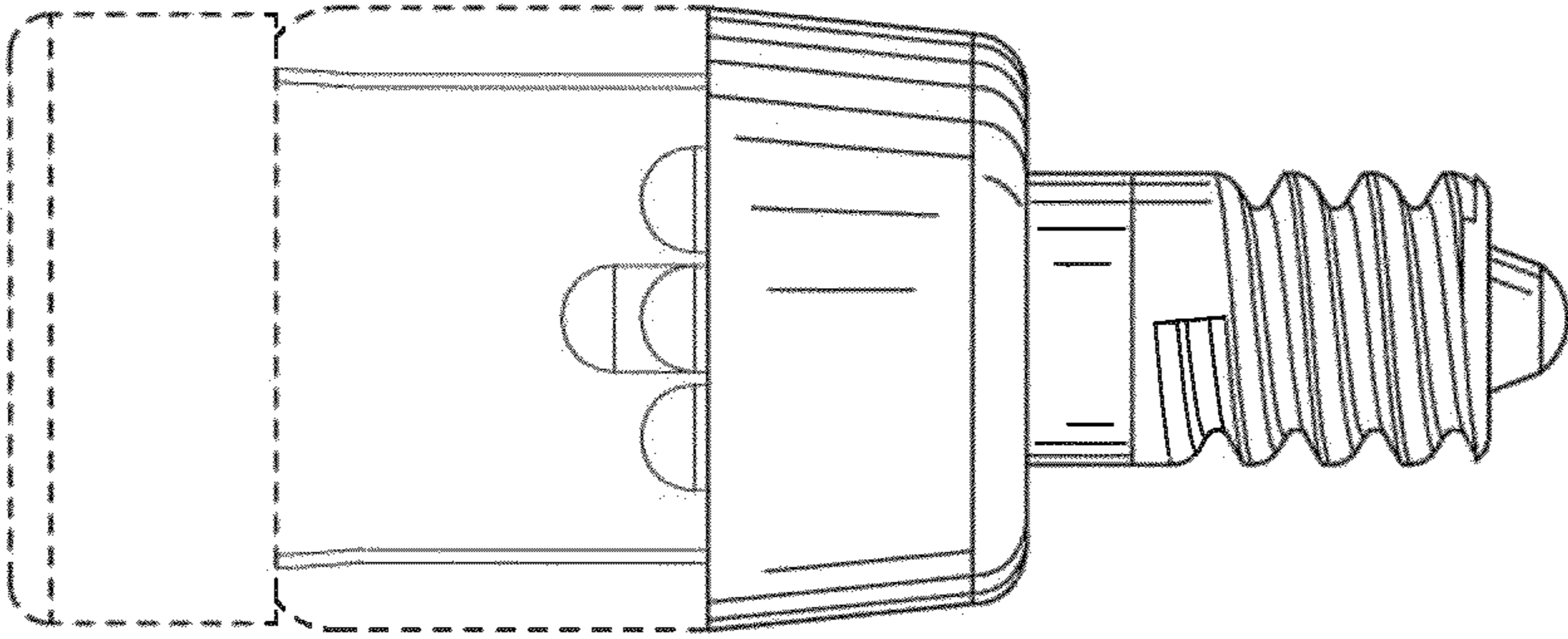


FIG. 2

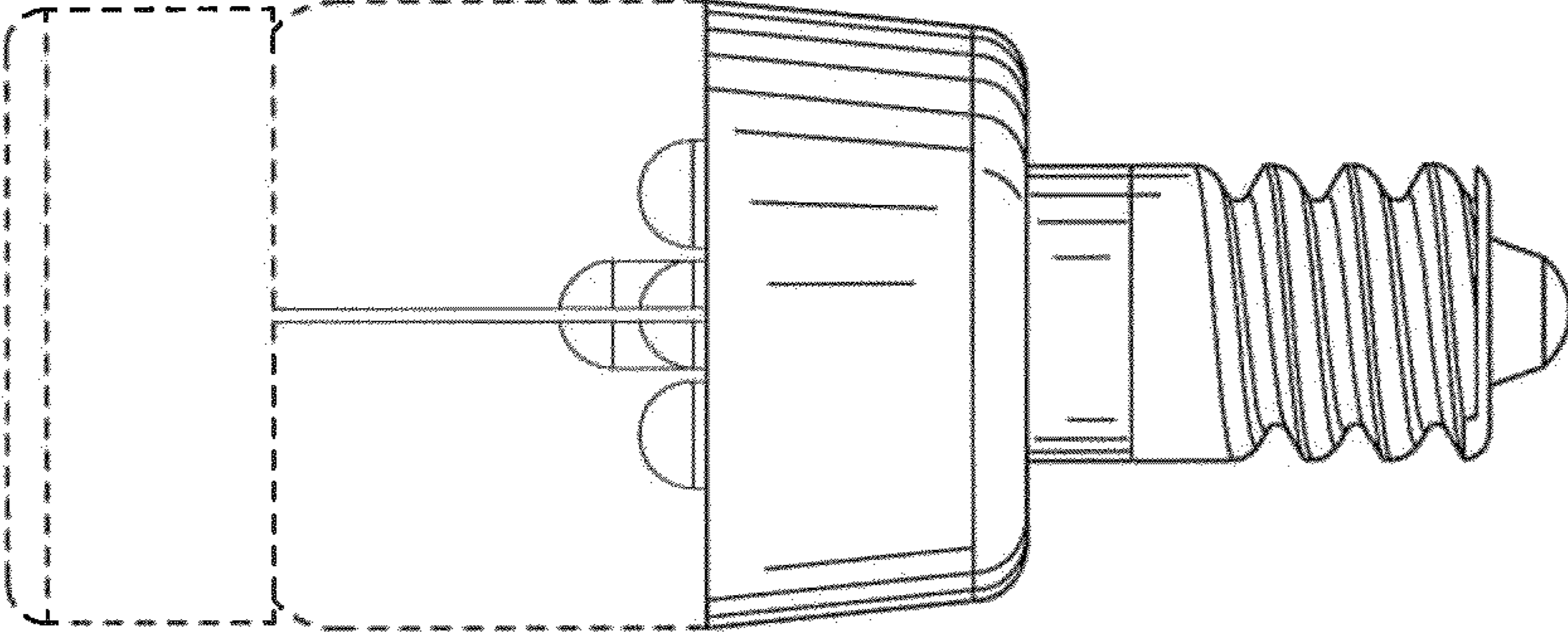


FIG. 5

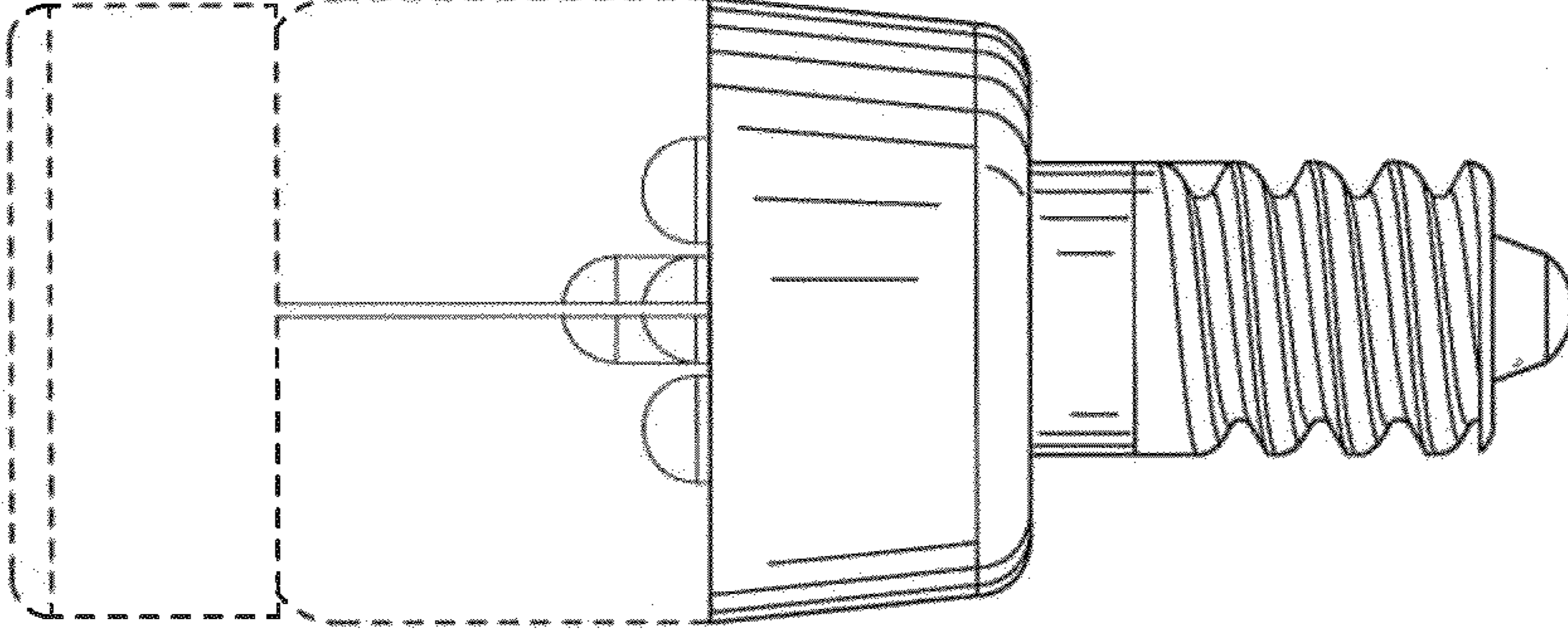


FIG. 4

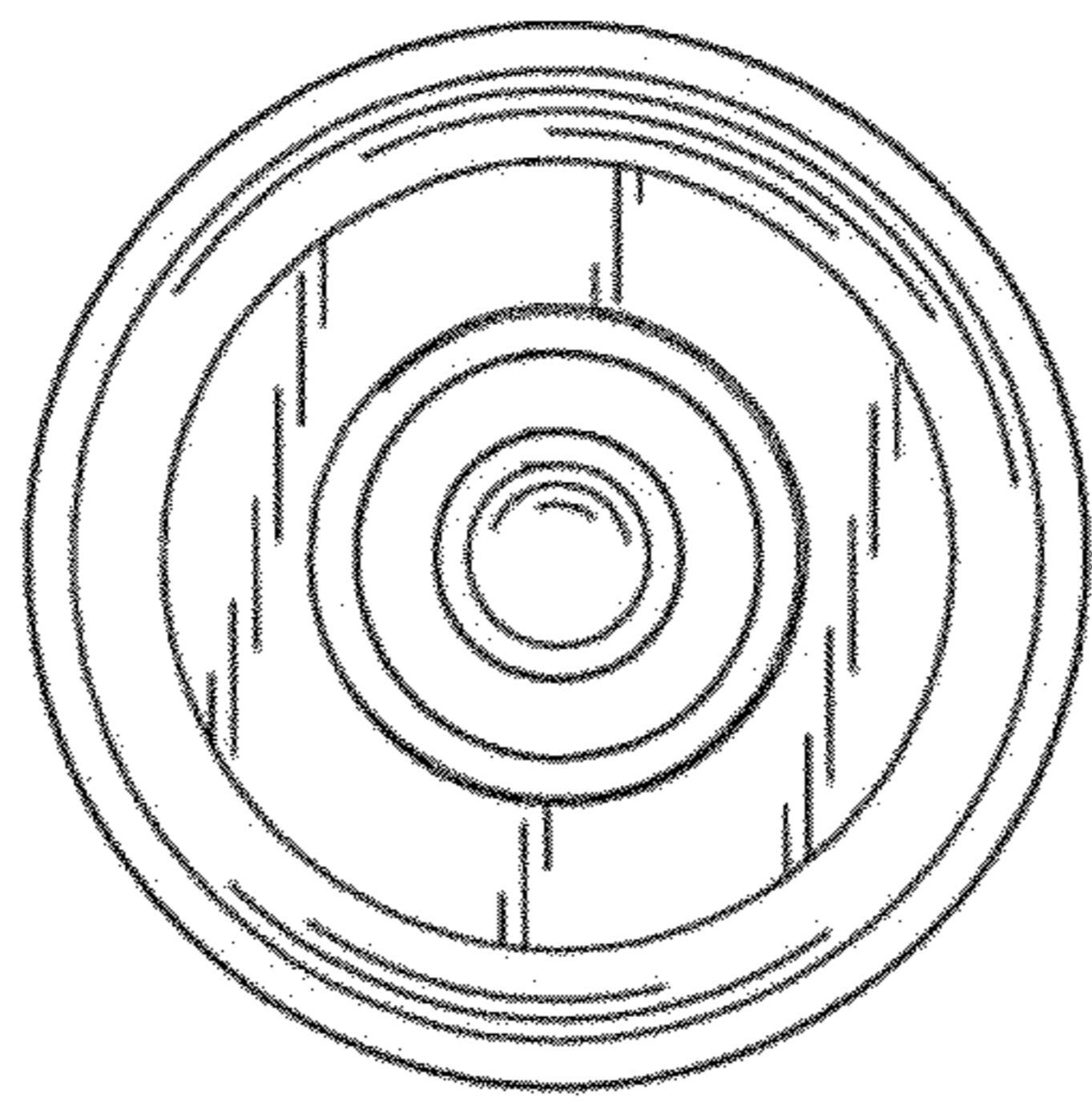


FIG. 6

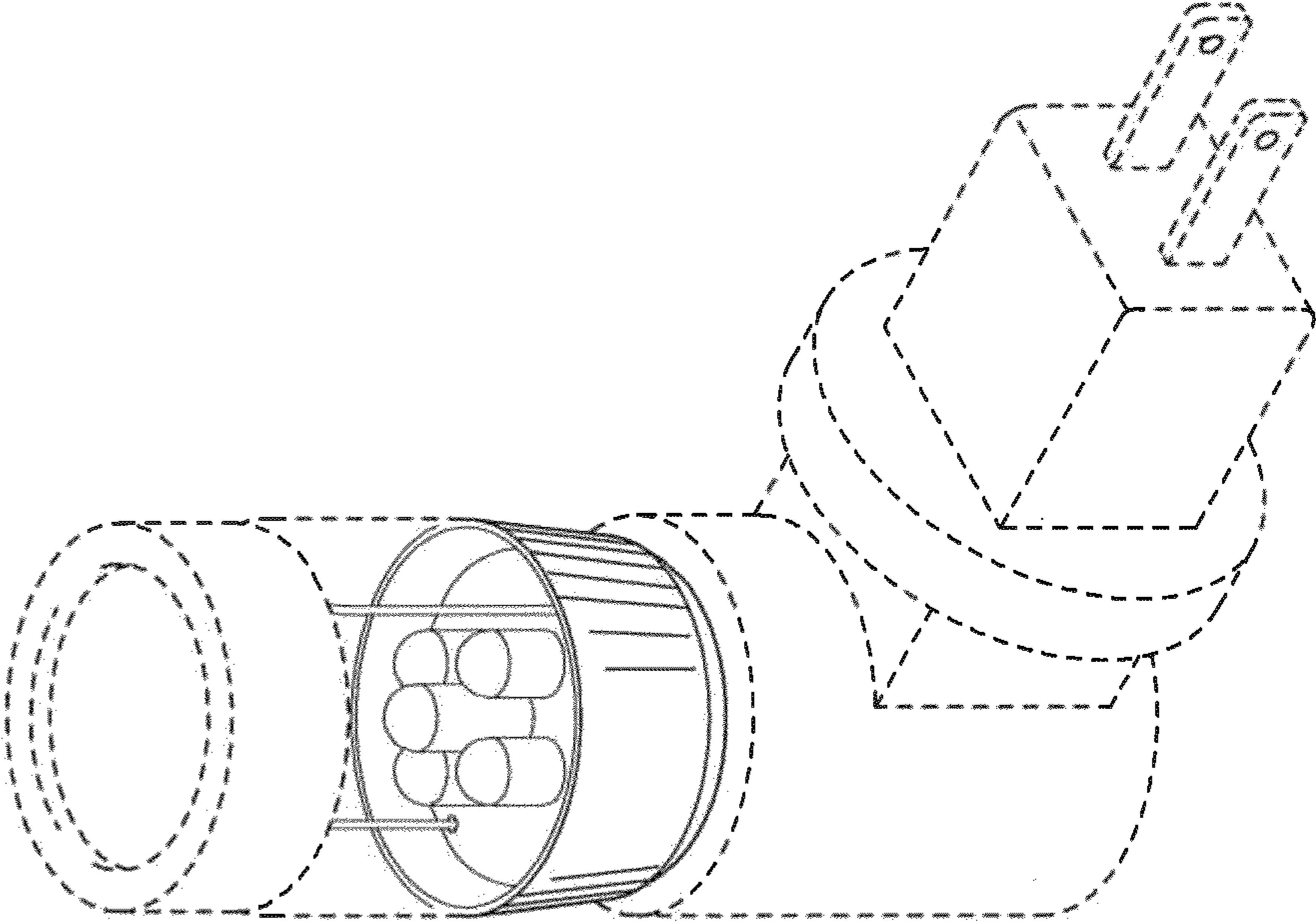


FIG. 7

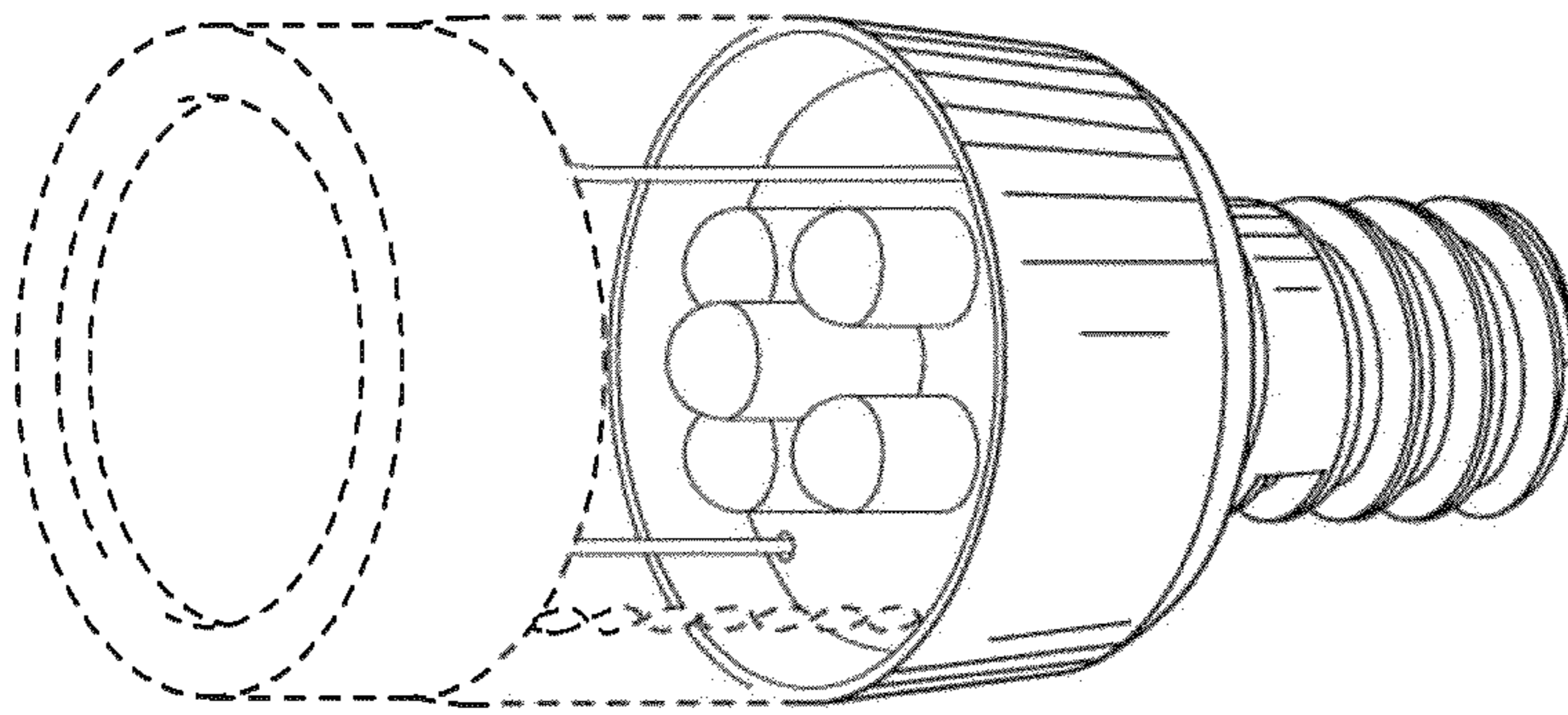


FIG. 8