



US00D73333S

(12) **United States Design Patent**
Lee

(10) **Patent No.:** **US D733,333 S**
(45) **Date of Patent:** **** Jun. 30, 2015**

(54) **LED BULB**

(71) Applicant: **ICEPIPE Corporation**, Seoul (KR)

(72) Inventor: **Sang-Cheol Lee**, Gyeonggi-do (KR)

(73) Assignee: **Icepipe Corporation** (KR)

(**) Term: **14 Years**

(21) Appl. No.: **29/461,185**

(22) Filed: **Jul. 19, 2013**

(30) **Foreign Application Priority Data**

Jan. 23, 2013 (KR) 30-2013-0003870

(51) **LOC (10) Cl.** **26-04**

(52) **U.S. Cl.**
USPC **D26/2**

(58) **Field of Classification Search**
USPC D26/1-4; 313/313, 315, 316, 317, 318,
313/493; 315/52, 53, 56, 57, 58

See application file for complete search history.

(56) **References Cited**

U.S. PATENT DOCUMENTS

D542,943 S *	5/2007	Wang	D26/2
D546,980 S *	7/2007	Lo	D26/2
D549,854 S *	8/2007	Takahashi	D26/2
D566,300 S *	4/2008	Lo	D26/2
D582,578 S *	12/2008	Tsai et al.	D26/2
D593,223 S *	5/2009	Komar	D26/2
D687,978 S *	8/2013	Jeon et al.	D26/2

* cited by examiner

Primary Examiner — Marcus Jackson

(74) *Attorney, Agent, or Firm* — Grossman Tucker Perreault & Pflieger, PLLC

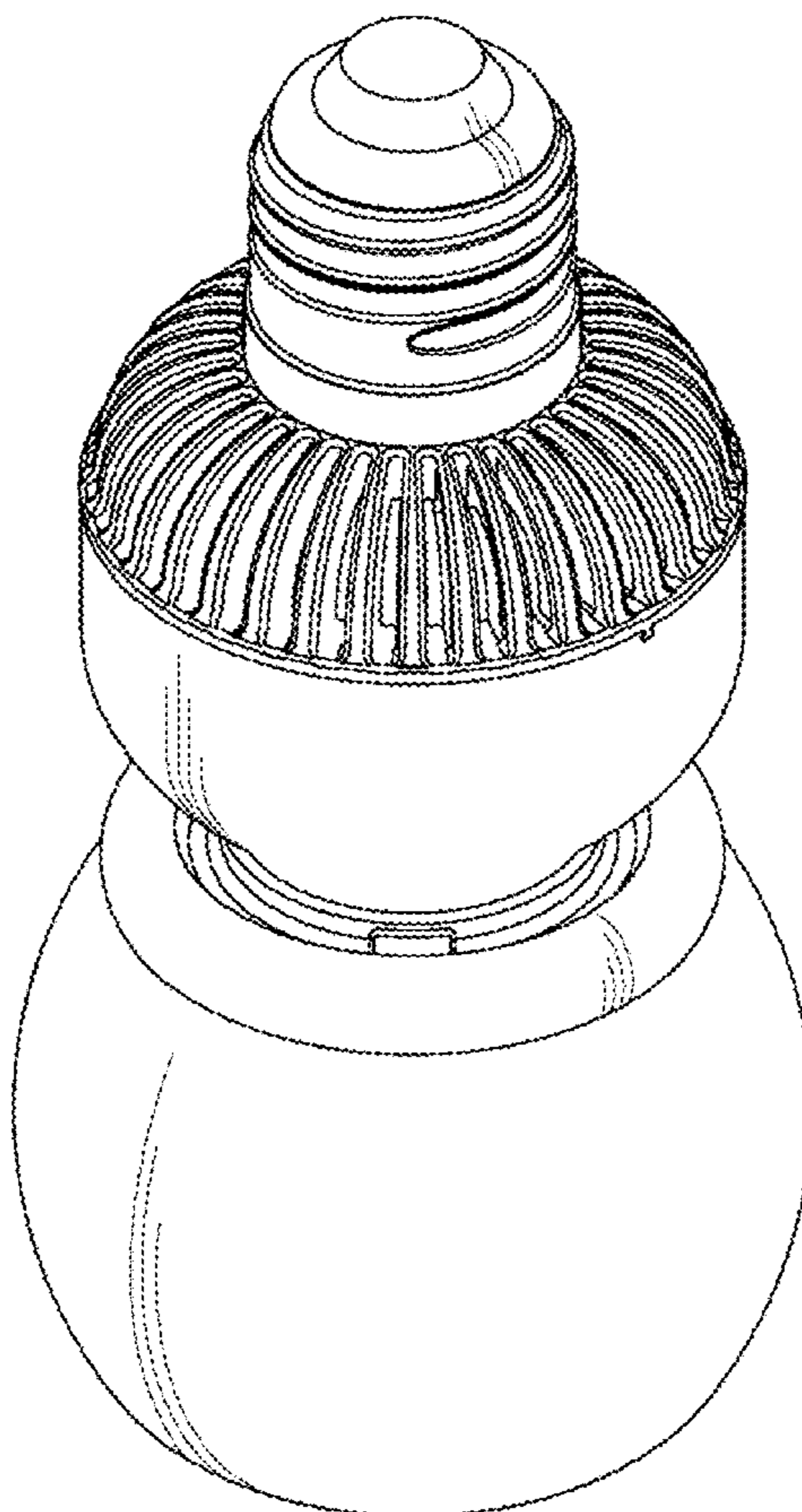
(57) **CLAIM**

The ornamental design for the LED bulb, as shown and described.

DESCRIPTION

FIG. 1 is a perspective view of a LED bulb.
FIG. 2 is a front view thereof.
FIG. 3 is a rear view thereof.
FIG. 4 is a left side view thereof.
FIG. 5 is a right side view thereof.
FIG. 6 is a top plan view thereof; and,
FIG. 7 is a bottom plan view thereof.

1 Claim, 5 Drawing Sheets



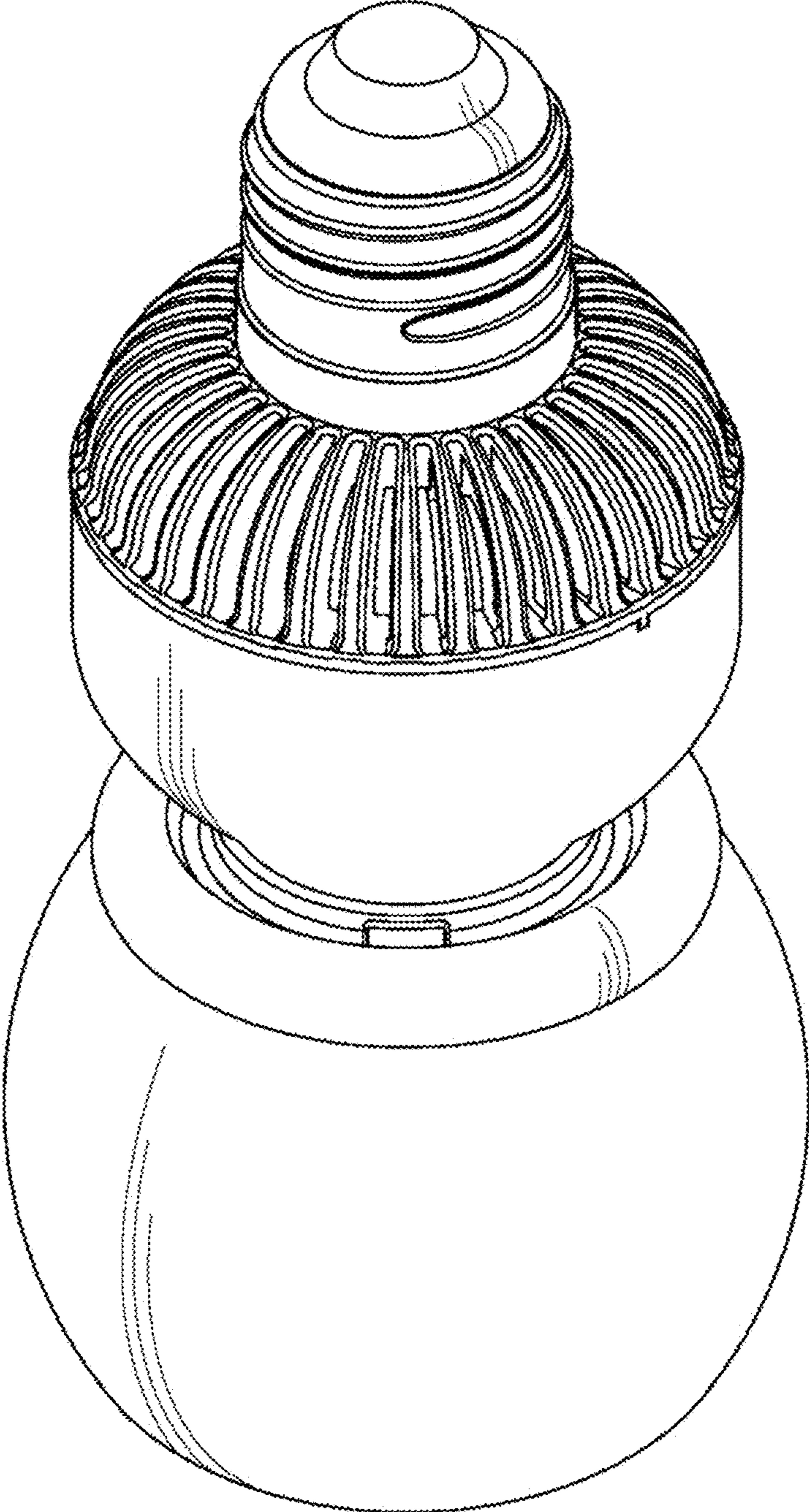


FIG. 1

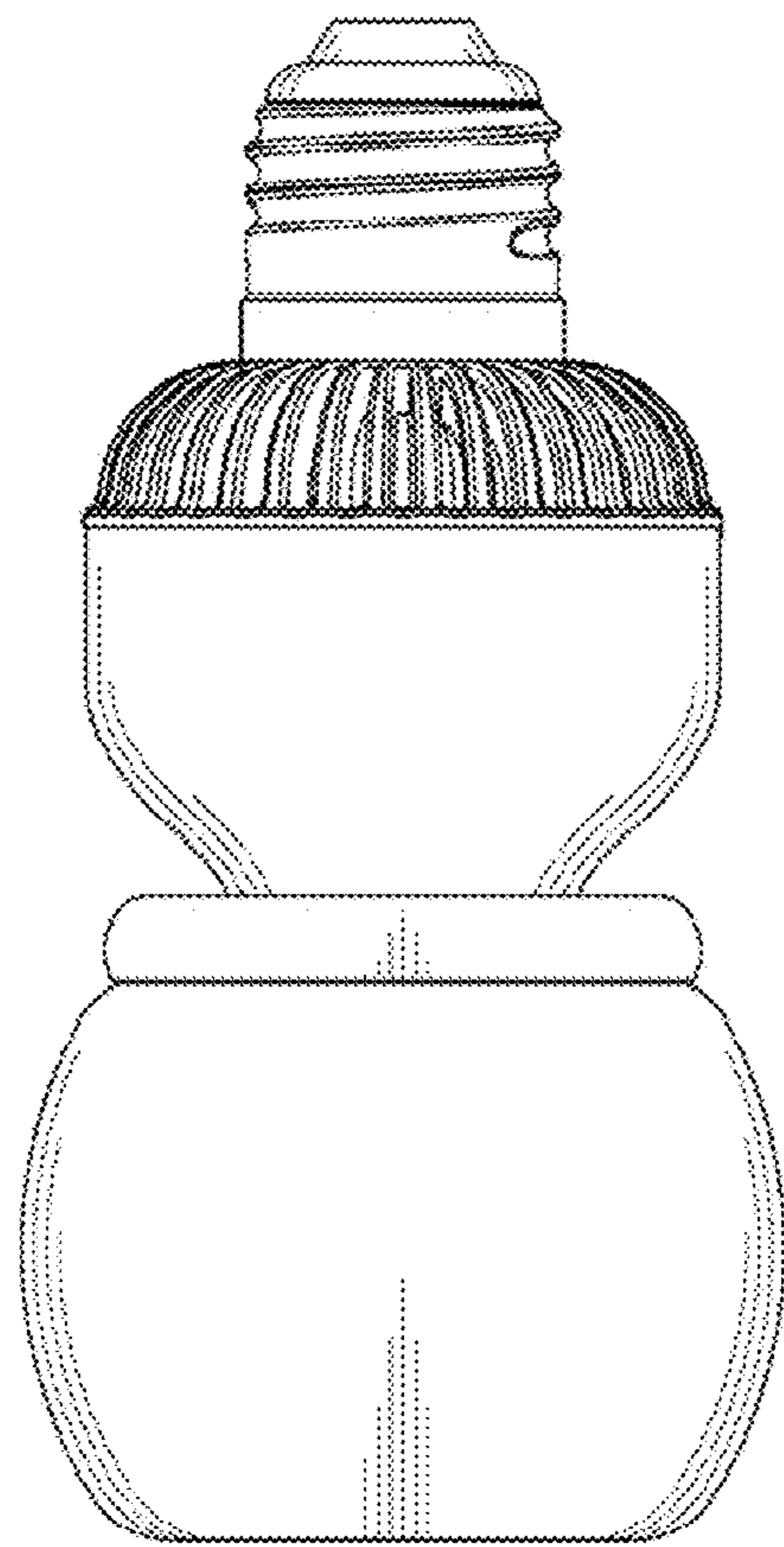


FIG. 2

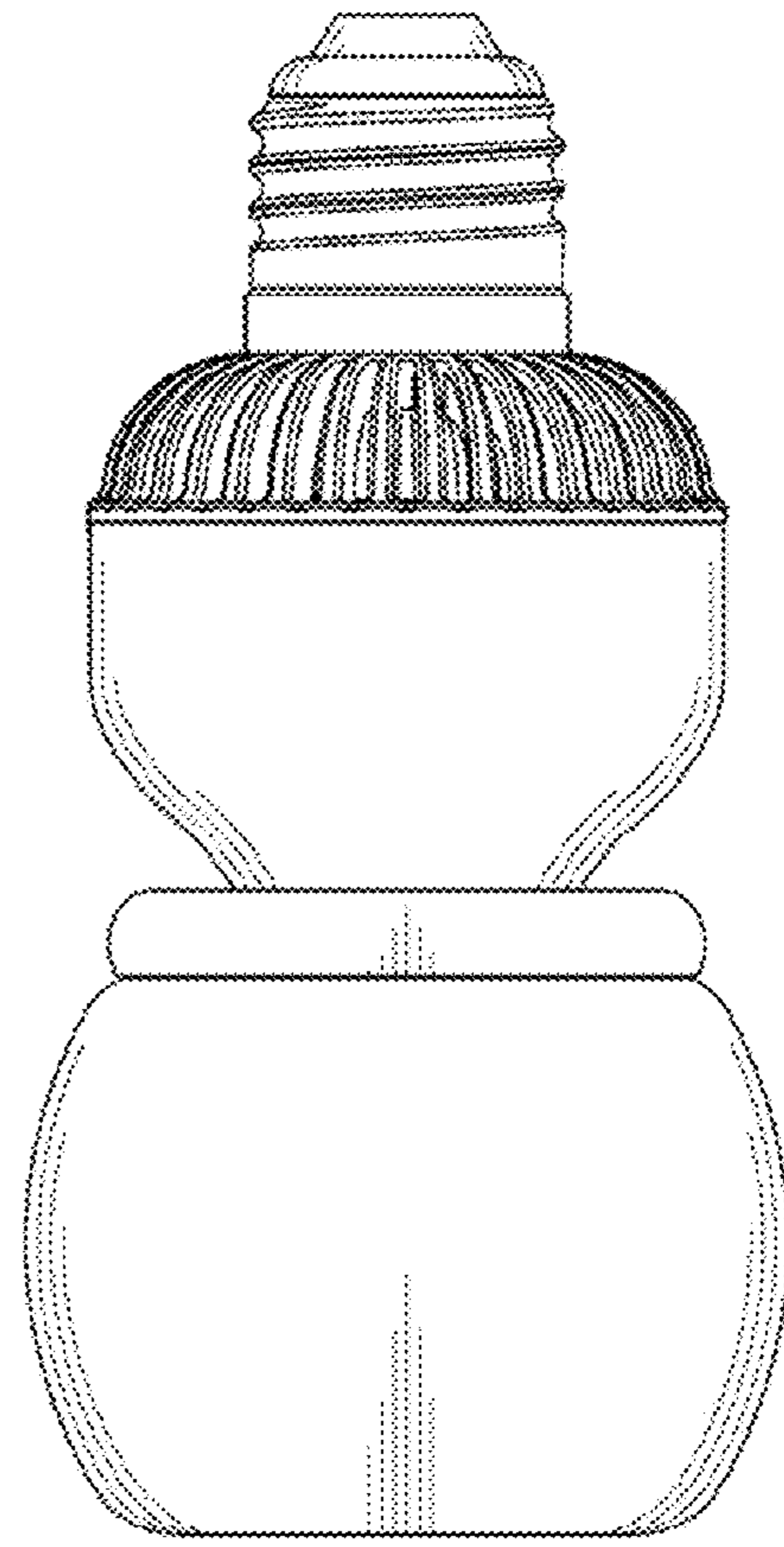


FIG. 3

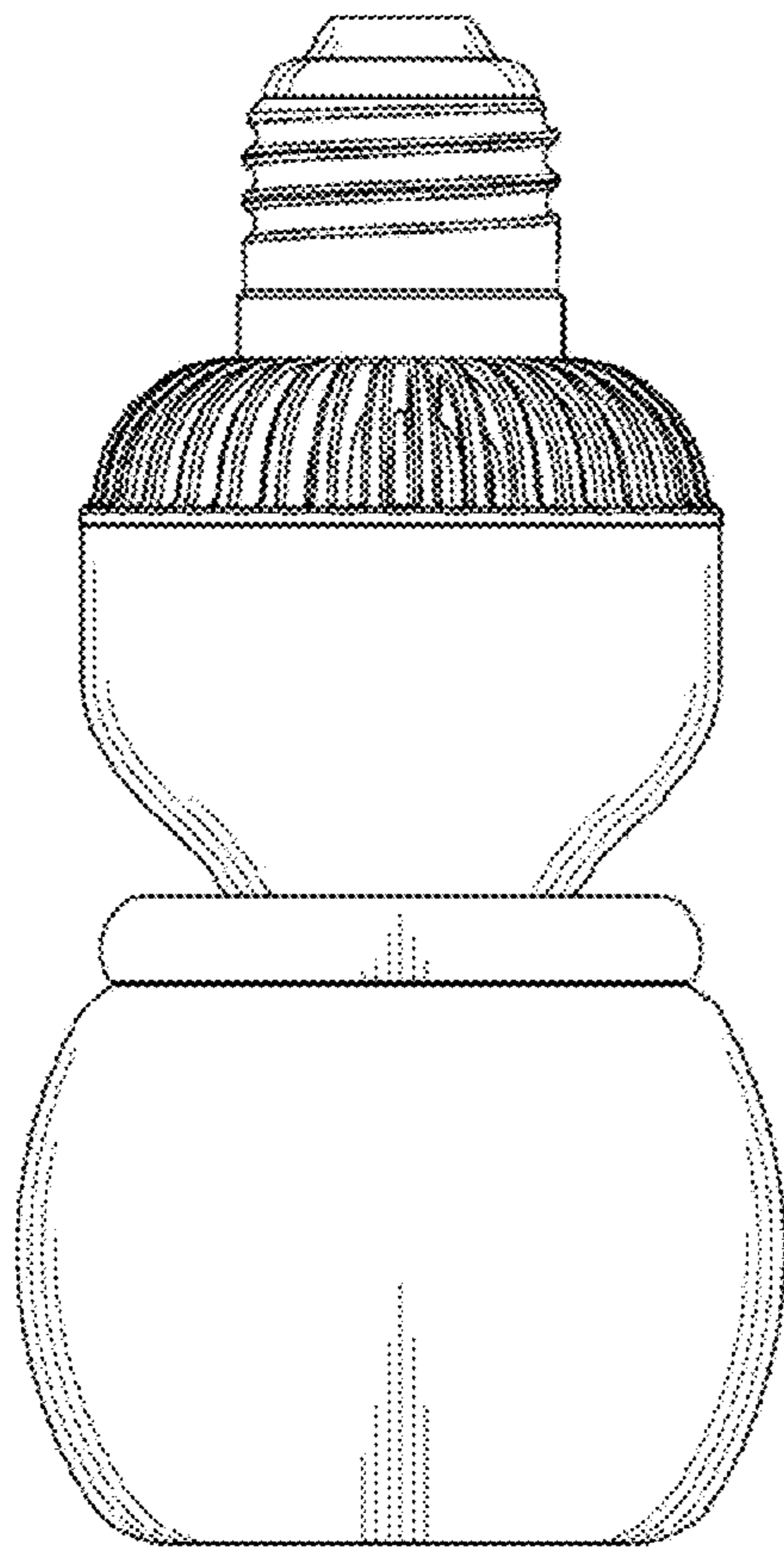


FIG. 4

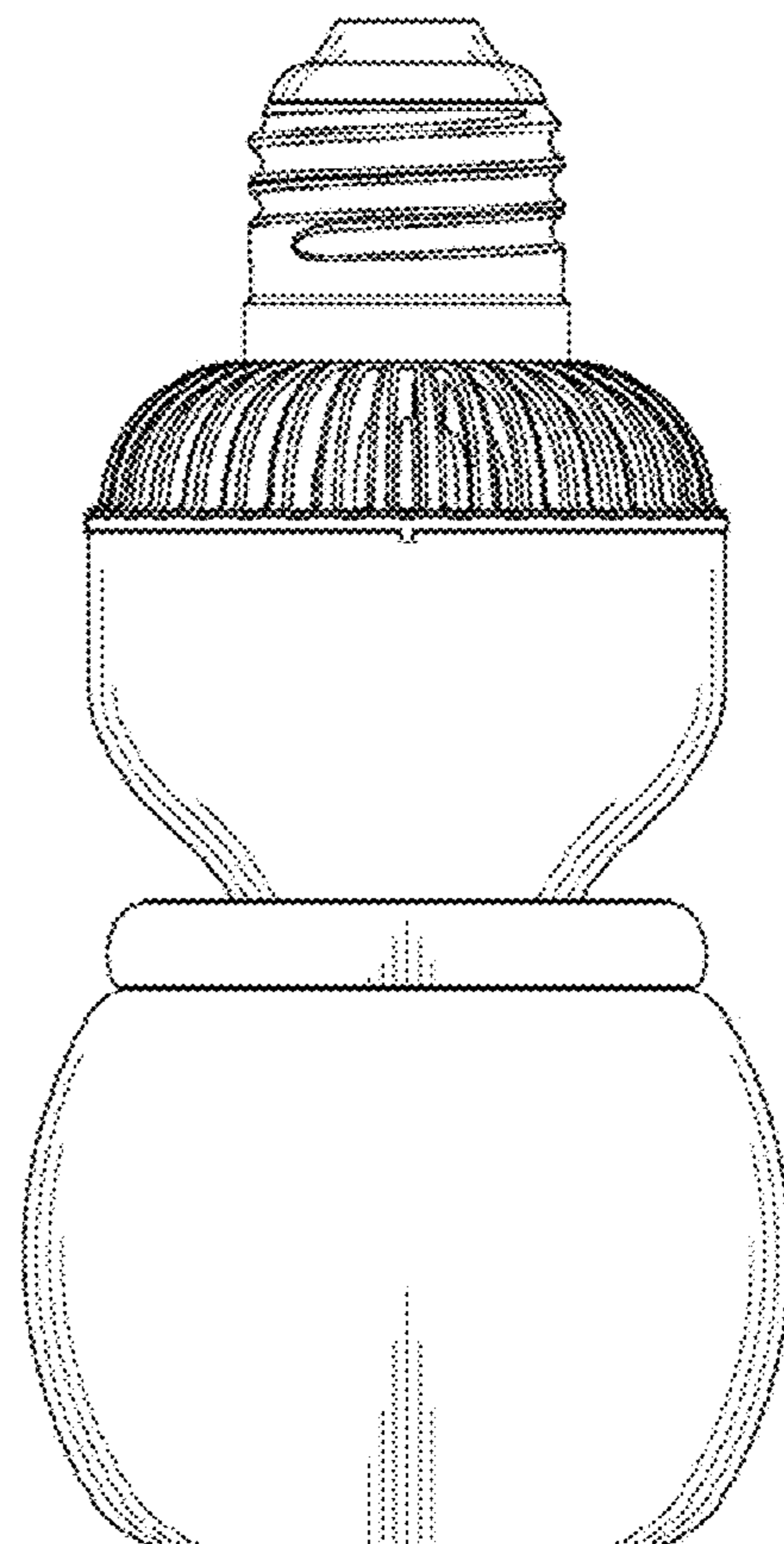


FIG. 5

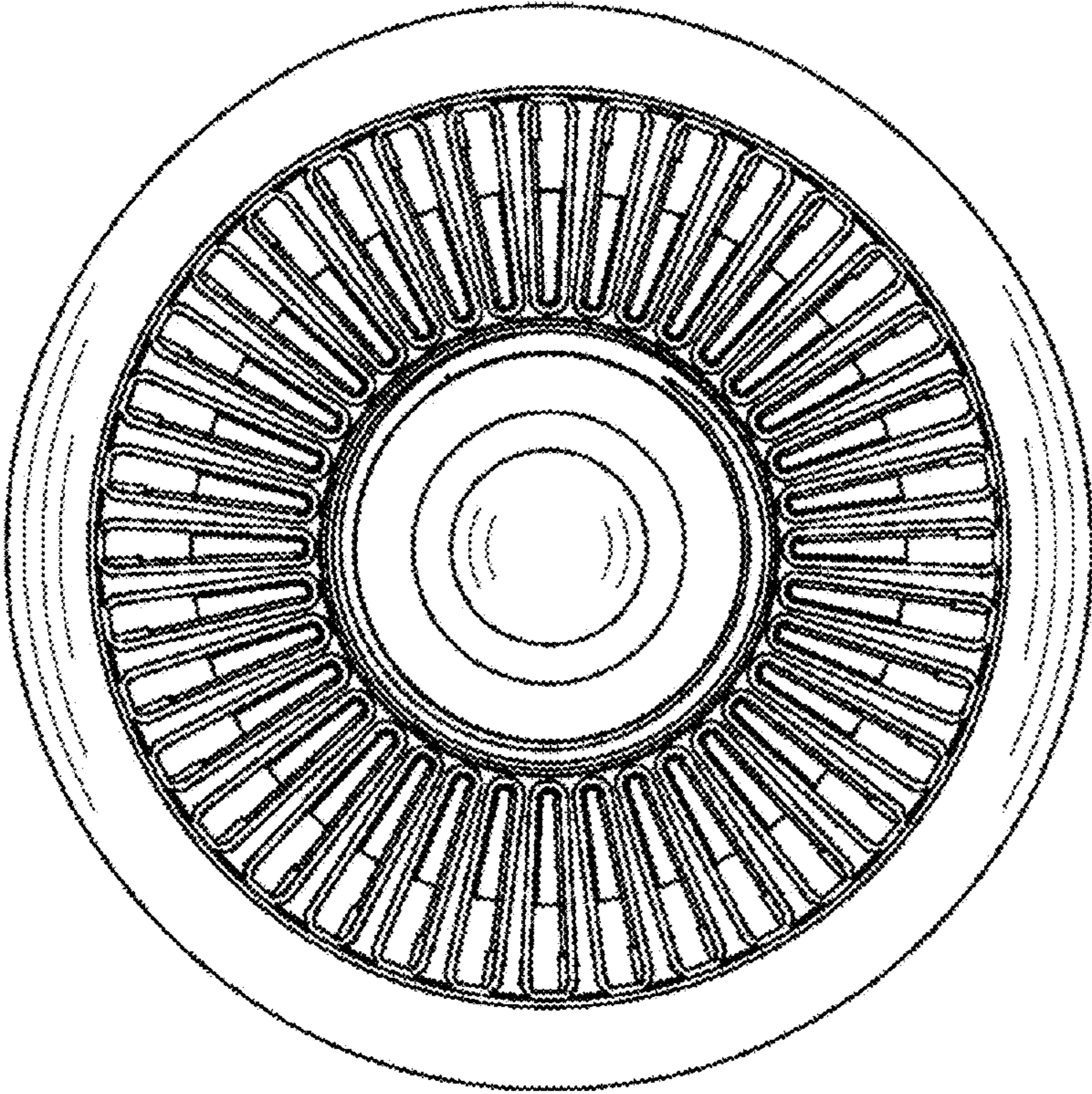


FIG. 6

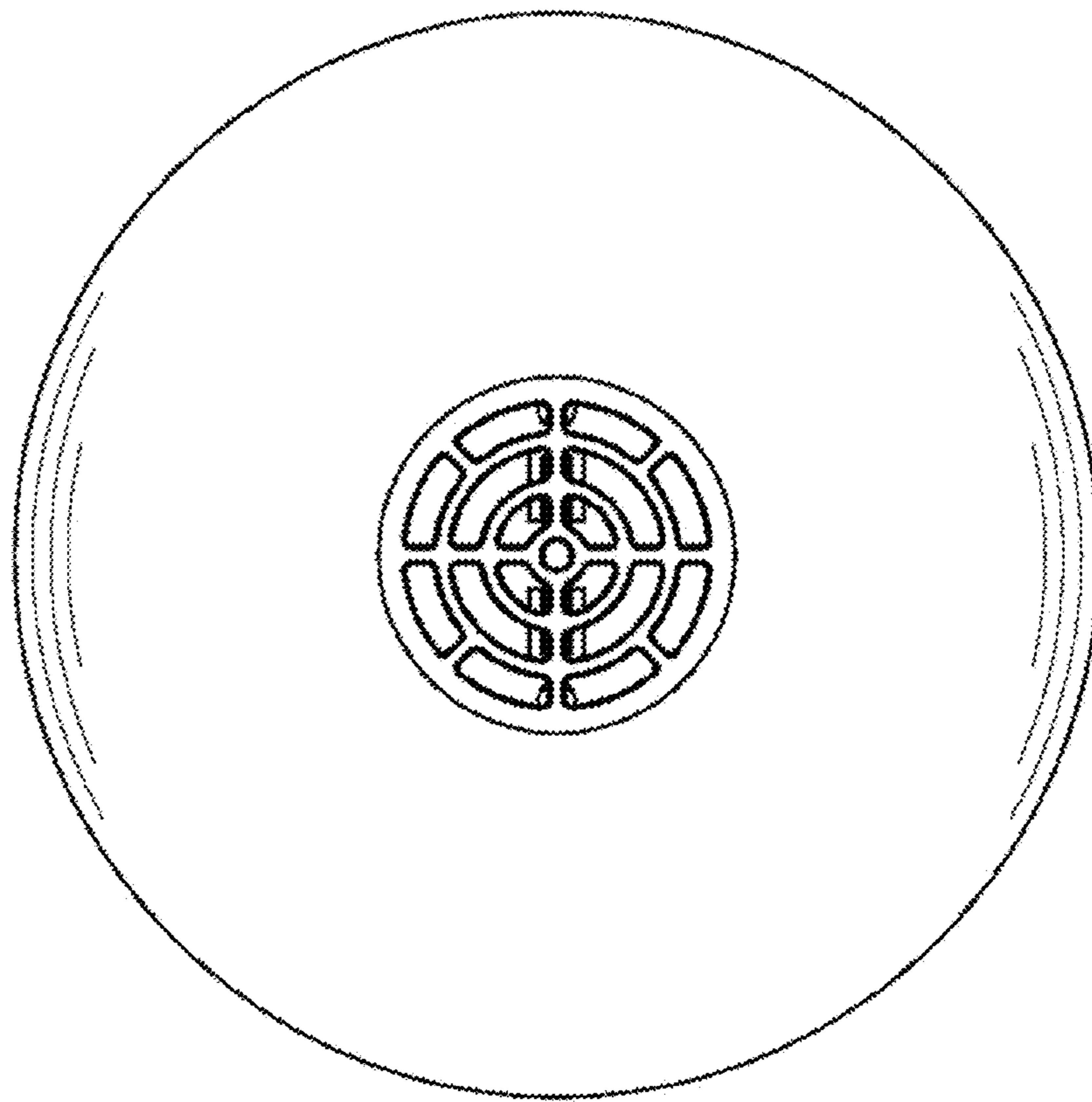


FIG. 7