



US00D73332S

(12) **United States Design Patent**  
**Lee**

(10) **Patent No.:** **US D733,332 S**  
(45) **Date of Patent:** **\*\* Jun. 30, 2015**

(54) **LED BULB**

(56) **References Cited**

(71) Applicant: **ICEPIPE Corporation**, Seoul (KR)

U.S. PATENT DOCUMENTS

(72) Inventor: **Sang-Cheol Lee**, Gyeonggi-do (KR)

D625,030	S	*	10/2010	Yamamoto et al.	.....	D26/2
D627,492	S	*	11/2010	Yamamoto et al.	.....	D26/2
D628,317	S	*	11/2010	Yamamoto et al.	.....	D26/2
D628,722	S	*	12/2010	Yamamoto et al.	.....	D26/2
D631,573	S	*	1/2011	Yamamoto et al.	.....	D26/2
D685,505	S	*	7/2013	Yamamoto et al.	.....	D26/2

(73) Assignee: **Icepipe Corporation**, Seoul (KR)

(\*\*) Term: **14 Years**

\* cited by examiner

(21) Appl. No.: **29/461,182**

*Primary Examiner* — Marcus Jackson

(22) Filed: **Jul. 19, 2013**

(74) *Attorney, Agent, or Firm* — Grossman Tucker Perreault & Pflieger, PLLC

(30) **Foreign Application Priority Data**

(57) **CLAIM**

The ornamental design for the LED bulb, as shown and described.

Jan. 21, 2013 (KR) ..... 30-2013-0003444

**DESCRIPTION**

(51) **LOC (10) Cl.** ..... **26-04**

FIG. 1 is a perspective view of a LED bulb.

(52) **U.S. Cl.**

FIG. 2 is a left side view thereof.

USPC ..... **D26/2**

FIG. 3 is a right side view thereof.

(58) **Field of Classification Search**

FIG. 4 is a front view thereof.

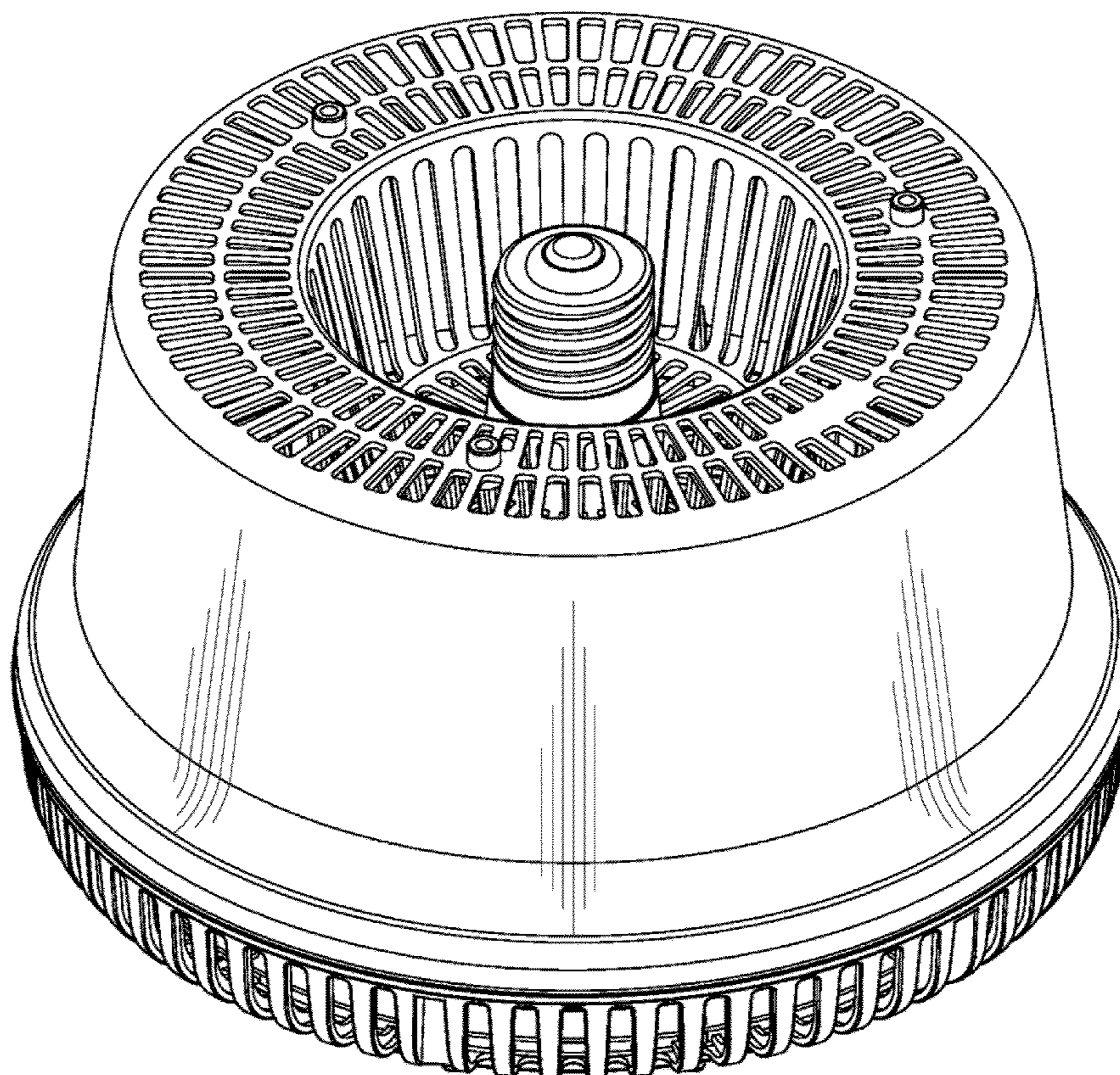
USPC ..... D26/1-4; 313/313, 315, 316, 317, 318,  
313/493; 315/52, 53, 56, 57, 58

FIG. 5 is a rear view thereof.

See application file for complete search history.

FIG. 6 is a top plan view thereof; and,  
FIG. 7 is a bottom plan view thereof.

**1 Claim, 5 Drawing Sheets**



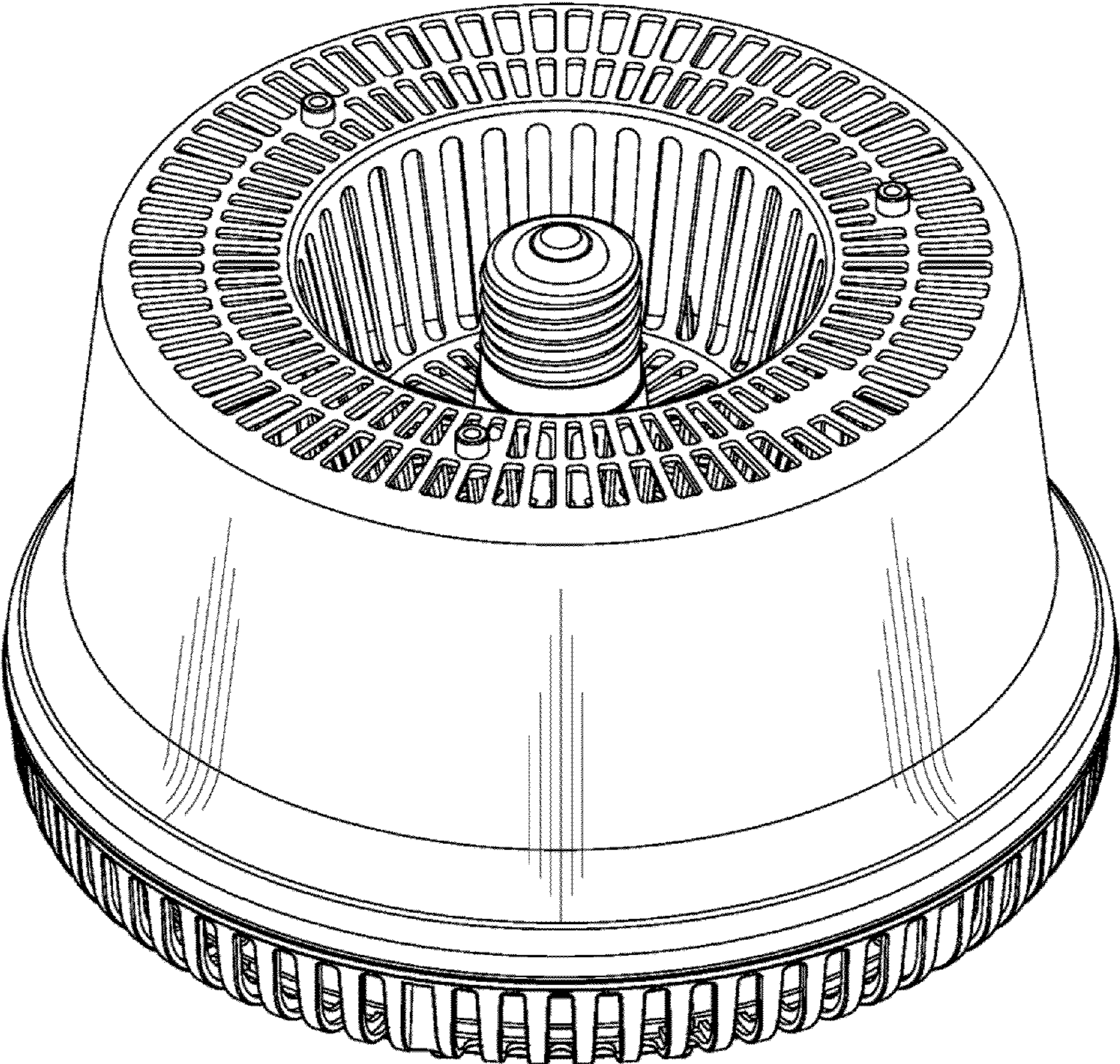


FIG. 1

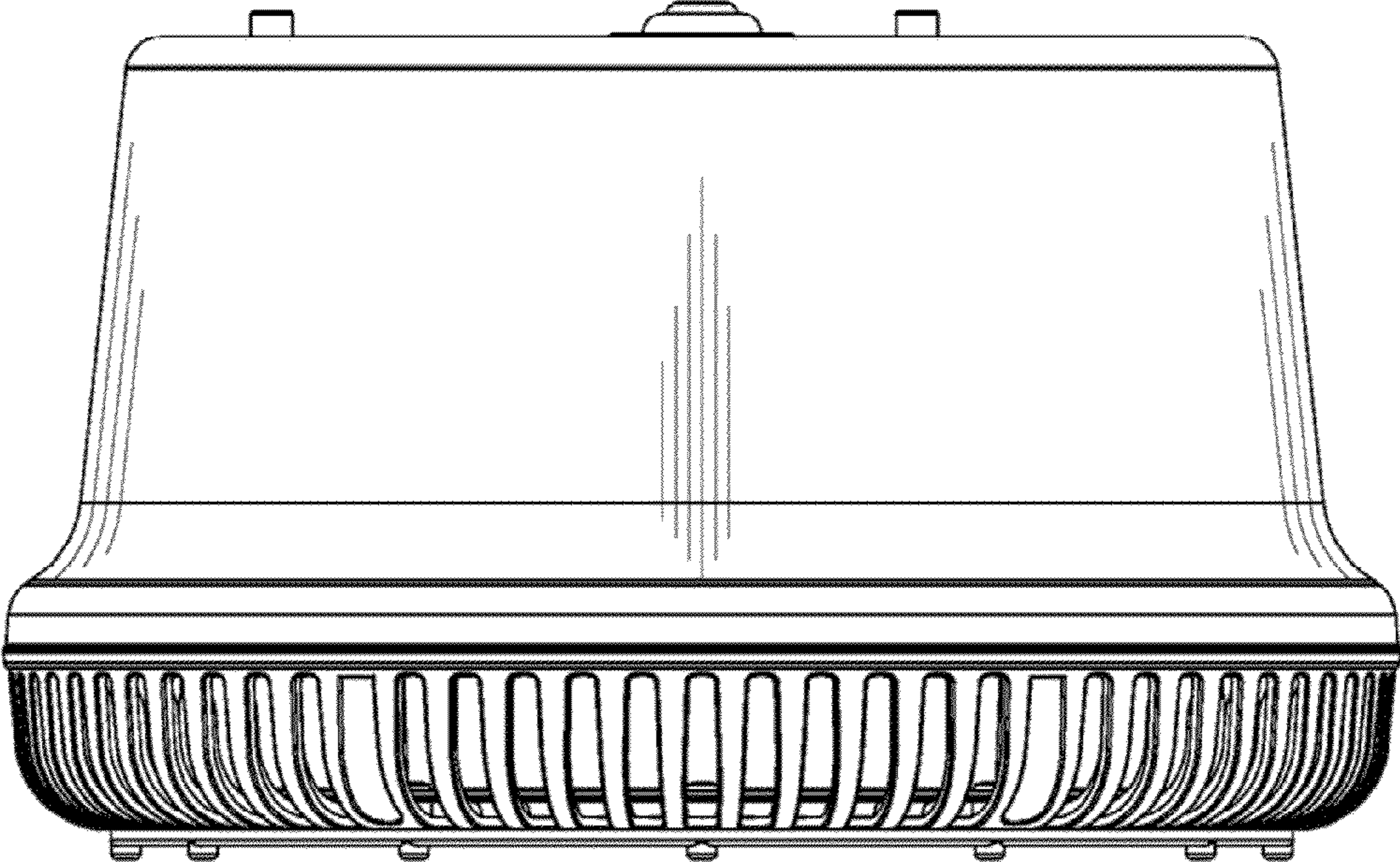


FIG. 2

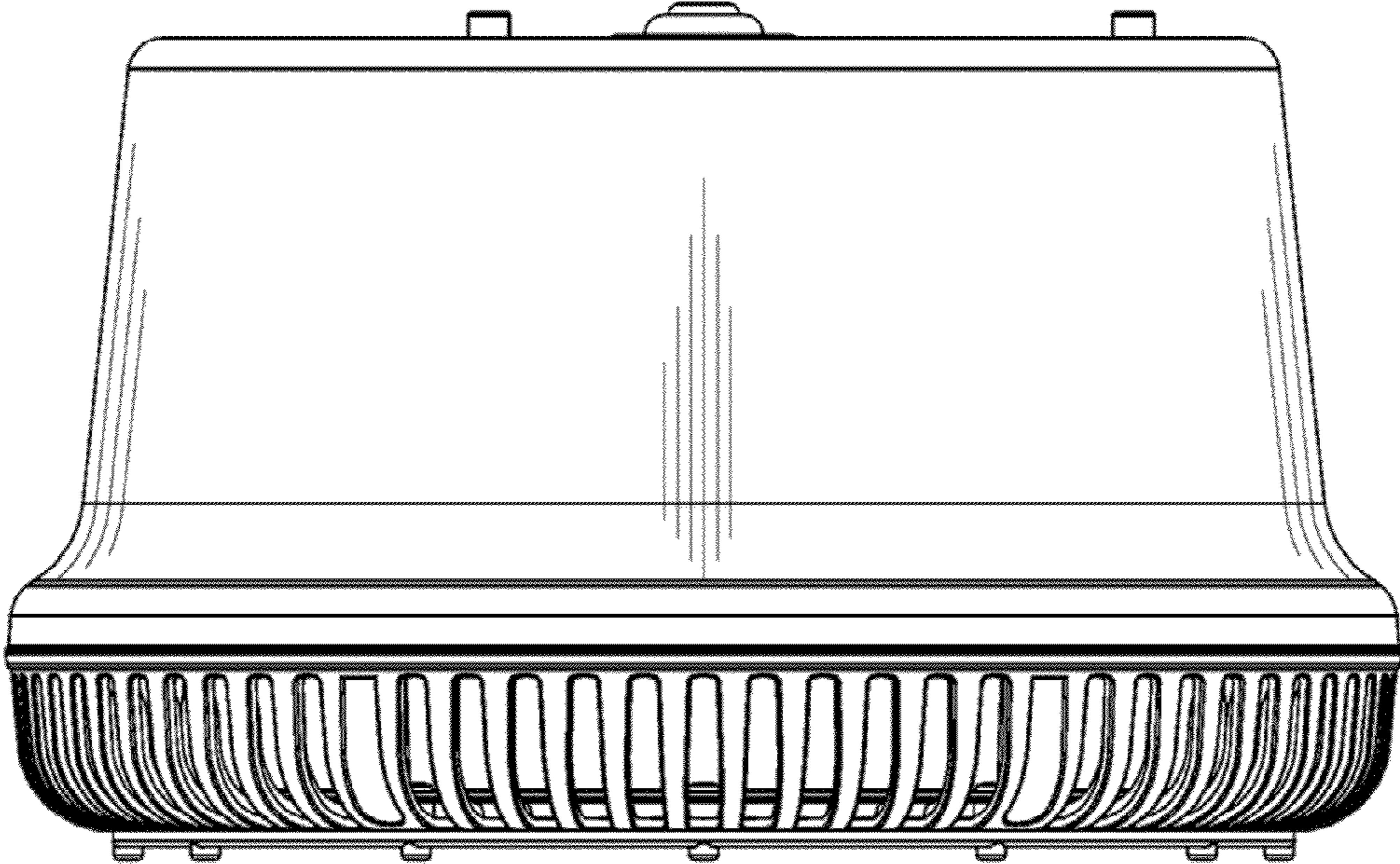


FIG. 3

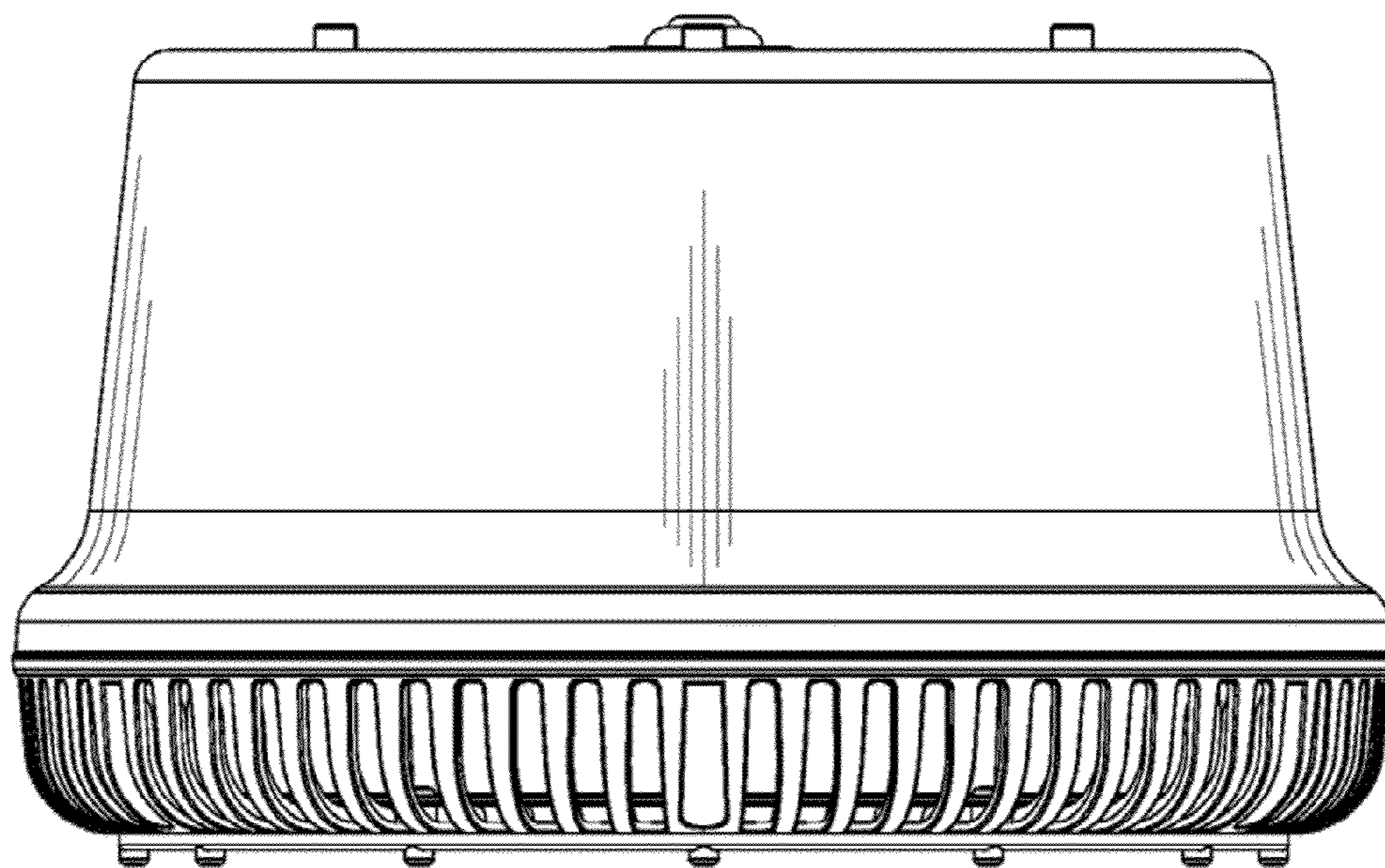


FIG. 4

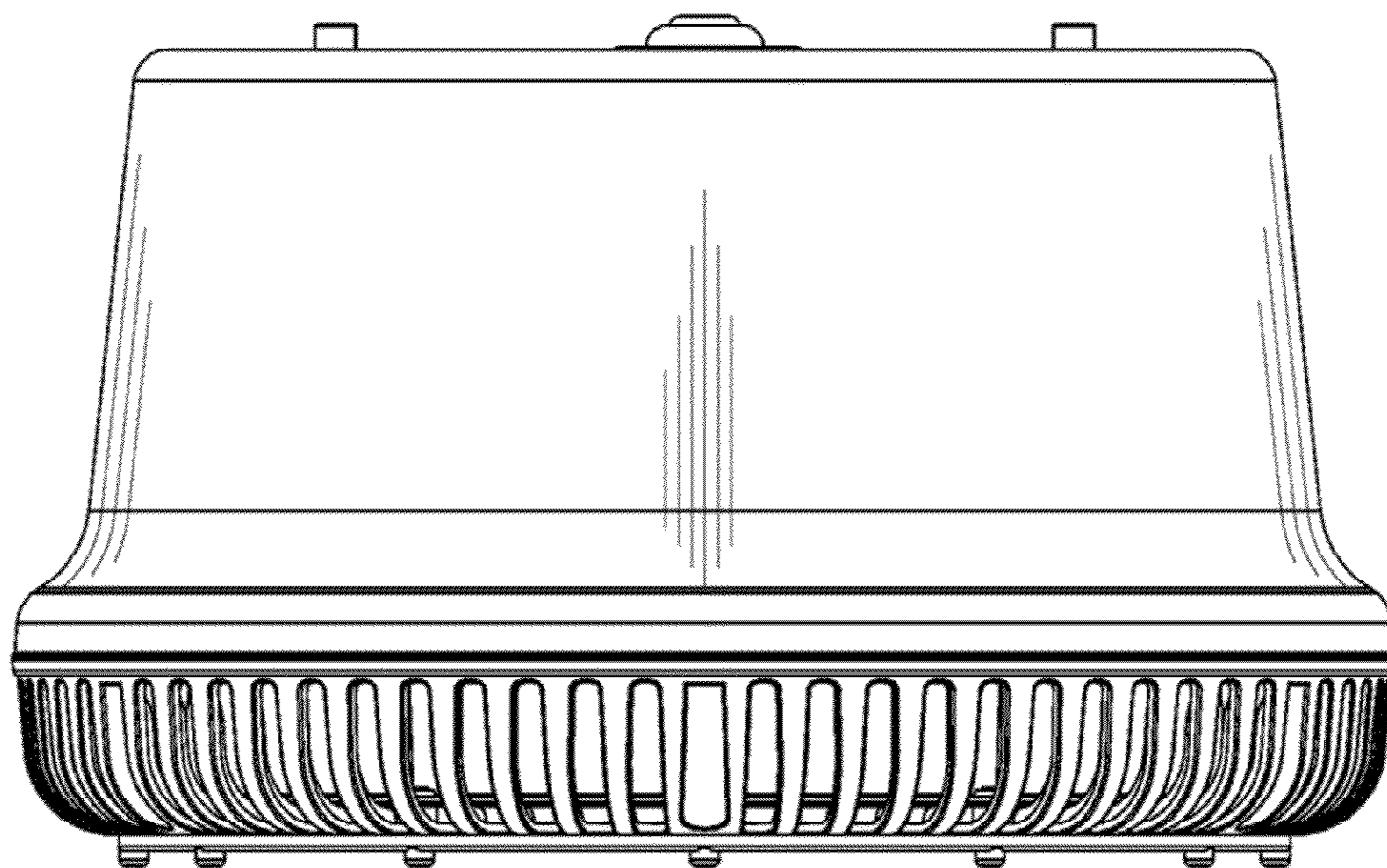


FIG. 5

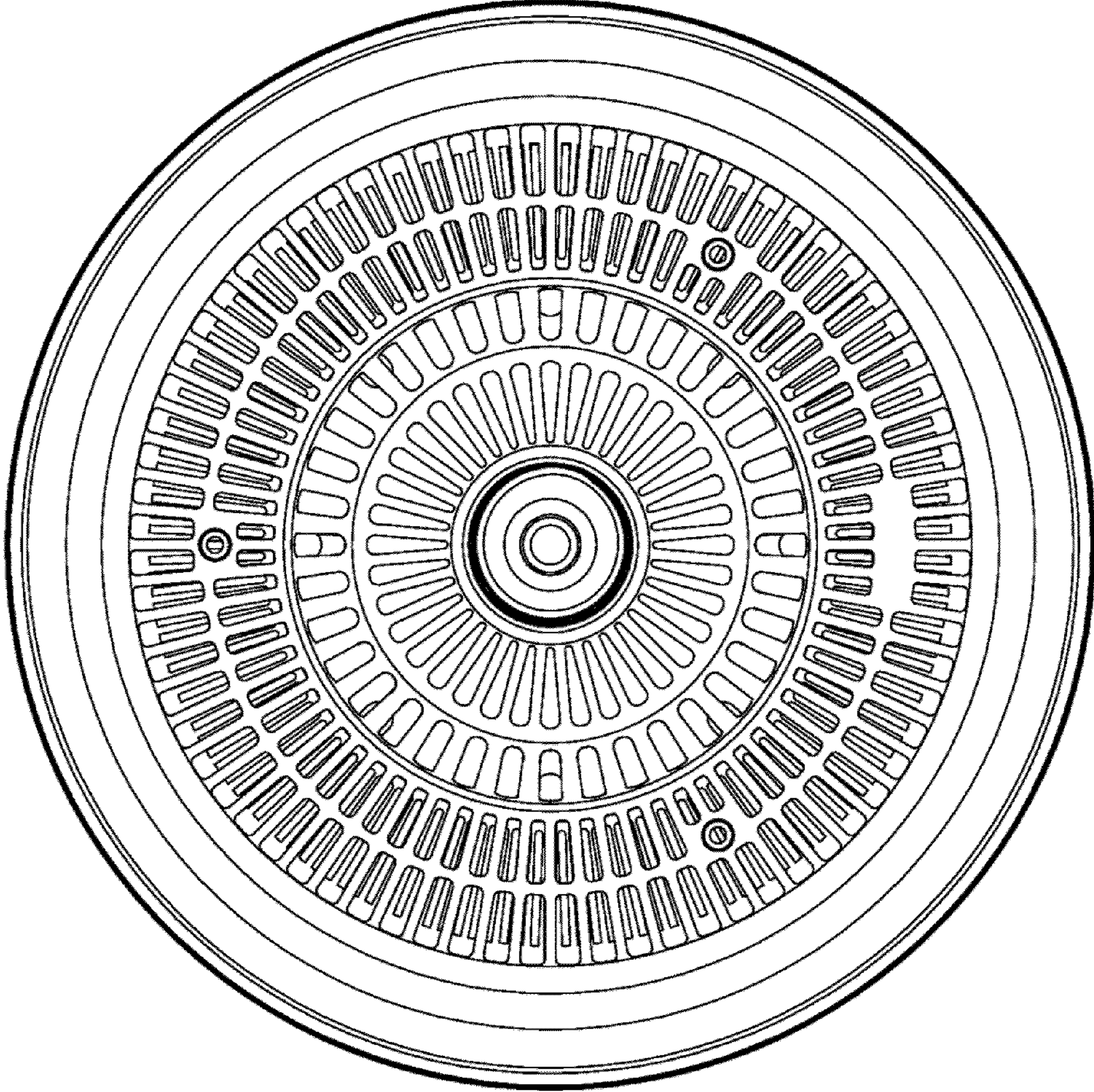


FIG. 6

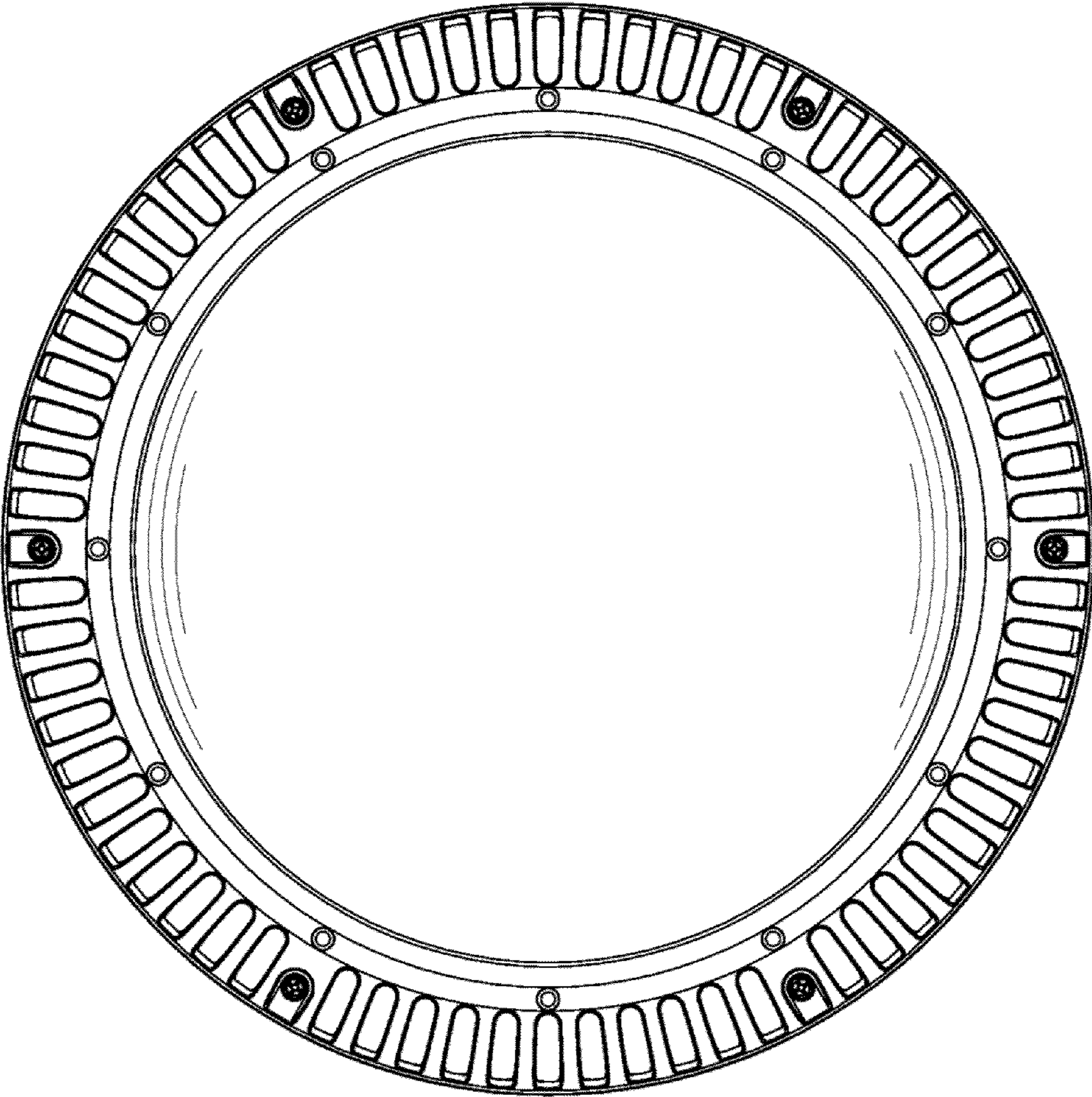


FIG. 7