



US00D733327S

(12) **United States Design Patent**  
**Daniels et al.**

(10) **Patent No.:** **US D733,327 S**  
(45) **Date of Patent:** **\*\* Jun. 30, 2015**

(54) **HANDRAIL**

D479,004 S 8/2003 Perkins et al.  
D480,820 S 10/2003 Perkins et al.  
7,093,825 B2\* 8/2006 Kawamura et al. .... 256/59

(71) Applicant: **InPro Corporation**, Muskego, WI (US)

\* cited by examiner

(72) Inventors: **Janice A. Daniels**, Muskego, WI (US);  
**Matthew G. Bennett**, New Berlin, WI (US)

*Primary Examiner* — Doris Clark

(74) *Attorney, Agent, or Firm* — Reinhart Boerner Van Deuren s.c.

(73) Assignee: **INPRO CORPORATION**, Muskego, WI (US)

(57) **CLAIM**

We claim the ornamental design for a handrail, as shown and described.

(\*\*) Term: **14 Years**

**DESCRIPTION**

(21) Appl. No.: **29/456,576**

FIG. 1 is a top perspective view of a handrail showing our new design.

(22) Filed: **May 31, 2013**

FIG. 2 is a bottom perspective view thereof.

(51) **LOC (10) Cl.** ..... **25-01**

FIG. 3 is a front elevation view thereof.

(52) **U.S. Cl.**

FIG. 4 is a rear elevation view thereof.

USPC ..... **D25/119**; D25/38.1; D25/41.1

FIG. 5 is a left end elevation view of FIG. 1.

(58) **Field of Classification Search**

FIG. 6 is a right end elevation view of FIG. 1.

USPC ..... D25/119, 38.1, 41.1; 256/59, 65.16

FIG. 7 is a top plan view thereof.

See application file for complete search history.

FIG. 8 is a bottom plan view thereof; and,

FIG. 9 is another top perspective view.

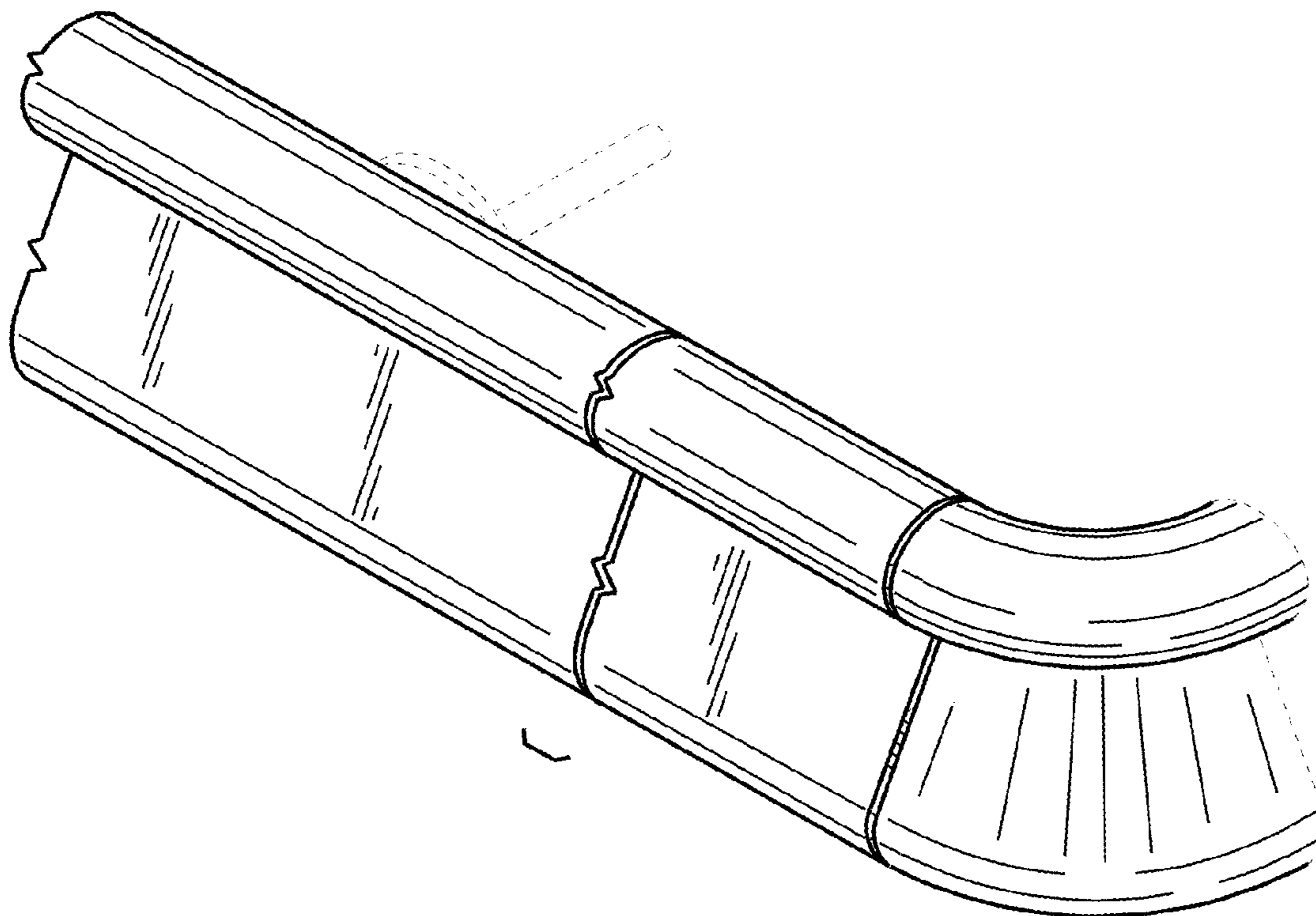
(56) **References Cited**

The ornamental design which is claimed is shown in solid lines in the drawings. The broken lines in the drawings are for illustrative purposes only and form no part of the claimed design. The dot-dash lines in the drawings form a boundary of the claimed design.

**U.S. PATENT DOCUMENTS**

3,825,229 A \* 7/1974 Bartlett et al. .... 256/59  
4,353,529 A \* 10/1982 Brown ..... 256/59  
D407,829 S \* 4/1999 Collette et al. .... D25/119  
D469,882 S 2/2003 Perkins et al.

**1 Claim, 3 Drawing Sheets**



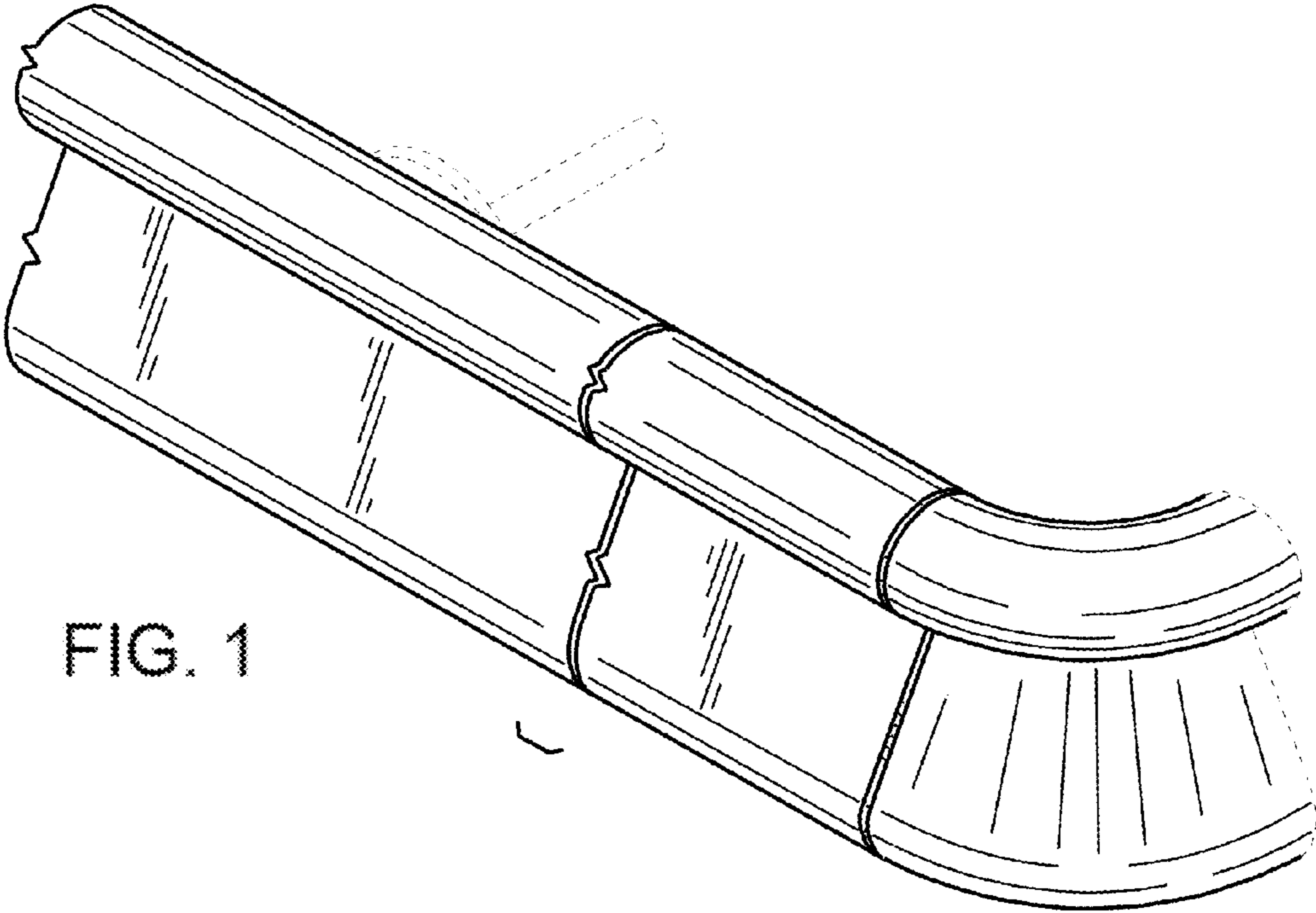


FIG. 1

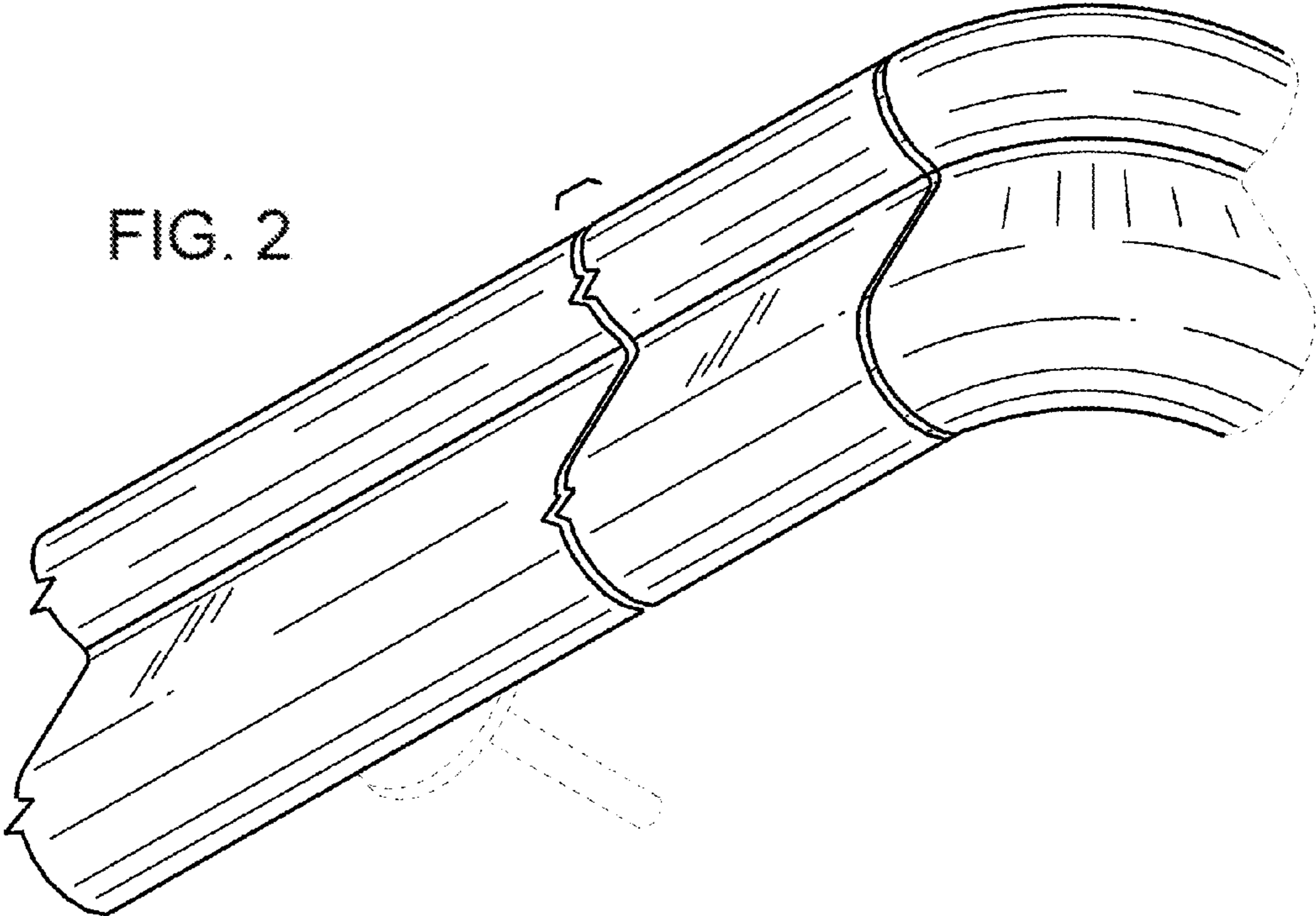


FIG. 2

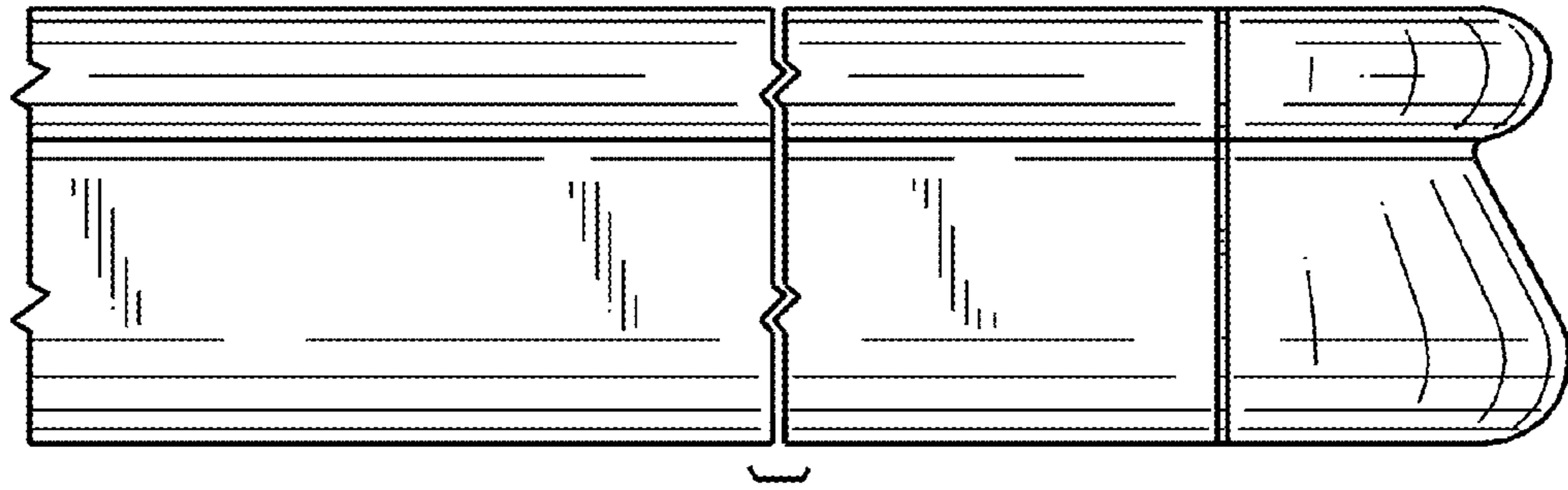


FIG. 3

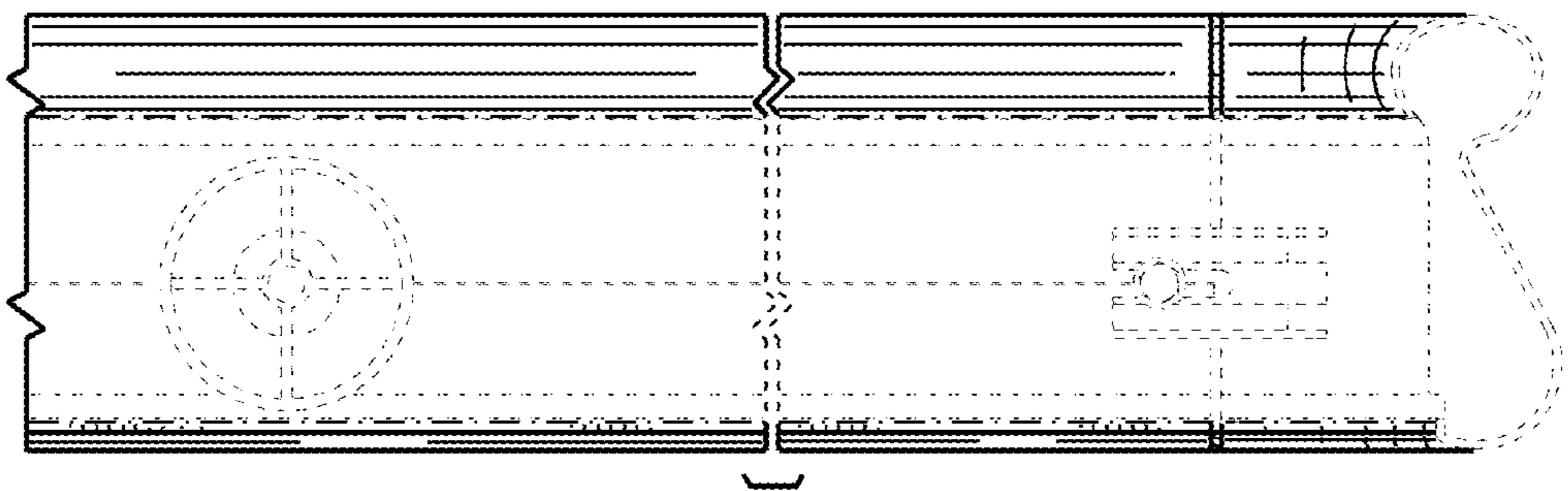


FIG. 4

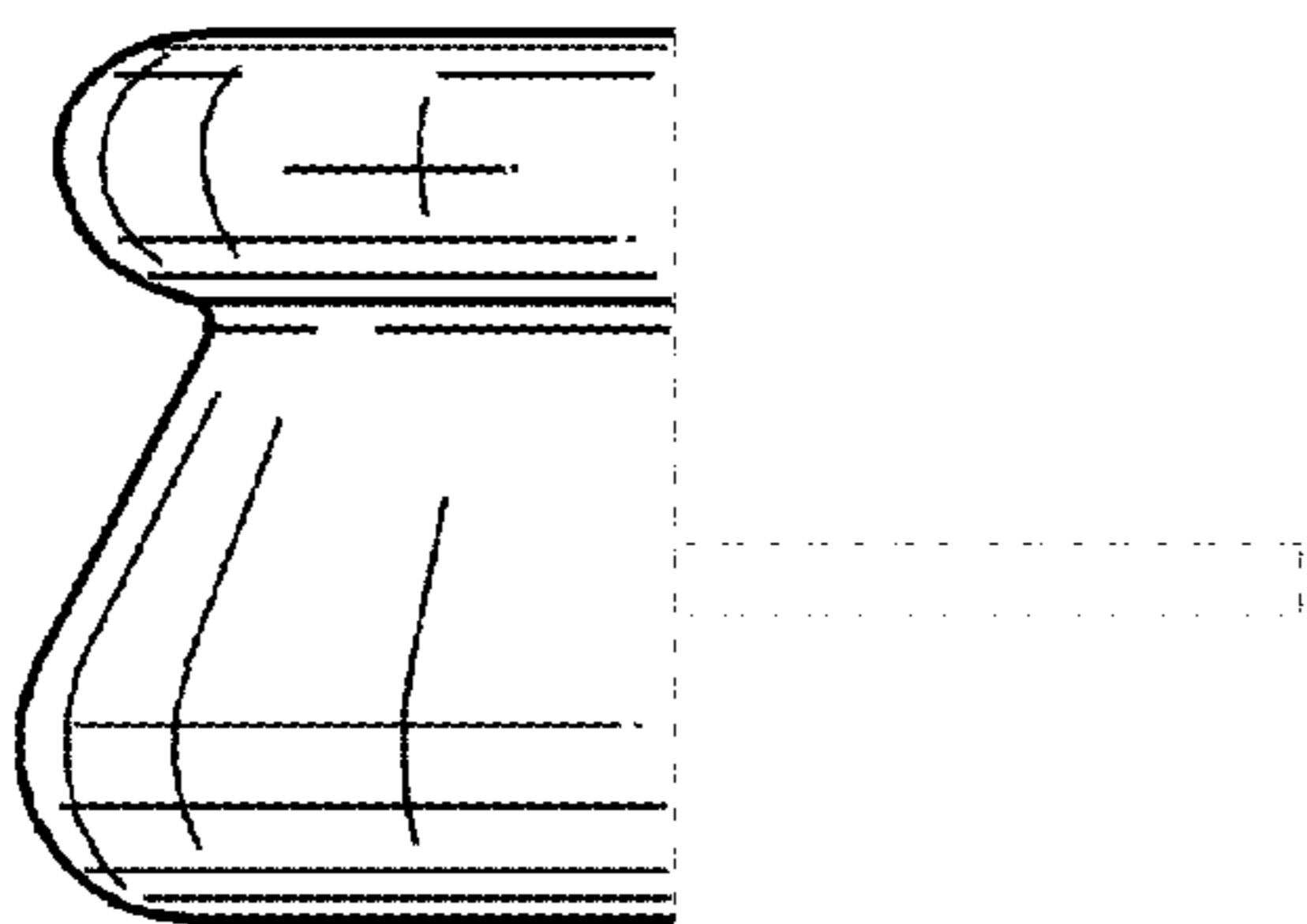


FIG. 5

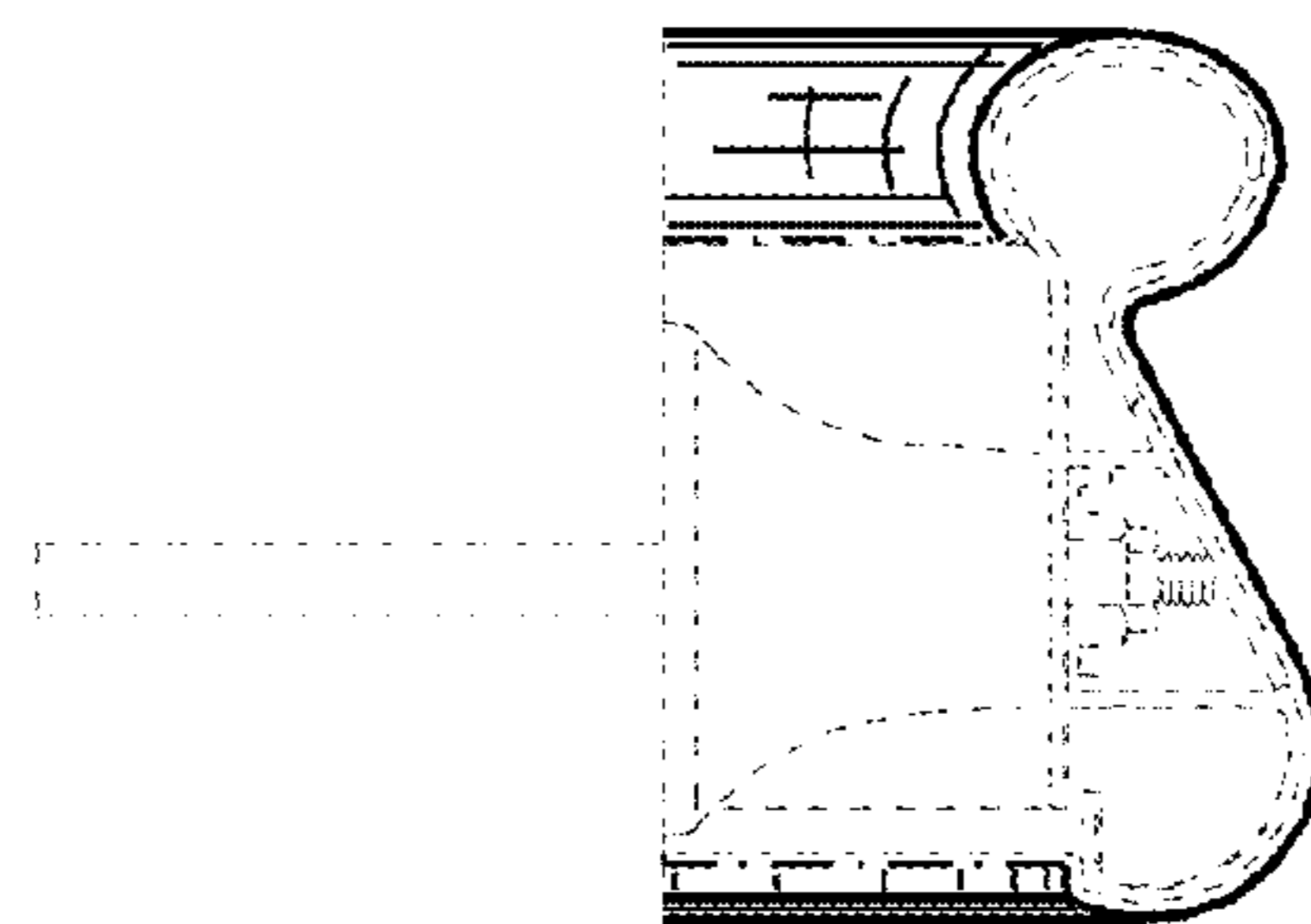


FIG. 6

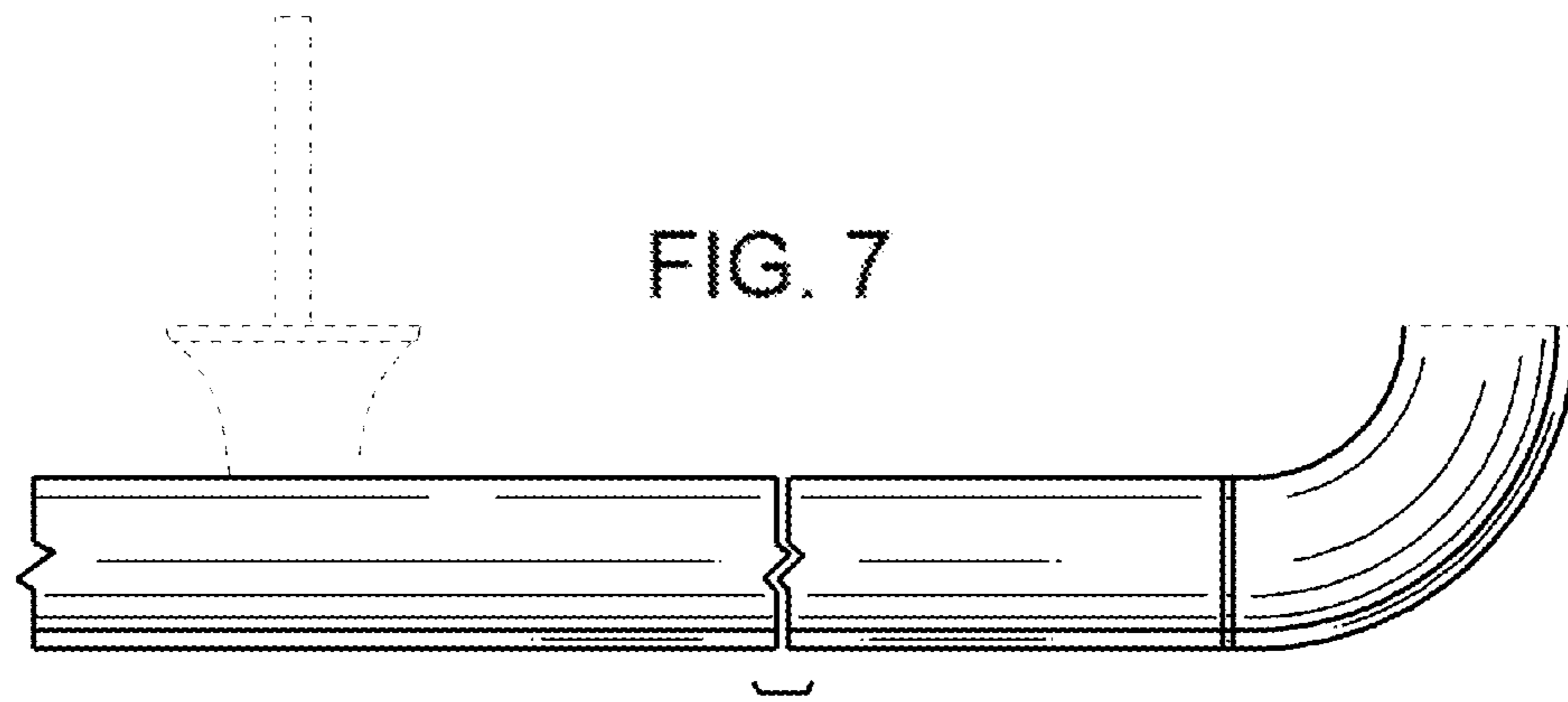


FIG. 7

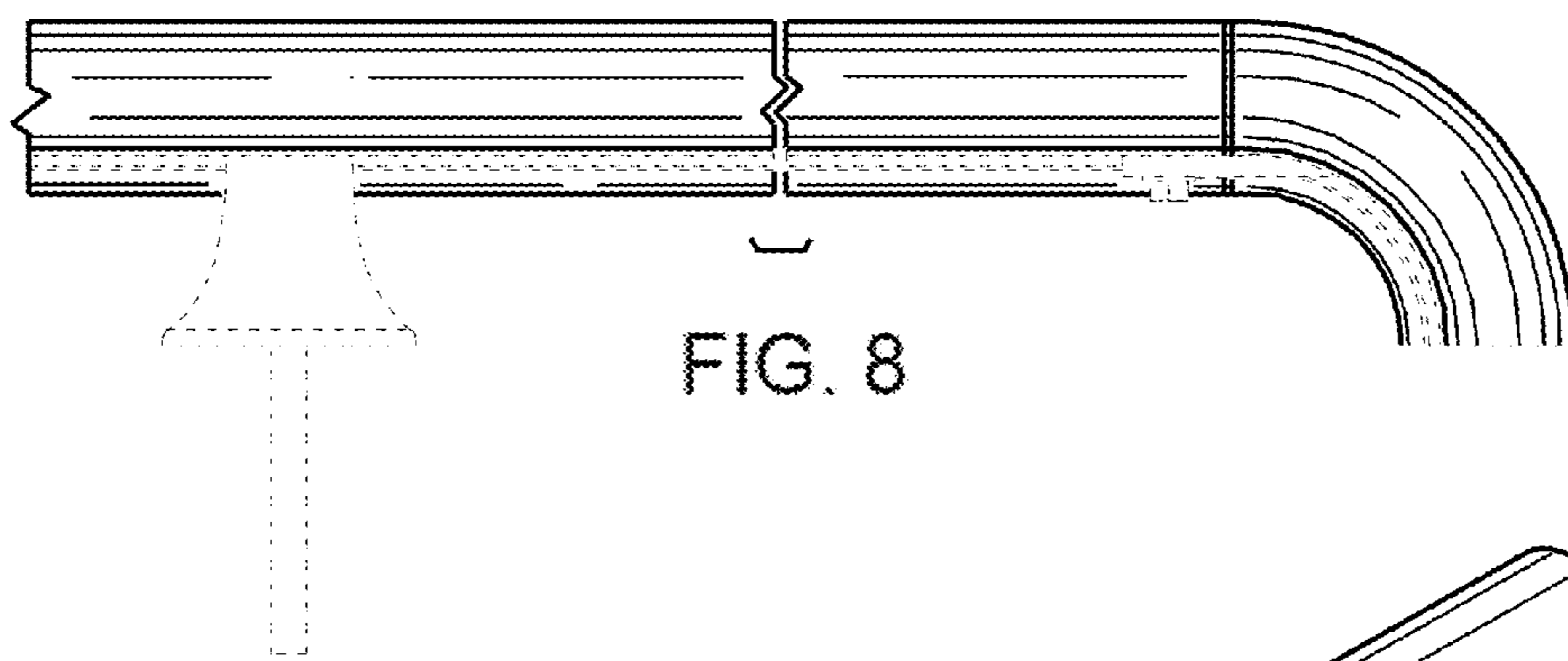


FIG. 8

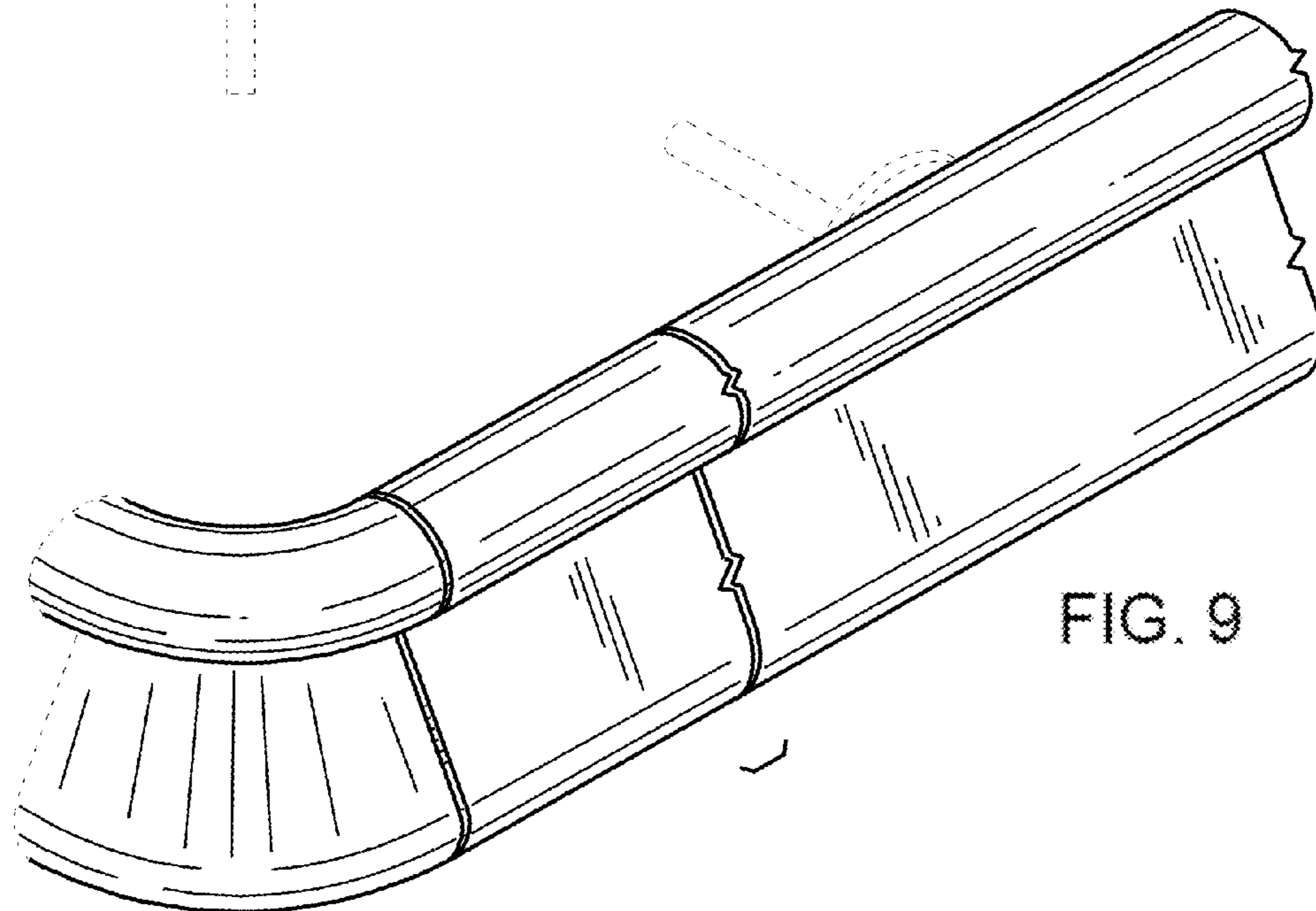


FIG. 9