



US00D733326S

(12) **United States Design Patent**
Gribble et al.

(10) **Patent No.:** **US D733,326 S**
(45) **Date of Patent:** **** Jun. 30, 2015**

(54) **DECK COVERING**

(71) Applicants: **William R. Gribble**, Akron, OH (US);
Terry Sisler, Avon, OH (US)

(72) Inventors: **William R. Gribble**, Akron, OH (US);
Terry Sisler, Avon, OH (US)

(**) Term: **14 Years**

(21) Appl. No.: **29/467,590**

(22) Filed: **Sep. 20, 2013**

(51) **LOC (10) Cl.** **25-04**

(52) **U.S. Cl.**
USPC **D25/69**

(58) **Field of Classification Search**
USPC D25/69; 182/188, 177, 179, 182
See application file for complete search history.

(56) **References Cited**

U.S. PATENT DOCUMENTS

2,787,036	A *	4/1957	Mermer	52/179
D279,607	S *	7/1985	Rutter	D25/69
5,613,339	A	3/1997	Pollock	52/836
D404,834	S	1/1999	Iliadis	D25/55
D459,818	S	7/2002	Chaney et al.	D25/125
6,415,562	B1 *	7/2002	Donaghue et al.	52/177
D519,648	S *	4/2006	Enersen	D25/69
7,441,378	B2	10/2008	Wood	52/177
D661,816	S *	6/2012	Young	D25/69
D667,143	S	9/2012	Swanson	D25/119
D684,705	S	6/2013	Curtas	D25/119
2005/0178071	A1	8/2005	Wood	52/3

* cited by examiner

Primary Examiner — Doris Clark

(74) *Attorney, Agent, or Firm* — Alvin T. Rockhill

(57) **CLAIM**

The ornamental design for a deck covering, as shown and described.

DESCRIPTION

FIG. 1 is a top perspective view of the deck covering of this invention which is attached to a conventional deck plank. It

should be noted that the subject matter shown in broken lines, including the conventional deck plank, does not constitute any part of the claimed designs.

FIG. 2 is a top perspective view of the deck covering of this invention.

FIG. 3 is a bottom perspective view of the deck covering of this invention.

FIG. 4 is a top view of the deck covering of this invention.

FIG. 5 is a bottom perspective view of the deck covering of this invention.

FIG. 6 is a front view of the deck covering of this invention.

FIG. 7 is a back view of the deck covering of this invention.

FIG. 8 is a right side view of the deck covering of this invention with the left side view being a mirror image of the right side view.

FIG. 9 is a top perspective view of an alternative embodiment of the deck covering of this invention which is attached to a conventional deck plank. It should be noted that the subject matter shown in broken lines, including the conventional deck plank, does not constitute any part of the claimed designs.

FIG. 10 is a top perspective view of the alternative embodiment of the deck covering of this invention.

FIG. 11 is a bottom perspective view of the alternative embodiment of the deck covering of this invention.

FIG. 12 is a top view of the alternative embodiment of the deck covering of this invention.

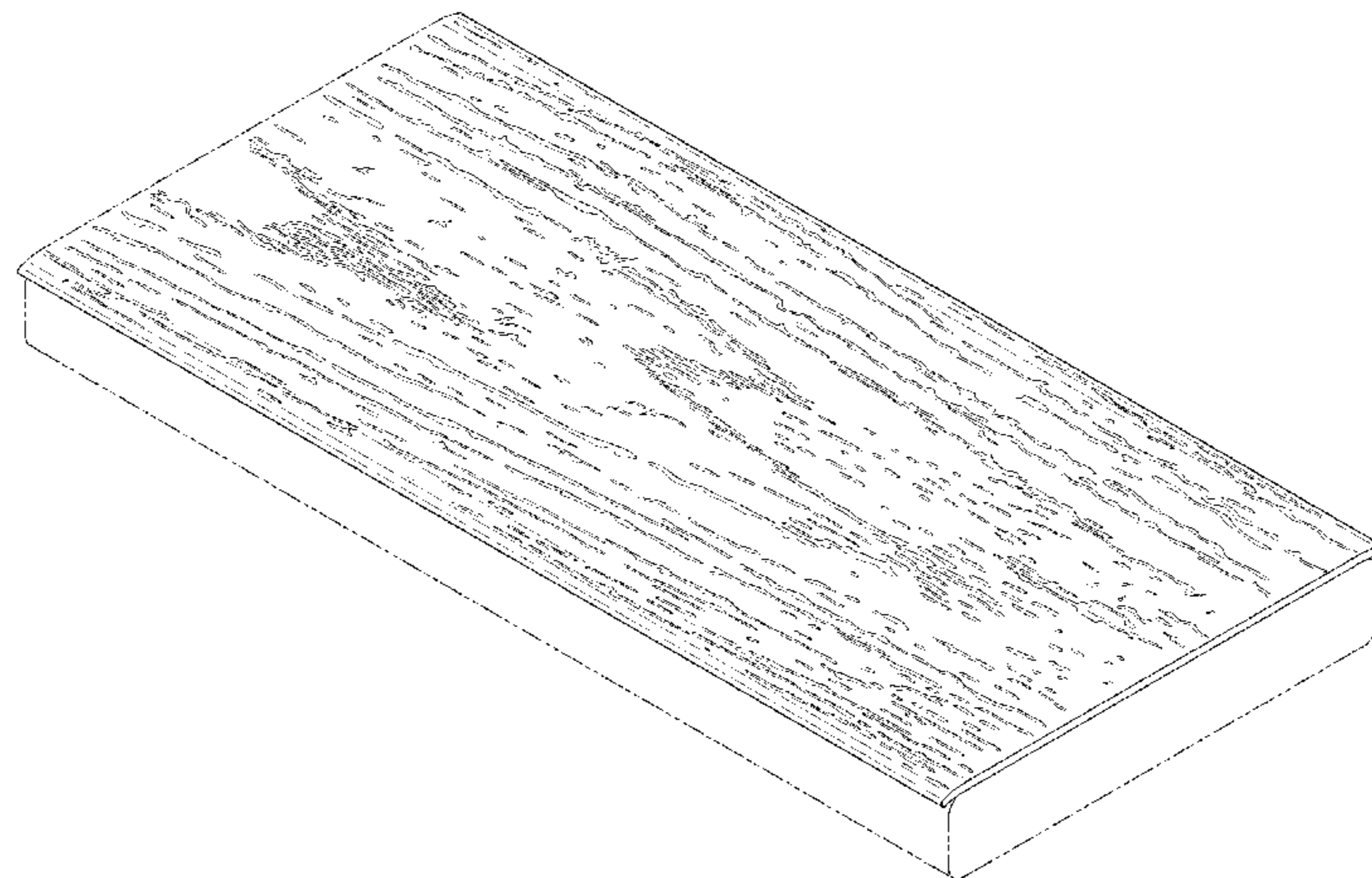
FIG. 13 is a bottom view of the alternative embodiment of the deck covering of this invention.

FIG. 14 is a front view of the alternative embodiment of the deck covering of this invention.

FIG. 15 is a back view of the alternative embodiment of the deck covering of this invention; and,

FIG. 16 is a right side view of the alternative embodiment of the deck covering of this invention with the left side view being a mirror image of the right side view.

1 Claim, 12 Drawing Sheets



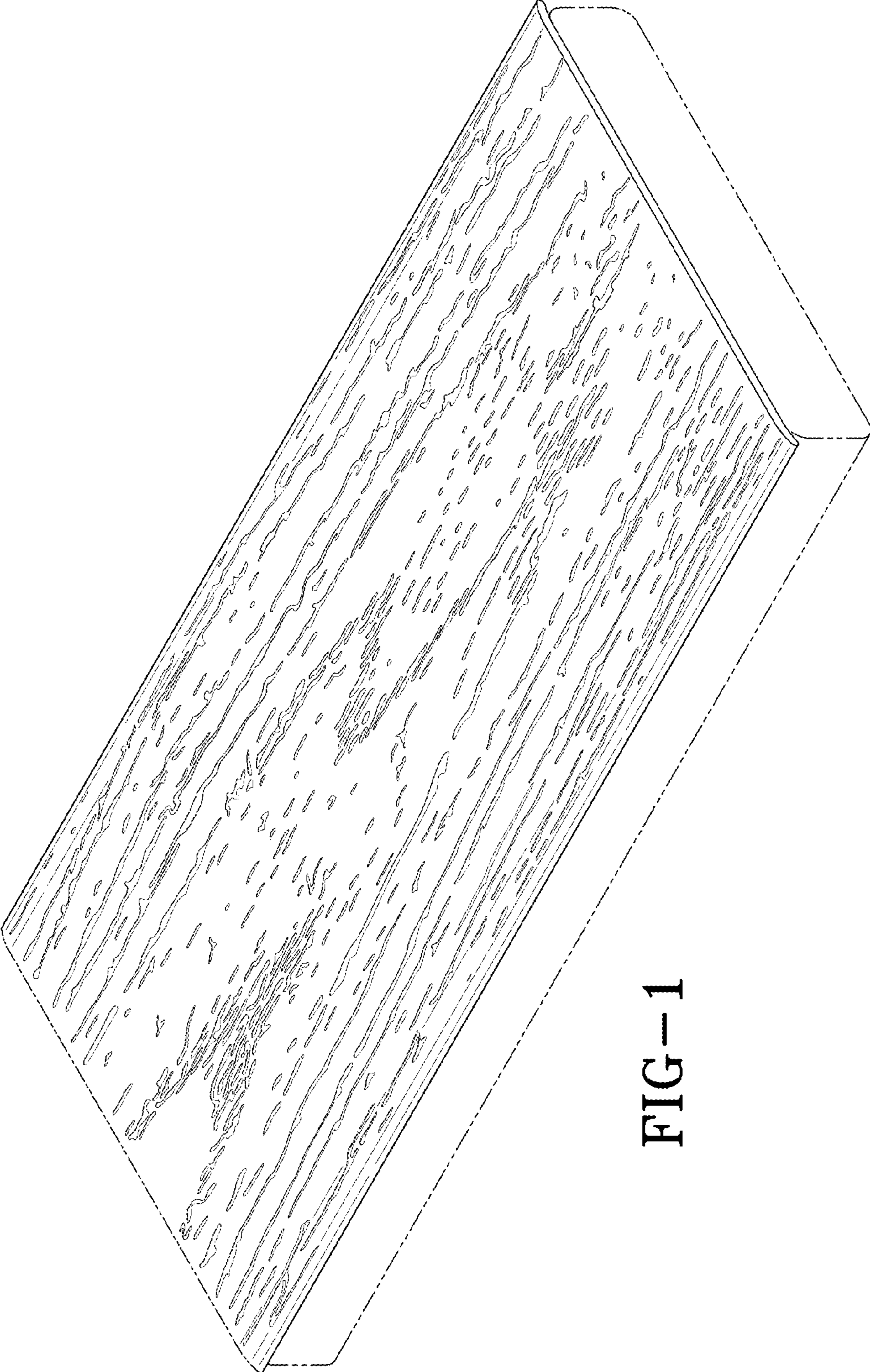


FIG-1

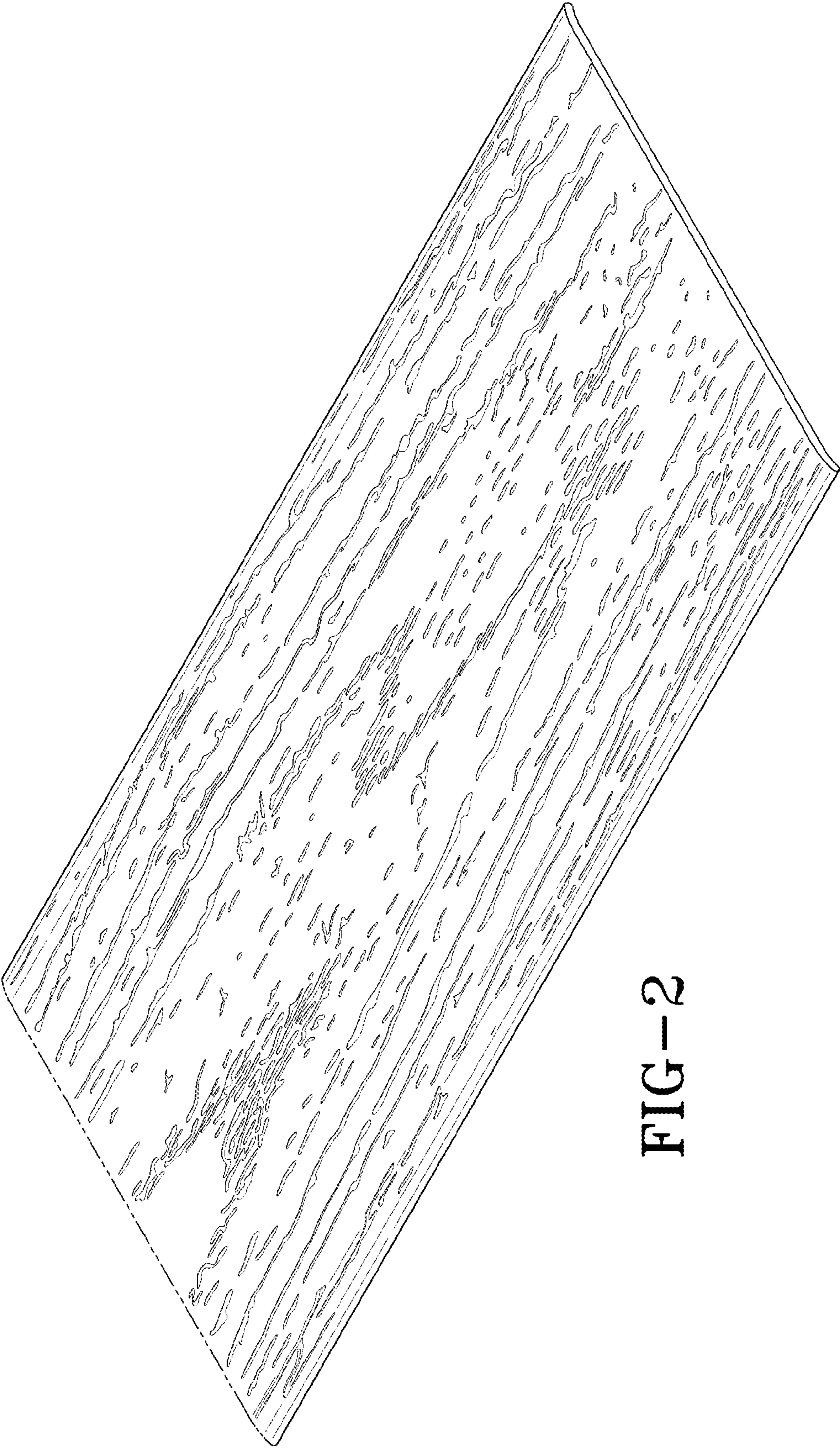


FIG-2

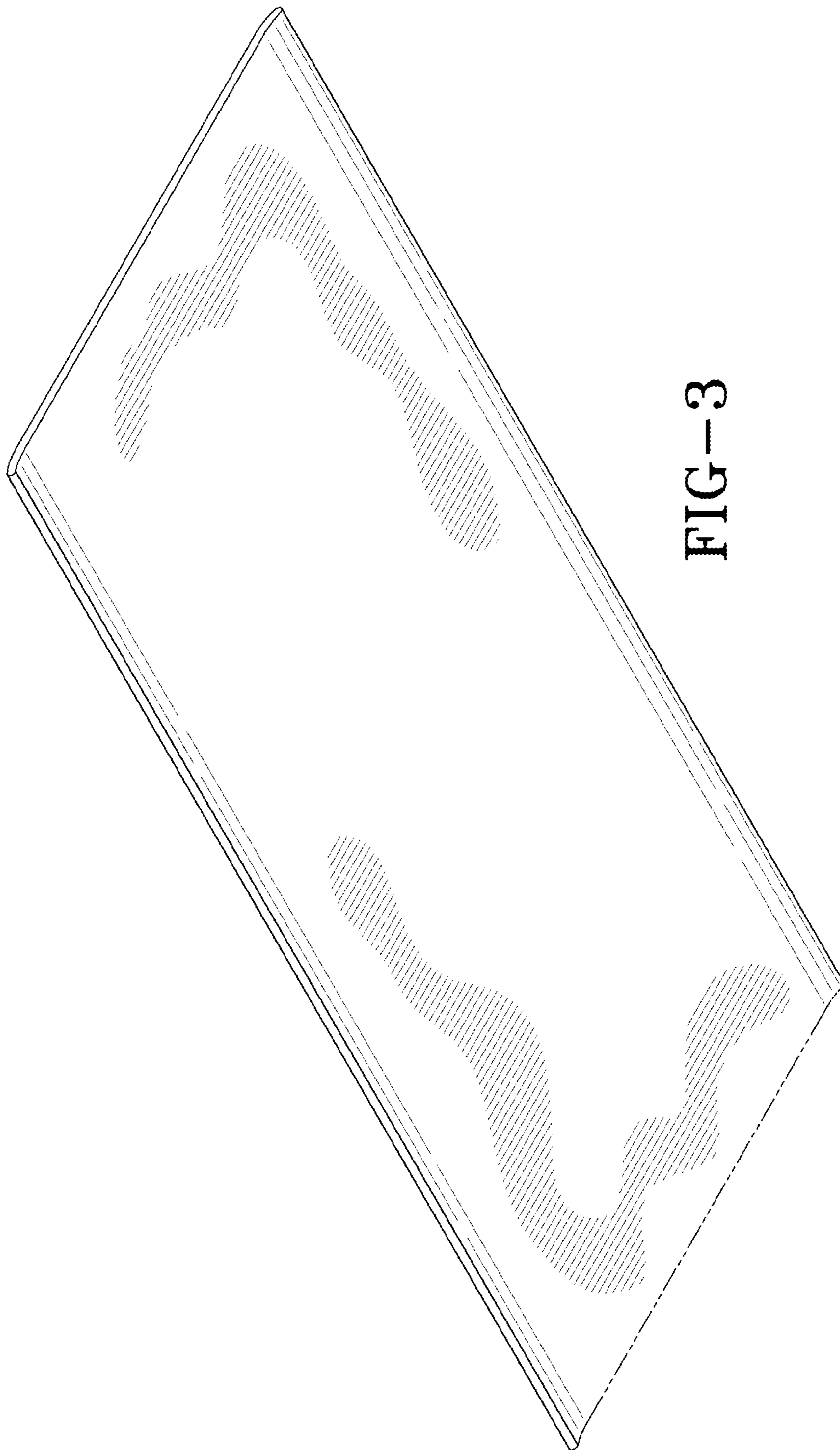


FIG-3

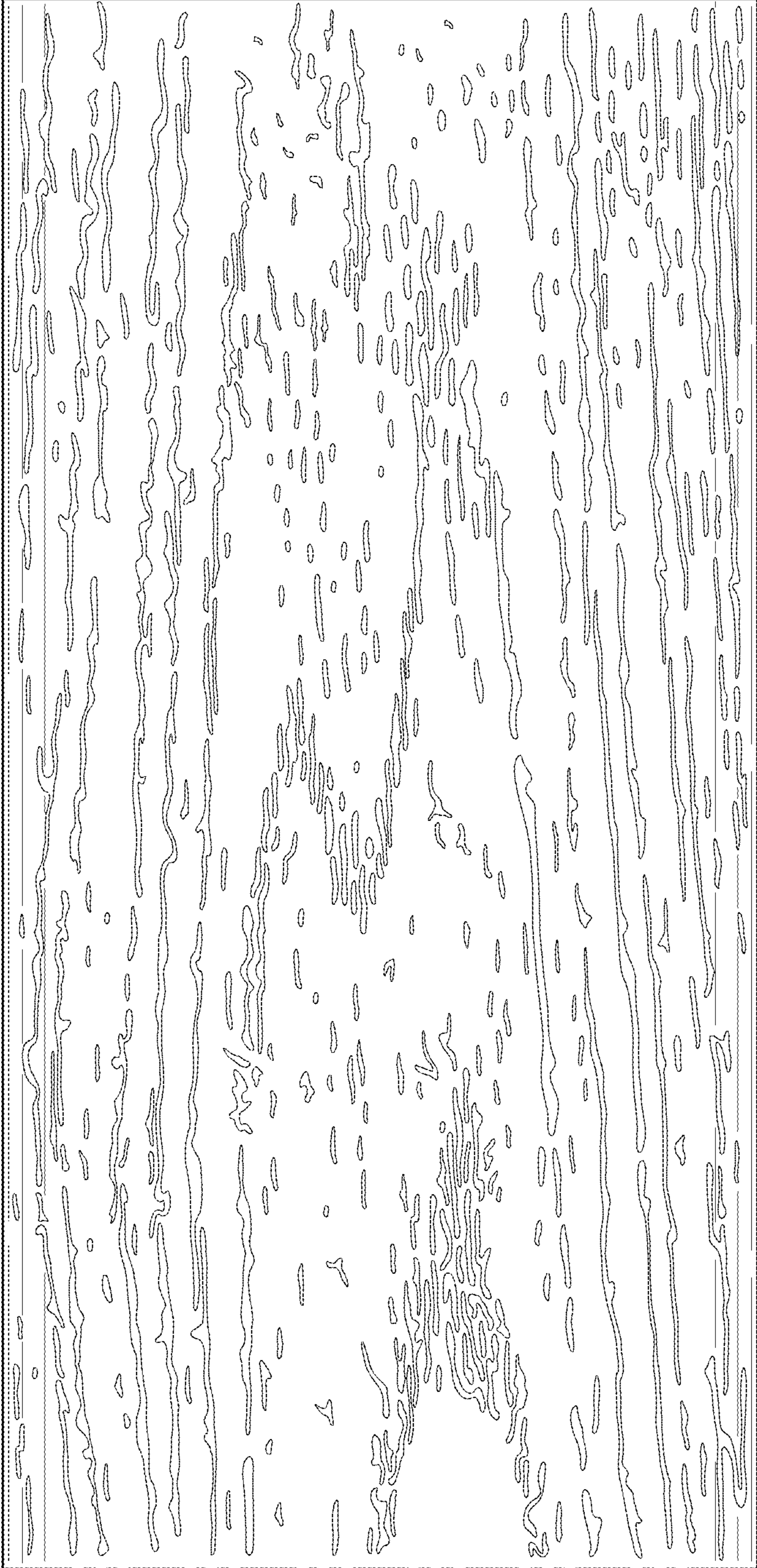


FIG-4

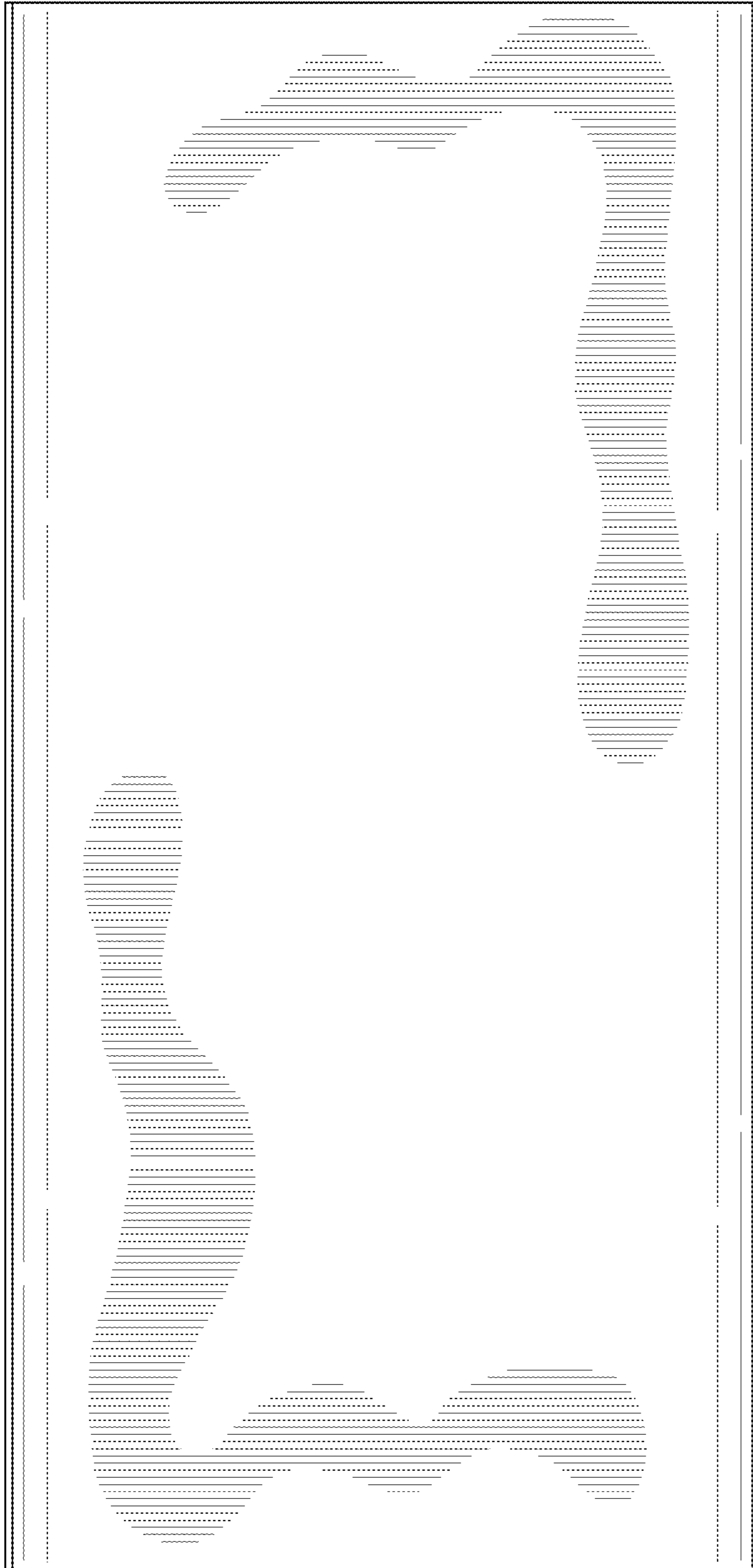


FIG-5



FIG-6



FIG-7



FIG-8

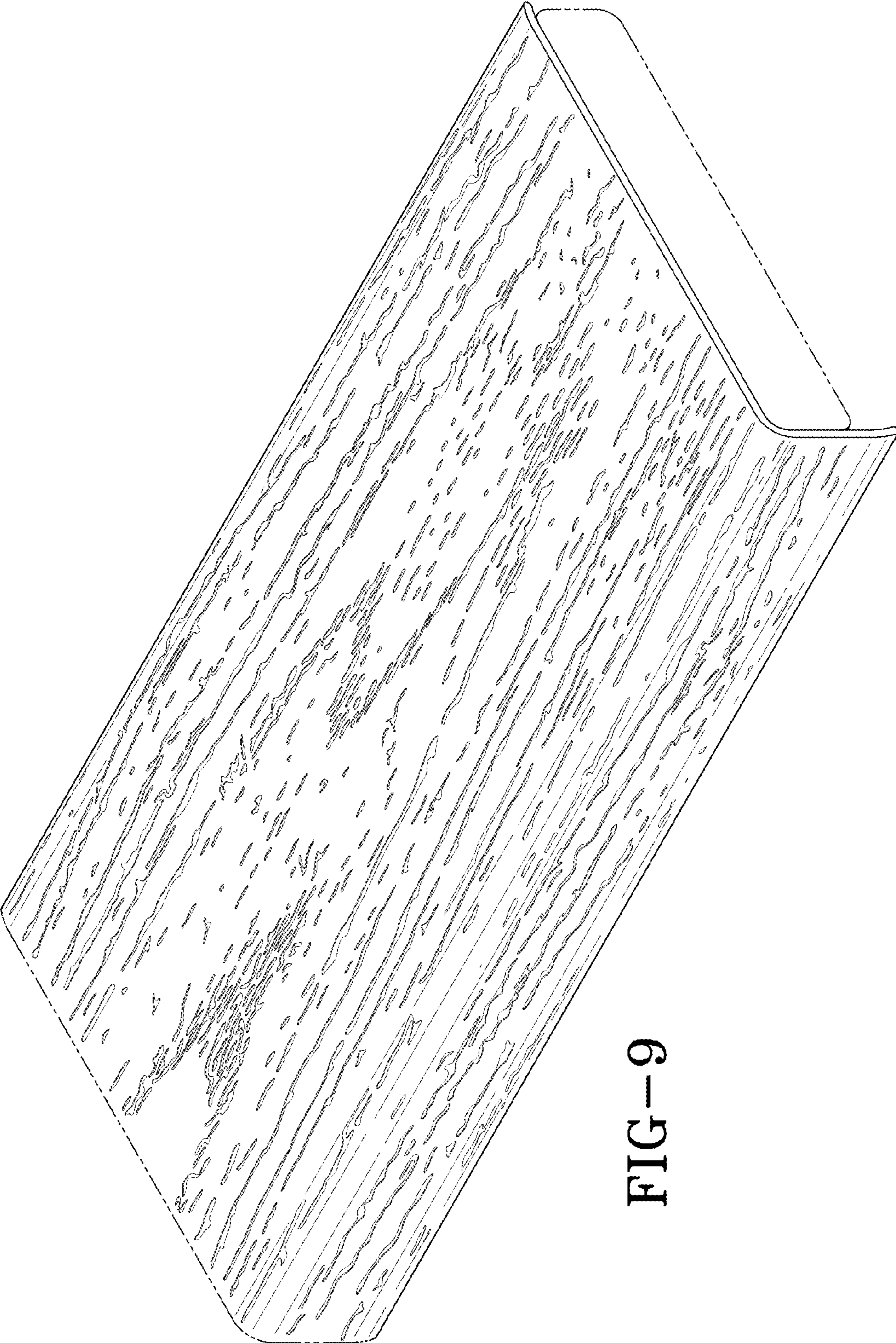


FIG-9

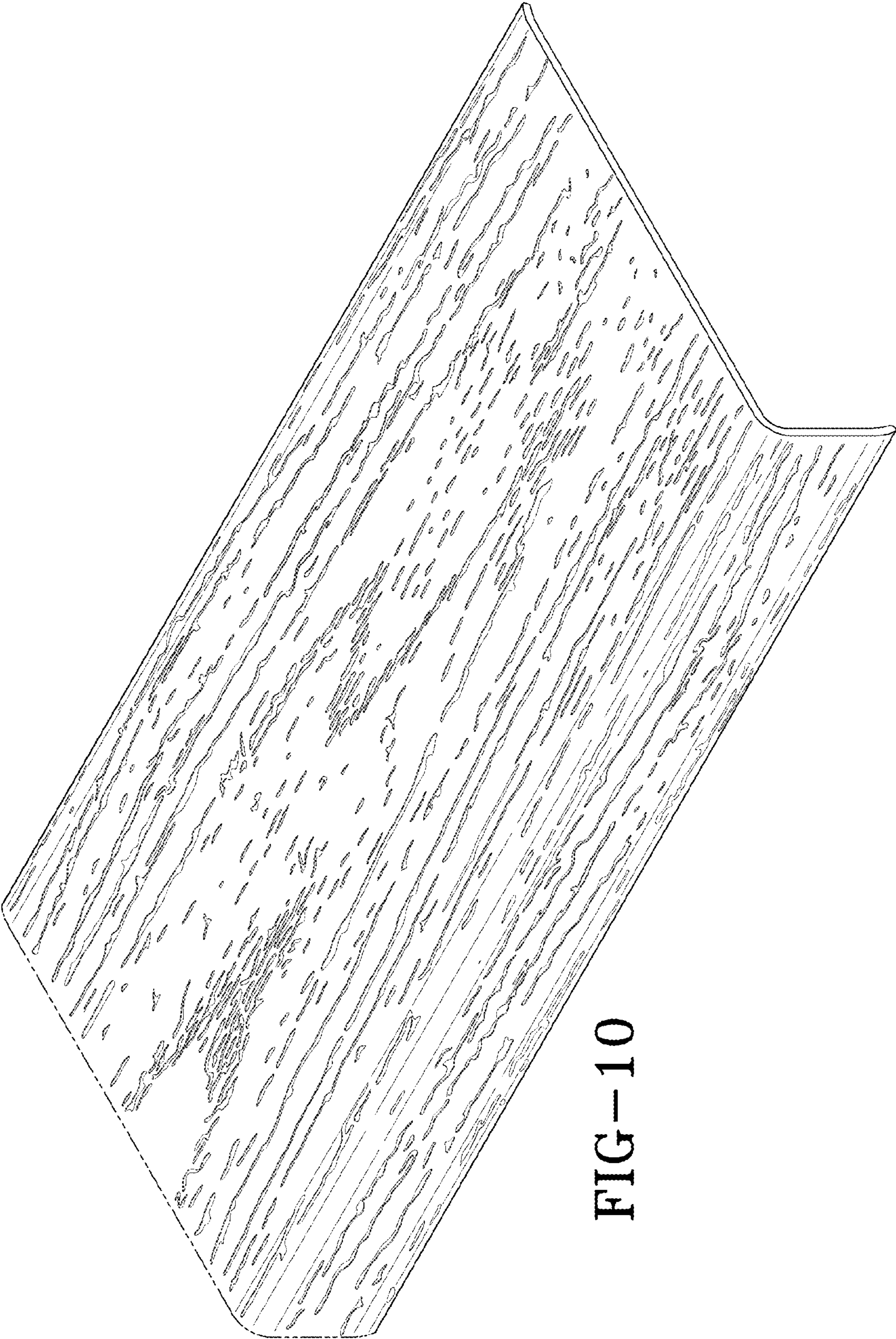


FIG-10

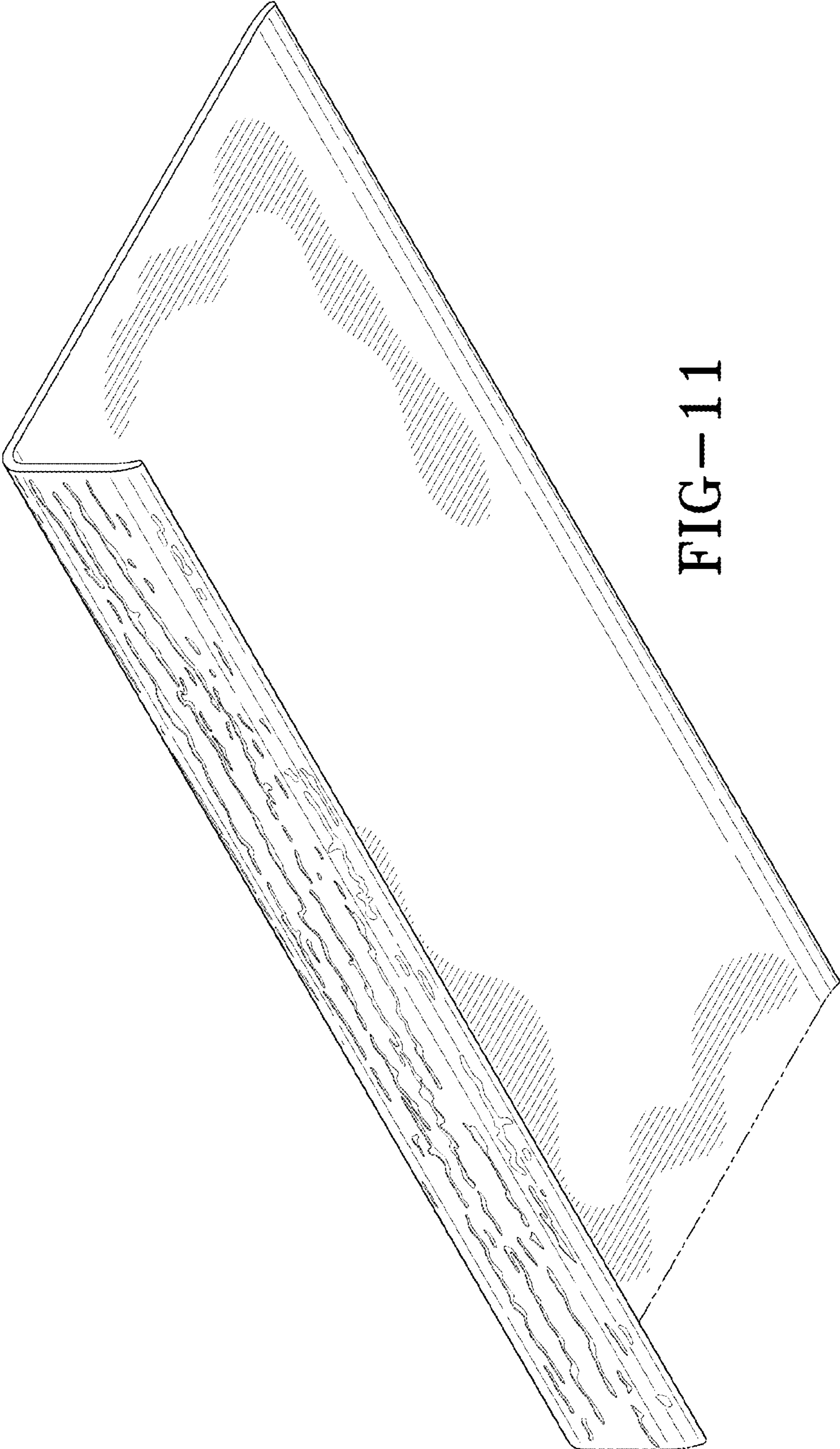


FIG-11

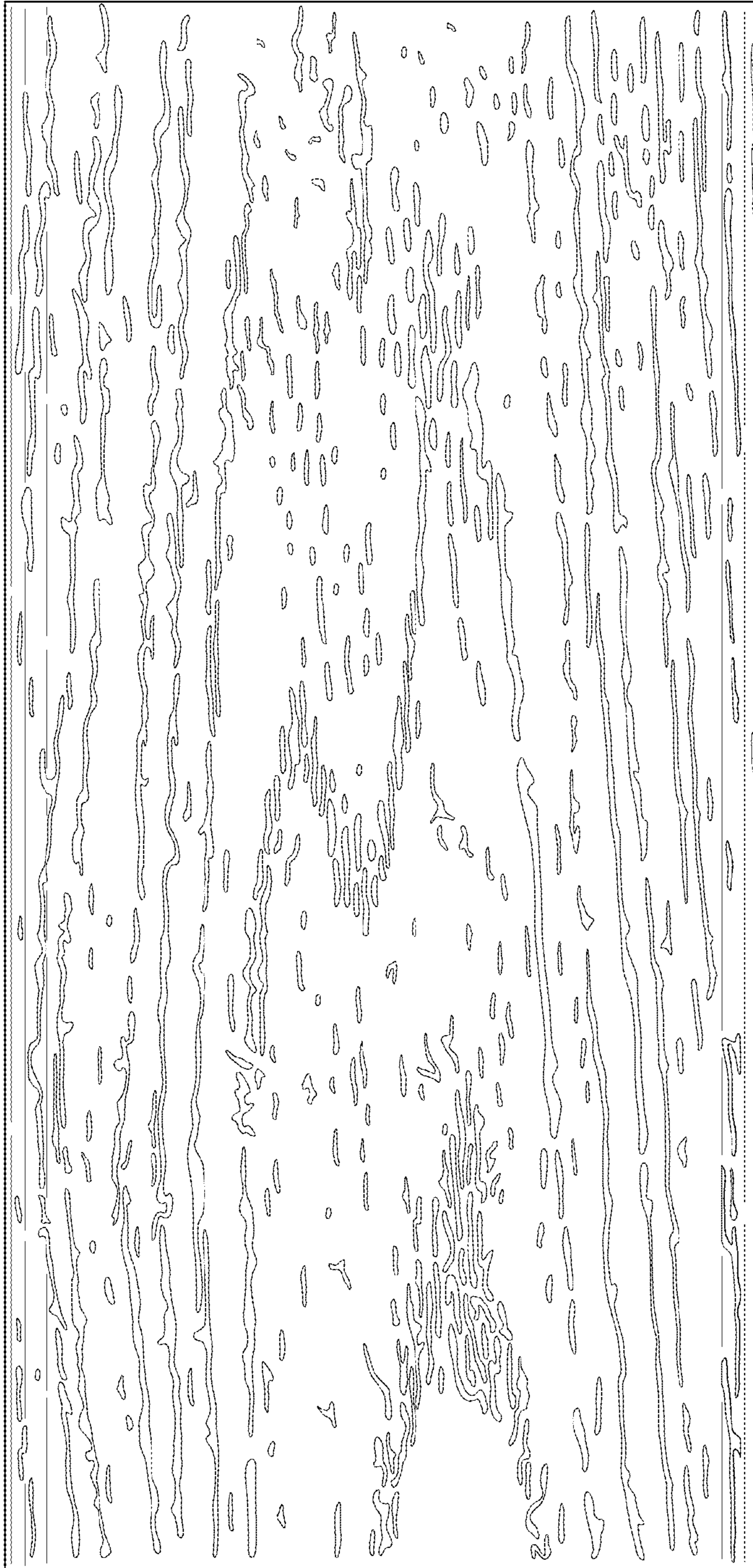


FIG-12

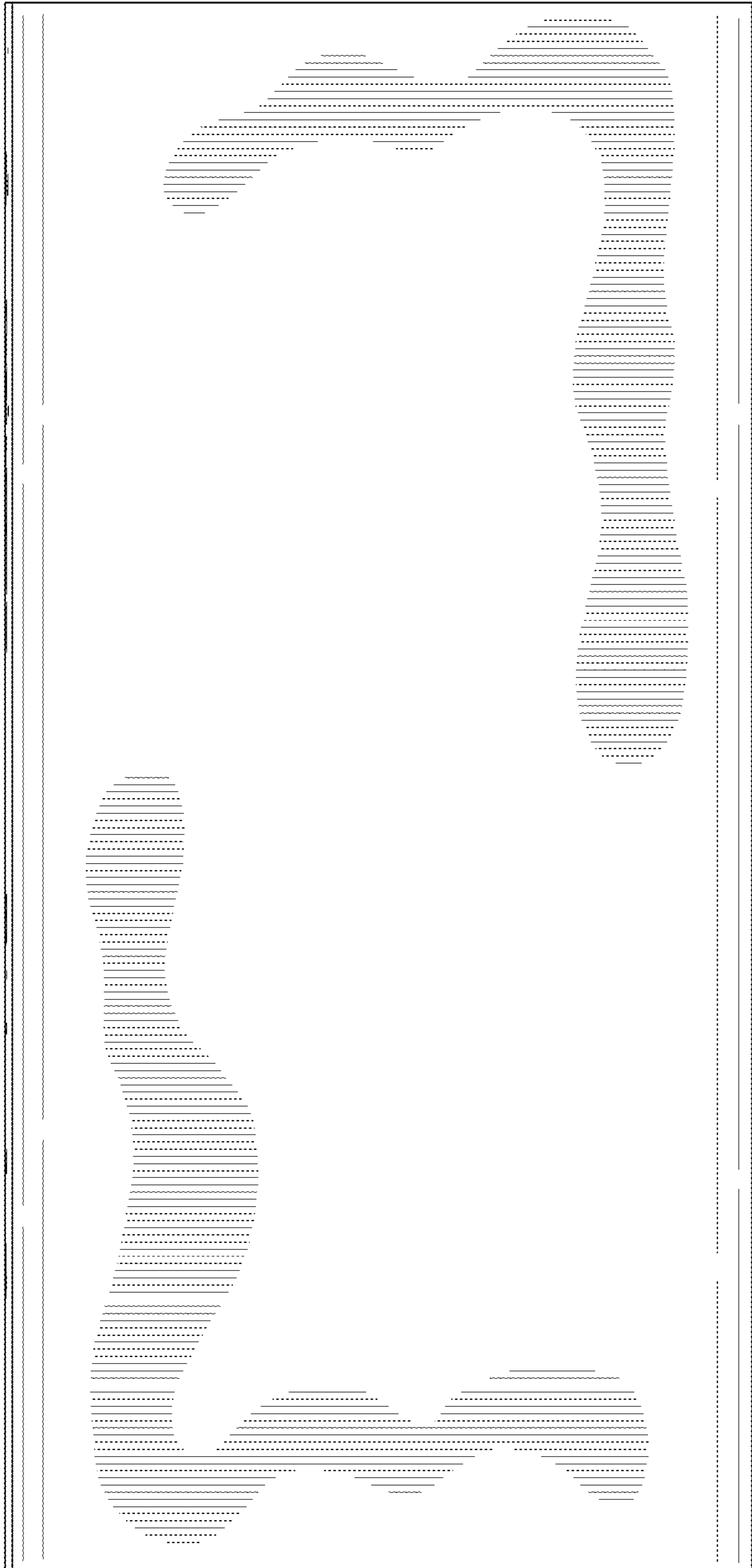


FIG-13

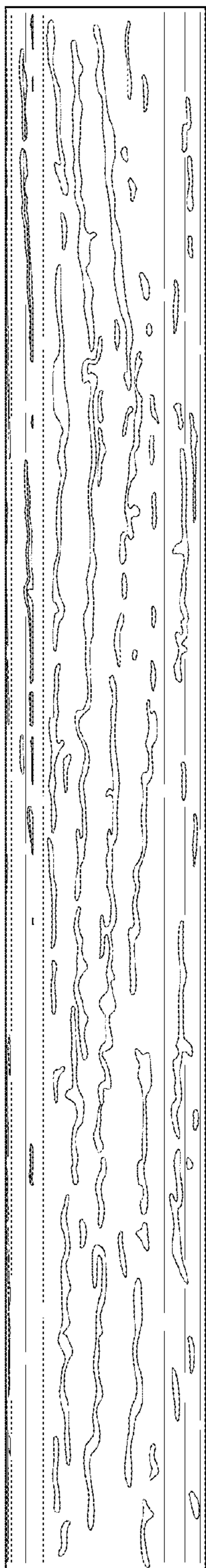


FIG-14

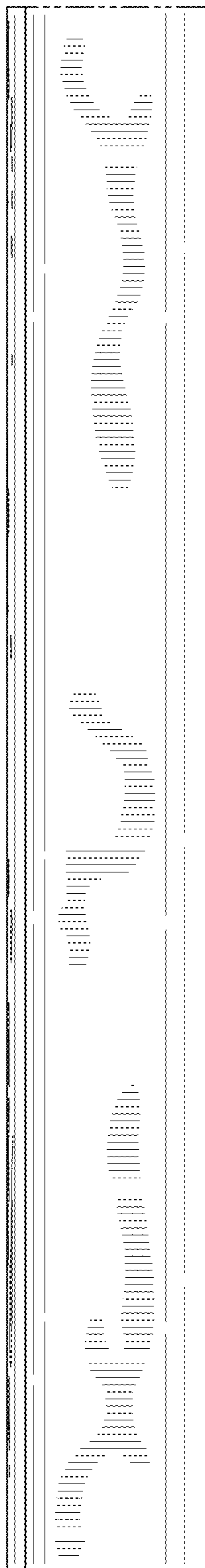


FIG-15



FIG-16