



US00D733324S

(12) **United States Design Patent**
Daniels et al.

(10) **Patent No.:** **US D733,324 S**
(45) **Date of Patent:** **** Jun. 30, 2015**

- (54) **HANDRAIL**
- (71) Applicant: **InPro Corporation**, Muskego, WI (US)
- (72) Inventors: **Janice A. Daniels**, Muskego, WI (US);
Matthew G. Bennett, New Berlin, WI (US)
- (73) Assignee: **InPro Corporation**, Muskego, WI (US)
- (**) Term: **14 Years**
- (21) Appl. No.: **29/475,658**

- (22) Filed: **Dec. 5, 2013**
- (51) **LOC (10) Cl.** **25-02**
- (52) **U.S. Cl.**
USPC **D25/38.1**; D25/41.1; D25/122; D25/119
- (58) **Field of Classification Search**
USPC D25/38.1-44, 48.5, 48.6, 119, 164,
D25/121-126, 136; 52/745.05, 716.1, 27,
52/33, 717.03-717.06, 831-857; 256/59,
256/66, 65.02-65.11, 65.15-65.73,
256/119-128, 136; 198/337, 336, 338;
248/345.1
CPC ... E04F 11/18; E04F 11/1802; E04F 11/1804;
E04F 11/1808; E04F 11/1819-11/184; E04F
2011/1868; E04F 2011/1885-2011/1893;
E04F 2011/1897; E04H 17/00; E04H
17/14-17/1421; E04H 2017/1447; E04H
2017/1452-2017/1495; E04H 17/165-17/24;
B60N 3/02; B60N 3/026; B64D 11/00
See application file for complete search history.

(56) **References Cited**

U.S. PATENT DOCUMENTS

- 1,173,398 A * 2/1916 Van Orden 52/371
- 3,930,638 A * 1/1976 Ehlinger et al. 256/39
- 4,078,773 A * 3/1978 Ellingson, Jr. 256/65.16
- 4,353,529 A * 10/1982 Brown 256/59
- D269,637 S * 7/1983 Challis D25/121
- 4,408,749 A * 10/1983 Zieg 256/67

- D291,831 S * 9/1987 Noyce D25/164
- D317,205 S * 5/1991 Johansson D25/38.1
- 5,165,643 A * 11/1992 Shreiner 248/251
- D332,149 S * 12/1992 Bartlett D25/136
- D344,141 S * 2/1994 Wonderly D25/119
- D344,807 S * 3/1994 Abbaticchio D25/38.1
- 5,427,359 A * 6/1995 Moulton 256/59
- D379,244 S * 5/1997 Wiebe D25/164
- D407,829 S * 4/1999 Collette et al. D25/119
- 5,908,185 A * 6/1999 Collette et al. 248/345.1
- 6,036,156 A * 3/2000 Collette et al. 248/345.1
- 6,270,058 B1 * 8/2001 Williams et al. 256/59
- D463,042 S * 9/2002 Perkins et al. D25/119
- D469,882 S 2/2003 Perkins et al.

(Continued)

OTHER PUBLICATIONS

Sculpted Handrails from website: www.wallguard.com/index.php?dispatch=categories.view&category_id=13, Apr. 2015, 1 page.*

Primary Examiner — Susan Moon Lee

(74) *Attorney, Agent, or Firm* — Reinhart Boerner Van Deuren s.c.

(57) **CLAIM**

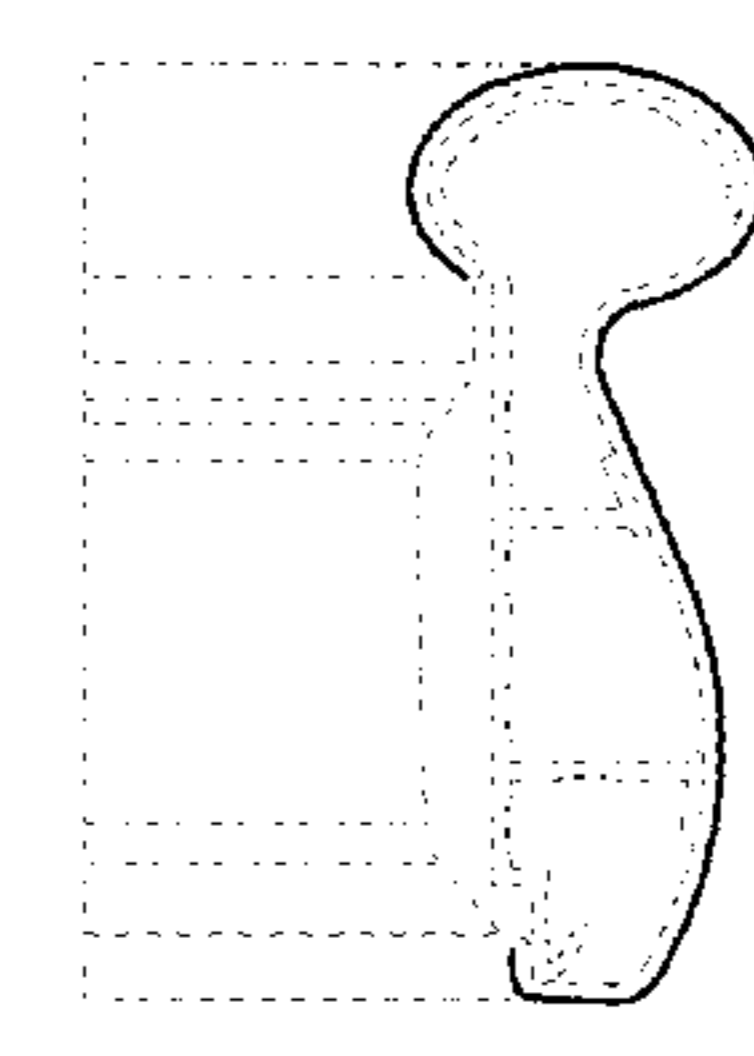
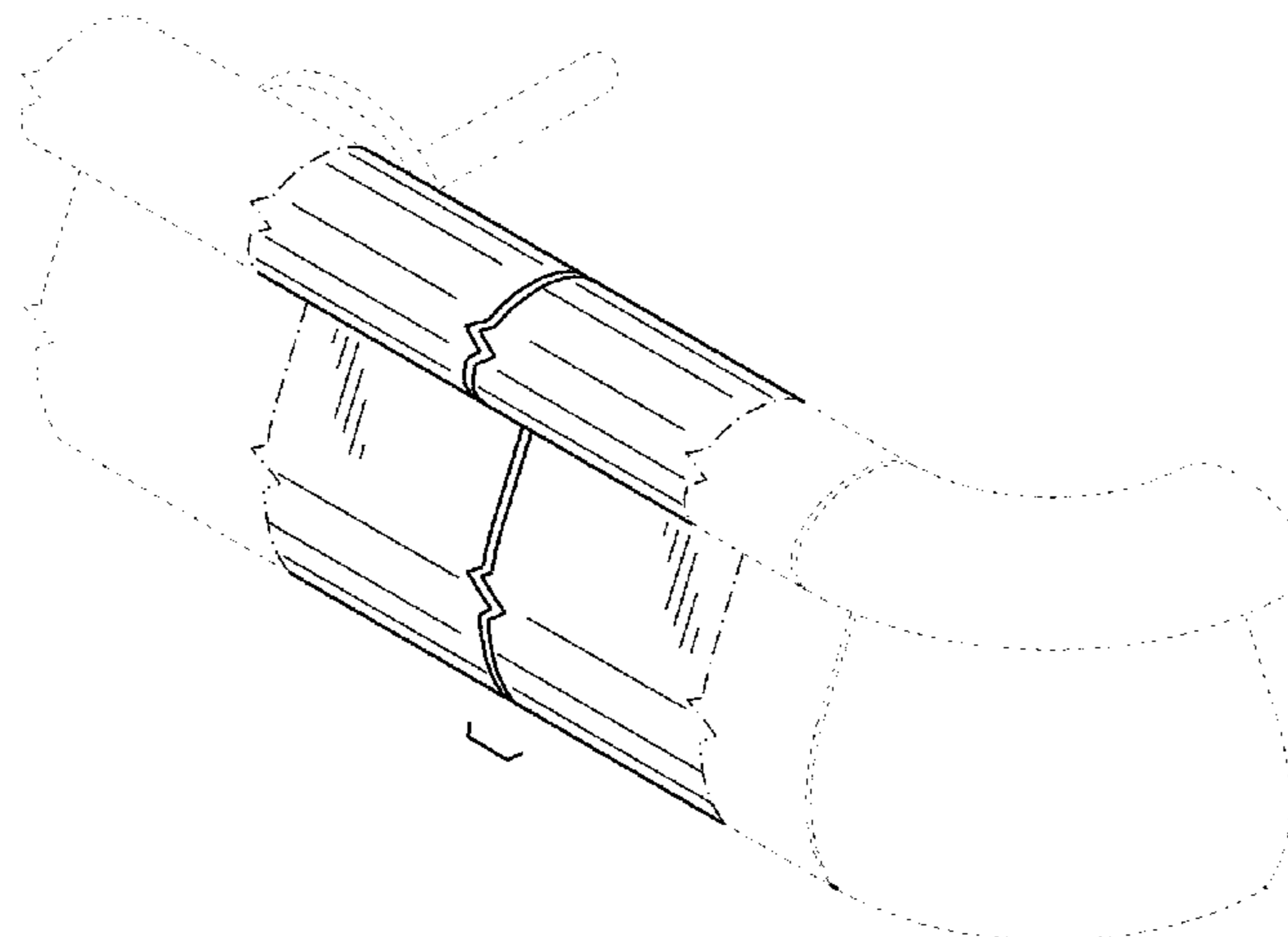
We claim the ornamental design for a handrail, as shown and described.

DESCRIPTION

FIG. 1 is a front perspective of a handrail in accordance with the present design;
 FIG. 2 is a front view thereof;
 FIG. 3 is a back view thereof;
 FIG. 4 is a right side view thereof;
 FIG. 5 is an end view taken from along lines 5-5 of FIG. 2;
 FIG. 6 is a top view of the handrail; and,
 FIG. 7 is a bottom view of the handrail.

Broken lines and unshaded portions entirely contained within broken lines are not claimed. The dot-dash lines in the drawings form a boundary of the claimed design.

1 Claim, 3 Drawing Sheets



(56)

References Cited

U.S. PATENT DOCUMENTS

6,533,251 B1 *	3/2003	Abbatichio	256/65.15	6,715,242 B1 *	4/2004	Green et al.	52/184
D479,004 S	8/2003	Perkins et al.			D499,193 S *	11/2004	Glatz	D25/136
D480,820 S	10/2003	Perkins et al.			D500,558 S *	1/2005	Bourque et al.	D25/121
D483,884 S *	12/2003	Glatz	D25/136	D500,866 S *	1/2005	Bourque et al.	D25/121
					2005/0133777 A1 *	6/2005	Forbis et al.	256/59
					2007/0012903 A1 *	1/2007	Stucky	256/59
					2013/0112932 A1 *	5/2013	Iyoda	256/59

* cited by examiner

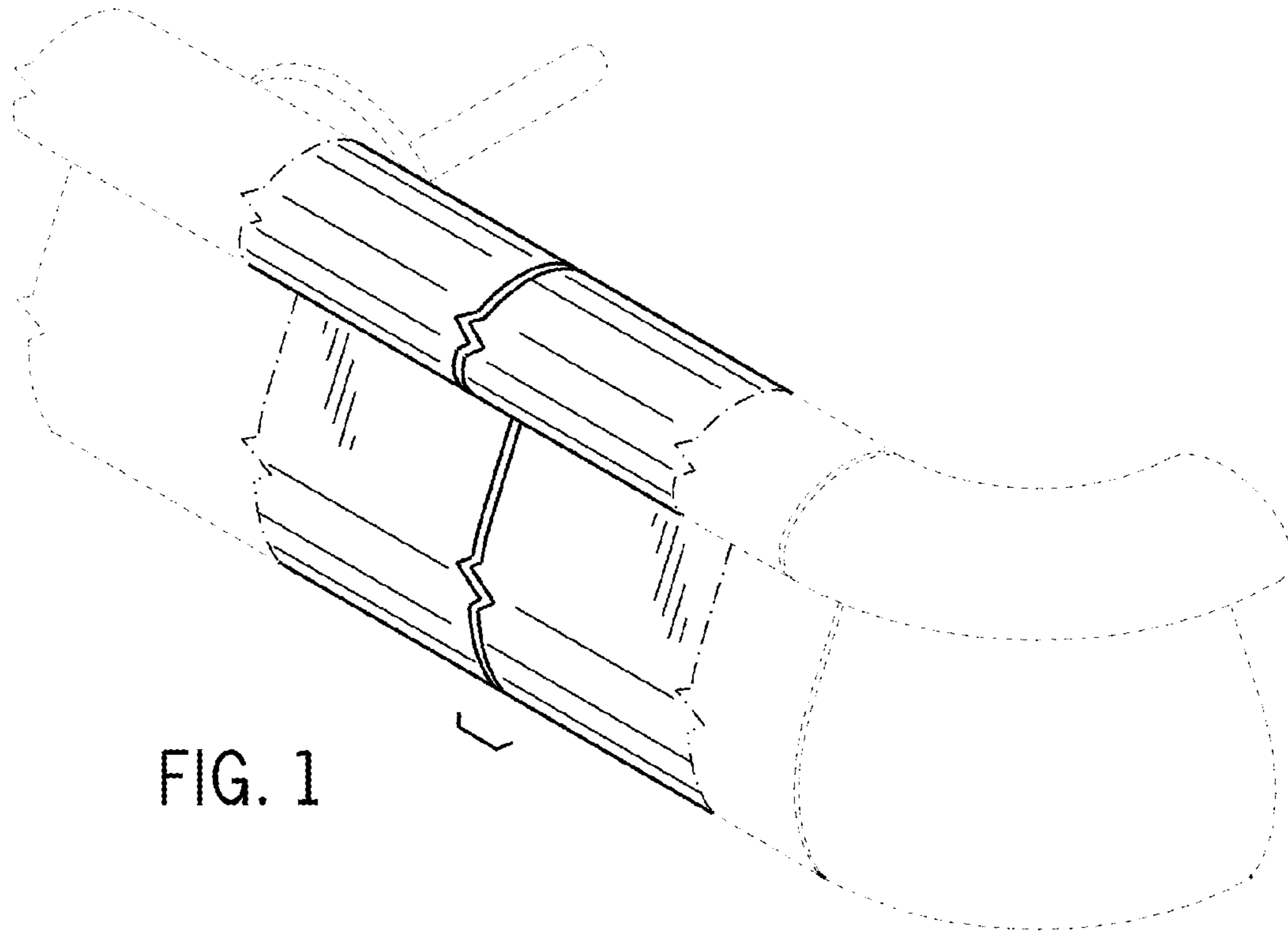


FIG. 1

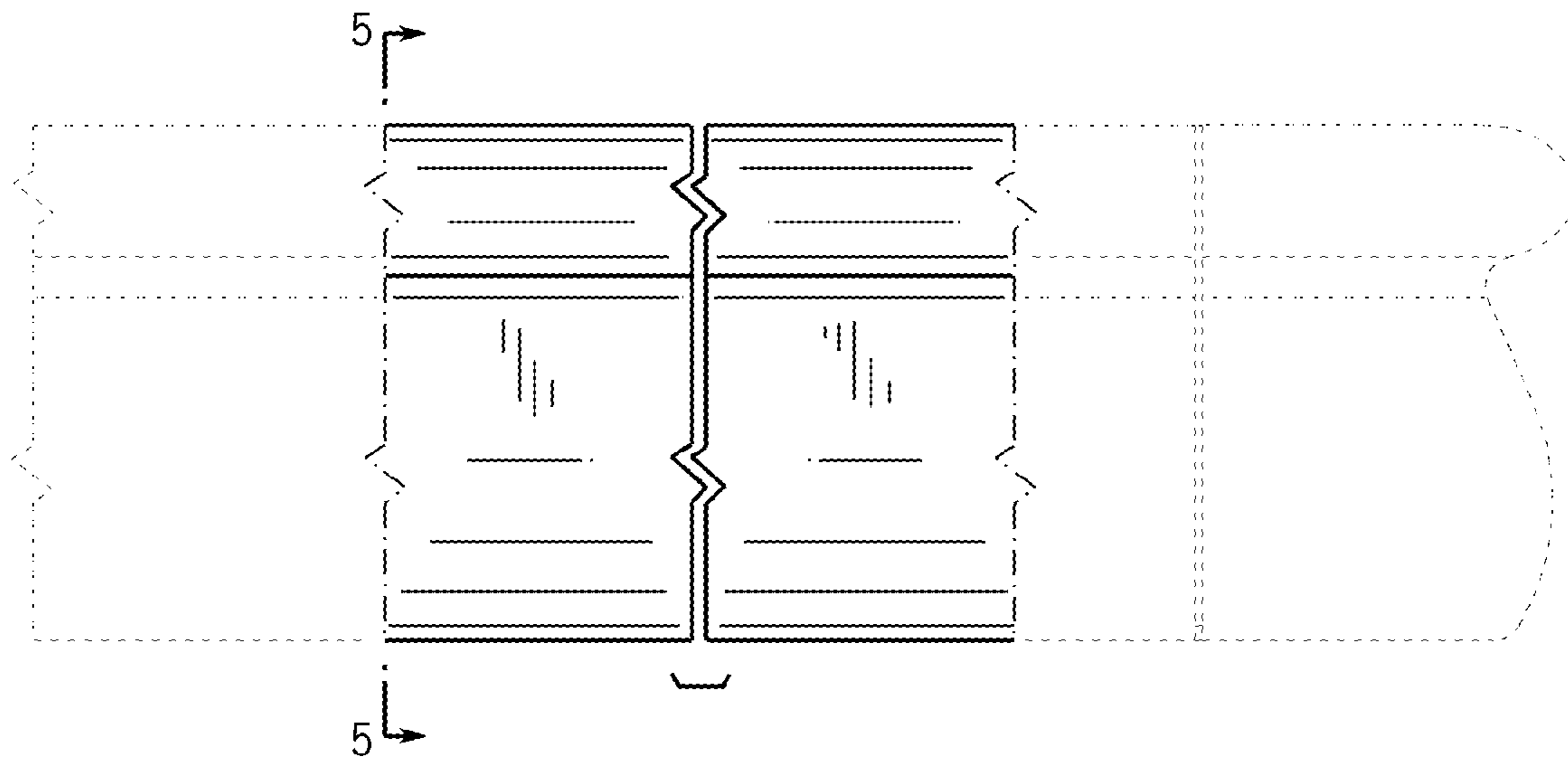


FIG. 2

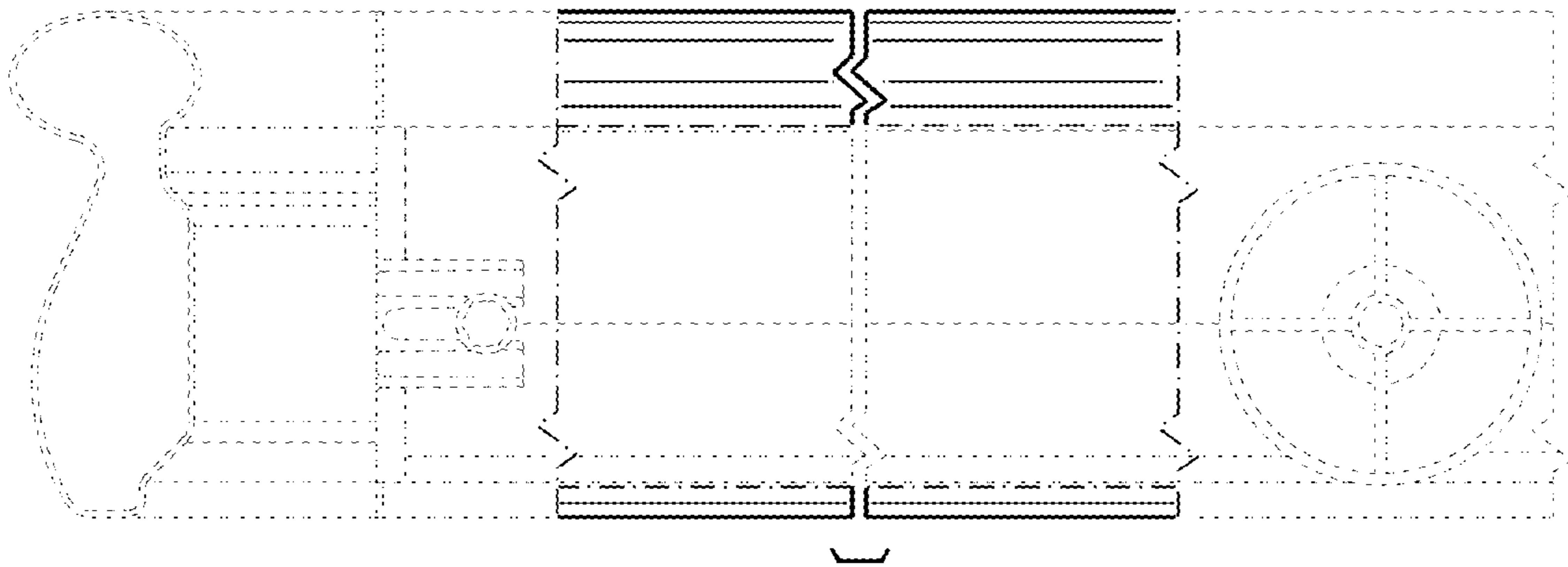


FIG. 3



FIG. 4

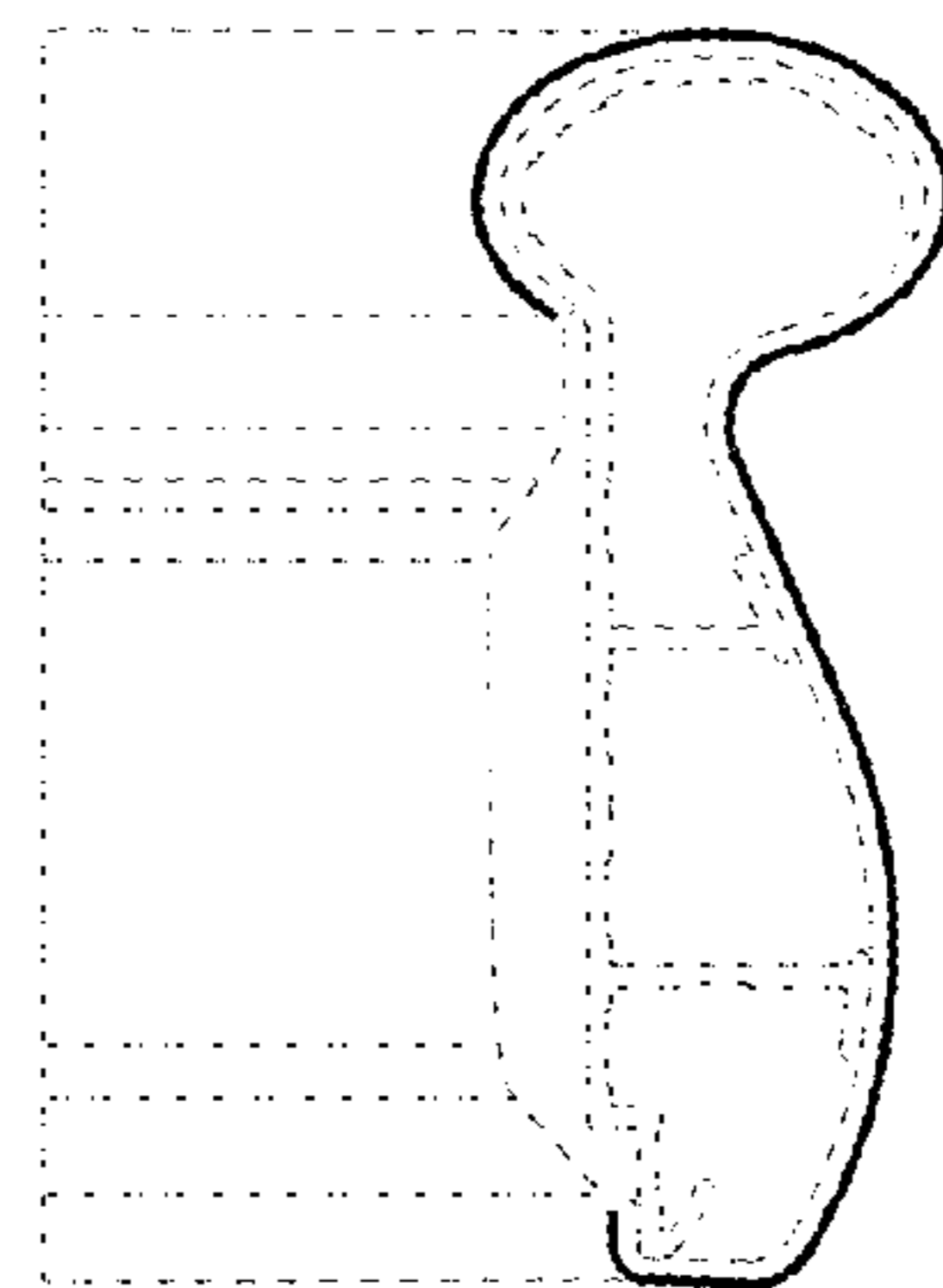


FIG. 5

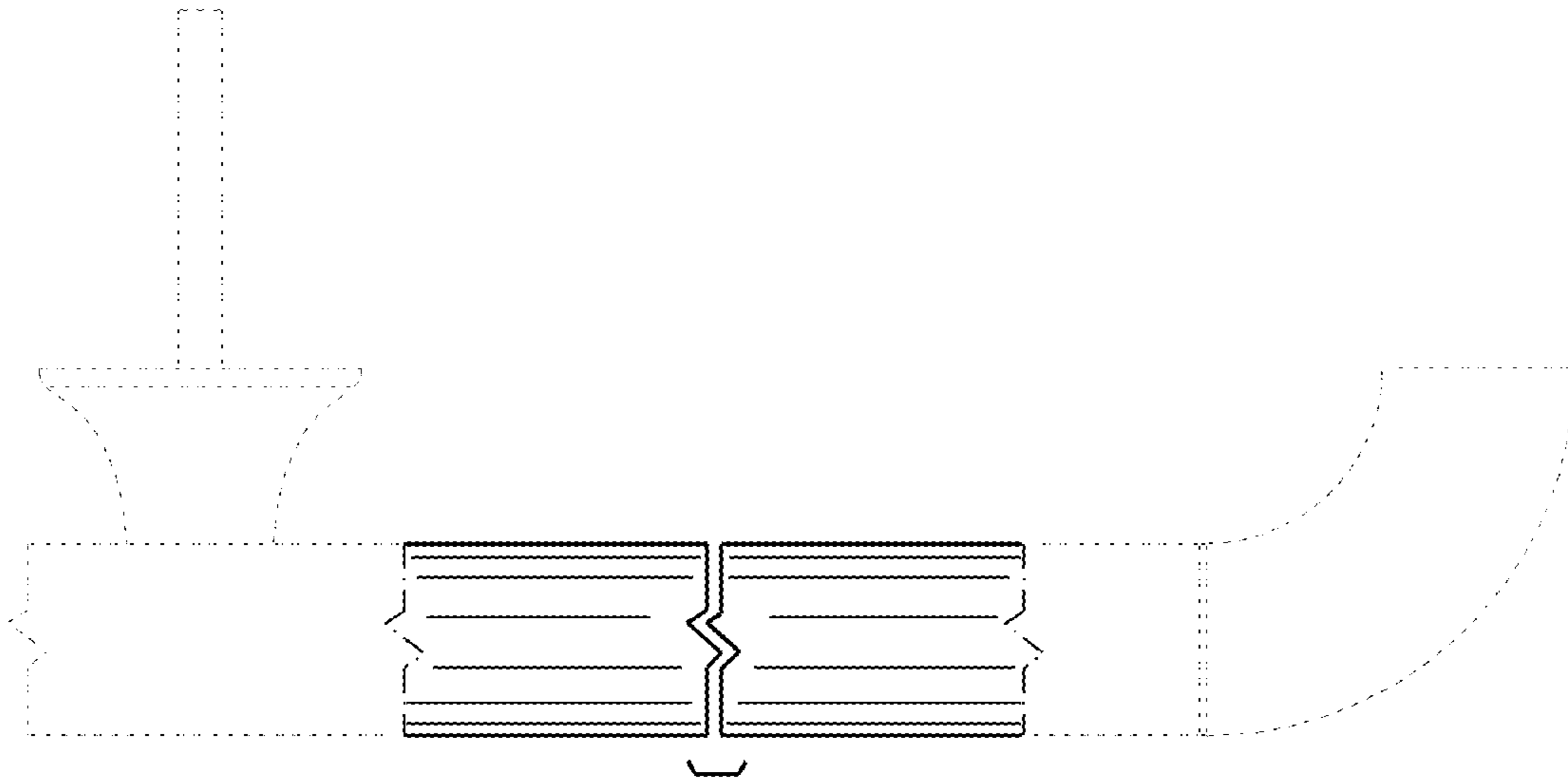


FIG. 6

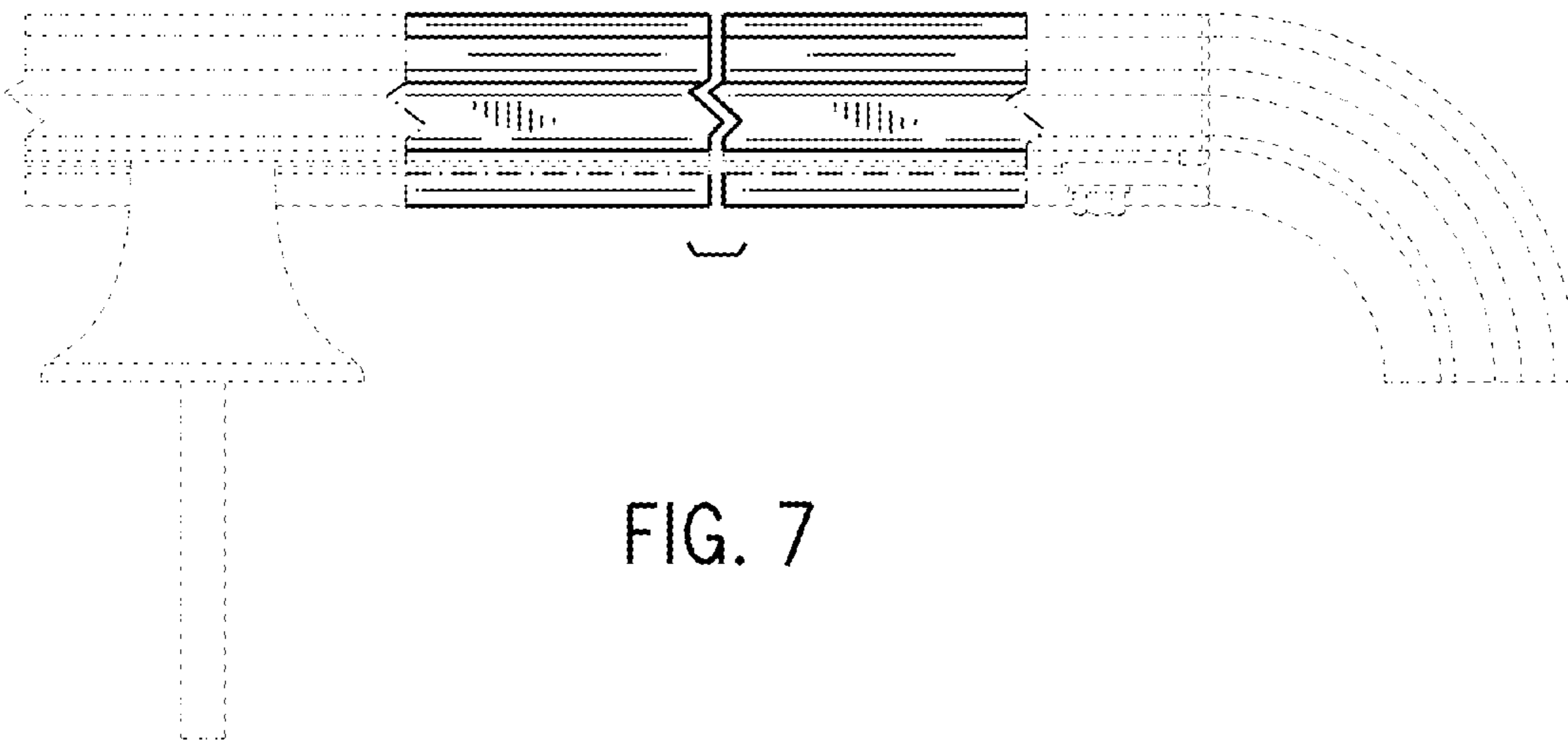


FIG. 7