



US00D733321S

(12) **United States Design Patent**
Somers et al.

(10) **Patent No.:** **US D733,321 S**
(45) **Date of Patent:** **** Jun. 30, 2015**

(54) **ULTRASONIC TREATMENT DEVICE**

FOREIGN PATENT DOCUMENTS

(71) Applicant: **Celleration, Inc.**, Eden Prairie, MN (US)

EP 0619761 B1 7/1997
EP 2103953 A1 9/2009

(Continued)

(72) Inventors: **Micah Tobias Somers**, Minneapolis, MN (US); **Brett Ryan Johnson**, Roseville, MN (US); **Kyle Adam Gudmunson**, Minneapolis, MN (US); **Ryan Glen Tetzloff**, Minnetonka, MN (US); **Doug Duchon**, Chanhassen, MN (US)

OTHER PUBLICATIONS

US Application and File History for U.S. Appl. No. 29/479,047, filed Jan. 10, 2014, inventors: Somers.

Primary Examiner — Holly Baynham

Assistant Examiner — Rhea Shields

(73) Assignee: **CELLERATION, INC.**, Eden Prairie, MN (US)

(74) *Attorney, Agent, or Firm* — Patterson Thuent Pedersen, P.A.

(**) Term: **14 Years**

(57) **CLAIM**

We claim the ornamental design for an ultrasonic treatment device, as shown and described.

(21) Appl. No.: **29/479,049**

DESCRIPTION

(22) Filed: **Jan. 10, 2014**

(51) **LOC (10) Cl.** **24-00**

(52) **U.S. Cl.**
USPC **D24/234**

(58) **Field of Classification Search**
USPC D24/231, 187, 107, 133, 186, 206, 145, D24/160, 185, 158; 600/446, 461, 407, 459, 600/441, 439, 437; 378/98.7, 98.8, 89, 378/98.12

See application file for complete search history.

FIG. 1 is a front corner perspective view of an ultrasonic treatment device according to an embodiment of the invention.

FIG. 2 is a top plan view of the ultrasonic treatment device according to an embodiment of the invention.

FIG. 3 is a bottom view of the ultrasonic treatment device according to an embodiment of the invention.

FIG. 4 is a front elevational view of the ultrasonic treatment device according to an embodiment of the invention.

FIG. 5 is a rear elevational view of the ultrasonic treatment device according to an embodiment of the invention.

FIG. 6 is a right side elevational view of the ultrasonic treatment device according to an embodiment of the invention.

FIG. 7 is a left side elevational view of the ultrasonic treatment device according to an embodiment of the invention; and,

FIG. 8 is a front corner perspective view of the ultrasonic treatment device in a stored configuration according to an embodiment of the invention.

In the drawings, the broken lines depict unclaimed subject matter only and form no part of the claimed design.

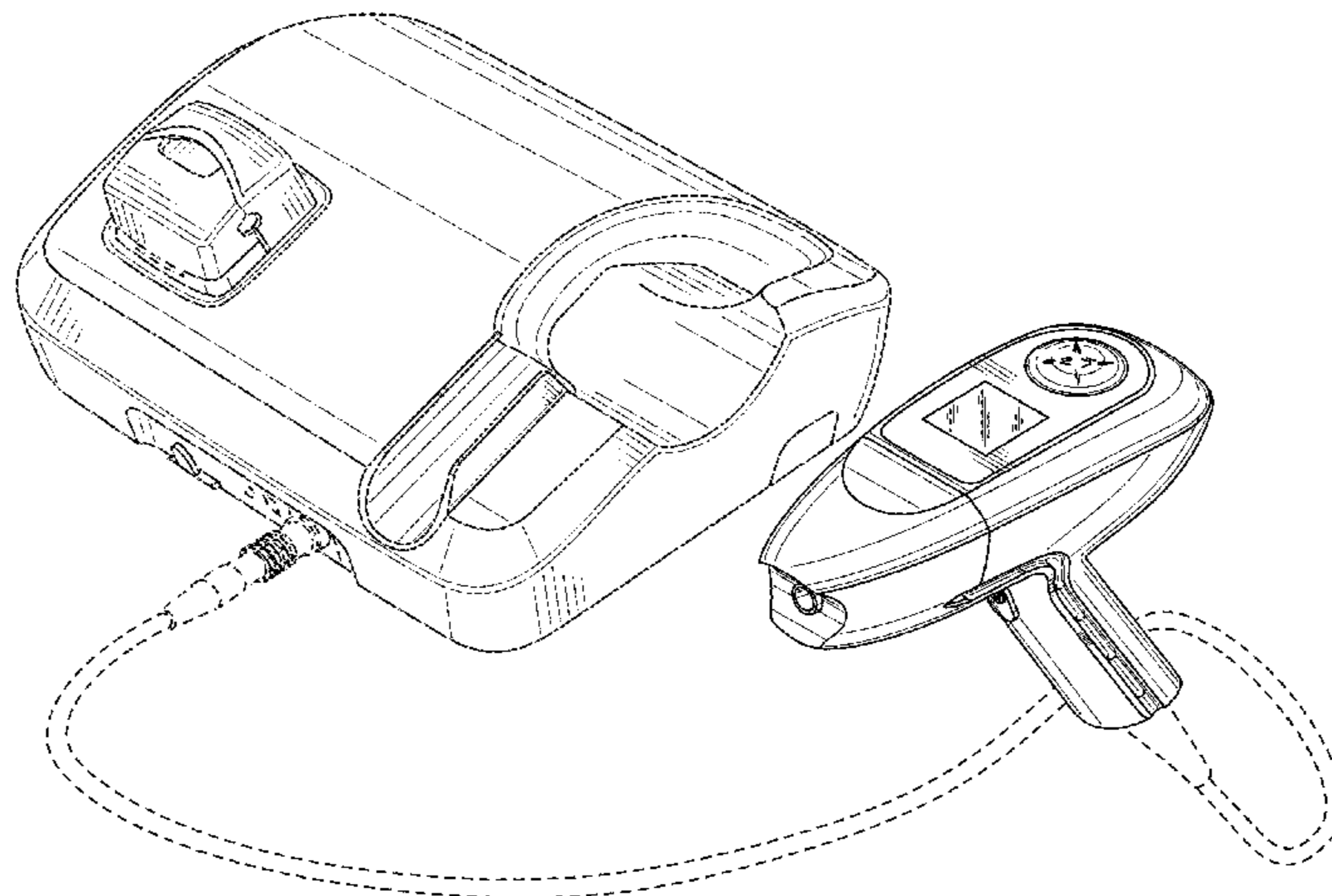
(56) **References Cited**

U.S. PATENT DOCUMENTS

5,255,682	A *	10/1993	Pawluskiewicz et al.	600/459
5,578,060	A	11/1996	Pohl et al.		
D381,750	S	7/1997	Sasady		
D392,044	S	3/1998	Mesaros		
5,904,659	A	5/1999	Duarte et al.		
D425,980	S	5/2000	Last		
6,063,108	A	5/2000	Salansky et al.		
6,190,336	B1	2/2001	Duarte et al.		
6,273,864	B1	8/2001	Duarte et al.		
D454,954	S *	3/2002	Cannon et al.	D24/160

(Continued)

1 Claim, 8 Drawing Sheets



(56)

References Cited

U.S. PATENT DOCUMENTS

6,478,754 B1 11/2002 Babaev
 6,480,796 B2 11/2002 Wiener
 6,494,900 B1 12/2002 Salansky et al.
 6,533,803 B2 3/2003 Babaev
 6,569,099 B1 5/2003 Babaev
 D478,986 S 8/2003 Johnston
 6,623,444 B2 9/2003 Babaev
 6,663,554 B2 12/2003 Babaev
 6,678,621 B2 1/2004 Wiener et al.
 6,685,656 B1 2/2004 Duarte et al.
 6,761,729 B2 7/2004 Babaev
 D509,900 S * 9/2005 Barnes et al. D24/160
 6,960,173 B2 11/2005 Babaev
 6,964,647 B1 11/2005 Babaev
 D536,444 S 2/2007 Bacher
 7,179,271 B2 2/2007 Friedman et al.
 D538,432 S * 3/2007 Diener et al. D24/160
 D550,365 S 9/2007 Kitayama
 D550,366 S * 9/2007 Zhou D24/186
 7,336,765 B1 * 2/2008 Amiton et al. 378/98.12
 7,431,704 B2 10/2008 Babaev
 7,554,343 B2 6/2009 Bromfield
 D596,299 S 7/2009 Han
 7,628,764 B2 12/2009 Duarte et al.
 D614,307 S 4/2010 Drbal
 7,713,218 B2 5/2010 Babaev et al.
 7,785,277 B2 8/2010 Babaev et al.
 D623,754 S 9/2010 Tuhkanen
 D626,236 S * 10/2010 Ninomiya et al. D24/185
 D631,965 S 2/2011 Price
 7,878,991 B2 2/2011 Babaev
 D634,435 S 3/2011 Chua
 7,914,470 B2 3/2011 Babaev
 D637,291 S * 5/2011 Wu et al. D24/158
 D639,434 S * 6/2011 Wodecki et al. D24/160
 8,025,672 B2 9/2011 Novak et al.
 D662,208 S * 6/2012 Otoha et al. D24/185
 8,235,919 B2 8/2012 Babaev
 8,241,324 B2 8/2012 Babaev et al.
 8,258,886 B2 9/2012 Gilbert
 8,277,471 B2 10/2012 Wiener et al.

8,308,721 B2 11/2012 Shibata et al.
 8,394,028 B2 * 3/2013 Satoh et al. 600/459
 8,574,160 B2 * 11/2013 Gorzitze 600/461
 D704,333 S 5/2014 Casey
 D704,341 S 5/2014 Ryu
 D704,844 S 5/2014 Saeki
 D705,433 S 5/2014 Ran
 2002/0016557 A1 2/2002 Duarte et al.
 2002/0082666 A1 6/2002 Babaev
 2002/0143256 A1 * 10/2002 Wing et al. 600/459
 2002/0156400 A1 10/2002 Babaev
 2002/0190136 A1 12/2002 Babaev
 2003/0018255 A1 1/2003 Martin et al.
 2003/0153961 A1 8/2003 Babaev
 2004/0186384 A1 9/2004 Babaev
 2006/0025716 A1 2/2006 Babaev
 2006/0058710 A1 3/2006 Babaev
 2007/0016110 A1 1/2007 Babaev et al.
 2007/0088245 A1 4/2007 Babaev et al.
 2007/0213645 A1 9/2007 Zumeris et al.
 2007/0232962 A1 10/2007 Zumeris et al.
 2008/0051693 A1 2/2008 Babaev
 2008/0058648 A1 3/2008 Novak et al.
 2008/0249406 A1 * 10/2008 Naruse 600/437
 2008/0306501 A1 12/2008 Babaev
 2009/0024076 A1 1/2009 Babaev
 2009/0099485 A1 4/2009 Sarvazyan et al.
 2010/0125292 A1 5/2010 Wiener et al.
 2010/0234734 A1 * 9/2010 Cho 600/459
 2010/0292573 A1 11/2010 Tanaka
 2010/0324418 A1 12/2010 El-Aklouk
 2011/0172591 A1 7/2011 Babaev
 2012/0283605 A1 11/2012 Lewis
 2014/0066778 A1 * 3/2014 Nishiwaki 600/459
 2014/0155747 A1 * 6/2014 Bennett et al. 600/439

FOREIGN PATENT DOCUMENTS

EP 2438874 A1 4/2012
 WO WO 99/66961 A1 12/1999
 WO WO 02/24150 A2 3/2002
 WO WO 2005/105175 A1 11/2005

* cited by examiner

Fig. 1

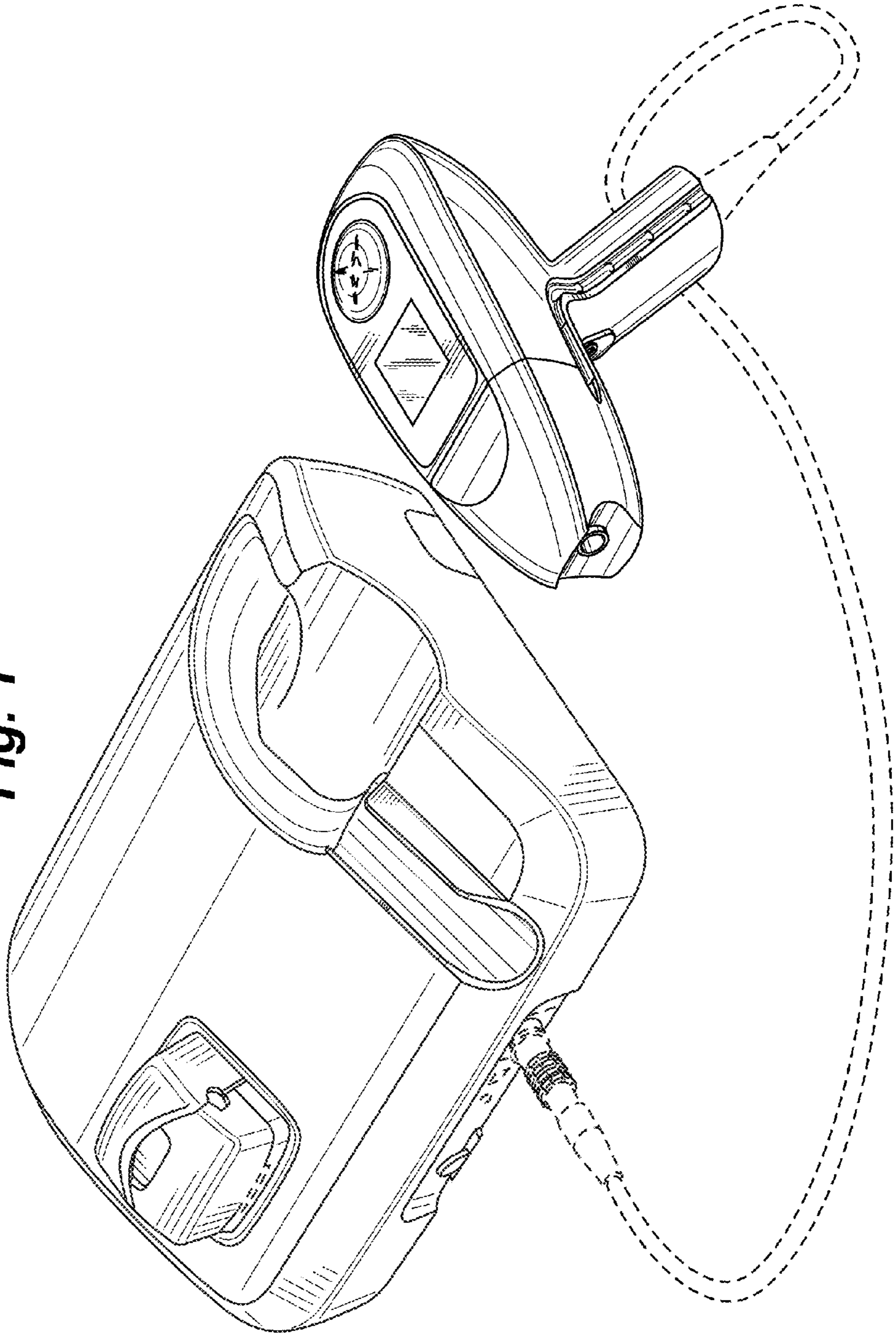


Fig. 2

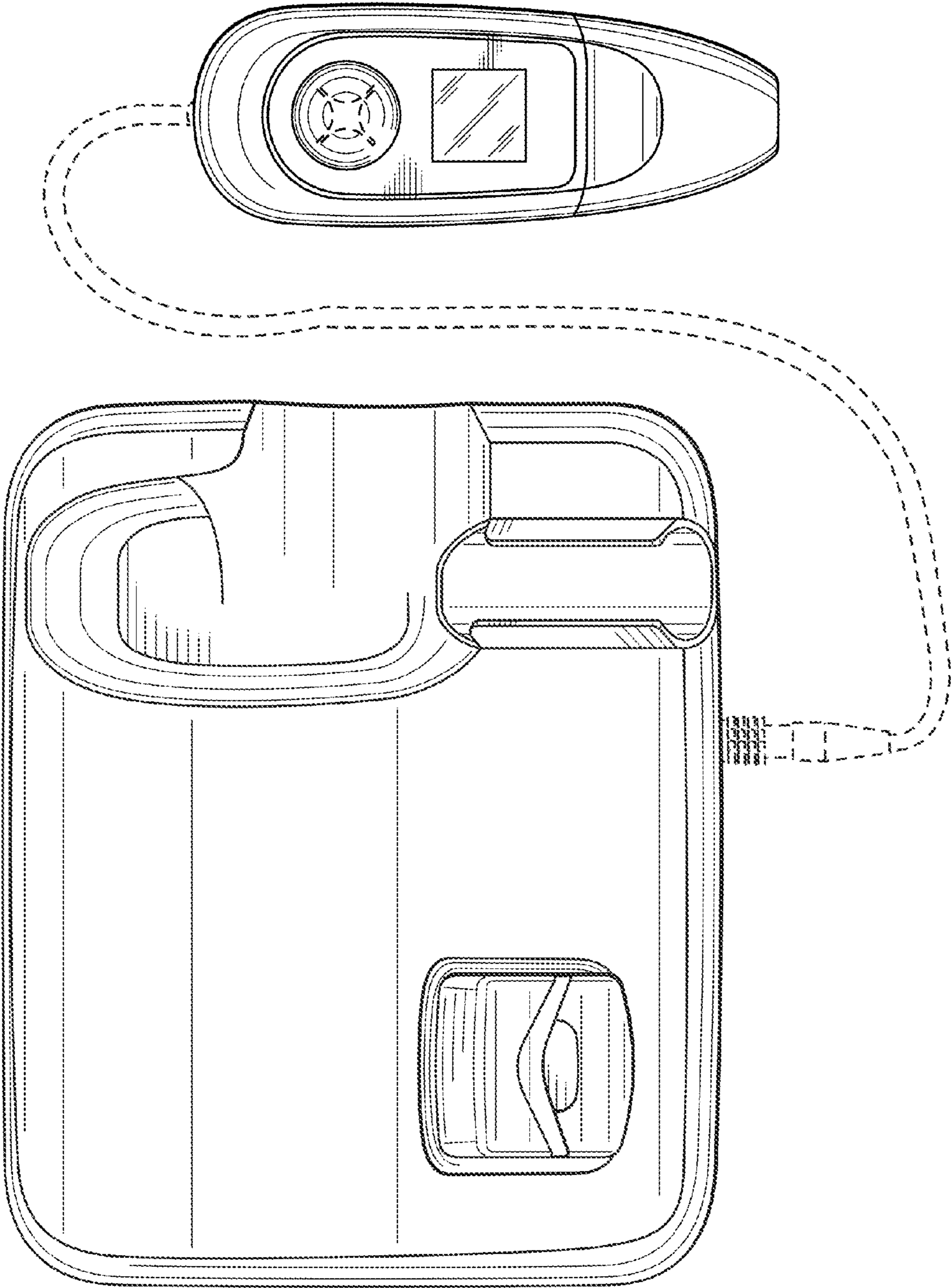


Fig. 3

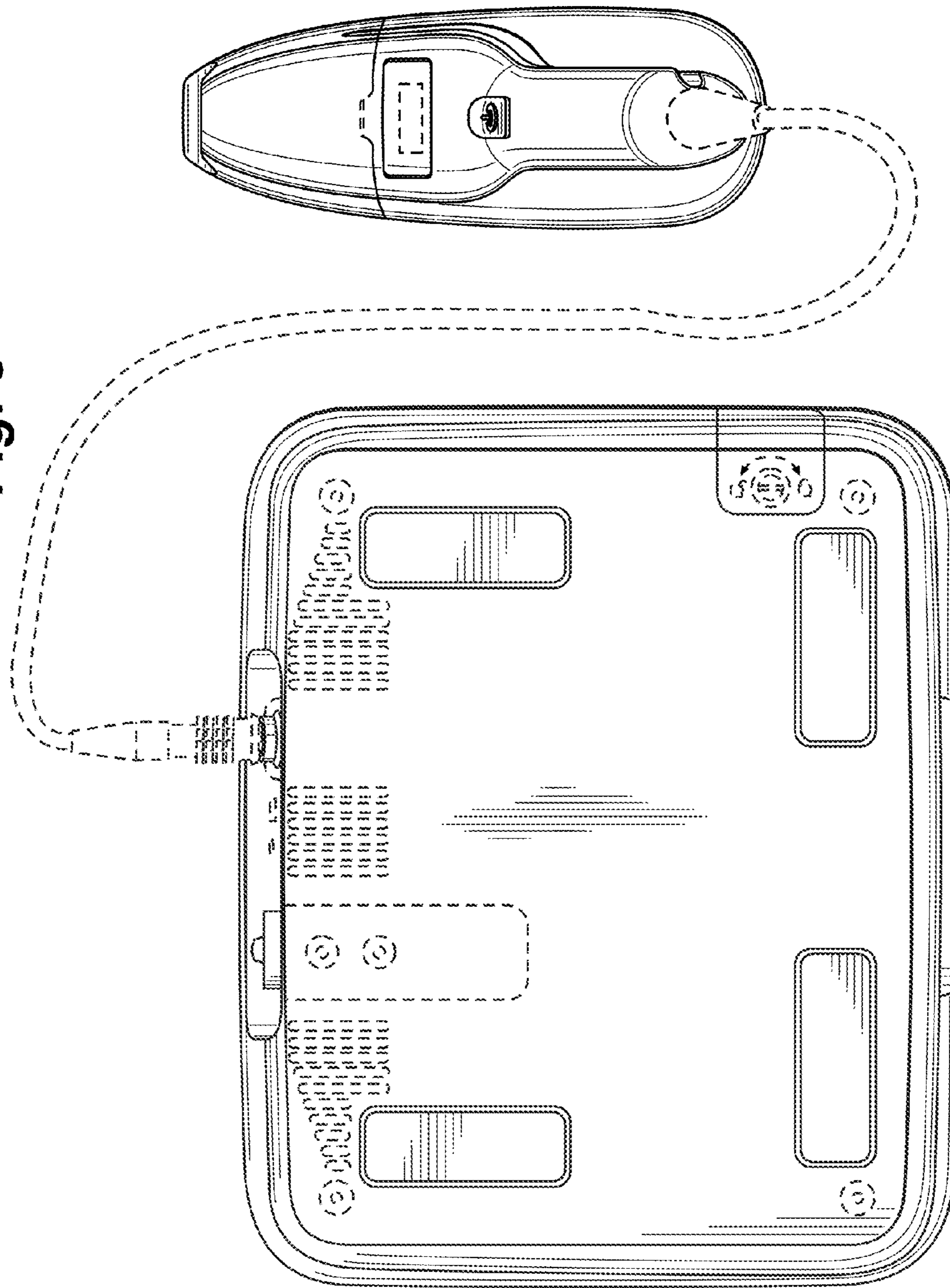


Fig. 4

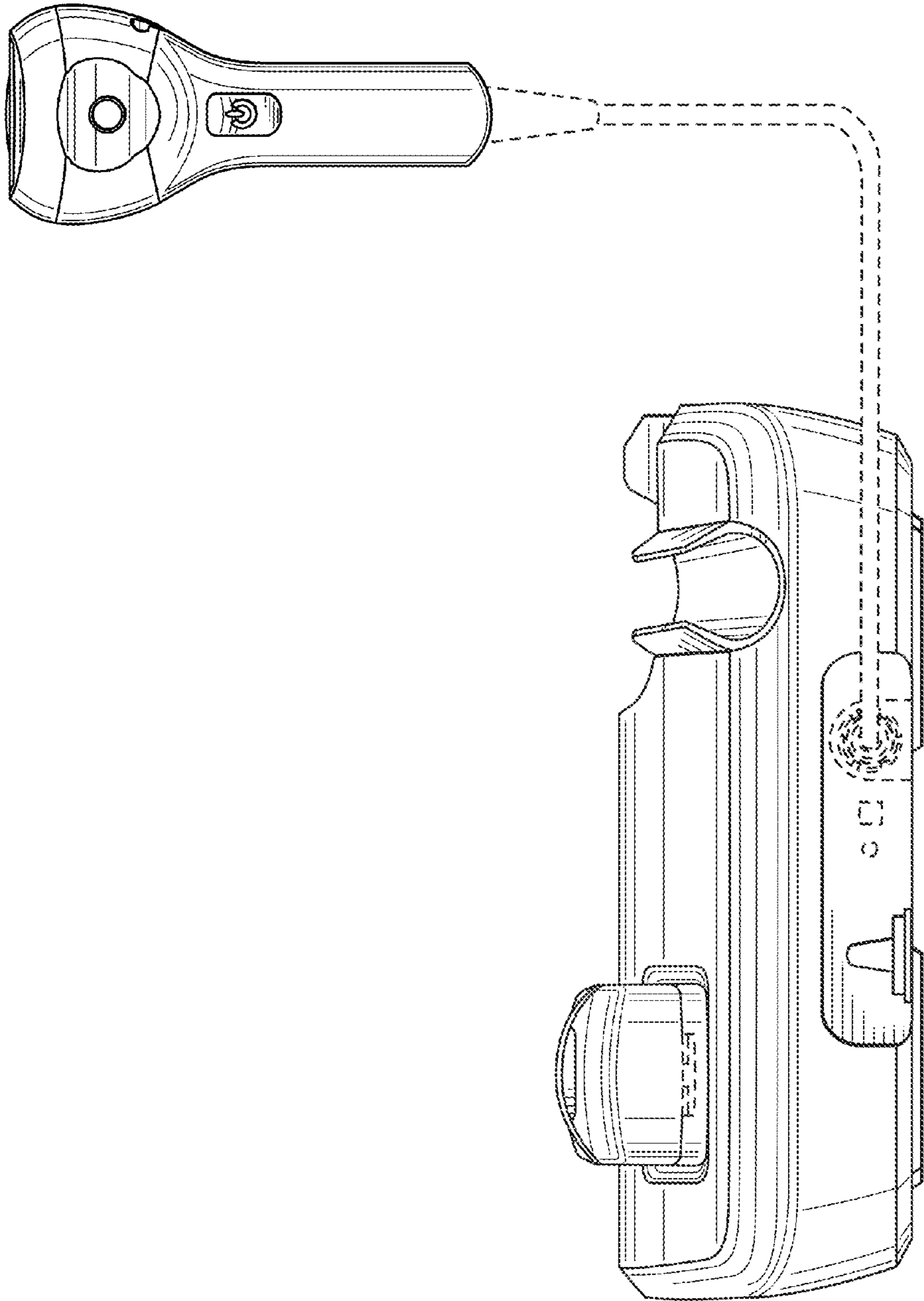
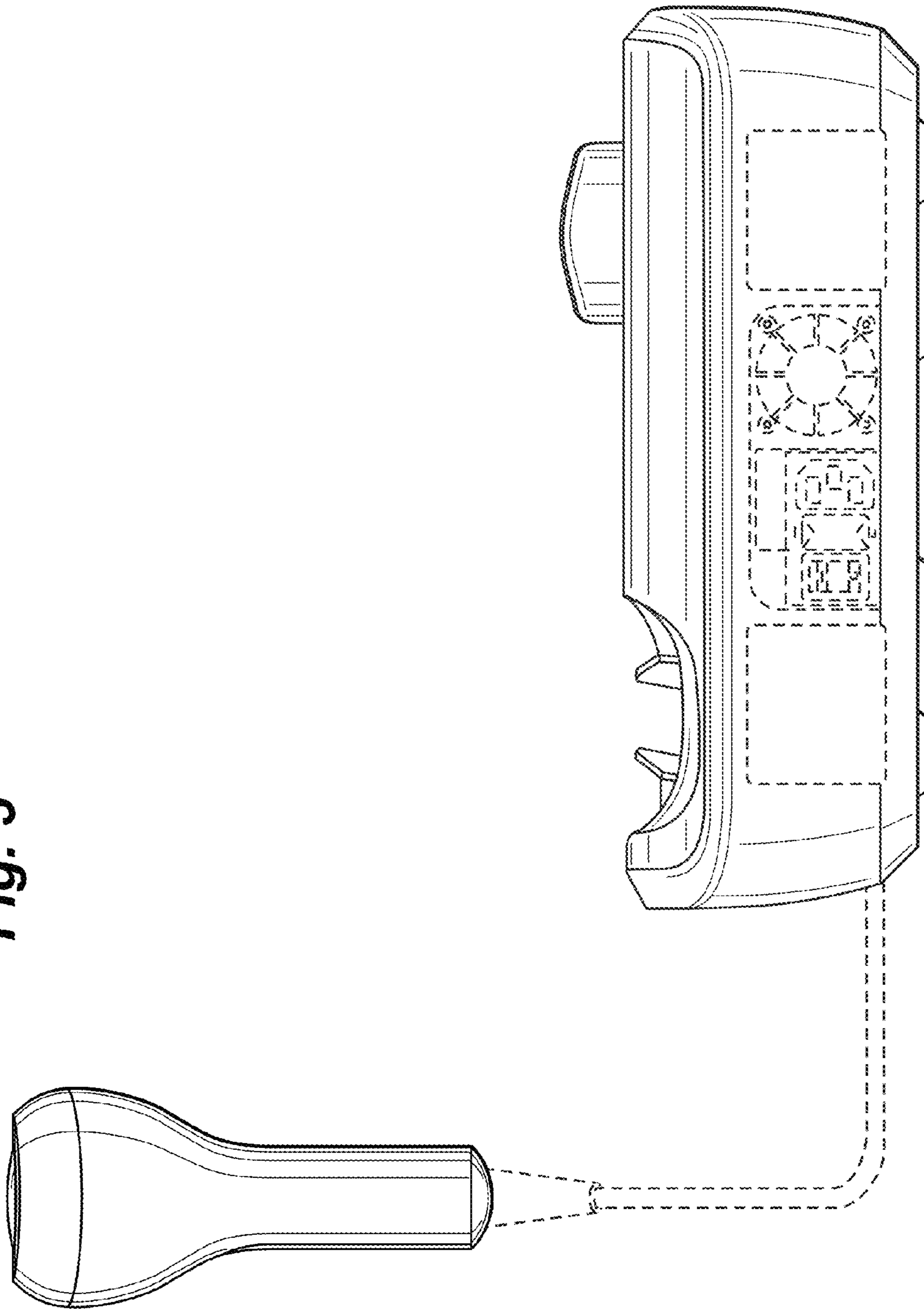


Fig. 5



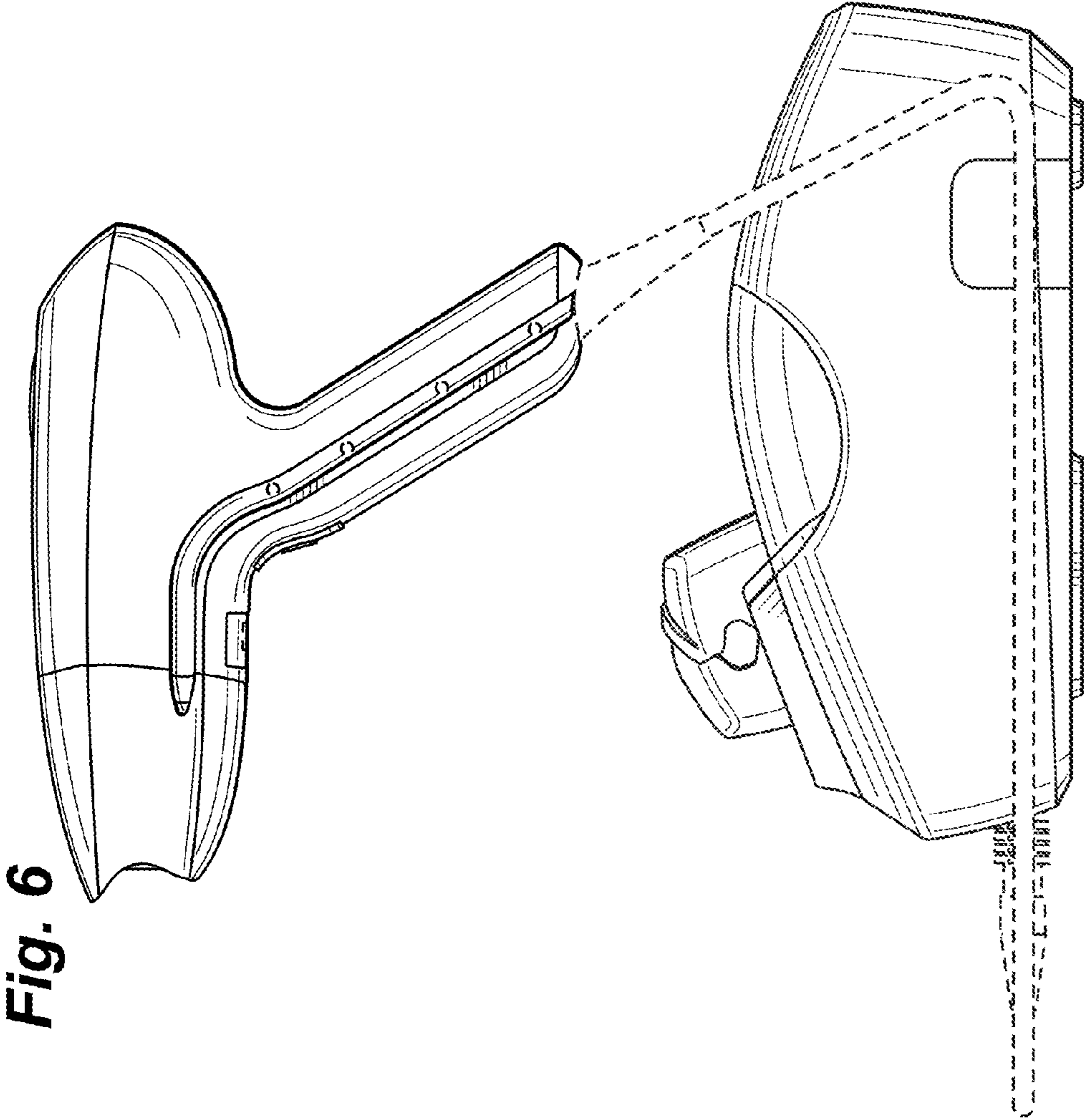


Fig. 6

Fig. 7

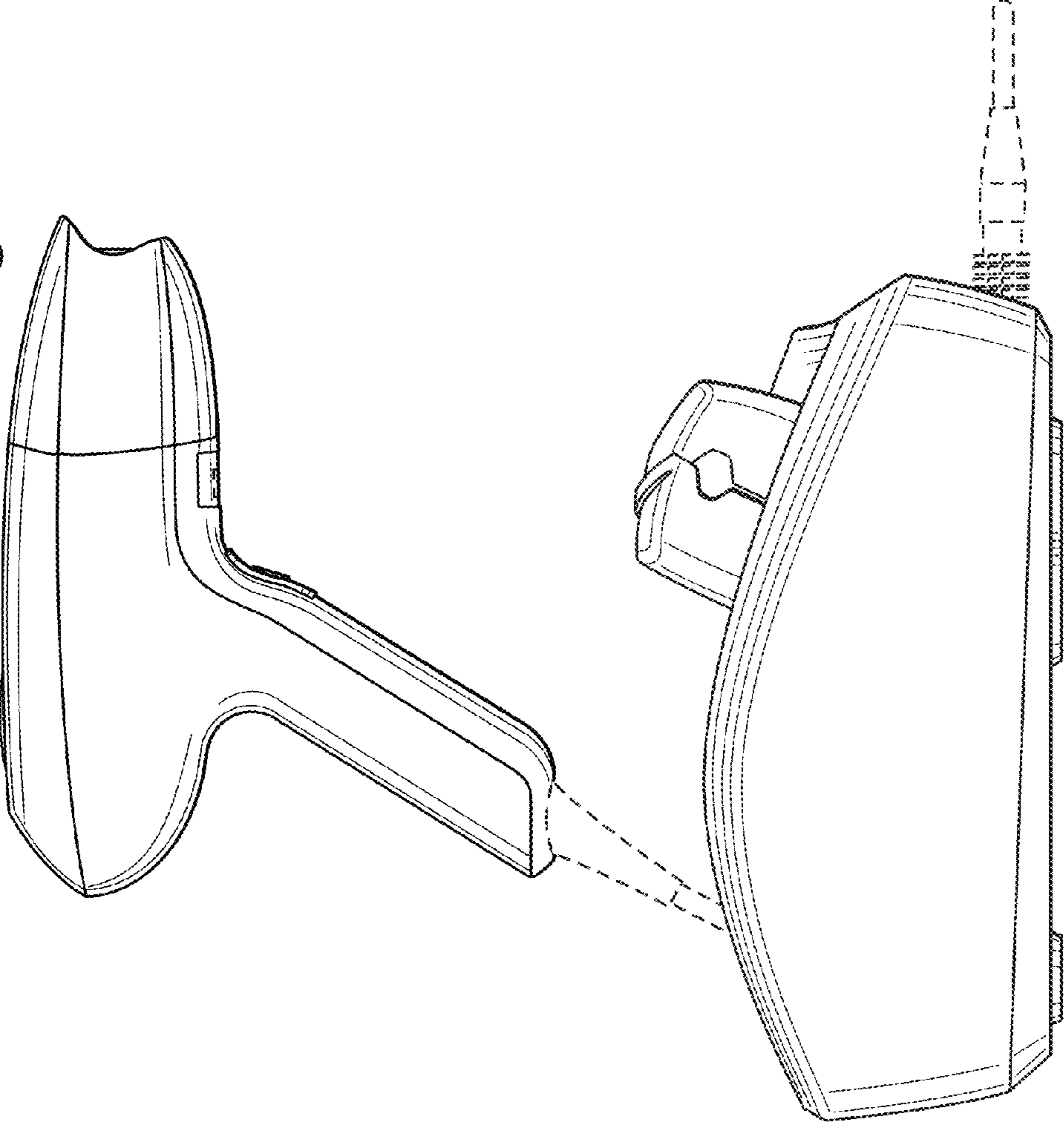


Fig. 8

