



US00D733320S

(12) **United States Design Patent**
Perry et al.

(10) **Patent No.:** **US D733,320 S**
(45) **Date of Patent:** **** Jun. 30, 2015**

(54) **CONTAINER**

- (71) Applicant: **ABBOTT LABORATORIES**, Abbott Park, IL (US)
- (72) Inventors: **James P. Perry**, Westerville, OH (US); **Jeremy McBroom**, Columbus, OH (US); **Bryan Eliot Rolfs**, Chicago, IL (US)
- (73) Assignee: **Abbott Laboratories**, Abbott Park, IL (US)
- (**) Term: **14 Years**

- (21) Appl. No.: **29/470,645**
- (22) Filed: **Oct. 23, 2013**

Related U.S. Application Data

- (63) Continuation of application No. PCT/US2013/038468, filed on Apr. 26, 2013.
- (51) **LOC (10) Cl.** **24-01**
- (52) **U.S. Cl.**
USPC **D24/232; D24/231**
- (58) **Field of Classification Search**
USPC D24/232, 121, 132, 216, 224, 231;
D10/81; D7/538, 601, 604, 606;
D9/503-504, 560, 566, 414, 435-436,
D9/445; 220/200, 254.3; 422/547, 550,
422/561, 565; 435/305.3, 305.4
See application file for complete search history.

(56) **References Cited**

U.S. PATENT DOCUMENTS

- 711,452 A 10/1902 Meyer
 - 2,648,097 A 8/1953 Kritchever
- (Continued)

FOREIGN PATENT DOCUMENTS

- CN 2936980 8/2007
 - CN 201144030 11/2008
- (Continued)

OTHER PUBLICATIONS

International Search Report for PCT/US2007/088793 dated Jun. 10, 2008.

(Continued)

Primary Examiner — Wan Laymon

(74) *Attorney, Agent, or Firm* — Calfee, Halter & Griswold LLP

(57) **CLAIM**

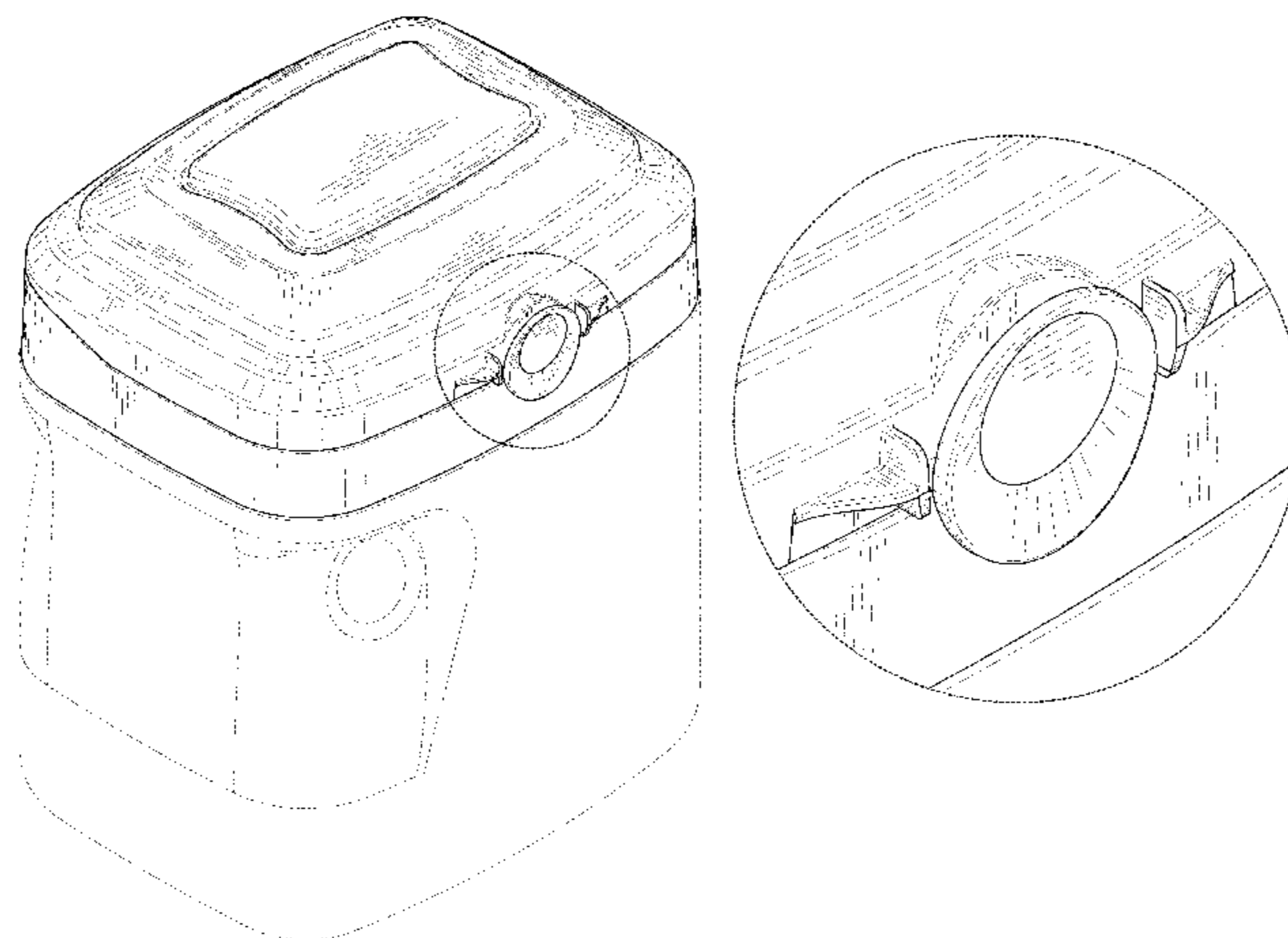
We claim the ornamental design for a container, as shown and described.

DESCRIPTION

FIG. 1 is a top perspective view of a container showing the new design;
 FIG. 2 is a bottom perspective view of the container of FIG. 1;
 FIG. 3 is a front view of the container of FIG. 1;
 FIG. 4 is a rear view of the container of FIG. 1;
 FIG. 5 is a right side elevational view of the container of FIG. 1;
 FIG. 6 is a left side elevational view of the container of FIG. 1;
 FIG. 7 is a top plan view of the container of FIG. 1;
 FIG. 8 is a bottom plan view of the container of FIG. 1;
 FIG. 9 is a top perspective view of a container of FIG. 1, showing the lid of the container in an open position;
 FIG. 10 is a top plan view of a container of FIG. 1, showing the lid of the container in an open position;
 FIG. 11 is an enlarged view of the designated circular area of FIG. 1;
 FIG. 12 is an enlarged view of the designated circular area of FIG. 5;
 FIG. 13 is an enlarged view of the designated circular area of FIG. 9;
 FIG. 14 is an enlarged view of the designated circular area of FIG. 9; and,
 FIG. 15 is an enlarged view of the designated circular area of FIG. 10.

The broken lines shown in the figures represent portions of the container that form no part of the claimed design.

1 Claim, 12 Drawing Sheets



(56)

References Cited

U.S. PATENT DOCUMENTS

3,038,624 A 6/1962 Wieckmann
 3,187,920 A 6/1965 Dorn
 3,338,468 A 8/1967 Wilson
 3,613,964 A 10/1971 Gronemeyer
 3,966,082 A 6/1976 Hopkins
 4,000,816 A 1/1977 Spruyt
 4,089,433 A 5/1978 Jonsson
 4,095,716 A 6/1978 Meany
 4,293,079 A 10/1981 Lytle
 4,321,922 A 3/1982 Deaton
 4,408,698 A 10/1983 Ballester
 4,577,775 A 3/1986 Kresin
 4,727,999 A 3/1988 Gach
 4,736,870 A 4/1988 Christensson
 4,883,193 A 11/1989 Christensson
 4,917,261 A * 4/1990 Borst D7/538
 4,971,220 A 11/1990 Kaufman et al.
 5,046,659 A 9/1991 Warburton
 5,050,763 A 9/1991 Christensson
 5,065,887 A 11/1991 Schuh et al.
 5,078,296 A 1/1992 Amidzich
 5,145,088 A 9/1992 Goujon
 5,204,130 A 4/1993 McDevitt et al.
 5,219,087 A 6/1993 Christensson
 D339,639 S * 9/1993 Ohnuma et al. D24/232
 5,305,900 A 4/1994 Maguire et al.
 5,322,178 A 6/1994 Foos
 5,337,911 A 8/1994 Holub
 5,353,946 A 10/1994 Behrend
 5,366,104 A 11/1994 Armstrong
 5,383,558 A 1/1995 Wilkinson et al.
 5,429,833 A 7/1995 Wyslotsky
 5,515,993 A 5/1996 McManus
 5,518,152 A 5/1996 Burcham et al.
 5,582,314 A 12/1996 Quinn et al.
 5,598,941 A 2/1997 Semersky et al.
 5,641,084 A 6/1997 Rice
 5,706,974 A 1/1998 Murdick et al.
 5,718,350 A 2/1998 Williams
 5,794,566 A 8/1998 Goetz
 5,810,188 A 9/1998 Novakoski et al.
 5,897,011 A 4/1999 Brilliant et al.
 5,897,036 A 4/1999 DeCoster et al.
 5,931,323 A 8/1999 Wilkinson et al.
 6,006,901 A 12/1999 Pereira Da Silva
 6,042,000 A 3/2000 Kawamoto
 6,238,762 B1 5/2001 Friedland et al.
 D444,027 S 6/2001 Gilliam et al.
 6,269,969 B1 8/2001 Huang
 6,308,858 B1 10/2001 Koefeld
 6,520,370 B2 2/2003 Nyman et al.
 D473,140 S 4/2003 Gilliam et al.
 6,609,633 B1 8/2003 Dyble et al.
 6,644,494 B2 11/2003 Hayes et al.
 D484,797 S 1/2004 Kipperman et al.
 6,761,279 B1 7/2004 Martin et al.
 6,761,283 B1 7/2004 Gilliam et al.
 6,772,904 B1 8/2004 Gilliam et al.
 D504,318 S 4/2005 Lane et al.
 6,889,866 B2 5/2005 Gilliam et al.
 6,964,359 B1 11/2005 Darr et al.
 7,040,500 B2 5/2006 Kipperman et al.
 7,080,754 B2 7/2006 Lown
 D528,919 S 9/2006 Kipperman et al.
 D530,616 S 10/2006 Kipperman et al.
 D530,617 S 10/2006 Little et al.
 7,156,265 B2 1/2007 Walsh et al.
 7,175,041 B2 2/2007 Ekkert
 7,370,788 B1 5/2008 Otani et al.
 D576,035 S * 9/2008 Perry et al. D9/435
 D578,401 S * 10/2008 Perry et al. D9/543
 7,621,417 B2 11/2009 Peterson et al.
 D640,544 S * 6/2011 Sifuentes et al. D9/425
 8,308,008 B2 11/2012 Perry et al.
 D675,477 S * 2/2013 McGrath et al. D7/391

8,469,223 B2 * 6/2013 Perry et al. 220/254.3
 8,511,499 B2 * 8/2013 Perry et al. 220/254.3
 2001/0035424 A1 11/2001 Combe et al.
 2002/0117504 A1 8/2002 Emerson et al.
 2002/0190112 A1 12/2002 Culeron et al.
 2003/0015542 A1 1/2003 Nulty et al.
 2003/0072440 A1 4/2003 Murray et al.
 2003/0121941 A1 7/2003 Walsh et al.
 2003/0183540 A1 10/2003 Onishi
 2003/0218020 A1 11/2003 Gilliam et al.
 2004/0011811 A1 1/2004 McLelland et al.
 2004/0118848 A1 6/2004 Marshall
 2004/0159661 A1 8/2004 Aochi
 2004/0238553 A1 12/2004 Lane et al.
 2005/0035118 A1 2/2005 Garg et al.
 2005/0173442 A1 8/2005 Gilliam et al.
 2005/0247708 A1 11/2005 Golden
 2005/0247709 A1 11/2005 Atkins et al.
 2006/0027585 A1 2/2006 Clamage
 2006/0076352 A1 4/2006 Peterson et al.
 2006/0081641 A1 4/2006 Habeger et al.
 2006/0131347 A1 6/2006 Nottingham et al.
 2006/0156811 A1 7/2006 Borowski et al.
 2006/0191933 A1 8/2006 Hicks et al.
 2006/0201946 A1 9/2006 Witt
 2006/0207963 A1 9/2006 Little et al.
 2006/0219652 A1 10/2006 Grant et al.
 2006/0273118 A1 12/2006 Walsh et al.
 2007/0015046 A1 1/2007 Kim et al.
 2007/0045315 A1 3/2007 Evans et al.
 2007/0221605 A1 9/2007 Pugne et al.
 2007/0235462 A1 10/2007 Omdoll et al.
 2007/0284276 A1 12/2007 Luttkik et al.
 2008/0035637 A1 2/2008 Shehadey et al.
 2008/0041861 A1 2/2008 Crawford et al.
 2008/0156805 A1 7/2008 Perry et al.
 2008/0156806 A1 7/2008 Perry et al.
 2008/0156808 A1 7/2008 Perry et al.
 2008/0156858 A1 7/2008 Perry et al.
 2008/0173657 A1 7/2008 Perry et al.
 2009/0014457 A1 1/2009 Bennett
 2009/0032545 A1 2/2009 Zeiler et al.
 2009/0039708 A1 2/2009 Zanders
 2009/0152280 A1 6/2009 Luburic
 2009/0159607 A1 6/2009 Kratzer
 2009/0230177 A1 9/2009 Robertson et al.
 2009/0255942 A1 10/2009 Omdoll et al.
 2009/0289066 A1 11/2009 DiPietro et al.
 2009/0314775 A1 12/2009 Dietrich et al.
 2010/0108670 A1 5/2010 Perry et al.
 2010/0180553 A1 7/2010 Tilton
 2010/0264156 A1 10/2010 Vandamme et al.
 2010/0294767 A1 11/2010 Catteau et al.
 2010/0308044 A1 12/2010 Perry et al.
 2010/0308065 A1 12/2010 Vandamme et al.
 2010/0308066 A1 12/2010 Perry et al.
 2011/0006066 A1 1/2011 Vandamme et al.

FOREIGN PATENT DOCUMENTS

DE 19701101 7/1998
 DE 19725698 12/1998
 EP 0356322 1/1993
 EP 0648681 1/1994
 EP 0609650 8/1994
 EP 0700836 8/1995
 EP 0631941 9/1996
 EP 0957034 11/1999
 EP 1129957 9/2001
 EP 1156157 11/2001
 EP 1512637 3/2005
 EP 1336569 6/2005
 EP 1529737 3/2007
 FR 2719558 11/1995
 FR 2747107 10/1997
 GB 2059920 4/1981
 JP 8183556 7/1996
 JP 8217108 8/1996
 JP 10258841 9/1998

(56)

References Cited

FOREIGN PATENT DOCUMENTS

JP	2001019006	1/2001
JP	2002209770	7/2002
JP	2004136959	5/2004
JP	2004329382	11/2004
JP	2005022757	1/2005
JP	2006111294	3/2006
JP	2006160299	6/2006
JP	2007099281	4/2007
JP	2007099287	4/2007
JP	2007099294	4/2007
JP	2007137510	6/2007
JP	2008063009	3/2008
JP	2008296929	12/2008
KR	20020007210	1/2001
KR	20020025817	4/2002
KR	20030072440	9/2003
KR	20030089935	11/2003
KR	10-2002-0040057	1/2004
KR	20040005481	1/2004
KR	20050027042	3/2005
KR	20050019526	12/2005
KR	2004030400000	12/2005
KR	10-2002-0027862	4/2009
NL	1031829	11/2007
WO	9317920	9/1993
WO	9511834	5/1995
WO	9846494	10/1998
WO	9915423	4/1999
WO	151378	7/2001
WO	03051732	6/2003
WO	2005075314	8/2005
WO	2007131806	11/2007
WO	2007137776	12/2007
WO	2007142522	12/2007
WO	2008019980	2/2008
WO	2008083141	7/2008
WO	2008149006	12/2008
WO	2008149007	12/2008
WO	2009081050	7/2009
WO	2010141841	12/2010
WO	2010141844	12/2010
WO	2013163583	10/2013

OTHER PUBLICATIONS

International Preliminary Report on Patentability for PCT/US2007/088793 dated Jun. 30, 2009.

International Search Report for PCT/US2010/037436 dated Aug. 12, 2010.

International Search Report and Written Opinion from PCT/US2010/037436 dated Aug. 9, 2013.

Notice of Abandonment for U.S. Appl. No. 11/645,887 dated Dec. 5, 2008.

Notice of Abandonment for U.S. Appl. No. 11/964,491 dated Dec. 5, 2008.

Notice of Abandonment for U.S. Appl. No. 11/964,547 dated Dec. 5, 2008.

Restriction/Election for U.S. Appl. No. 12/478,885 dated Nov. 25, 2011.

Response to Restriction/Election for U.S. Appl. No. 12/478,885 dated Dec. 16, 2011.

Office Action in U.S. Appl. No. 12/478,885 dated Mar. 13, 2012.

Amendment A/Response to Office Action in U.S. Appl. No. 12/478,885 dated May 17, 2012.

Office Action in U.S. Appl. No. 12/478,885 dated Oct. 9, 2012.

Office Action in U.S. Appl. No. 12/520,652 dated Dec. 13, 2011.

Response/Amendment A in U.S. Appl. No. 12/520,652 dated Mar. 5, 2012.

Final Office Action in U.S. Appl. No. 12/520,652 dated May 10, 2012.

Response/Amendment B in U.S. Appl. No. 12/520,652 dated Jun. 28, 2012.

Notice of Allowance in U.S. Appl. No. 12/534,320 dated Mar. 21, 2013.

Notice of Allowance in U.S. Appl. No. 12/520,652 dated Jul. 11, 2012.

Office Action in U.S. Appl. No. 12/534,320 dated Mar. 22, 2012.

Amendment A/Response to Office Action in U.S. Appl. No. 12/534,320 dated May 25, 2012.

Office Action in U.S. Appl. No. 12/534,320 dated Nov. 28, 2012.

Preliminary Amendment A in U.S. Appl. No. 13/083,207 dated Apr. 8, 2011.

Preliminary Amendment B in U.S. Appl. No. 13/083,207 dated Apr. 13, 2011.

Office Action in U.S. Appl. No. 13/083,207 dated Sep. 5, 2012.

Response to Office Action in U.S. Appl. No. 13/083,207 dated Dec. 5, 2012.

Notice of Non-Compliant Amendment in U.S. Appl. No. 13/083,207 dated Dec. 11, 2012.

Response to Notice of Non-Compliant Amendment in U.S. Appl. No. 13/083,207 dated Jan. 3, 2013.

Notice of Allowance in U.S. Appl. No. 13/083,207 dated Jan. 24, 2013.

Office Action in Columbian Appl. No. 09066736 dated Sep. 18, 2012.

Office Action in Israeli Appl. No. 199511 dated Feb. 10, 2012.

Office Action in Israeli Appl. No. 199511 reported by Foreign Associate Jul. 9, 2013.

Office Action in Japanese Appl. No. 2009-544244 dated Jul. 31, 2012.

Office Action in Mexican Appl. No. MX/a/2009/007052 dated Mar. 1, 2012.

ASG vitamin package of 1990.

Hardware Source hinge store—where-you find all the hinges you will ever need, www.hardware-source.com/index.asp. Dec. 26, 2006, pp. 1-3.

Living Hinge Design, http://enr.bd.psu.edu/pkoch/plasticdesignliving_hinge.htm, Nov. 6, 2006, pp. 1-8.

Request for Inter Partes Reexamination of US Patent No. 7,040,500 dated Nov. 7, 2008, pp. 1-97.

Notice of Allowance from U.S. Appl. No. 12/478,885 dated Sep. 18, 2013.

Office Action from U.S. Appl. No. 13/892,052 dated Jan. 16, 2014.

Living Hinge, http://efunda.com/designstandards/plastic_design_hinge.cfm Nov. 2, 2006 pp. 1-3.

Office Action for Dominican Republic Patent Application No. P2009-0158 reported by associate Jul. 25, 2013.

Notice of Abandonment for U.S. Appl. No. 11/964,513 dated Dec. 5, 2008 (4887).

International Search Report from PCT/US2013/038468 dated Nov. 8, 2013.

* cited by examiner

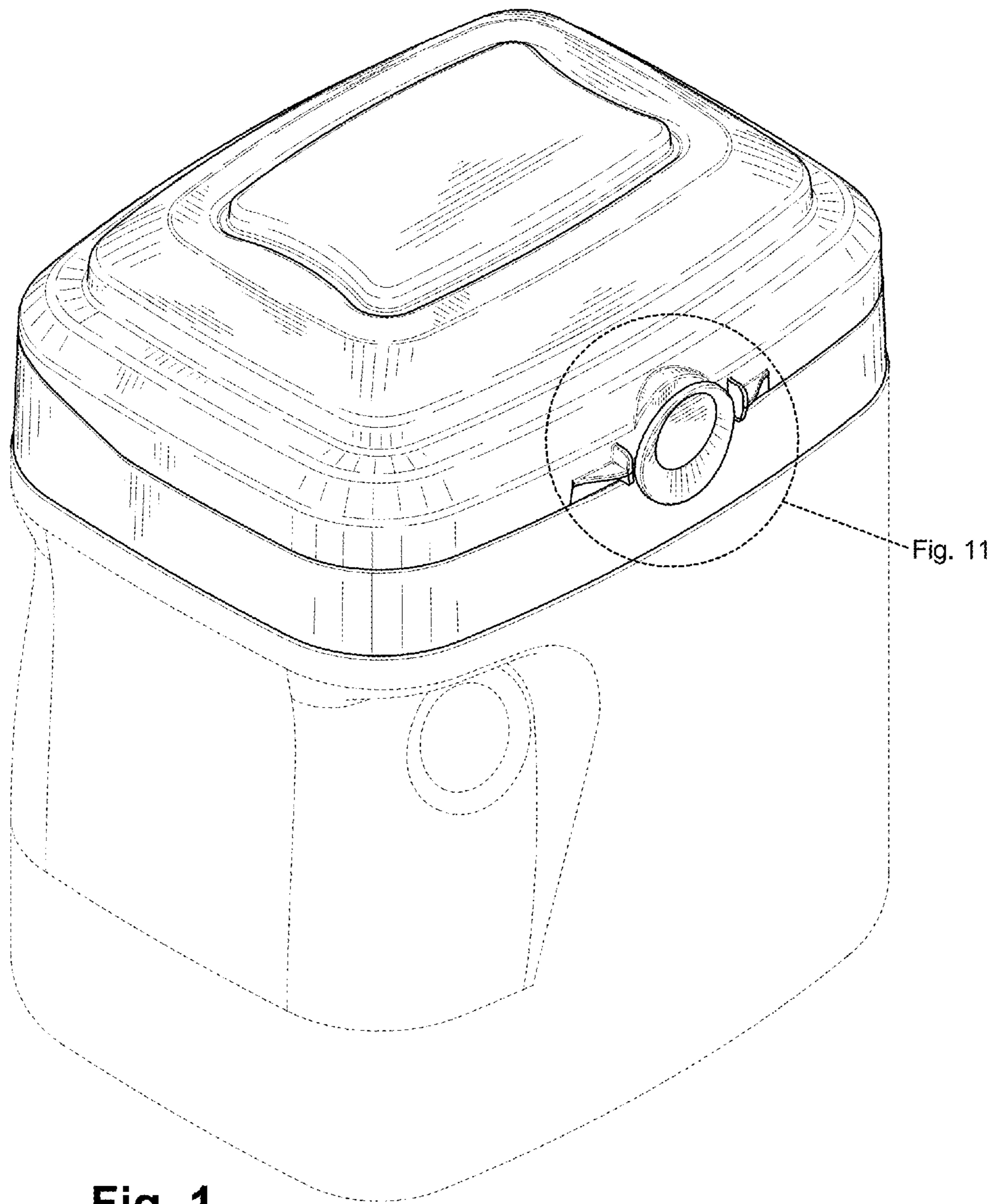


Fig. 1

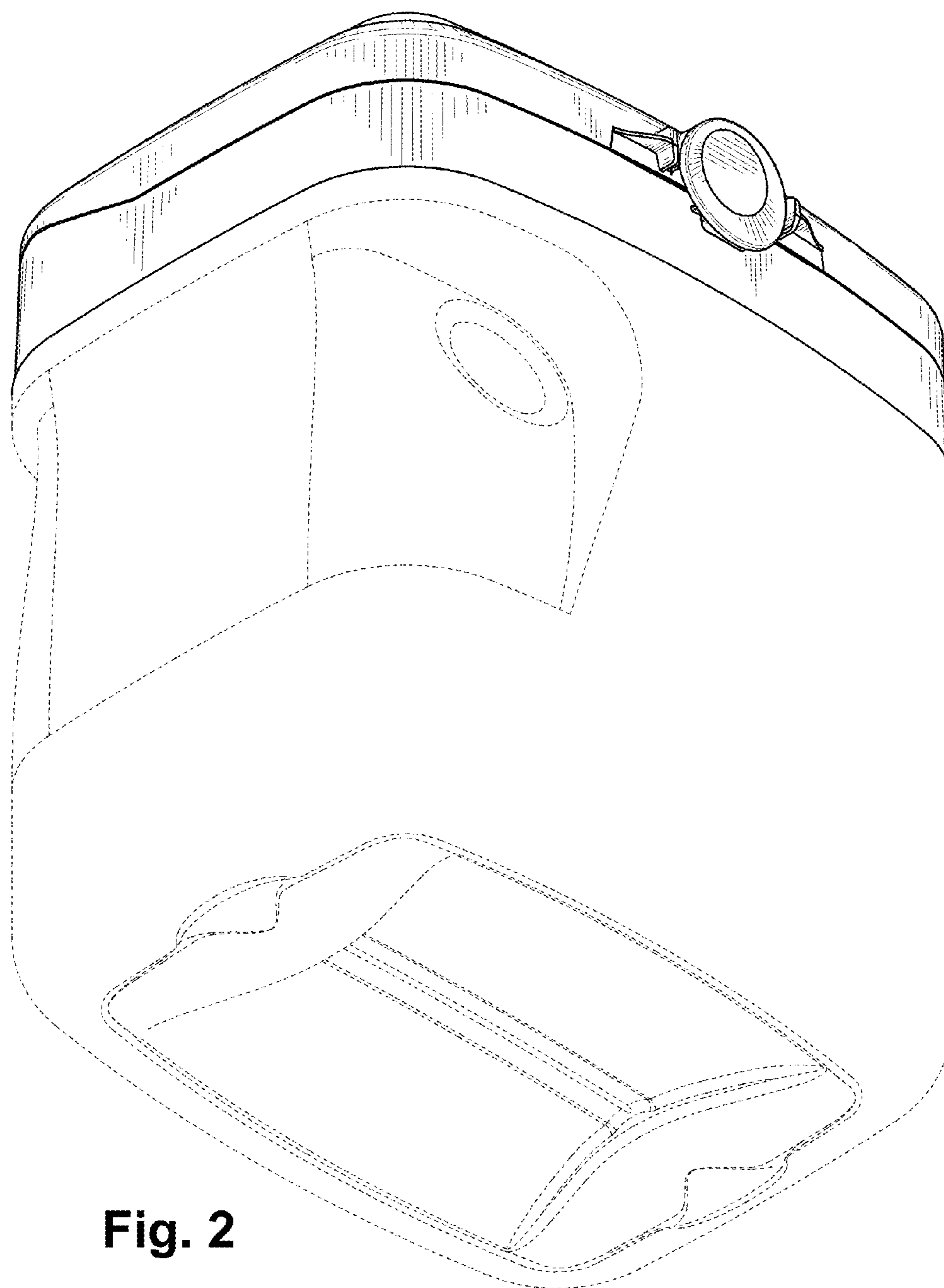


Fig. 2

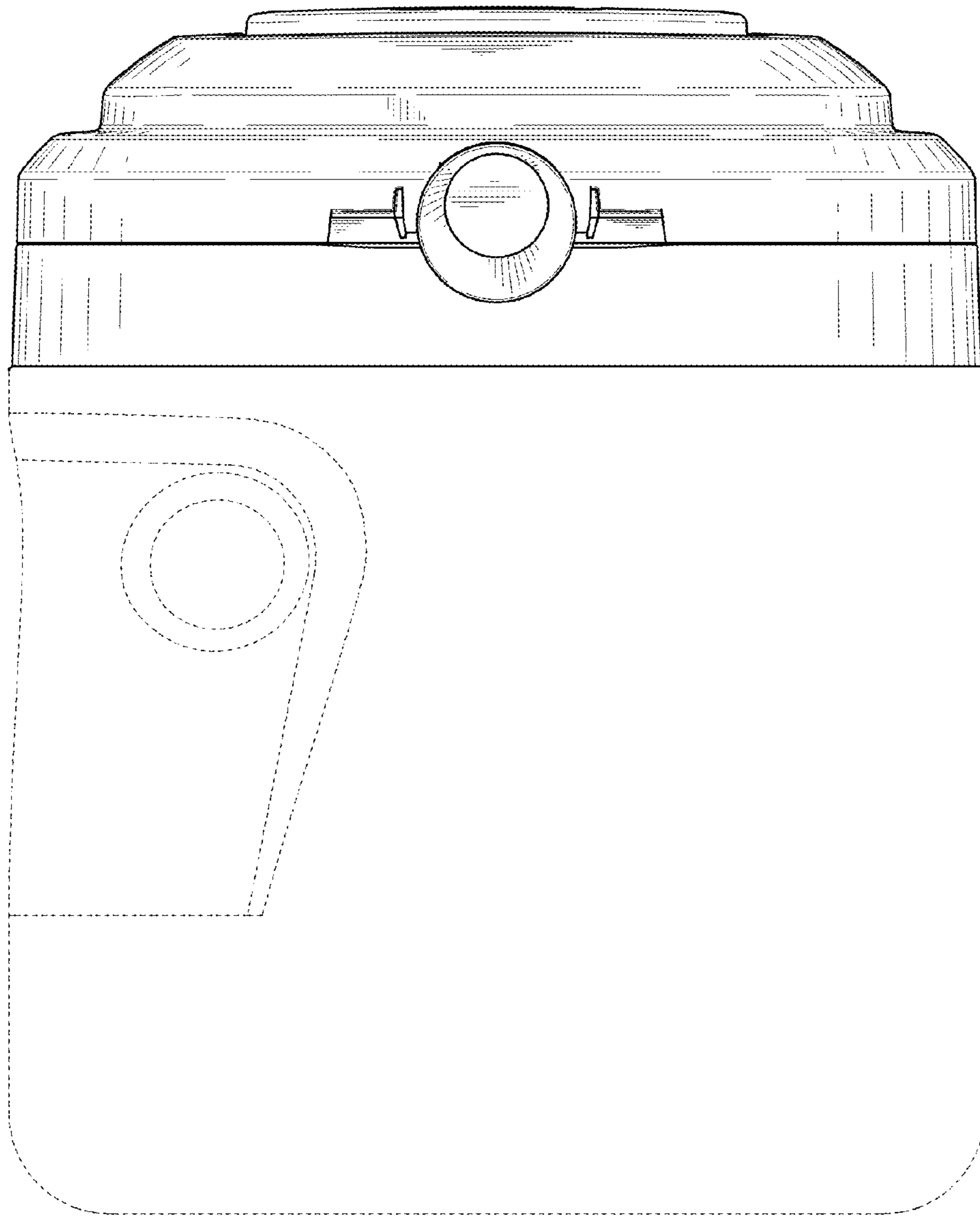


Fig. 3

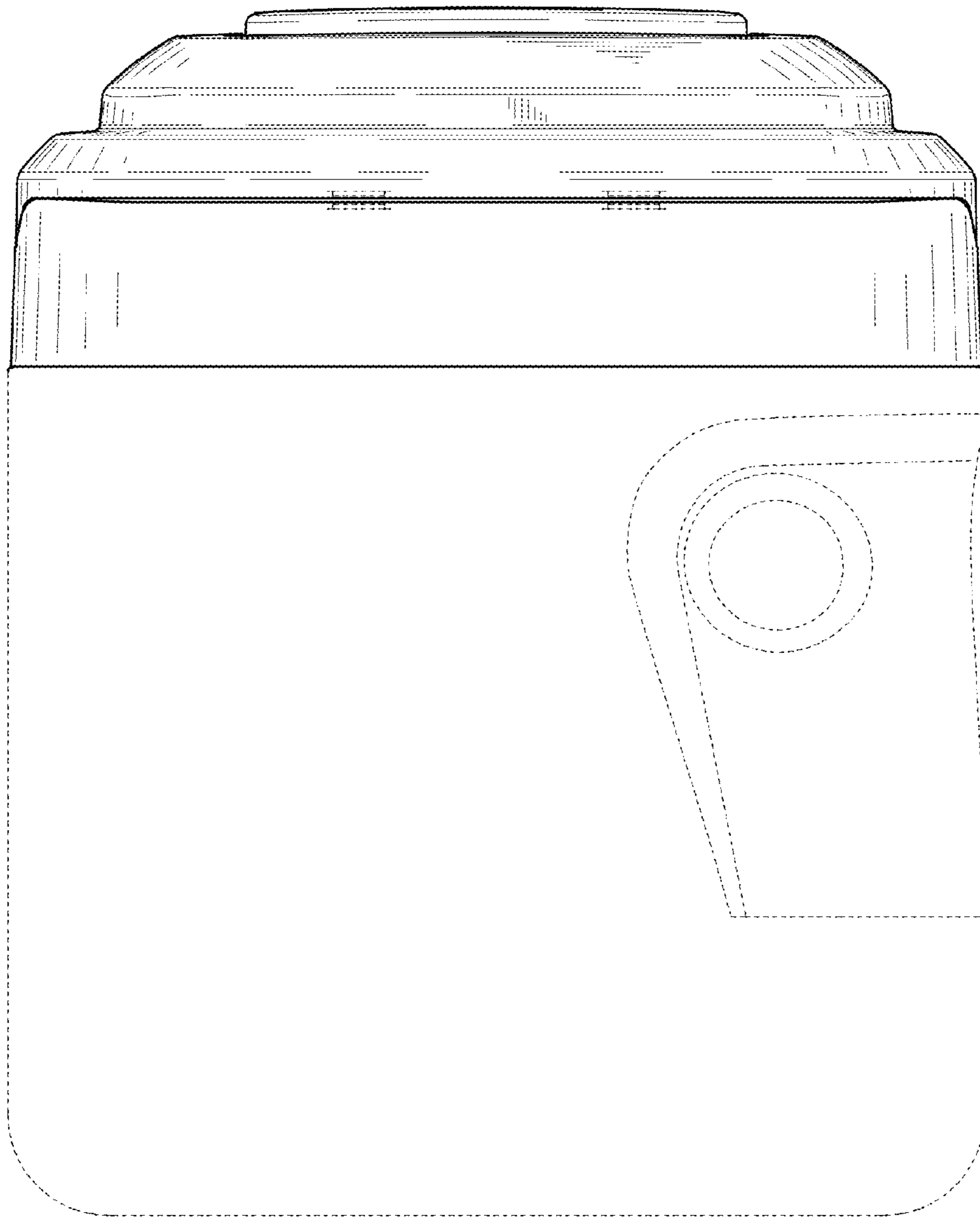


Fig. 4

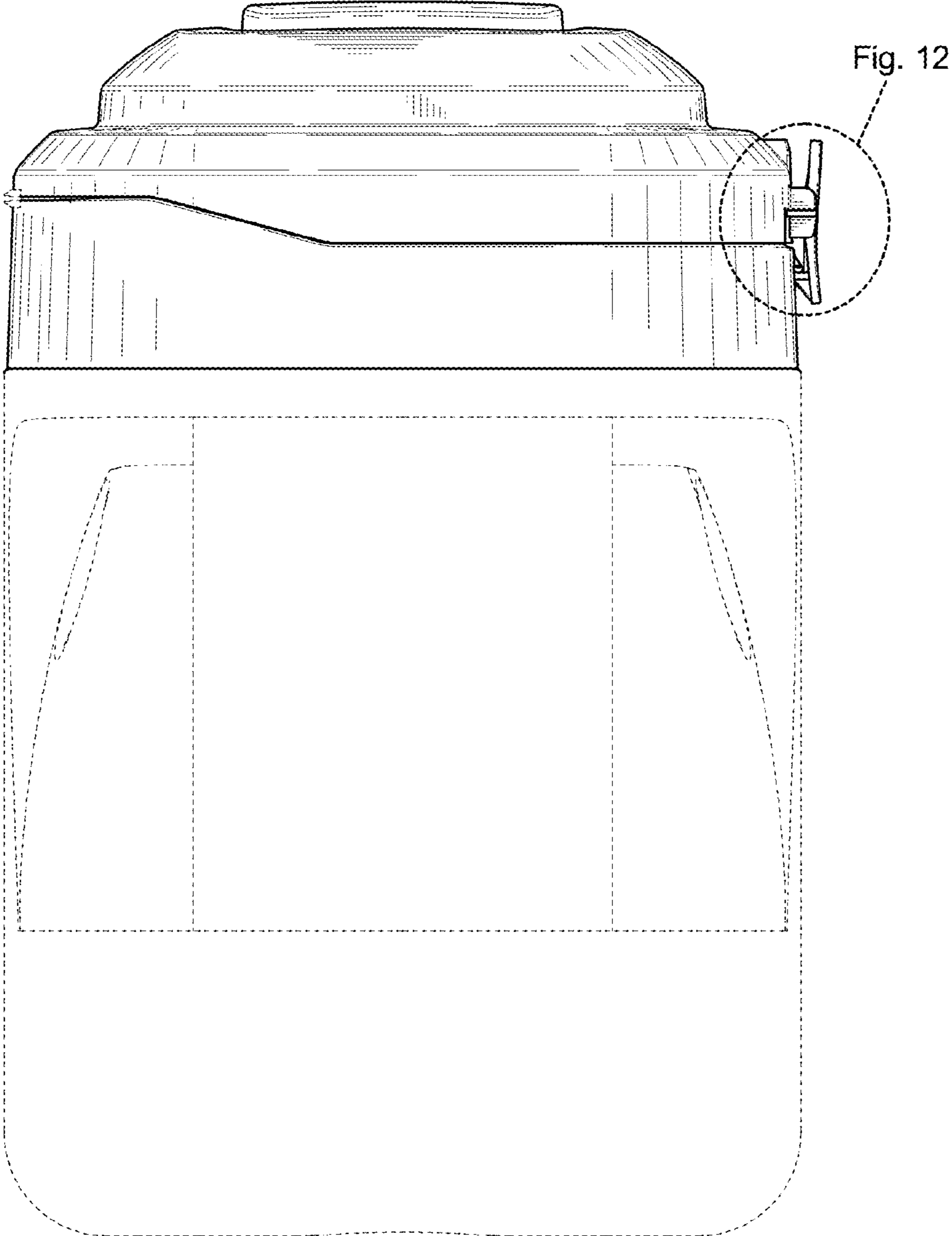


Fig. 5

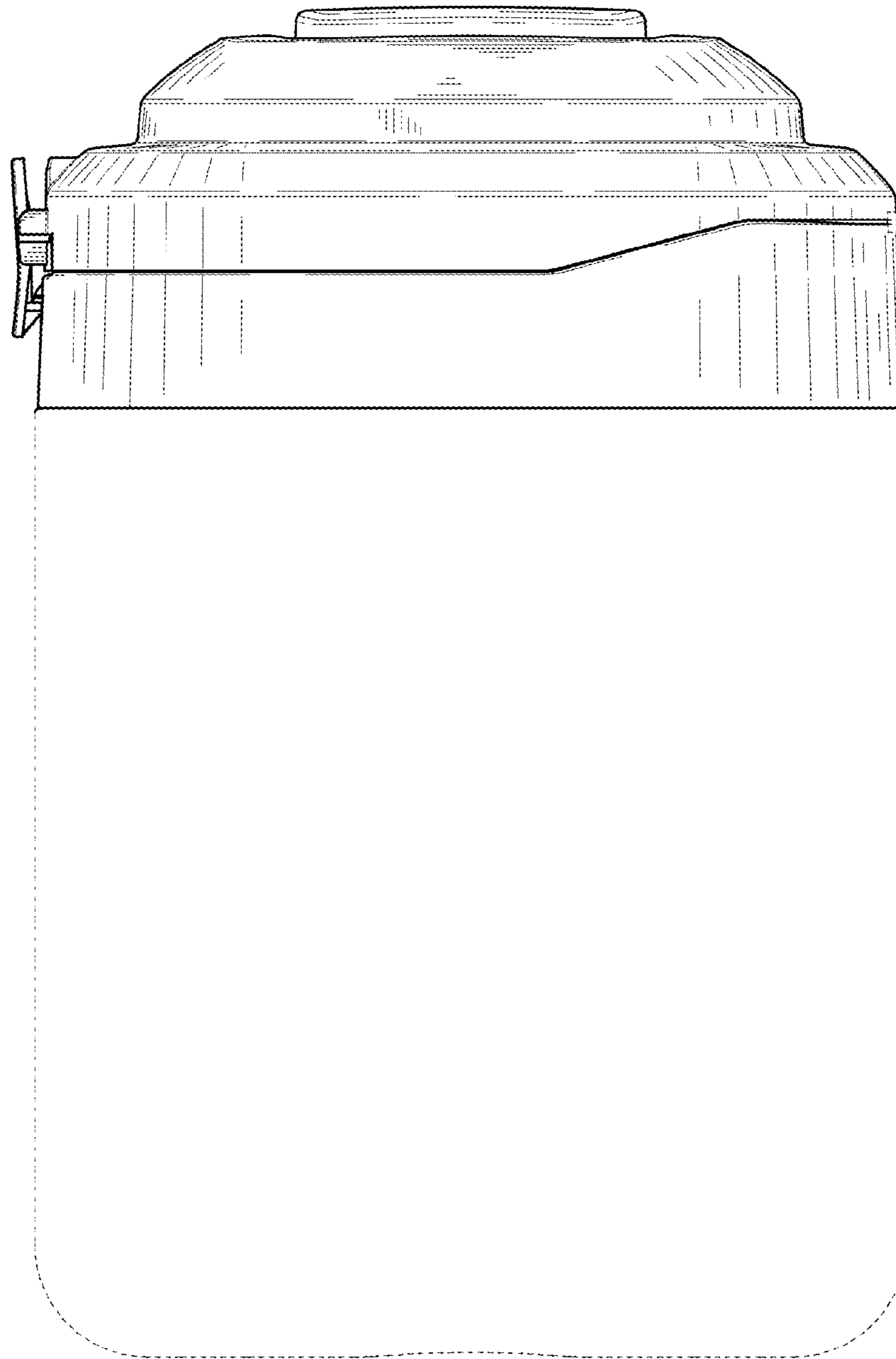


Fig. 6

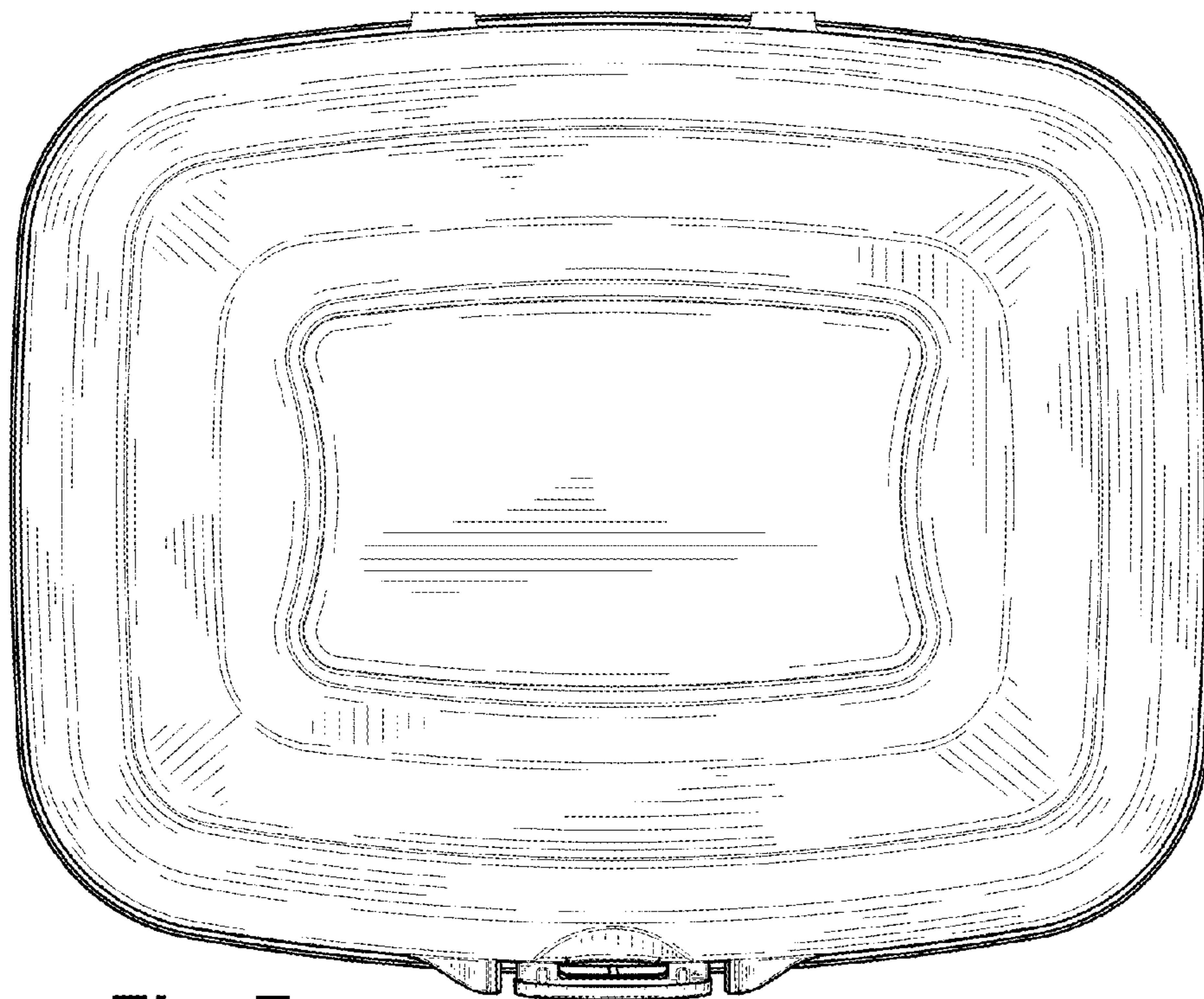


Fig. 7

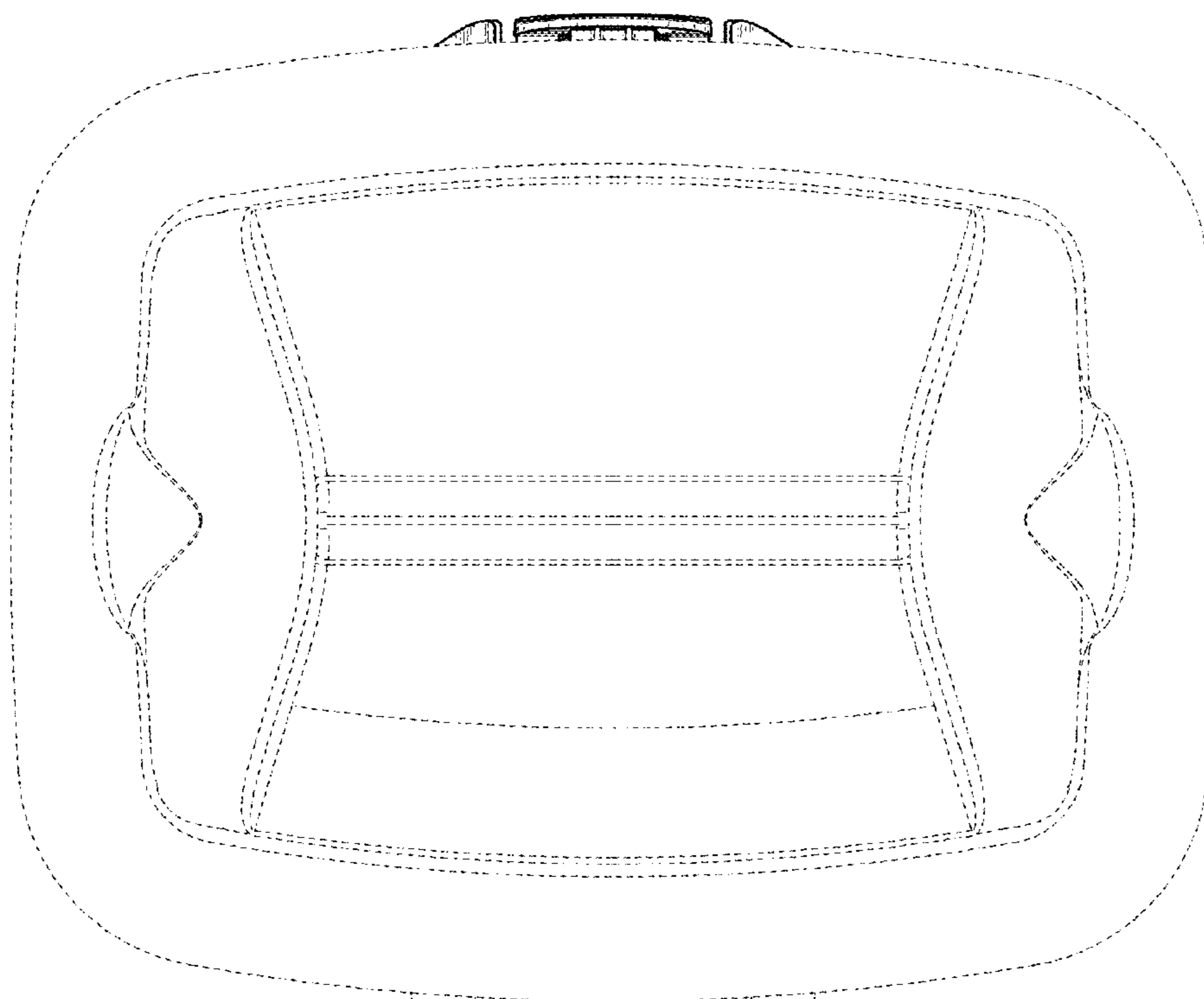


Fig. 8

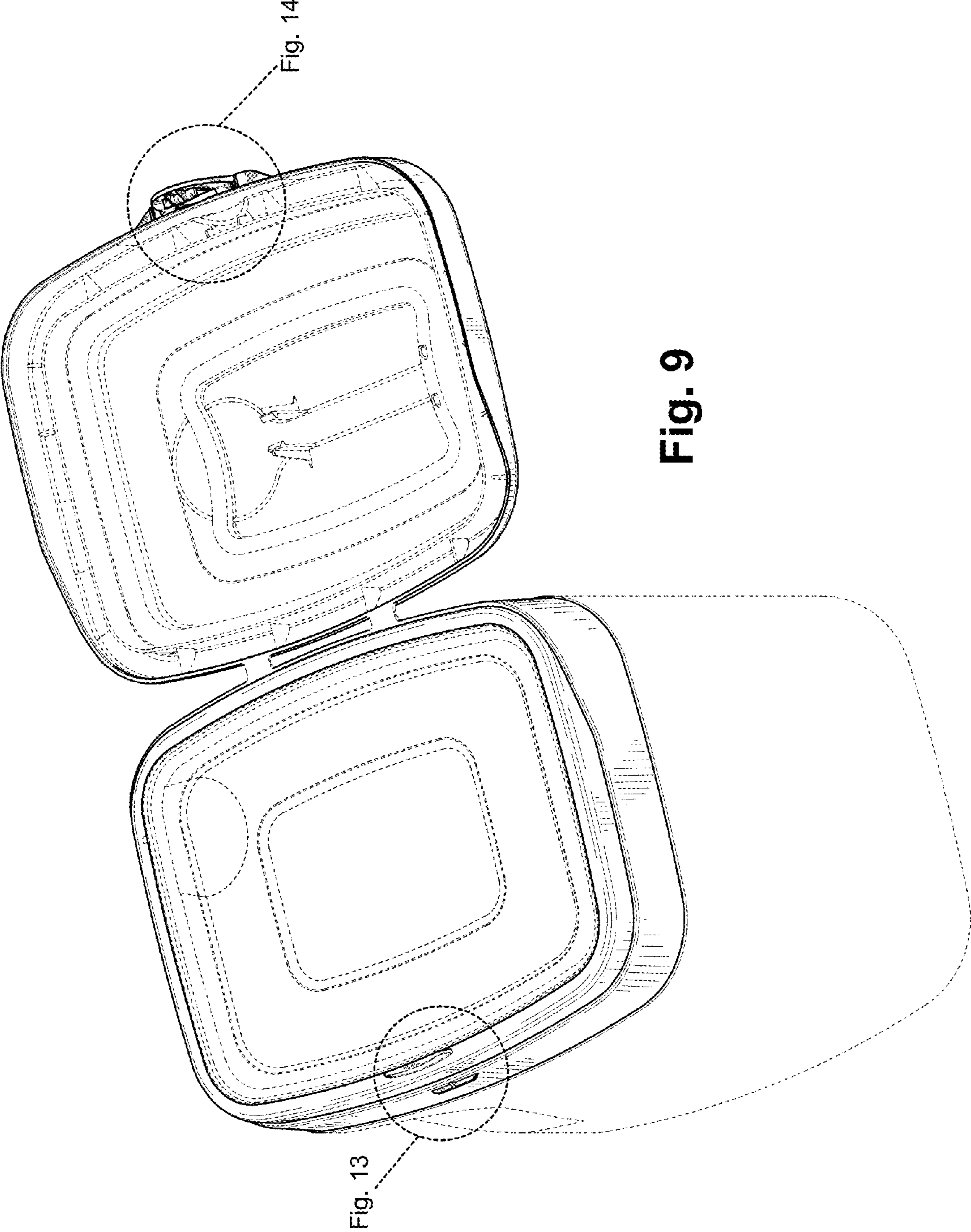


Fig. 9

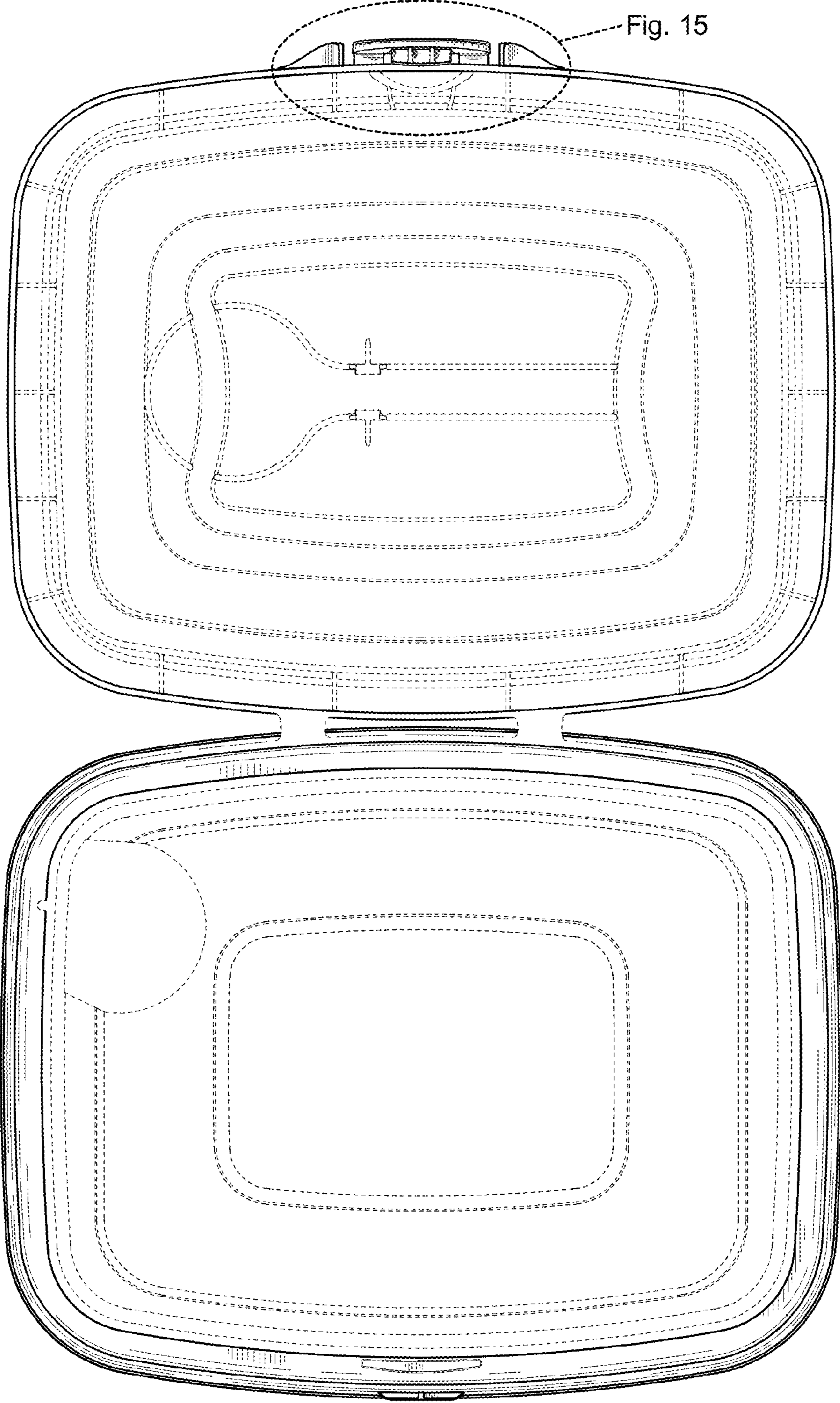


Fig. 10

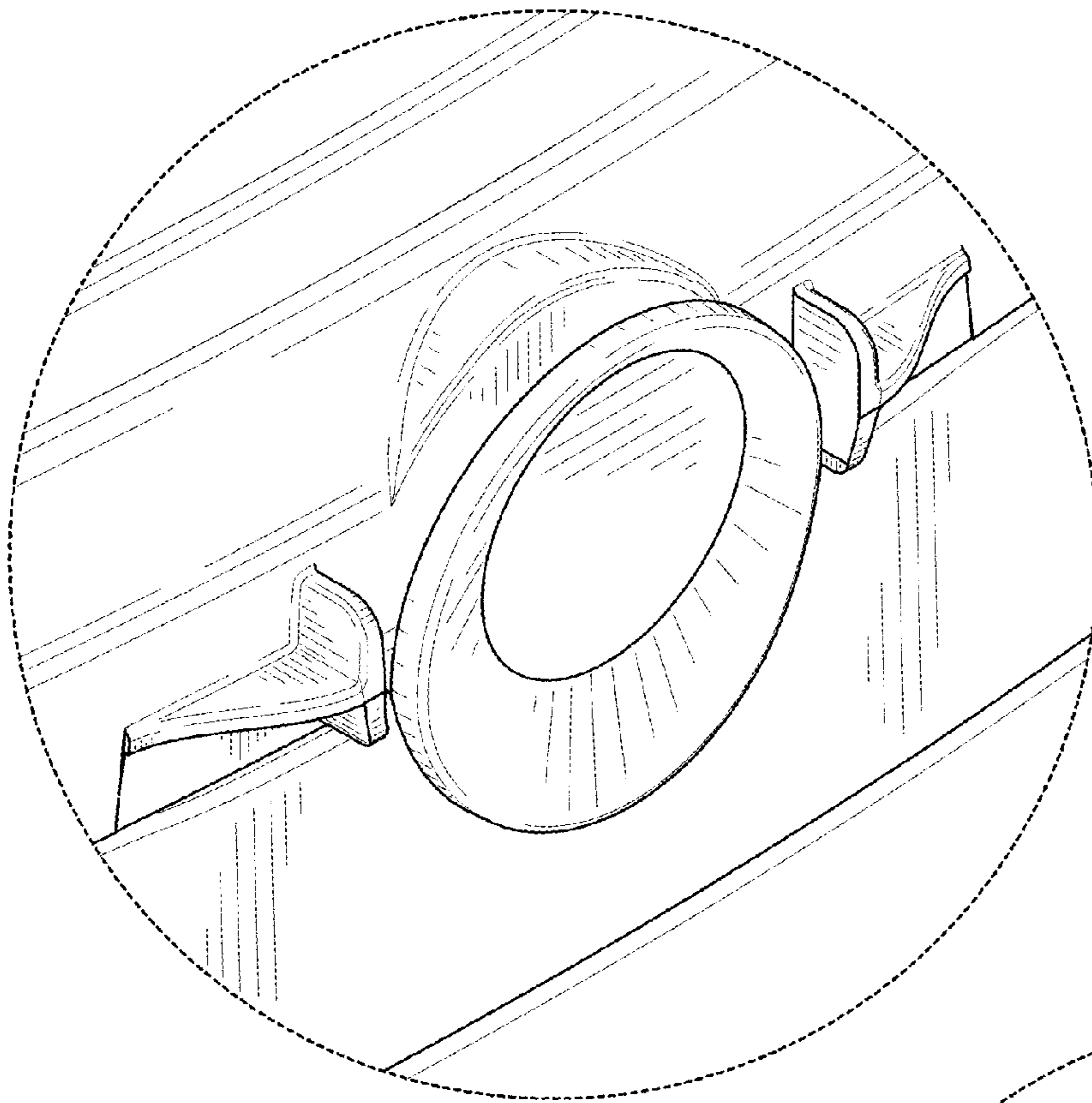


Fig. 11

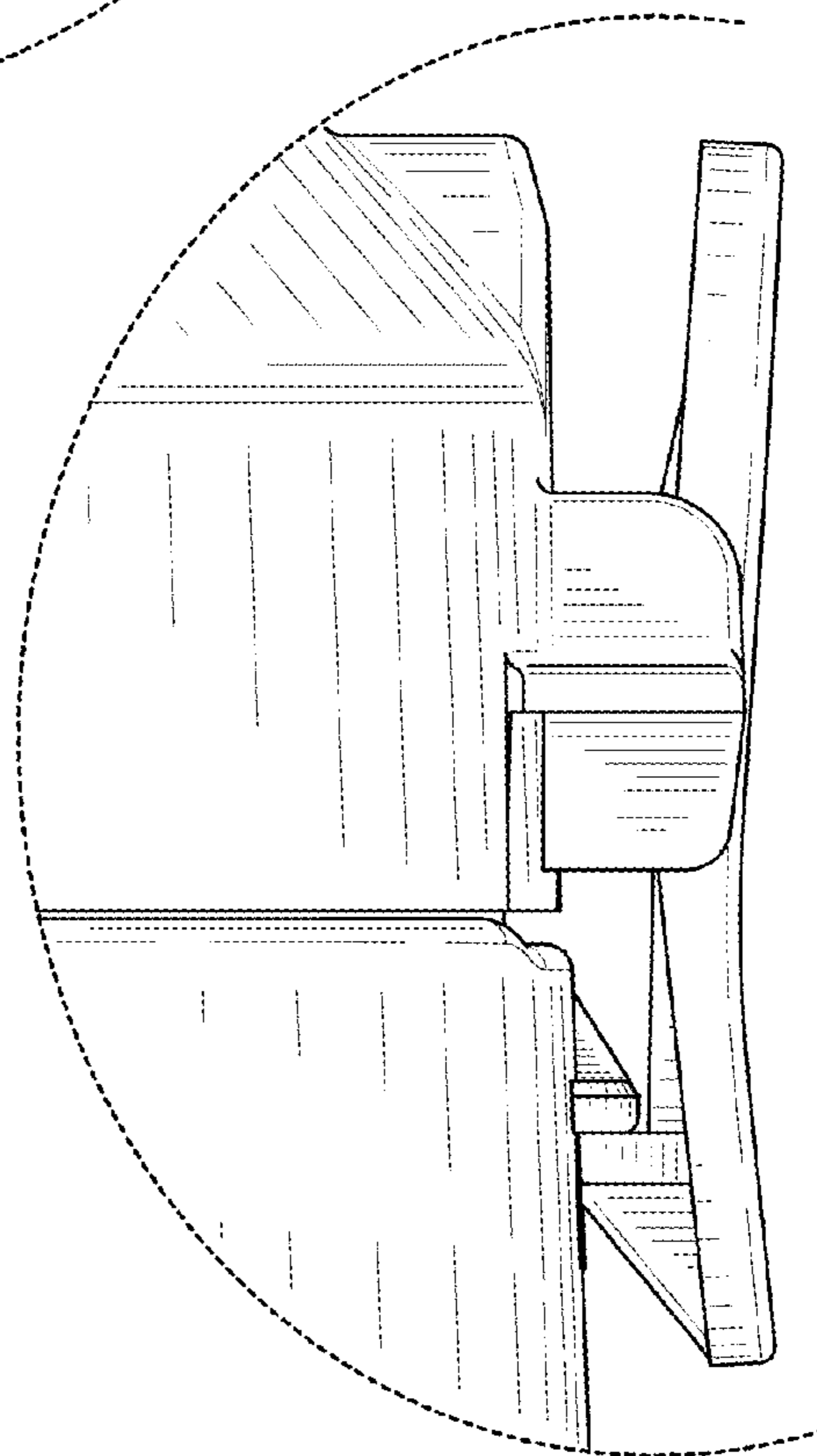


Fig. 12

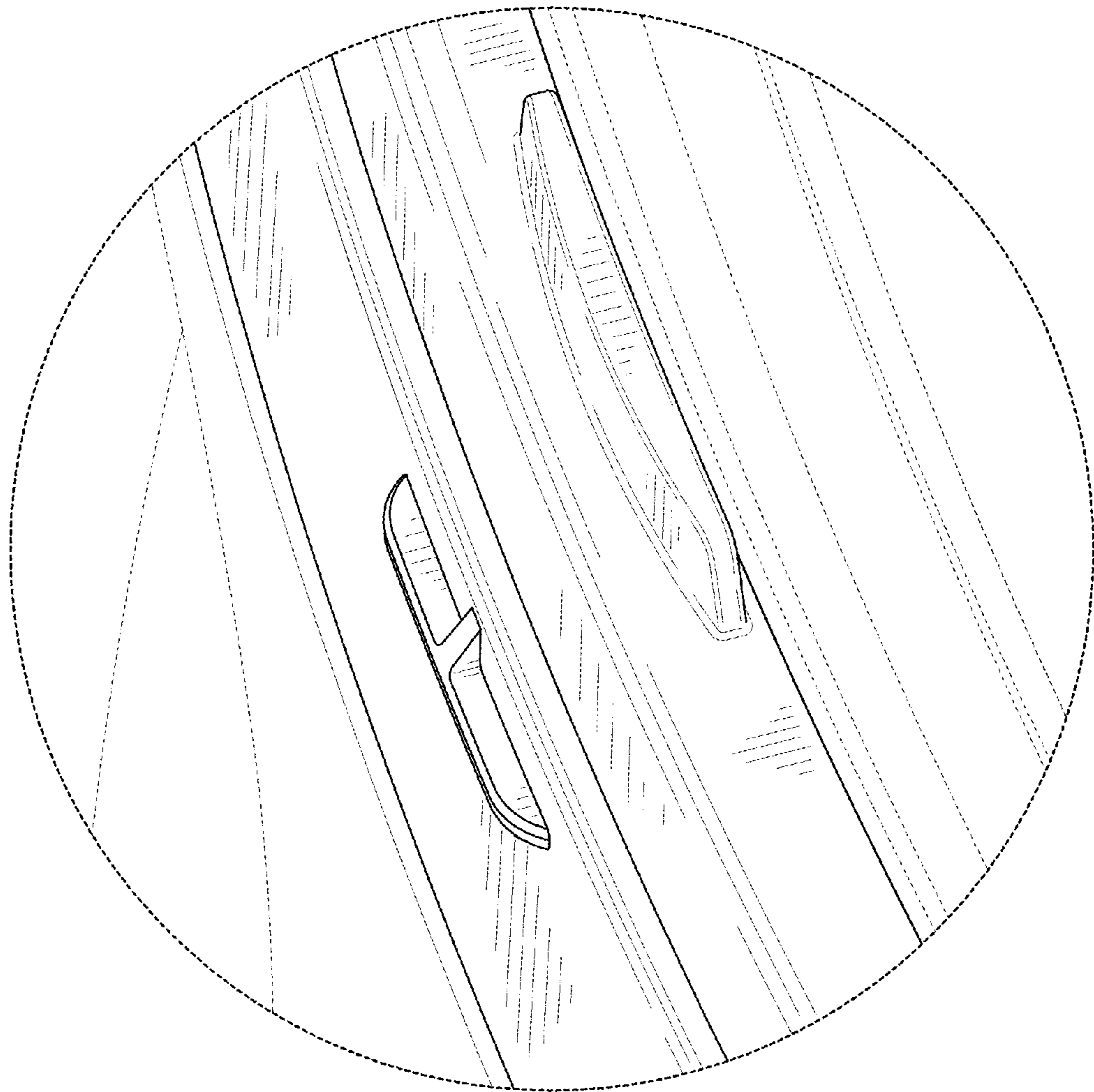


Fig. 13

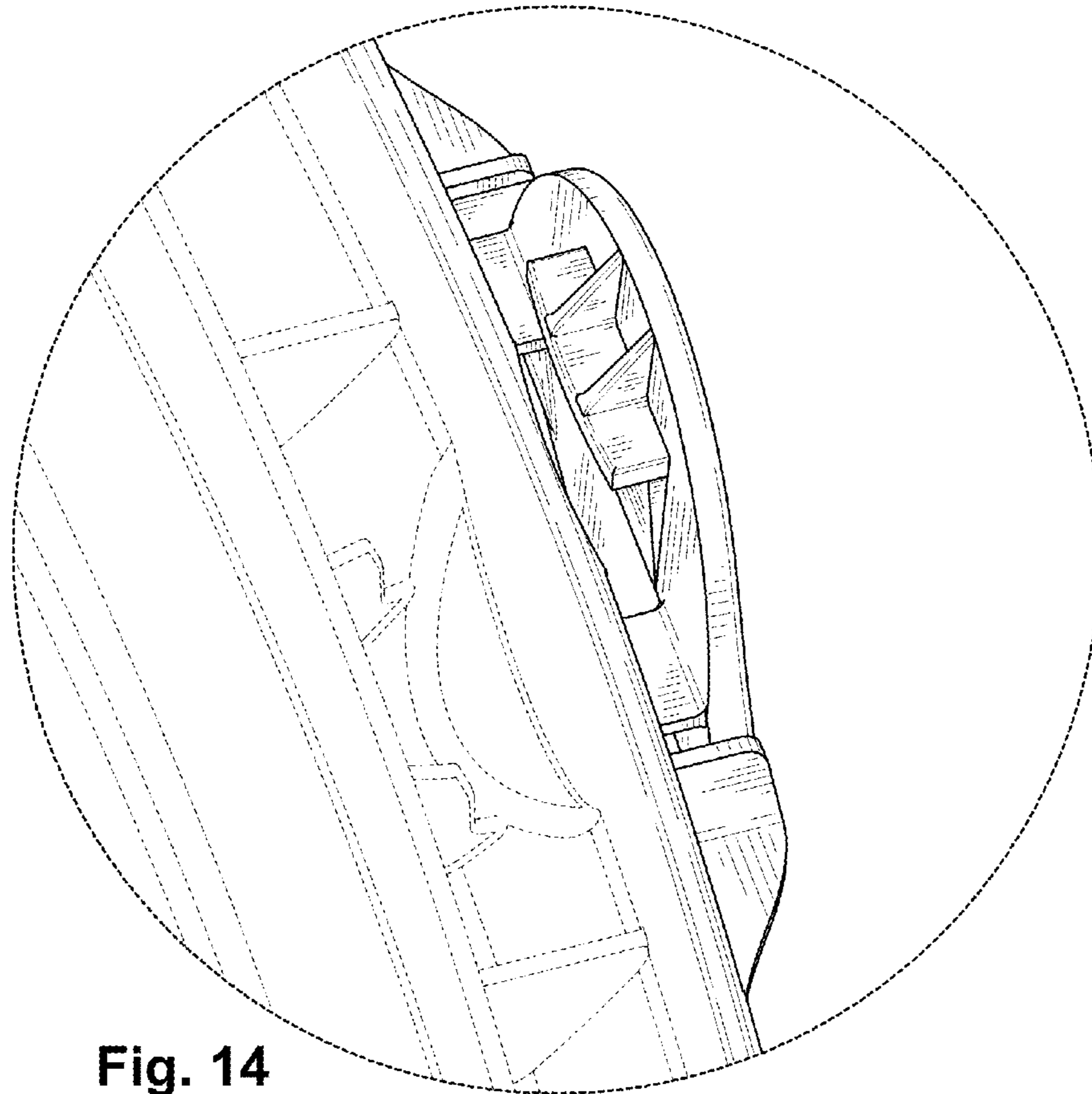


Fig. 14

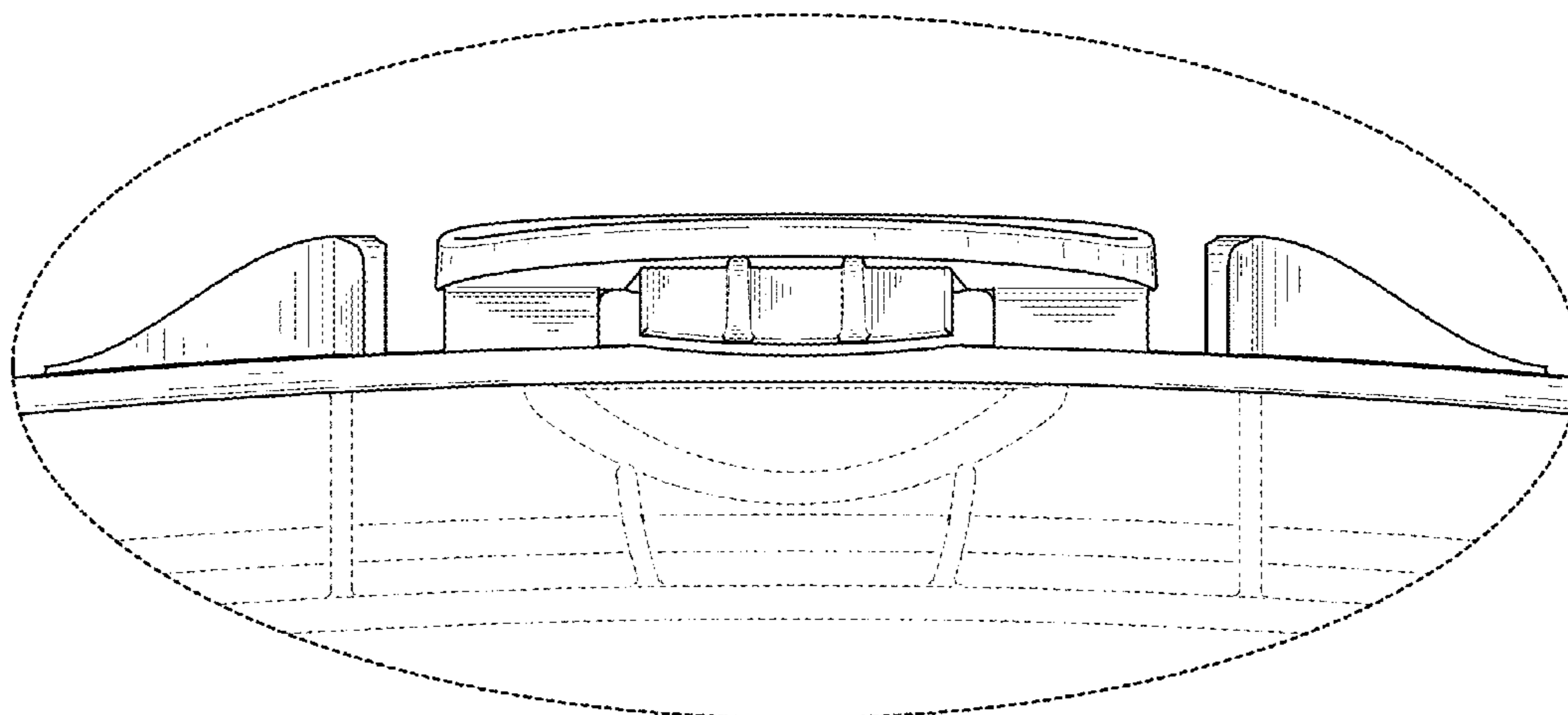


Fig. 15