

US00D733315S

(12) **United States Design Patent**
Lui

(10) **Patent No.:** **US D733,315 S**
(45) **Date of Patent:** **** Jun. 30, 2015**

- (54) **SHIPPING CONTAINER**
- (71) Applicant: **Theranos, Inc.**, Palo Alto, CA (US)
- (72) Inventor: **Clarissa Lui**, Palo Alto, CA (US)
- (73) Assignee: **Theranos, Inc.**, Palo Alto, CA (US)
- (**) Term: **14 Years**
- (21) Appl. No.: **29/466,442**
- (22) Filed: **Sep. 8, 2013**
- (51) **LOC (10) Cl.** **24-02**
- (52) **U.S. Cl.**
USPC **D24/227; D3/203.1; D9/759**
- (58) **Field of Classification Search**
USPC D24/216, 217, 224–232, 131;
D3/203.1–203.6, 272; D9/420, 423,
D9/430, 432, 424, 732, 629, 429; 220/793,
220/839, 258.3; 206/83, 528, 438, 63.5,
206/815, 508; 422/560–564; 435/305.1,
435/288.3, 288.4
See application file for complete search history.

| | | | | |
|-----------|------|---------|-------------------------|---------|
| 5,906,292 | A * | 5/1999 | Rider, Jr. | 220/839 |
| D411,308 | S * | 6/1999 | Pandey et al. | D24/230 |
| D423,111 | S * | 4/2000 | Davis et al. | D24/226 |
| D476,423 | S * | 6/2003 | Picot et al. | D24/217 |
| D484,797 | S * | 1/2004 | Kipperman et al. | D9/424 |
| D487,315 | S * | 3/2004 | Picot et al. | D24/217 |
| 6,875,405 | B1 * | 4/2005 | Mathus et al. | 422/562 |
| D525,714 | S * | 7/2006 | Ueda | D24/227 |
| D526,064 | S * | 8/2006 | Wood | D24/229 |
| D529,622 | S * | 10/2006 | Hadjis et al. | D24/229 |
| D543,120 | S * | 5/2007 | Coe et al. | D9/732 |
| D551,515 | S * | 9/2007 | Ablo et al. | D7/629 |
| D574,505 | S * | 8/2008 | Muller-Cohn et al. | D24/216 |
| D593,207 | S * | 5/2009 | Ayliffe | D24/229 |
| D618,516 | S * | 6/2010 | DiPietro et al. | D7/629 |
| D664,845 | S * | 8/2012 | Everson | D9/432 |
| 8,460,622 | B2 * | 6/2013 | Motadel | 422/564 |
| D698,938 | S * | 2/2014 | Fonseca | D24/224 |

(Continued)

OTHER PUBLICATIONS

Office Action dated Oct. 10, 2014 for U.S. Appl. No. 29/466,739.

(Continued)

Primary Examiner — T. Chase Nelson

Assistant Examiner — Mark Cavanna

(56) **References Cited**
U.S. PATENT DOCUMENTS

| | | | | |
|-----------|-----|---------|----------------------|-----------|
| D264,810 | S * | 6/1982 | Voltmann | D3/203.3 |
| 4,401,229 | A * | 8/1983 | Bell et al. | 220/258.3 |
| D271,239 | S * | 11/1983 | Lemieux et al. | D24/230 |
| D278,412 | S * | 4/1985 | Yeung | D9/420 |
| D280,015 | S * | 8/1985 | Sarajian | D24/227 |
| D282,577 | S * | 2/1986 | Neumeister | D24/226 |
| D295,074 | S * | 4/1988 | Jerge et al. | D24/217 |
| D299,955 | S * | 2/1989 | Kendrick, Sr. | D24/229 |
| D316,146 | S * | 4/1991 | Payne et al. | D24/227 |
| 5,012,928 | A * | 5/1991 | Proffitt et al. | 206/508 |
| D324,819 | S * | 3/1992 | Eisenberg | D3/203.3 |
| 5,204,130 | A * | 4/1993 | McDevitt et al. | 206/815 |
| D352,116 | S * | 11/1994 | Kienholz | D24/227 |
| D376,647 | S * | 12/1996 | Marsh et al. | D24/131 |

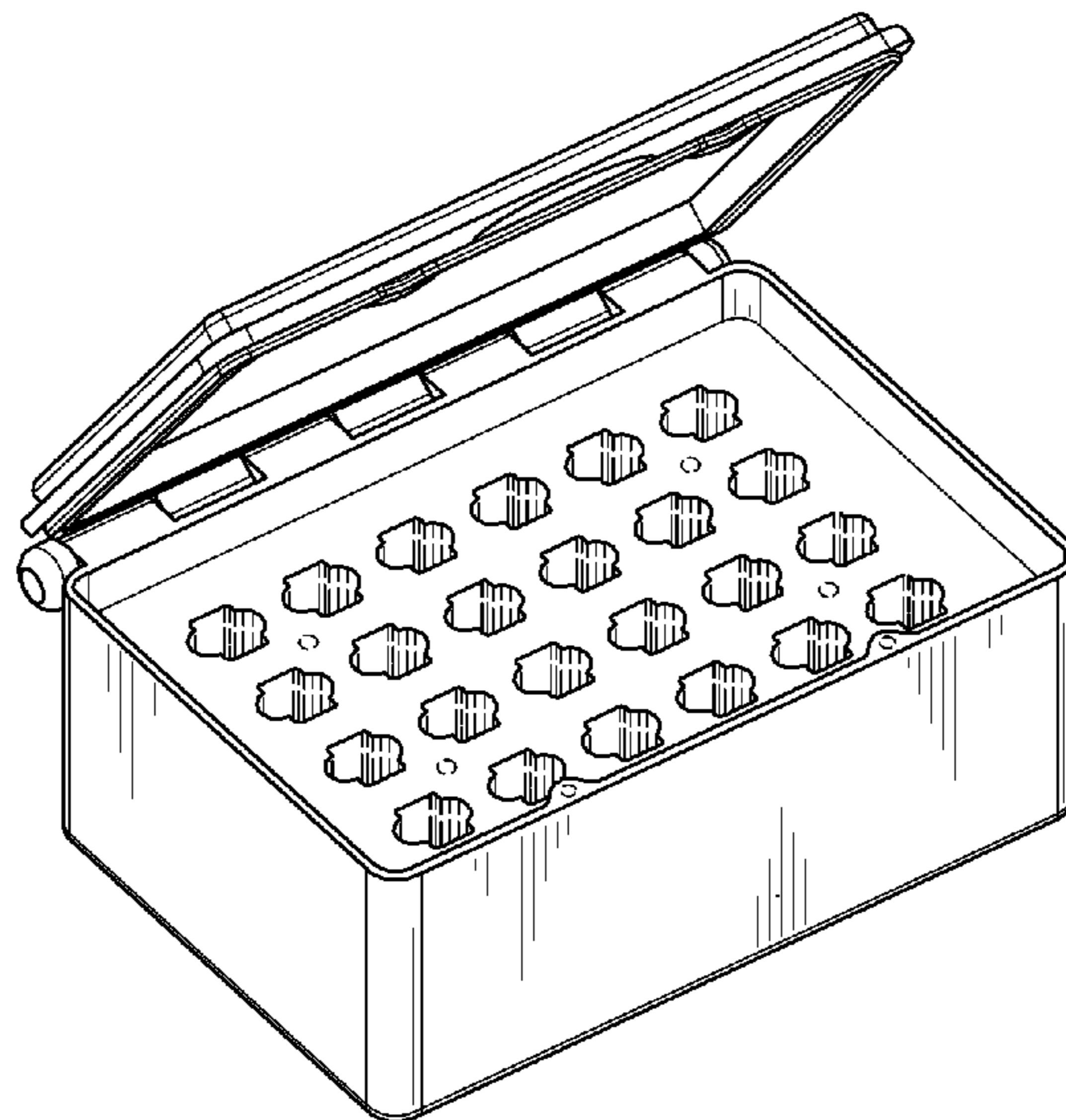
(57) **CLAIM**

The ornamental design for a shipping container, as shown and described.

DESCRIPTION

FIG. 1 is a perspective view of a shipping container with an open lid, showing our new design;
FIG. 2 is a side view thereof, with lid open; and,
FIG. 3 is a top view thereof with lid open.
The broken lines are included for the purpose of illustrating unclaimed portions of the shipping container and form no part of the claimed design.

1 Claim, 2 Drawing Sheets



(56)

References Cited

OTHER PUBLICATIONS

U.S. PATENT DOCUMENTS

| | | | | | | |
|--------------|----|---|--------|----------------|-------|---------|
| D699,370 | S | * | 2/2014 | Motadel et al. | | D24/229 |
| D707,847 | S | * | 6/2014 | Motadel et al. | | D24/227 |
| D711,549 | S | * | 8/2014 | Trump | | D24/224 |
| D711,550 | S | * | 8/2014 | Trump | | D24/224 |
| 2007/0012710 | A1 | * | 1/2007 | Vovan | | 220/793 |

Office Action dated Oct. 2, 2014 for U.S. Appl. No. 29/466,443.
Office Action dated Oct. 2, 2014 for U.S. Appl. No. 29/466,710.
Office Action dated Oct. 3, 2014 for U.S. Appl. No. 29/466,440.
Office Action dated Oct. 3, 2014 for U.S. Appl. No. 29/466,441.

* cited by examiner

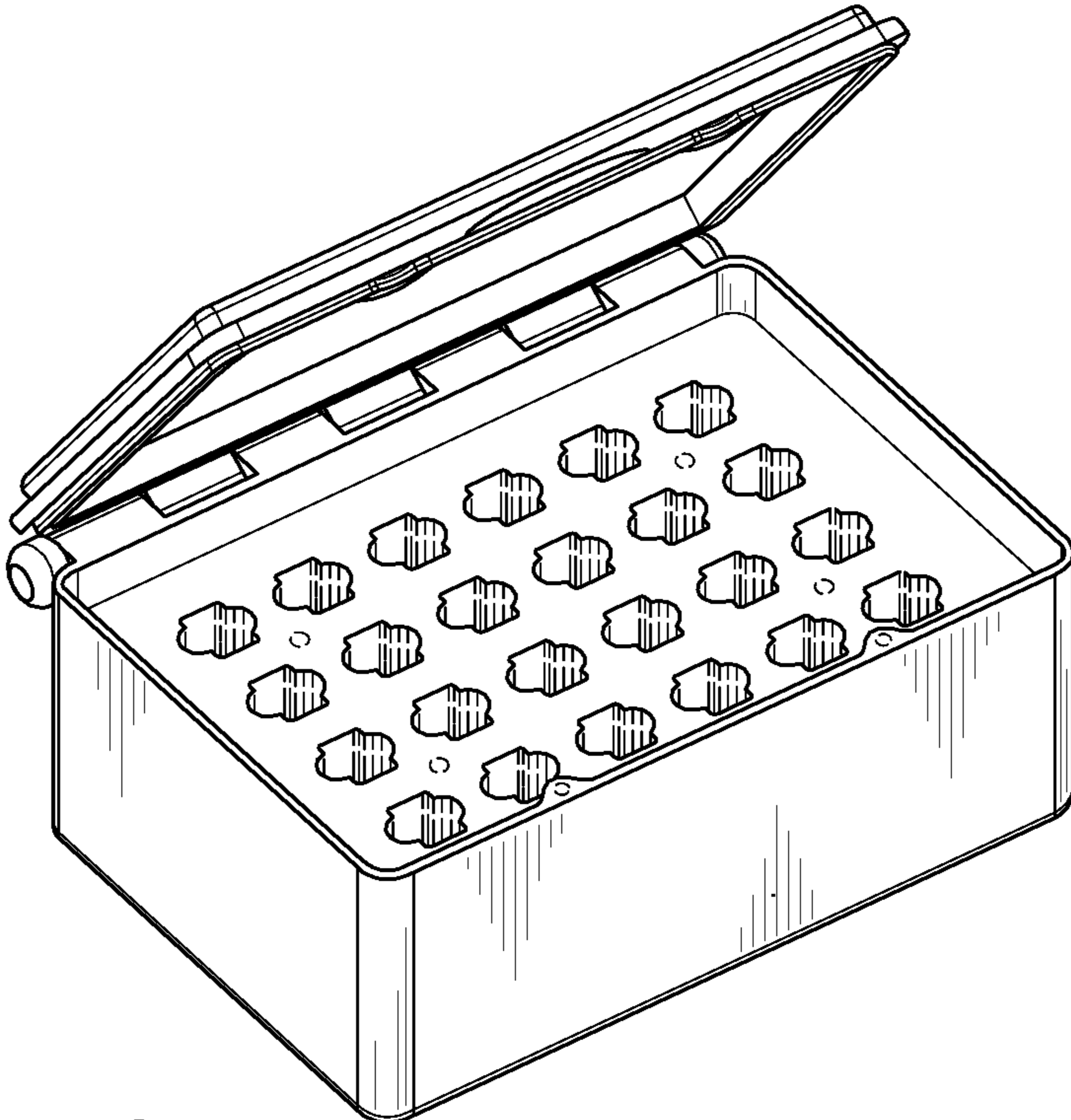


FIG. 1

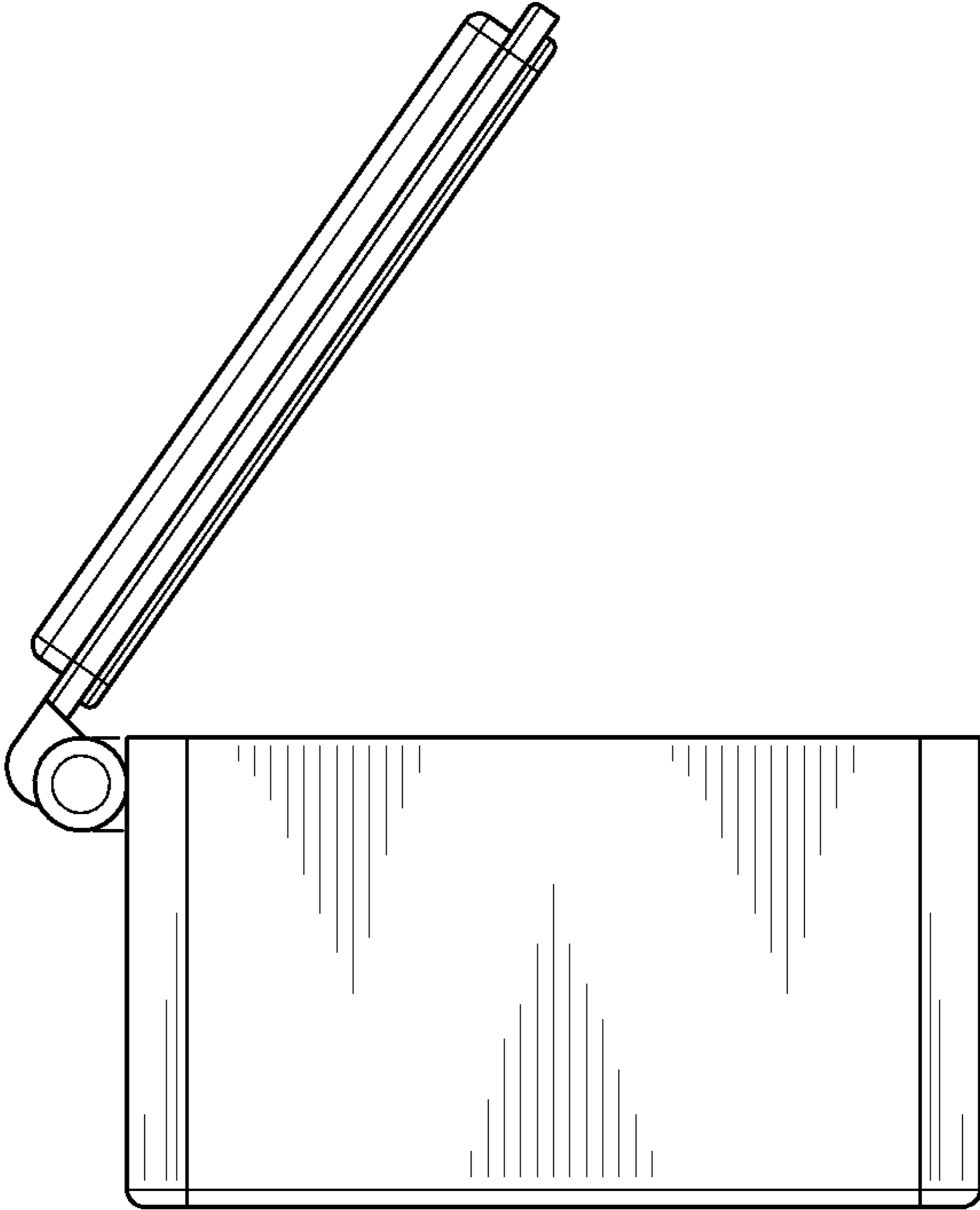


FIG. 2

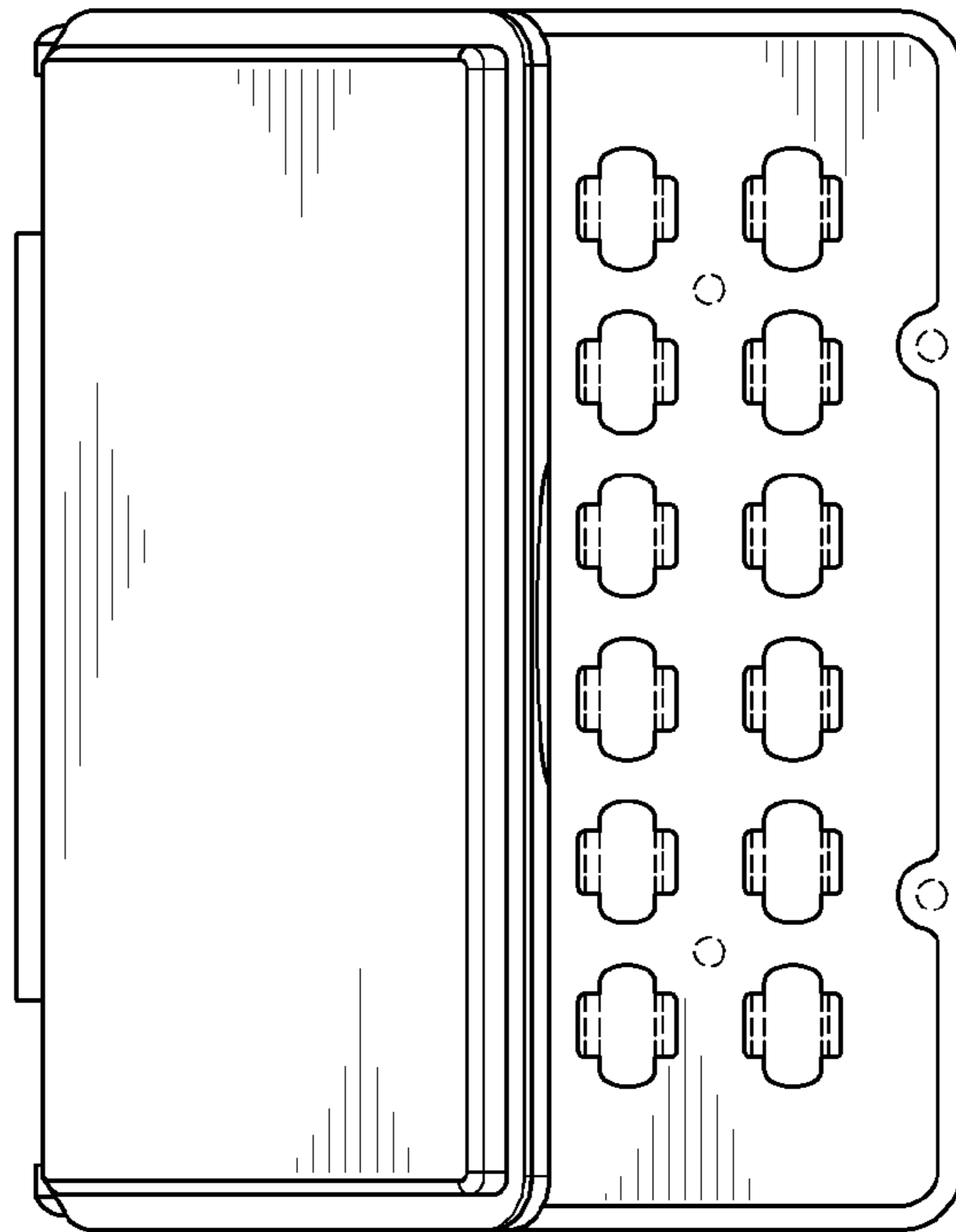


FIG. 3