



US00D733309S

(12) **United States Design Patent**
Ton

(10) **Patent No.:** **US D733,309 S**

(45) **Date of Patent:** **** Jun. 30, 2015**

(54) **PEDICURE SPA**

(71) Applicant: **Dat Ton**, Baton Rouge, LA (US)

(72) Inventor: **Dat Ton**, Baton Rouge, LA (US)

(73) Assignee: **ALFAFA NAIL SUPPLY, INC.**,
Baton Rouge, LA (US)

(**) Term: **14 Years**

(21) Appl. No.: **29/475,527**

(22) Filed: **Dec. 4, 2013**

(51) **LOC (10) Cl.** **23-02**

(52) **U.S. Cl.**
USPC **D24/203**

(58) **Field of Classification Search**
USPC D24/200–205, 212, 213; D28/56, 61;
D6/336, 495; 601/6, 15, 64, 157–158,
601/30–32; 4/622, 574.1

See application file for complete search history.

(56) **References Cited**

U.S. PATENT DOCUMENTS

6,503,212	B2 *	1/2003	Park	601/158
D568,485	S *	5/2008	Ton	D24/204
D569,986	S *	5/2008	Ton	D24/204
D588,707	S *	3/2009	Mai et al.	D24/213

D600,815	S *	9/2009	Ton	D24/204
D608,454	S *	1/2010	Mai et al.	D24/213
D608,898	S *	1/2010	Ton	D24/204
D618,815	S *	6/2010	Dang	D24/204
D619,727	S *	7/2010	Le	D24/204
D635,785	S *	4/2011	Ton	D6/336
D635,786	S *	4/2011	Ton	D6/336
D640,387	S *	6/2011	Tran	D24/204
D641,485	S *	7/2011	Mai	D24/204

* cited by examiner

Primary Examiner — David Muller

(74) *Attorney, Agent, or Firm* — Minh N. Nguyen; Next IP Law Group LLP

(57) **CLAIM**

The ornamental design for a pedicure spa, as shown and described.

DESCRIPTION

FIG. 1 is a perspective view showing the front, right side and top views of my new pedicure spa showing my new design; FIG. 2 is a perspective view showing the rear, left side and top views thereof;

FIG. 3 is a right side elevation view thereof; the left side elevation view being a mirror image;

FIG. 4 is a top plan view thereof;

FIG. 5 is a front elevation view thereof; and,

FIG. 6 is a rear elevation view thereof.

The features shown in broken line depict environmental structure only and form no part of the claimed design.

1 Claim, 3 Drawing Sheets

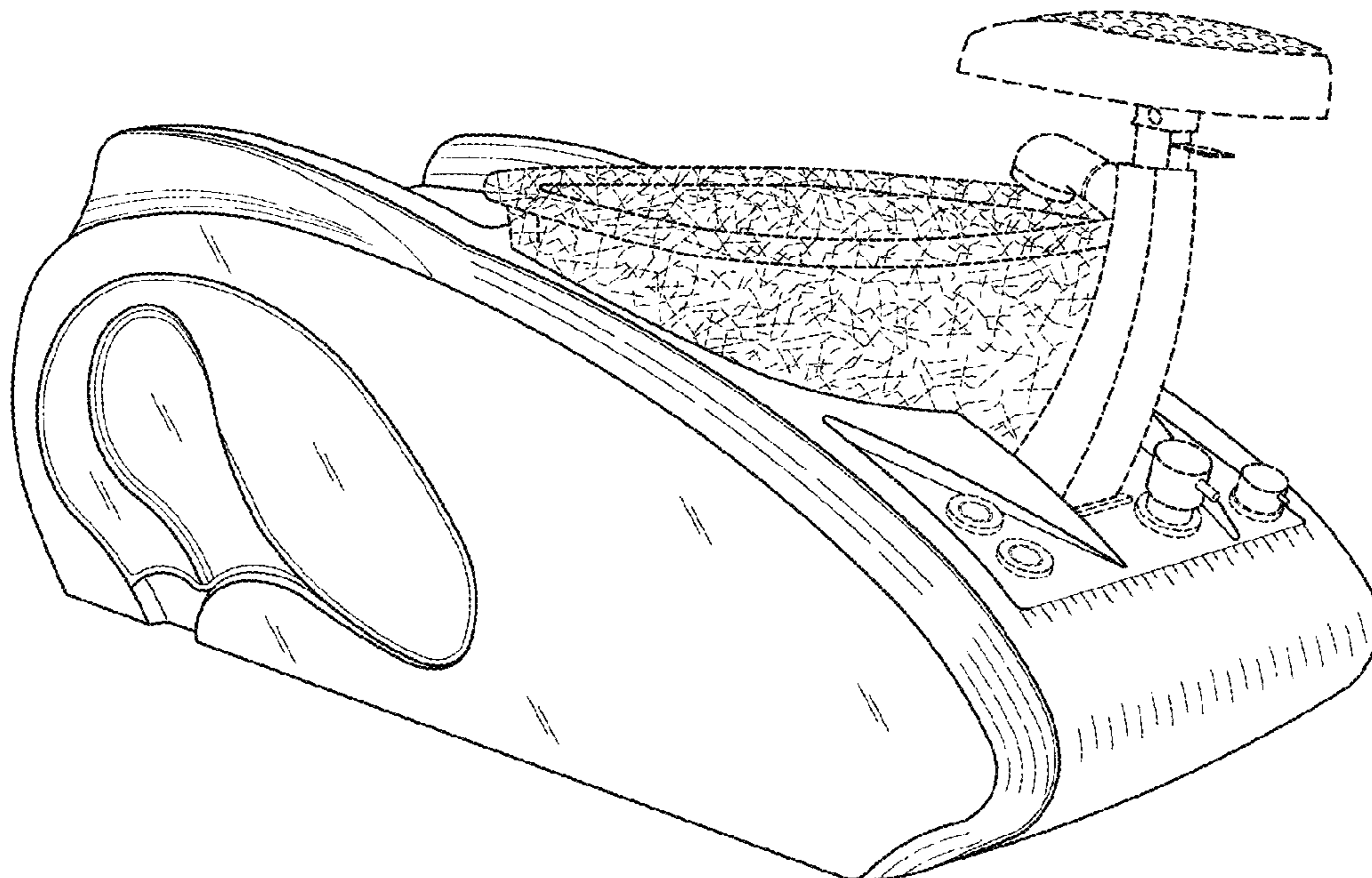


FIG. 1

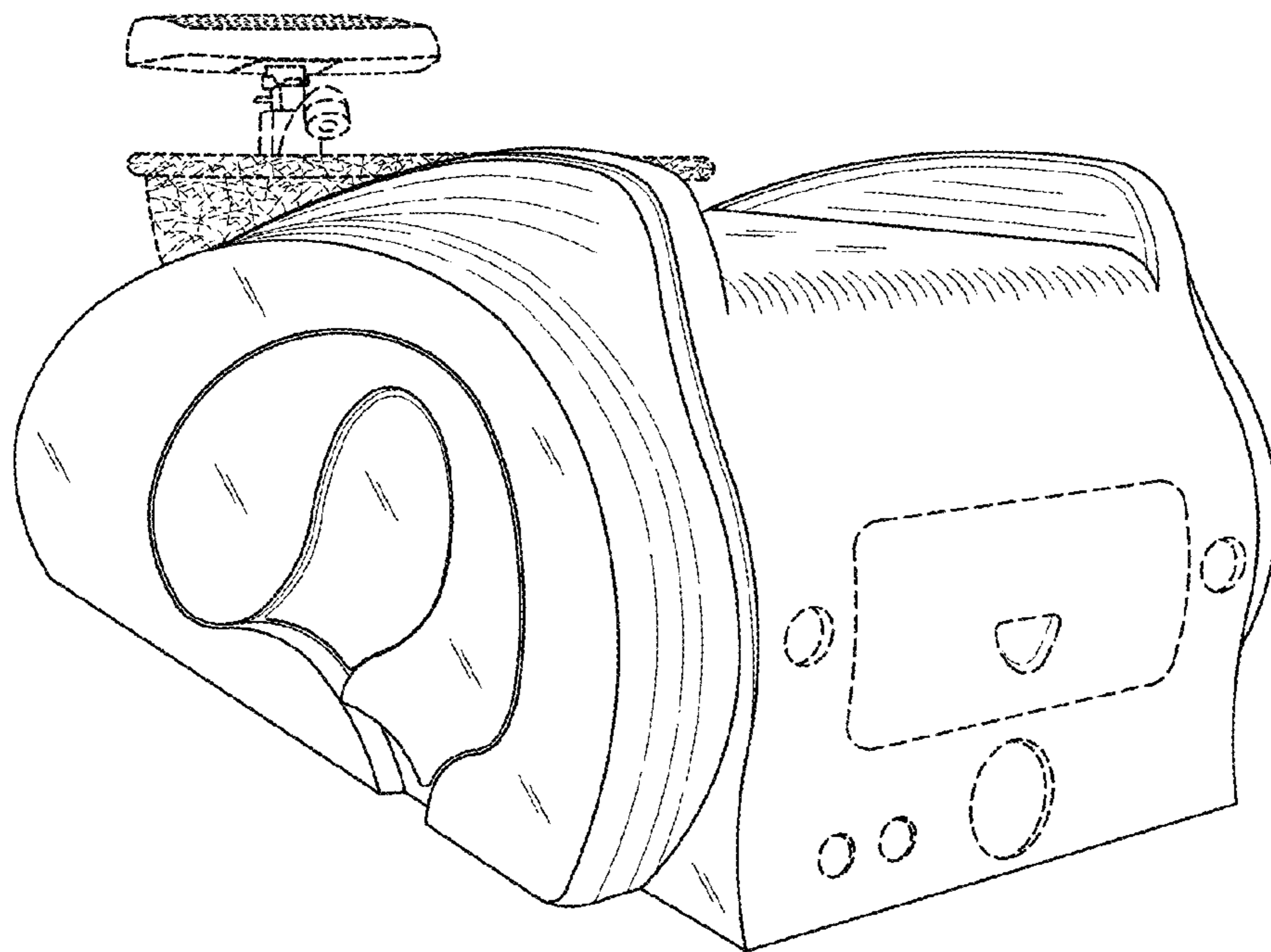
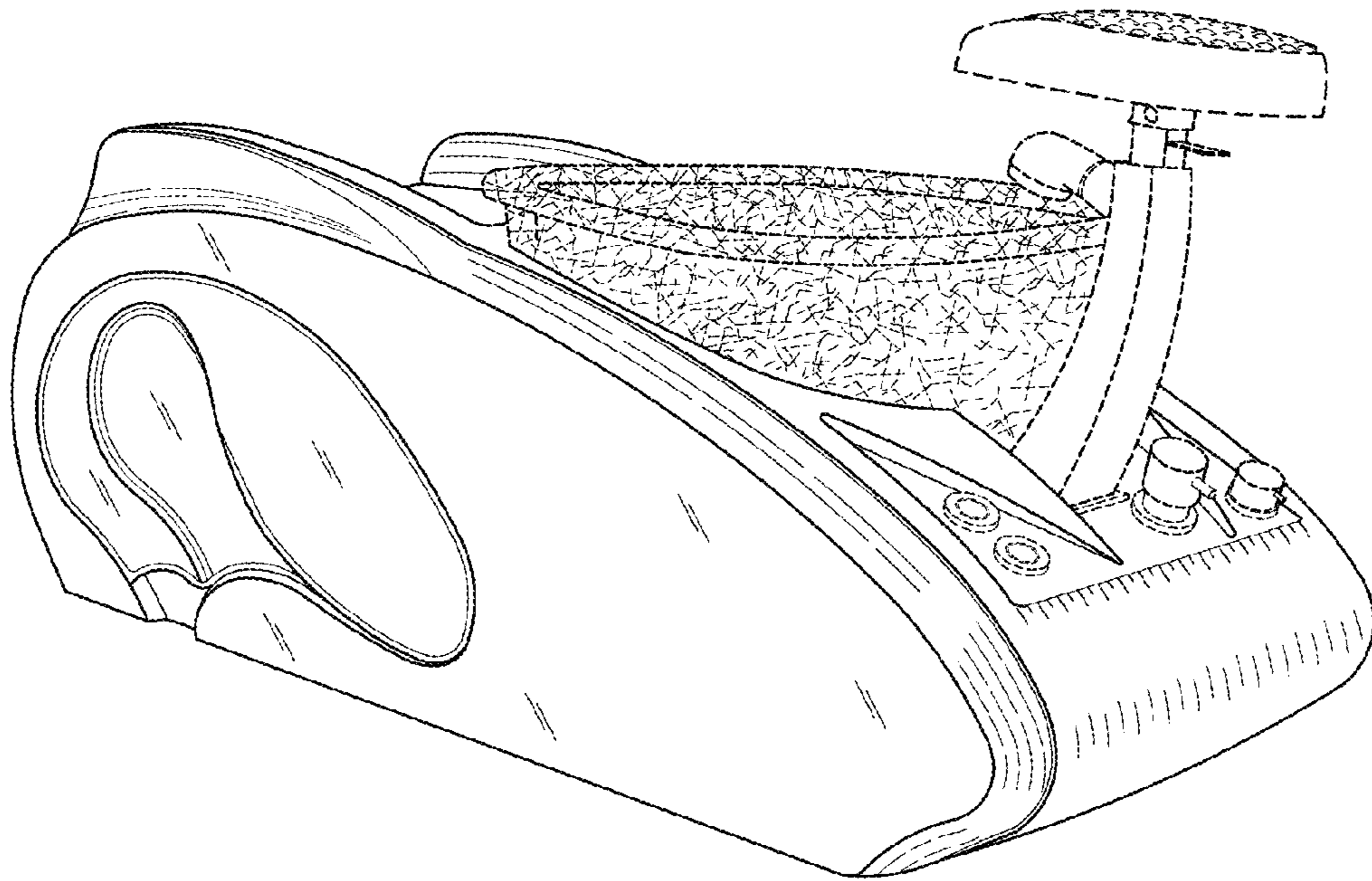


FIG. 2

FIG. 3

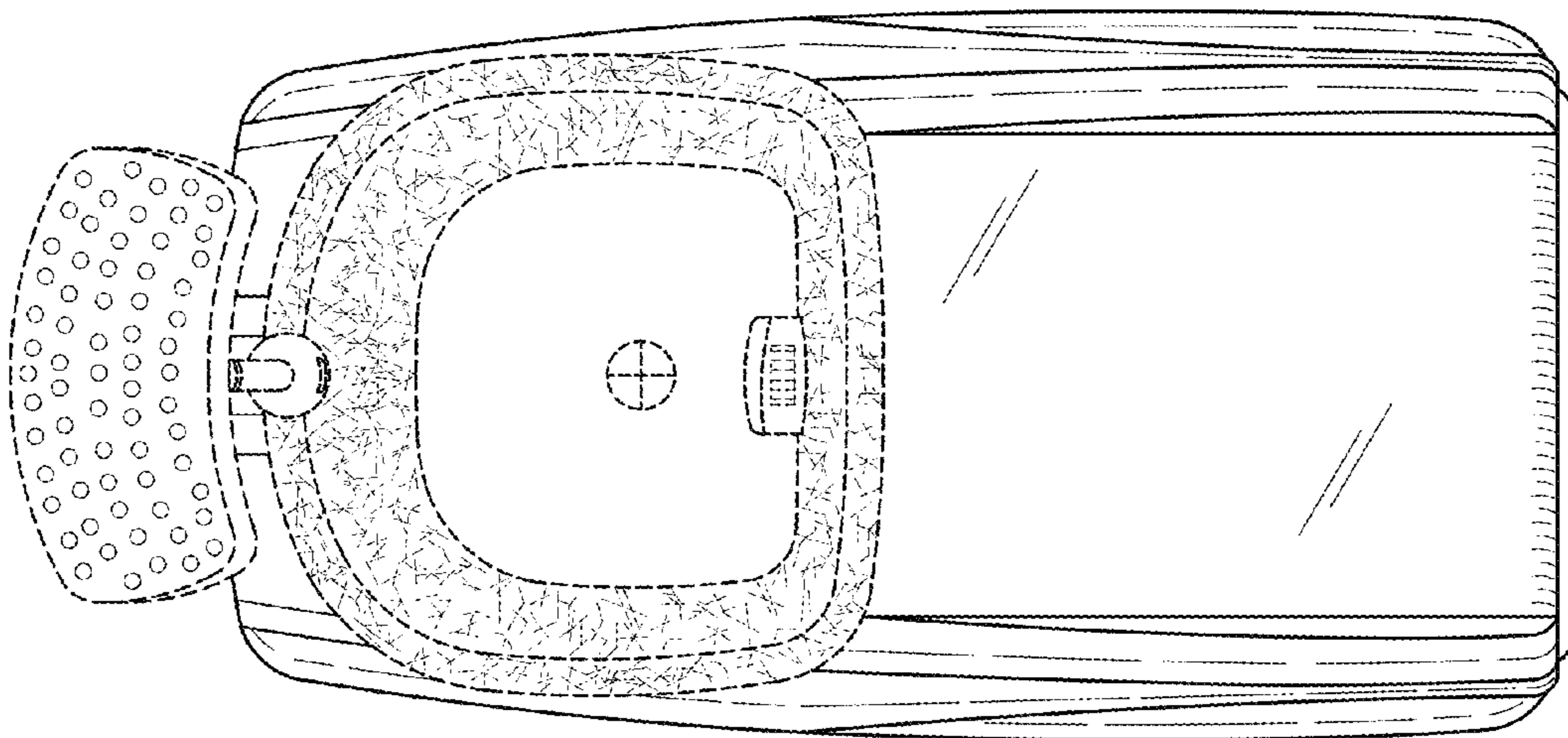
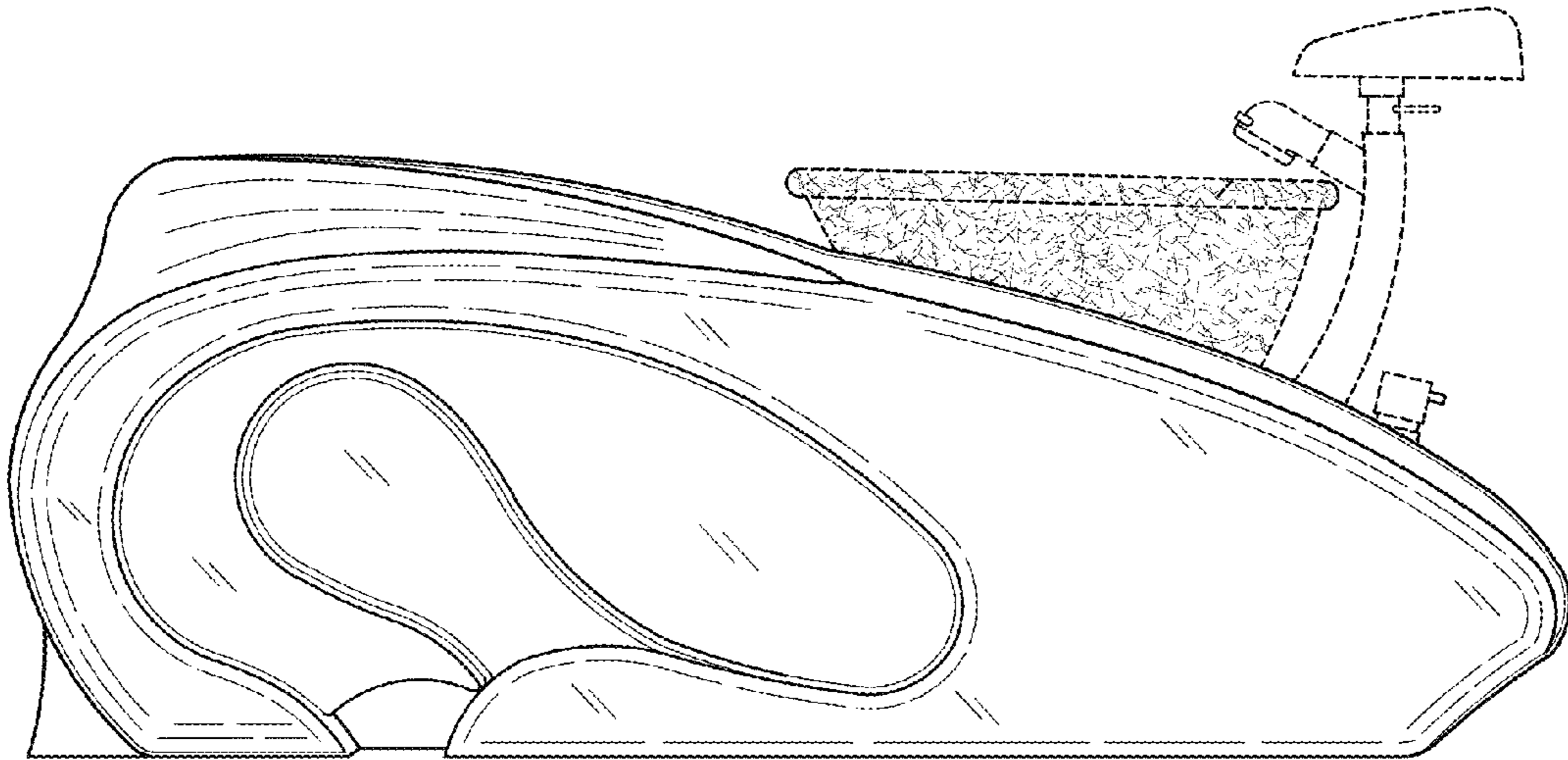


FIG. 4

FIG. 5

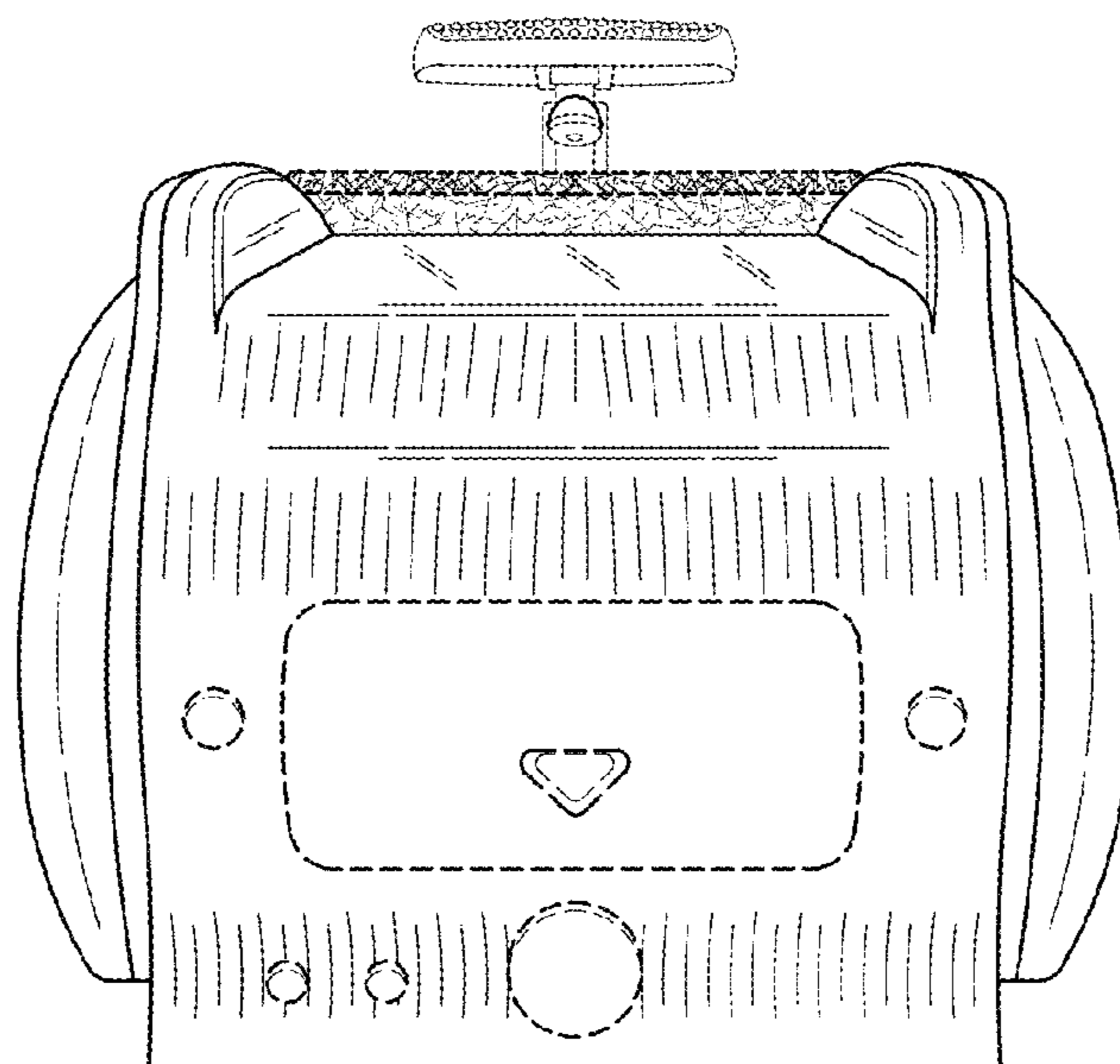
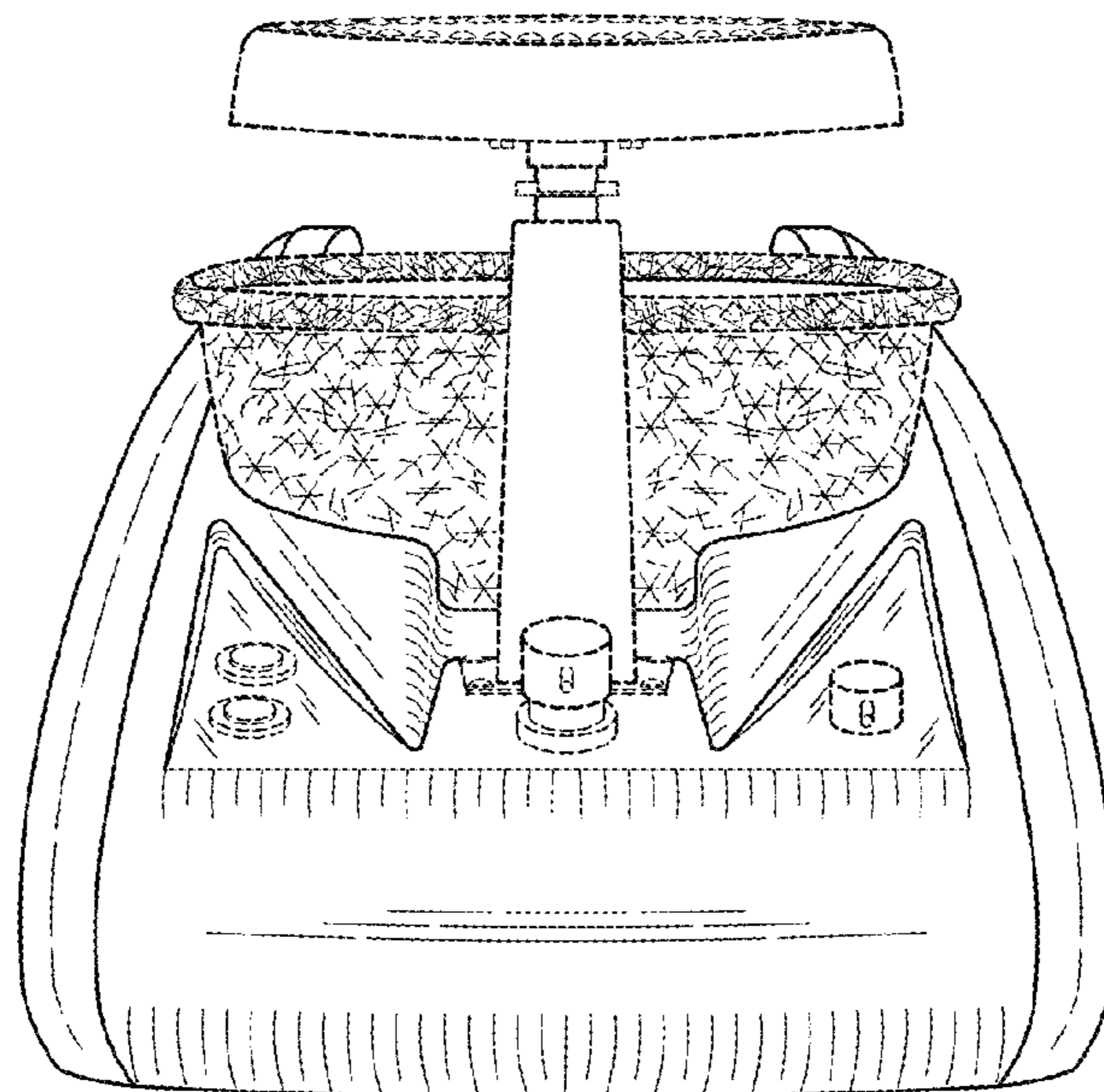


FIG. 6