



US00D733308S

(12) **United States Design Patent**  
**Pierenkemper**

(10) **Patent No.:** **US D733,308 S**  
(45) **Date of Patent:** **\*\* Jun. 30, 2015**

(54) **ELECTROSTIMULATION APPARATUS**

(71) Applicant: **Pierenkemper GmbH**, Ehringshausen (DE)

(72) Inventor: **Roger Pierenkemper**, Marburg (DE)

(73) Assignee: **Pierenkemper GmbH**, Ehringshausen (DE)

(\*\*) Term: **14 Years**

(21) Appl. No.: **29/483,445**

(22) Filed: **Feb. 28, 2014**

(30) **Foreign Application Priority Data**

Oct. 2, 2013 (EM) ..... 002319442-0001

(51) **LOC (10) CL.** ..... **24-01**

(52) **U.S. CL.**  
USPC ..... **D24/200**

(58) **Field of Classification Search**  
USPC ..... D14/455; D24/158, 170, 184, 186, 187,  
D24/188, 189, 190, 191, 192, 200, 211,  
D24/214; 607/152

CPC .... A61N 1/0452; A61N 1/0456; A61N 1/048  
See application file for complete search history.

(56) **References Cited**

U.S. PATENT DOCUMENTS

D357,742 S *	4/1995	Peery et al.	.....	D24/189
5,899,616 A *	5/1999	Caplan	.....	400/489
D437,058 S *	1/2001	Gozani	.....	D24/186
D523,146 S *	6/2006	Ogiwara	.....	D24/158
D540,335 S *	4/2007	Downs et al.	.....	D14/455
D540,808 S *	4/2007	Sitalasai et al.	.....	D14/455
D613,297 S *	4/2010	Wang et al.	.....	D14/455
D630,751 S *	1/2011	Yanase et al.	.....	D24/158
D670,395 S *	11/2012	Wakamatsu et al.	.....	D24/189

D700,188 S *	2/2014	Gengler	.....	D14/455
2007/0173916 A1 *	7/2007	Axelgaard	.....	607/152
2013/0211488 A1 *	8/2013	Axelgaard	.....	607/152

FOREIGN PATENT DOCUMENTS

KR 10-2012-0041525 A 5/2012

OTHER PUBLICATIONS

YouTube. StimaWELL. Aug. 4, 2014 [online], [site visited Mar. 4, 2015]. Available from Internet, <URL:https://www.youtube.com/watch?v=DwQ\_vdnBfbE>.\*

Wikimedia Commons. StimaWELL Electrotherapy. Sep. 11, 2013 [online], [site visited Mar. 4, 2015]. Available from Internet, <URL:http://commons.wikimedia.org/wiki/File:StimaWELL\_Electrotherapie\_moyenne\_fr%C3%A9quence\_modulation\_BF.jpg>.\*

\* cited by examiner

*Primary Examiner* — Robert M Spear

*Assistant Examiner* — Darcey E Heflin

(74) *Attorney, Agent, or Firm* — Collard & Roe, P.C.

(57) **CLAIM**

The ornamental design for an electrostimulation apparatus, as shown and described.

**DESCRIPTION**

FIG. 1 is a top and left perspective of an electrostimulation apparatus, showing my new design;

FIG. 2 is a top plan view thereof;

FIG. 3 is a left side plan view thereof;

FIG. 4 is a right side plan view thereof;

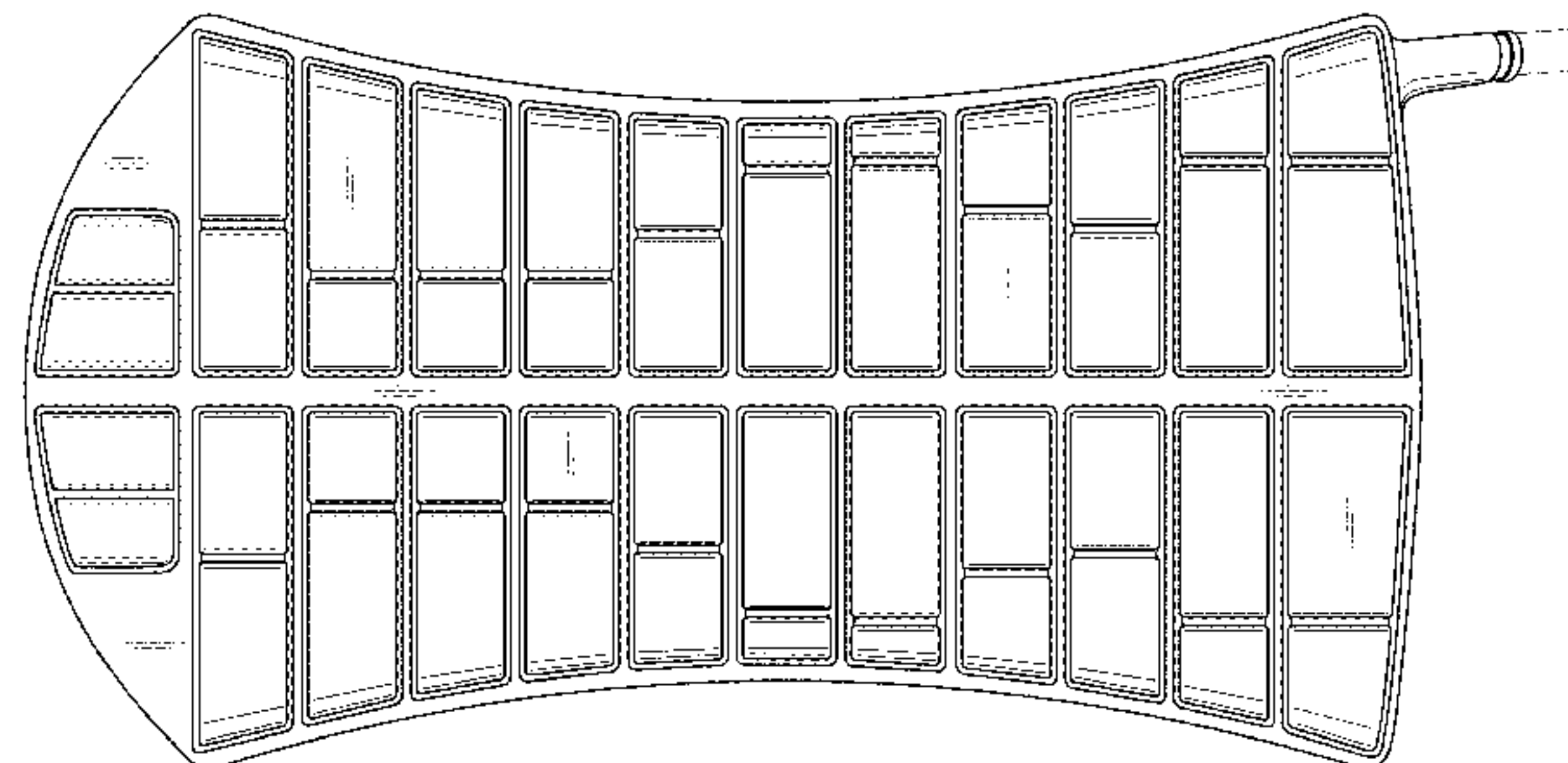
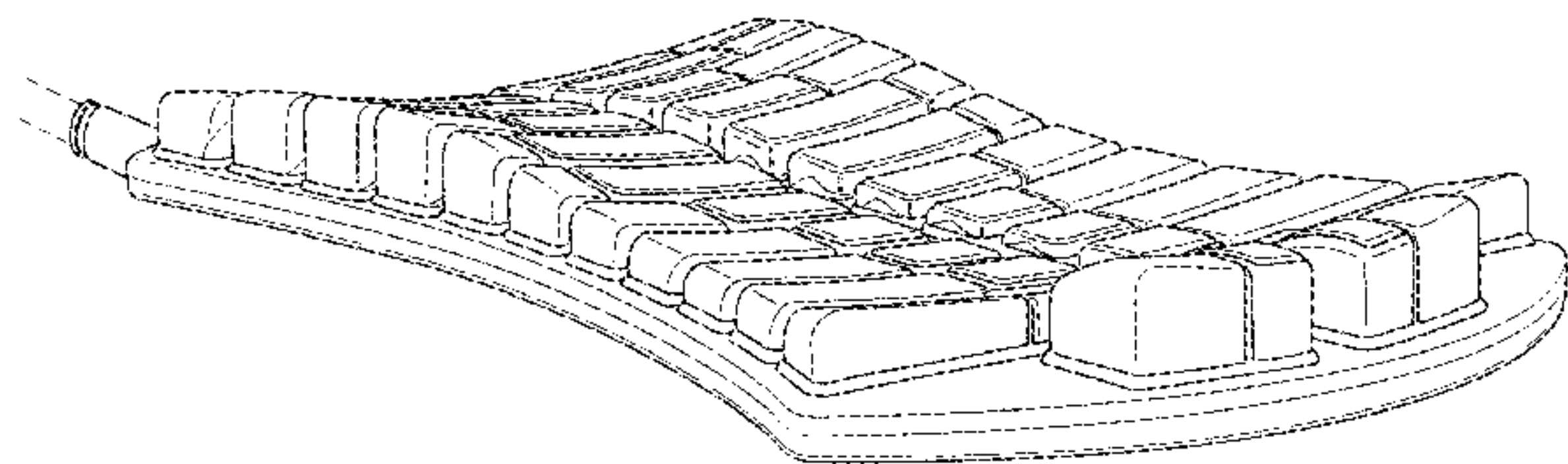
FIG. 5 is a front plan view thereof;

FIG. 6 is a rear plan view thereof; and,

FIG. 7 is a bottom plan view thereof.

In the drawings, the broken lines depict environmental subject matter and form no part of the claimed design.

**1 Claim, 5 Drawing Sheets**



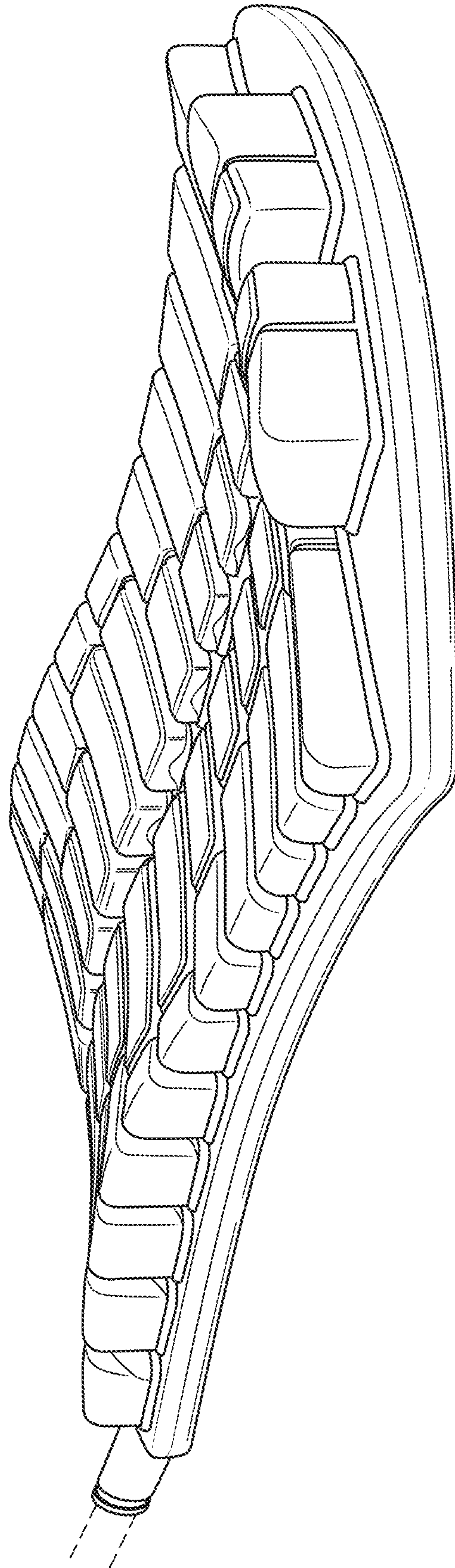


FIG. 1

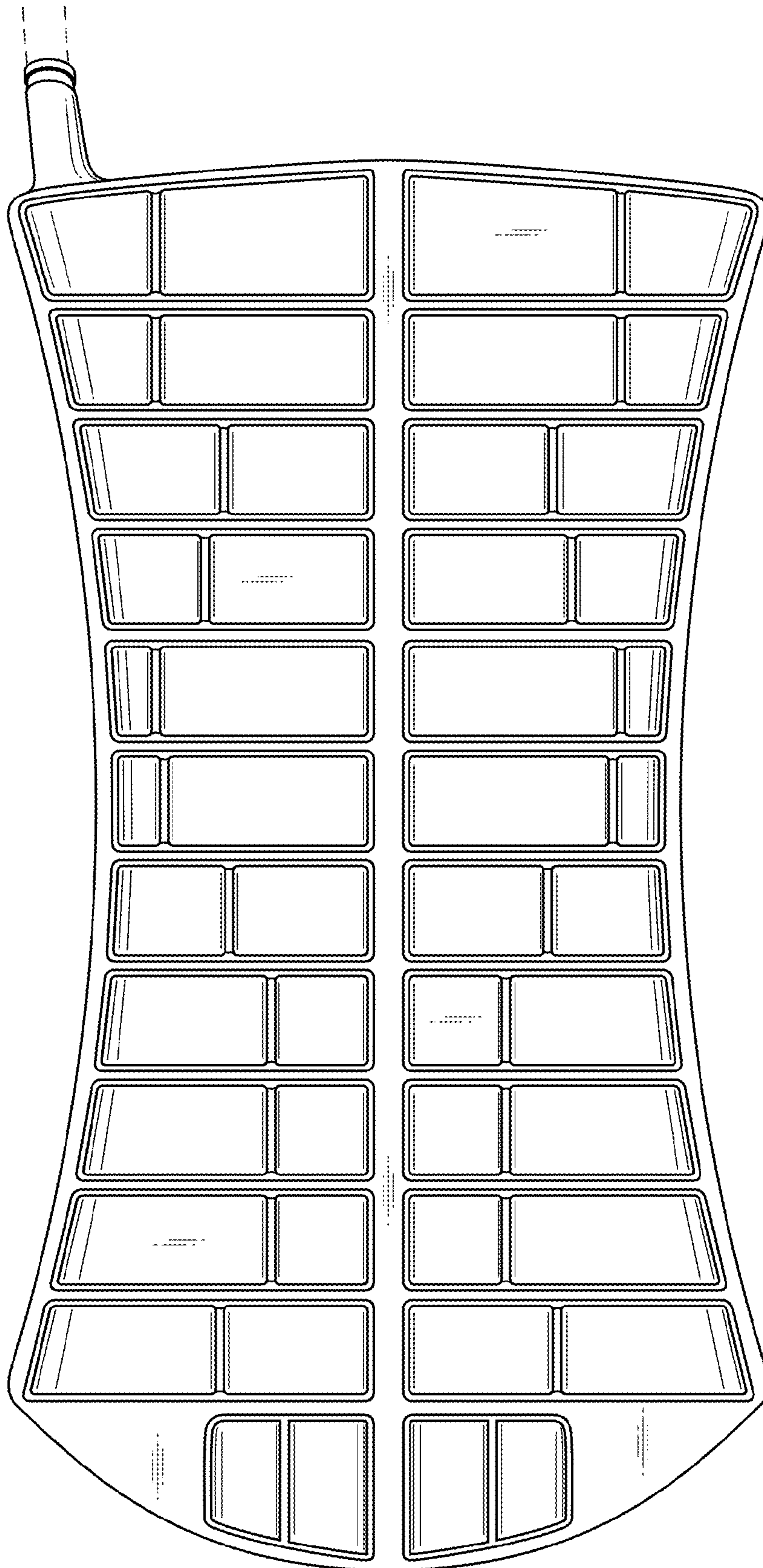


FIG. 2



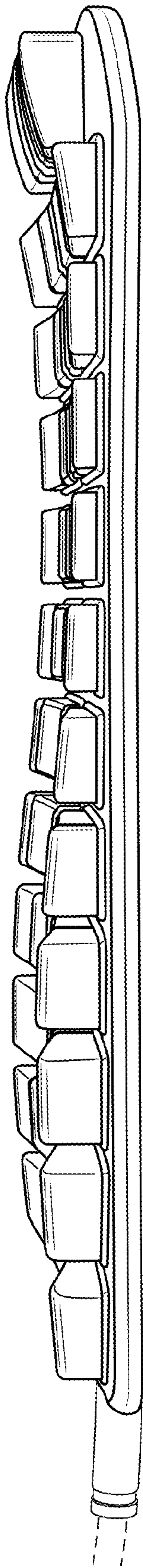


FIG. 3

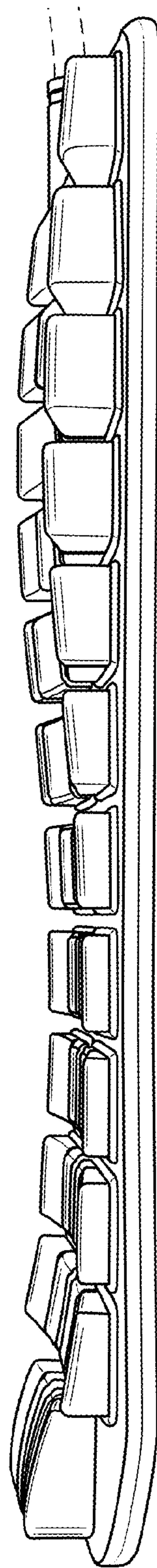


FIG. 4

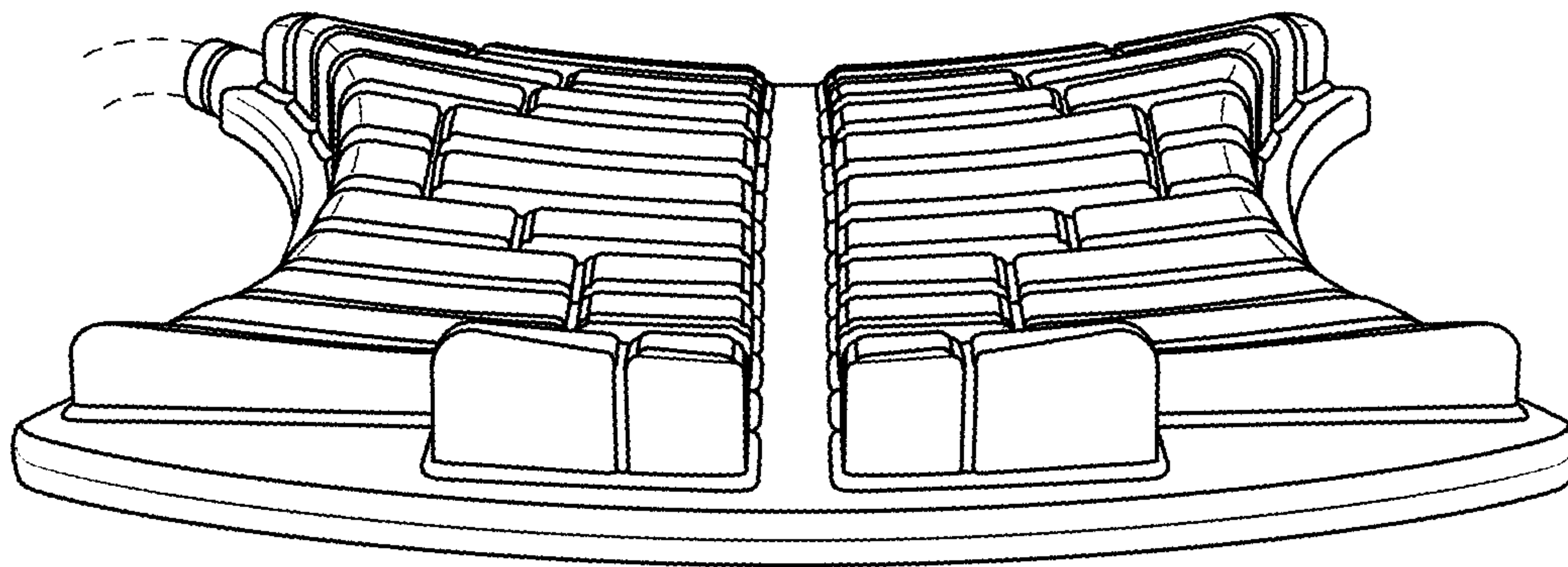


FIG. 5

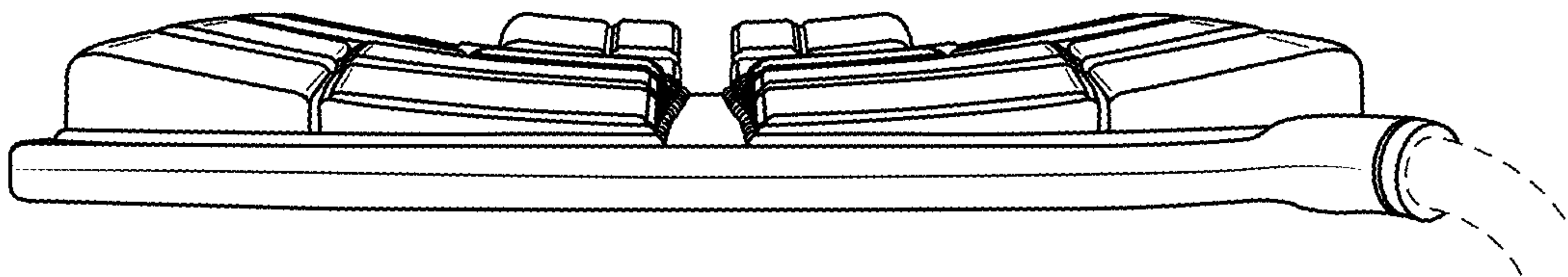


FIG. 6

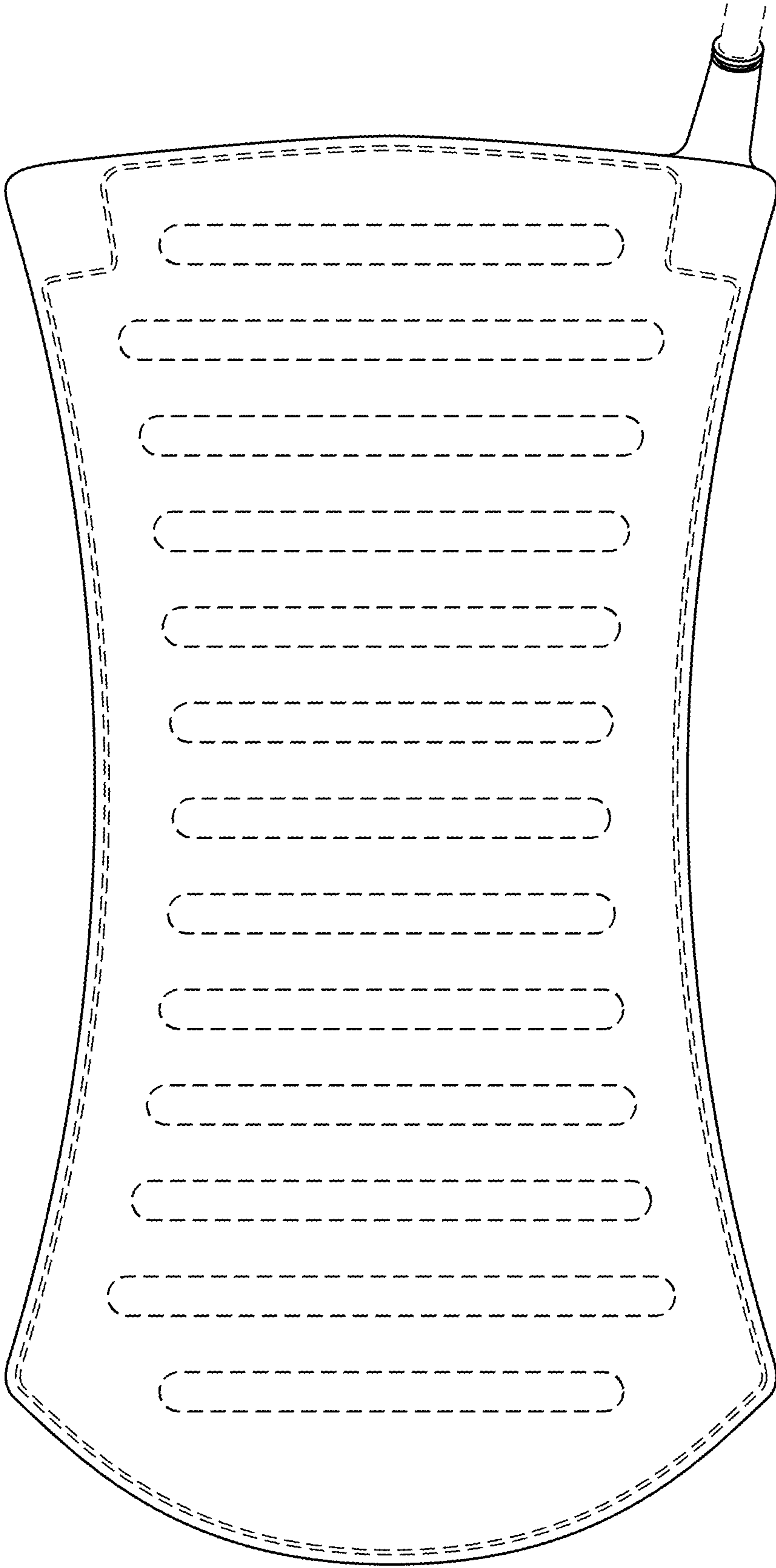


FIG. 7