



US00D733305S

(12) **United States Design Patent**  
**Miyashita et al.**

(10) **Patent No.:** **US D733,305 S**  
(45) **Date of Patent:** **\*\* Jun. 30, 2015**

(54) **TISSUE COMPRESSION APPARATUS**

(71) Applicants: **Yusuke Miyashita**, San Mateo, CA (US); **Remy O'Leary Pieron**, San Francisco, CA (US); **Brian Joseph Mason**, Palo Alto, CA (US); **John W. Lai**, San Bruno, CA (US)

(72) Inventors: **Yusuke Miyashita**, San Mateo, CA (US); **Remy O'Leary Pieron**, San Francisco, CA (US); **Brian Joseph Mason**, Palo Alto, CA (US); **John W. Lai**, San Bruno, CA (US)

(73) Assignee: **Medtronic Vascular, Inc.**, Santa Rosa, CA (US)

(\*\*) Term: **14 Years**

(21) Appl. No.: **29/470,946**

(22) Filed: **Oct. 25, 2013**

(51) **LOC (10) Cl.** ..... **24-01**

(52) **U.S. Cl.**  
USPC ..... **D24/169**

(58) **Field of Classification Search**  
USPC ..... D24/143, 165-169, 186, 189; 606/201, 606/202, 203, 204, 157; 24/486; 602/46; 600/499; 128/DIG. 20; D8/394-396  
See application file for complete search history.

(56) **References Cited**

**U.S. PATENT DOCUMENTS**

721,162 A	2/1903	Denain
1,870,052 A	11/1930	Jones
1,824,516 A	9/1931	Tyvand
2,271,927 A	6/1938	Saighman
2,316,158 A	4/1943	Eschner
2,332,107 A	10/1943	Nieburgs
2,344,021 A	3/1944	Bouziane
2,387,642 A	10/1945	Calhoun
3,171,410 A	3/1965	Towle, Jr. et al.

3,654,931 A	4/1972	Hazlewood
4,005,709 A	2/1977	Laerdal
4,297,996 A	11/1981	Uriza
4,834,802 A	5/1989	Prier
5,507,721 A	4/1996	Shippert
5,601,597 A	2/1997	Arrowood et al.
D381,427 S *	7/1997	Marrero ..... D24/169
5,690,610 A	11/1997	Ito et al.
5,873,890 A	2/1999	Porat

(Continued)

**FOREIGN PATENT DOCUMENTS**

CN	201175360	1/2009
CN	10192666	12/2010

(Continued)

**OTHER PUBLICATIONS**

Air-Band Radial Compression Device, Instructions for use, pp. 1-88, 2013.

*Primary Examiner* — Anhdao Doan

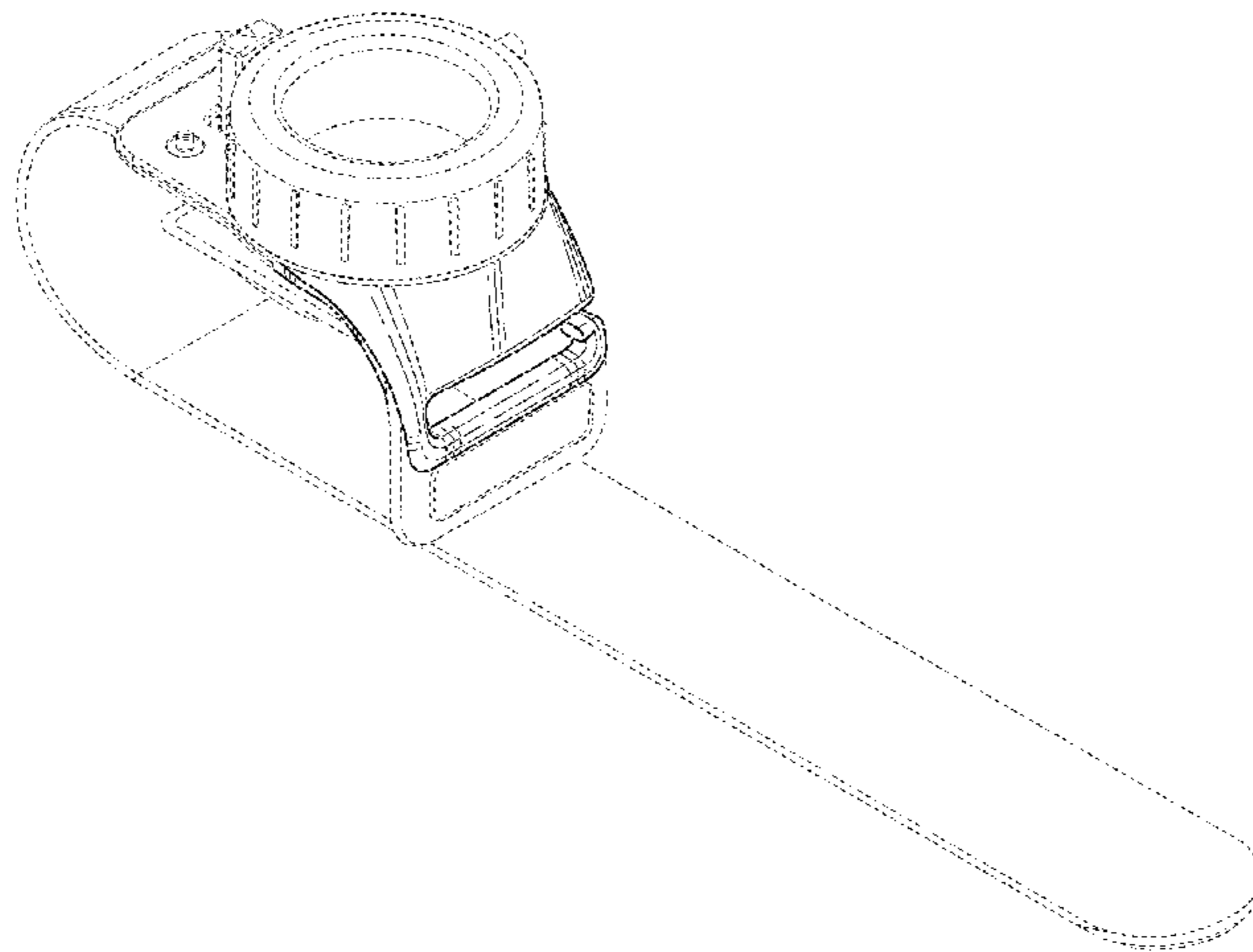
(57) **CLAIM**

The ornamental design for a tissue compression apparatus, as shown and described.

**DESCRIPTION**

FIG. 1 is a left-side perspective view of a tissue compression apparatus;  
FIG. 2 is a right-side perspective view of the apparatus of FIG. 1;  
FIG. 3 is a top view of the apparatus of FIG. 1;  
FIG. 4 is a bottom view of the apparatus of FIG. 1;  
FIG. 5 is a right side view of the apparatus of FIG. 1;  
FIG. 6 is a left side view of the apparatus of FIG. 1;  
FIG. 7 is a rear view of the apparatus of FIG. 1; and,  
FIG. 8 is a front view of the apparatus of FIG. 1.  
The broken lines in the figures do not form a part of the claimed design.

**1 Claim, 6 Drawing Sheets**



(56)

References Cited

U.S. PATENT DOCUMENTS

5,968,072 A 10/1999 Hite et al.  
 6,217,601 B1 4/2001 Chao  
 D444,054 S \* 6/2001 Bernard et al. .... D8/396  
 6,506,206 B1 1/2003 Guzman et al.  
 6,593,508 B1 7/2003 Harder  
 6,752,820 B1 6/2004 Hafemann  
 6,827,727 B2 12/2004 Stalemark et al.  
 7,135,032 B2 11/2006 Akerfeldt  
 7,247,163 B2 7/2007 Akerfeldt  
 7,582,102 B2 9/2009 Heinz et al.  
 7,637,921 B2 12/2009 Akerfeldt et al.  
 7,652,190 B2 1/2010 Johnson  
 D619,256 S \* 7/2010 Brady et al. .... D24/167  
 D619,451 S \* 7/2010 Carlesso ..... D8/395  
 7,927,295 B2 4/2011 Bates et al.  
 8,034,009 B2 10/2011 Bates et al.  
 8,353,927 B2 \* 1/2013 Lampropoulos et al. .... 606/204  
 8,439,943 B2 5/2013 Chao  
 8,708,991 B2 \* 4/2014 Turner et al. .... 606/203  
 D719,264 S \* 12/2014 Law ..... D24/167  
 2003/0055453 A1 3/2003 Akerfeldt  
 2003/0139696 A1 7/2003 Boukanov et al.  
 2004/0068290 A1 4/2004 Bates et al.  
 2004/0143289 A1 7/2004 Zahler et al.  
 2004/0243044 A1 \* 12/2004 Penegor et al. .... 602/48  
 2007/0191881 A1 8/2007 Amisar et al.

2007/0293888 A1 12/2007 Harren et al.  
 2008/0216213 A1 9/2008 Lin et al.  
 2008/0312682 A1 12/2008 Shams et al.  
 2009/0234261 A1 9/2009 Singh  
 2009/0318952 A1 12/2009 Bates et al.  
 2009/0318953 A1 12/2009 Bates et al.  
 2011/0130739 A1 6/2011 Fitzpatrick et al.  
 2011/0202089 A1 8/2011 Sun  
 2012/0053617 A1 3/2012 Benz et al.  
 2012/0089109 A1 \* 4/2012 Turner et al. .... 604/385.01  
 2012/0116444 A1 5/2012 Zodnik et al.  
 2012/0150215 A1 6/2012 Donald  
 2012/0191127 A1 7/2012 Guillot  
 2012/0226306 A1 9/2012 Jackson et al.  
 2012/0296369 A1 11/2012 Atthoff et al.  
 2013/0123649 A1 \* 5/2013 McCulloch et al. .... 600/499  
 2013/0123836 A1 5/2013 Lampropoulos et al.

FOREIGN PATENT DOCUMENTS

CN 203059815 7/2013  
 EP 0654287 5/1995  
 EP 1671580 6/2006  
 EP 2781238 9/2014  
 GB 190912486 3/1910  
 GB 239717 9/1925  
 JP H0523402 2/1993  
 WO WO2012099533 7/2012

\* cited by examiner

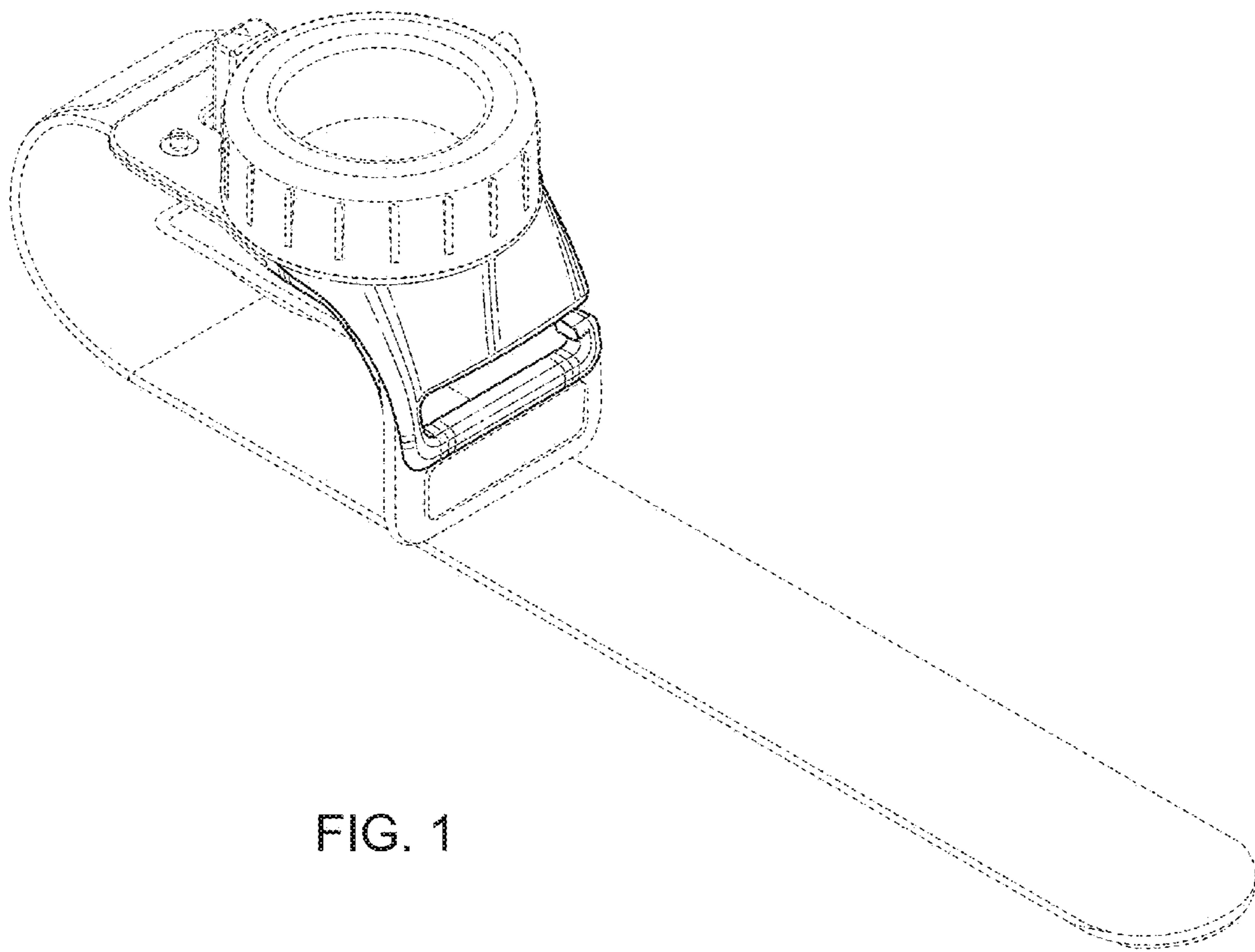
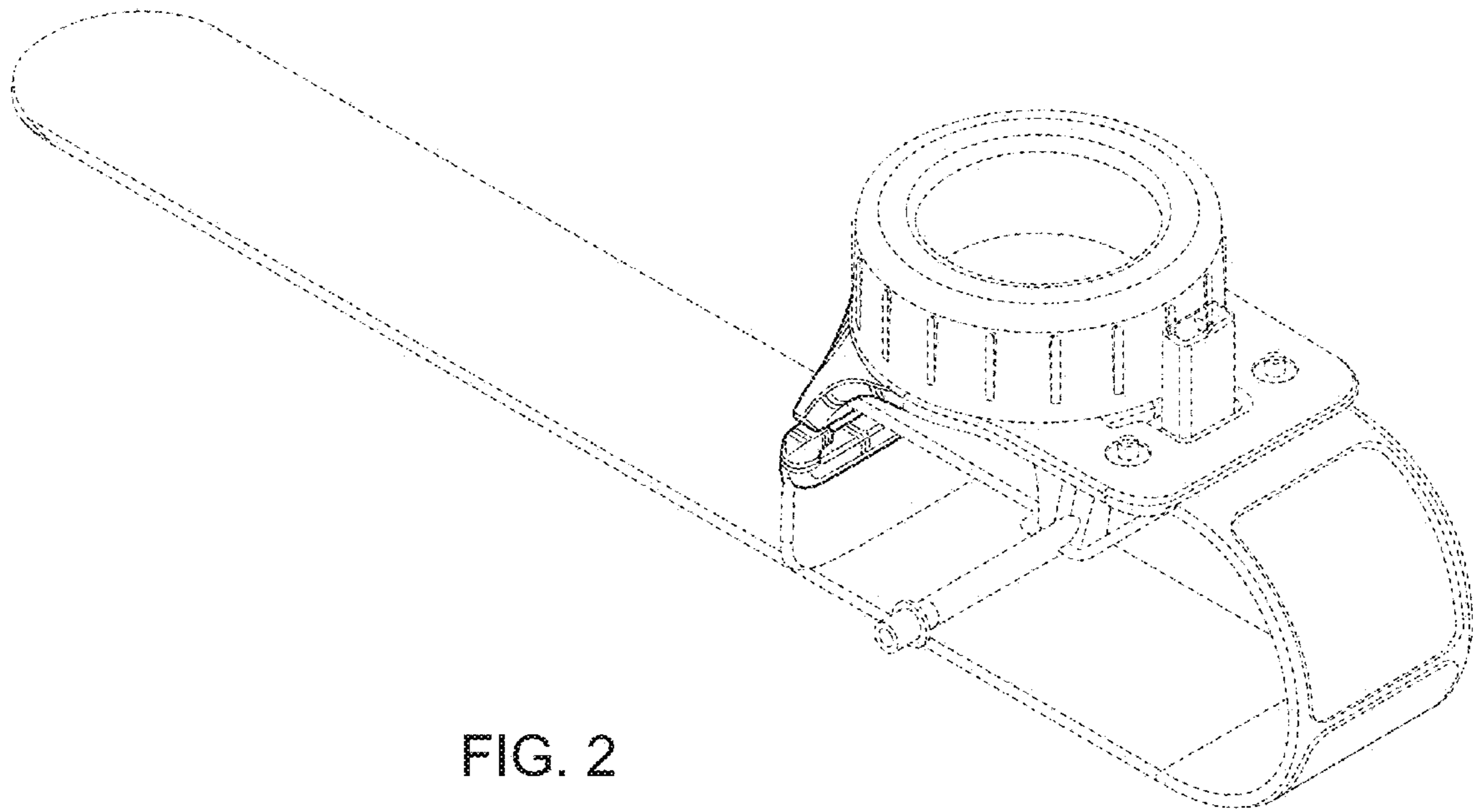


FIG. 1



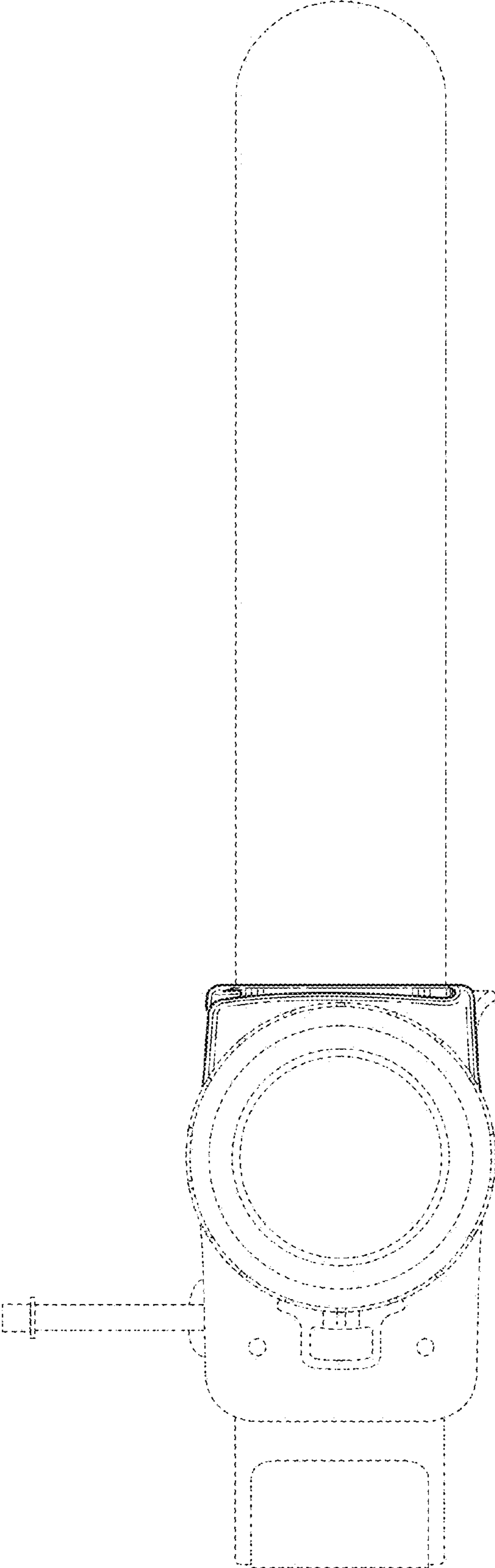


FIG. 3

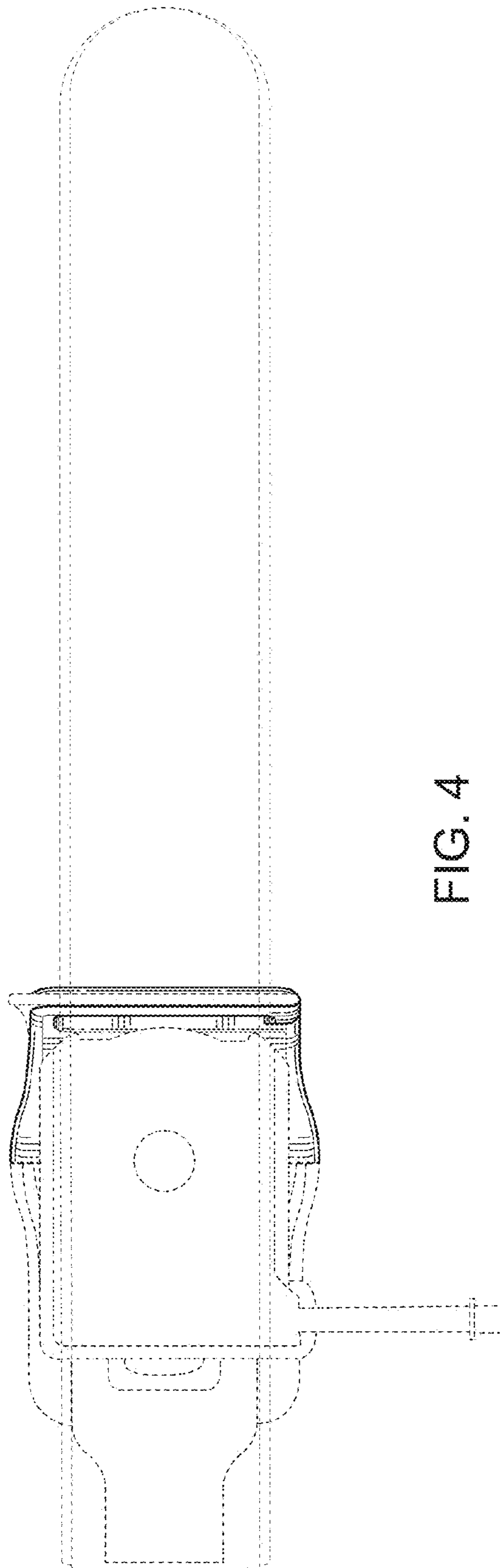


FIG. 4

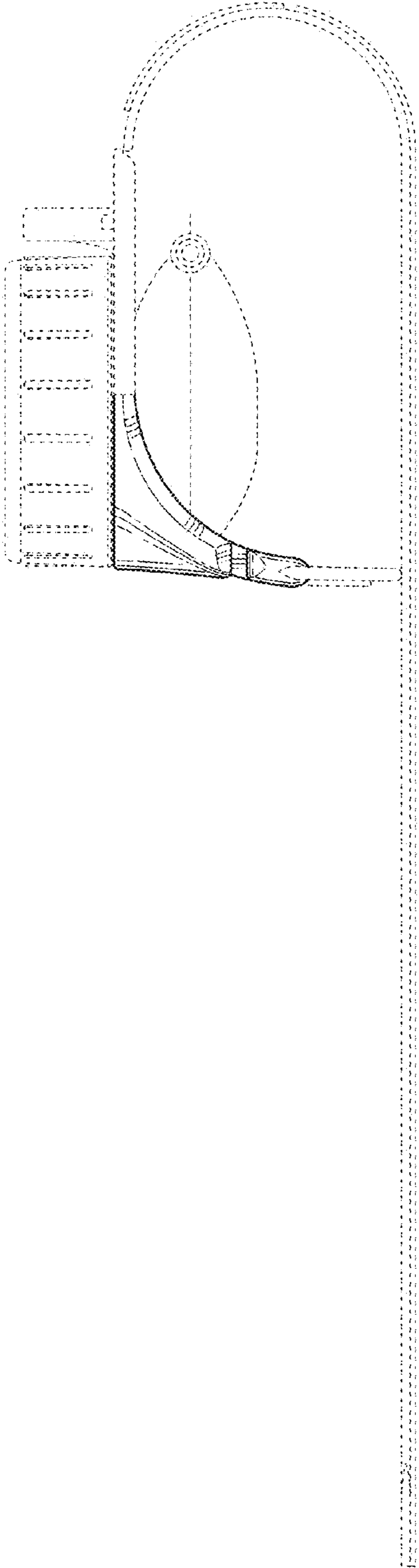


FIG. 5

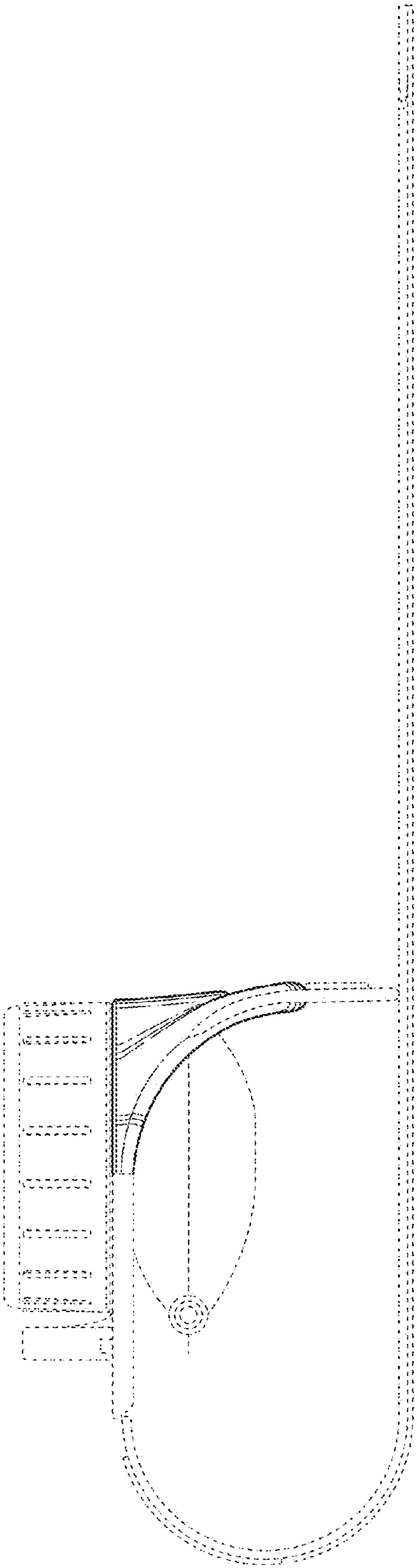


FIG. 6

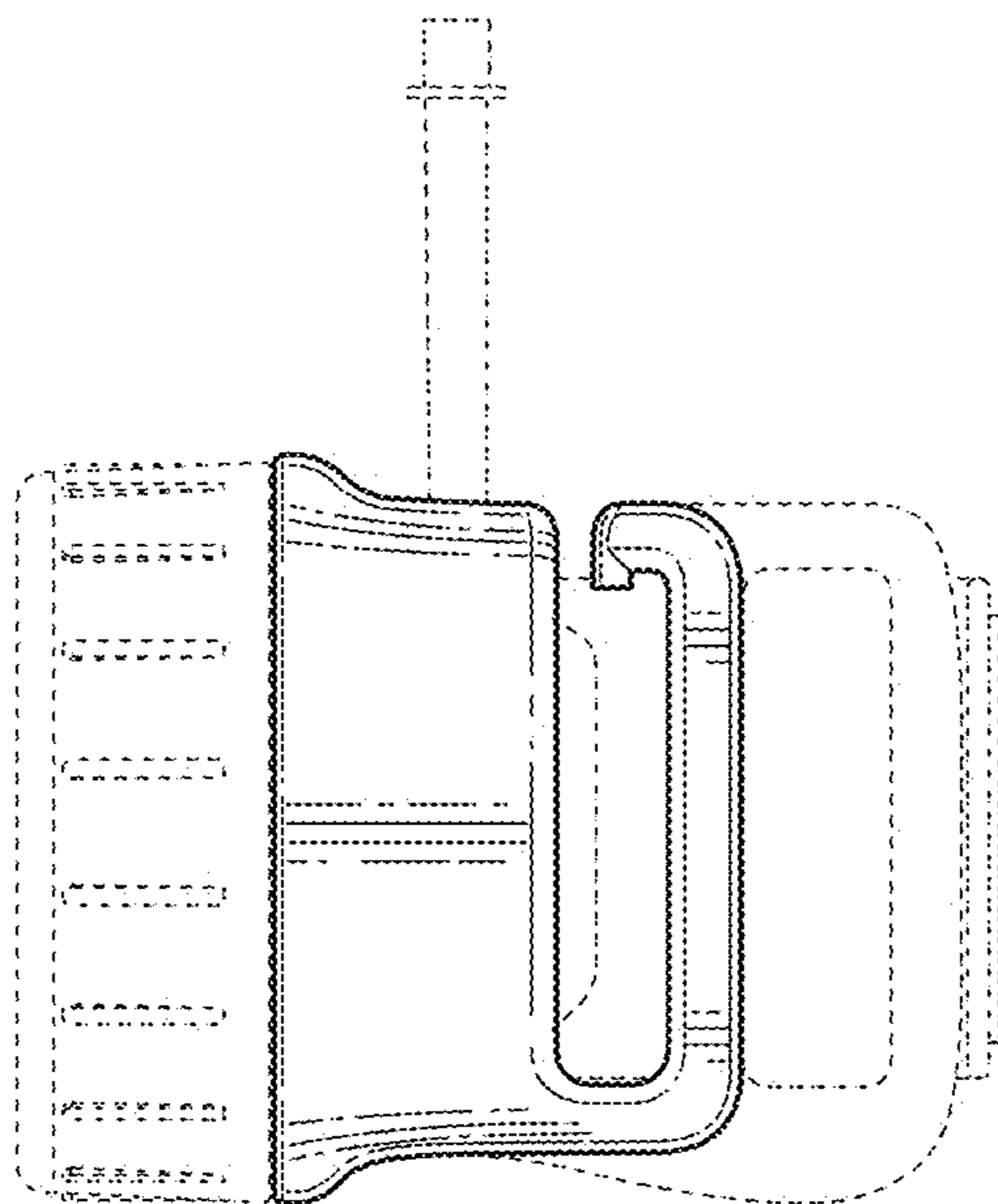


FIG. 8

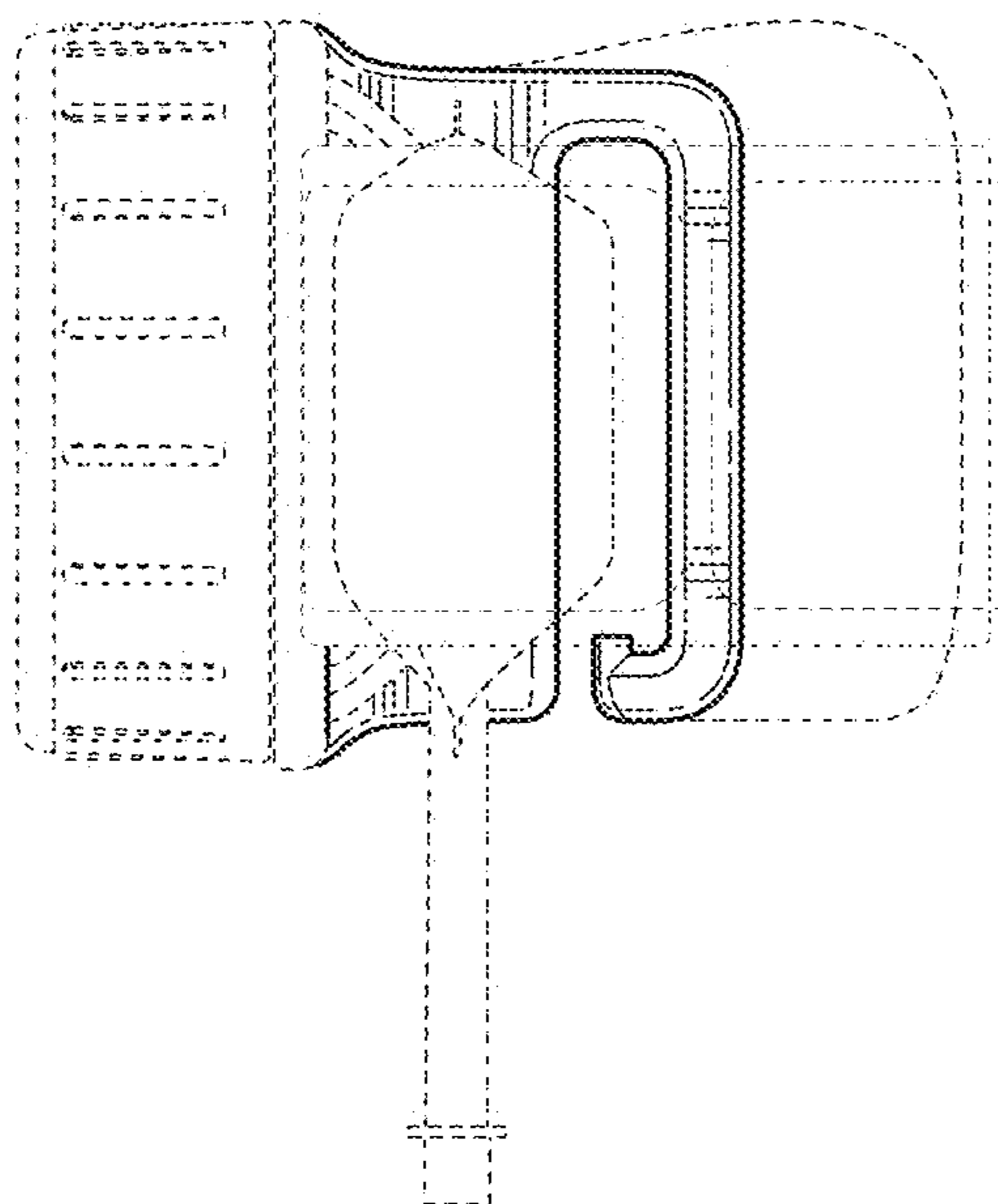


FIG. 7