



US00D733303S

(12) **United States Design Patent**  
**Peterson et al.**

(10) **Patent No.:** **US D733,303 S**  
(45) **Date of Patent:** **\*\* Jun. 30, 2015**

- (54) **INTERVERTEBRAL IMPLANT**
- (71) Applicant: **NuVasive, Inc.**, San Diego, CA (US)
- (72) Inventors: **Mark Peterson**, Central Point, OR (US);  
**Matthew Curran**, Carlsbad, CA (US)
- (73) Assignee: **NuVasive, Inc.**, San Diego, CA (US)
- (\*\*) Term: **14 Years**
- (21) Appl. No.: **29/439,479**
- (22) Filed: **Dec. 11, 2012**

6,402,785	B1	6/2002	Zdeblick	
6,485,517	B1	11/2002	Michelson	
6,537,320	B1	3/2003	Michelson	
6,610,065	B1 *	8/2003	Branch et al.	606/84
6,666,890	B2	12/2003	Michelson	
D493,533	S	7/2004	Blain	
6,758,849	B1	7/2004	Michelson	
D494,274	S *	8/2004	Varga et al.	D24/155
6,890,355	B2	5/2005	Michelson	
6,923,810	B1	8/2005	Michelson	
6,942,697	B2	9/2005	Lang	
6,974,480	B2	12/2005	Messerl	
7,022,137	B2	4/2006	Michelson	
7,063,725	B2	6/2006	Foley	
D530,423	S	10/2006	Miles	
7,125,425	B2	10/2006	Foley	
7,156,875	B2	1/2007	Michelson	
7,288,093	B2	10/2007	Michelson	

**Related U.S. Application Data**

- (63) Continuation of application No. 12/907,568, filed on Oct. 19, 2010, now abandoned, which is a continuation of application No. 11/525,674, filed on Sep. 22, 2006, now Pat. No. 7,815,682.
- (51) **LOC (10) Cl.** ..... **24-02**
- (52) **U.S. Cl.**  
USPC ..... **D24/155**
- (58) **Field of Classification Search**  
USPC ..... D24/155, 133, 135; 623/17.15, 17.16,  
623/17.12; 604/500; 606/61  
See application file for complete search history.

**References Cited**

**U.S. PATENT DOCUMENTS**

4,834,757	A	5/1989	Brantigan
4,878,915	A	11/1989	Brantigan
5,425,772	A	6/1995	Brantigan
5,443,514	A	8/1995	Steffee
5,653,762	A	8/1997	Pisharodi
5,782,919	A	7/1998	Zdeblick
5,814,084	A	9/1998	Grivas
5,861,041	A	1/1999	Tienboon
5,888,227	A	3/1999	Cottle
6,033,438	A	3/2000	Bianchi
6,241,770	B1	6/2001	Michelson
6,264,656	B1	7/2001	Michelson

(Continued)

**FOREIGN PATENT DOCUMENTS**

WO	WO-0180784	A1	11/2001
WO	WO-2005072659	A2	8/2005

*Primary Examiner* — Ian Simmons  
*Assistant Examiner* — Charles Hanson  
 (74) *Attorney, Agent, or Firm* — Jonathan Spangler; Heather Prado

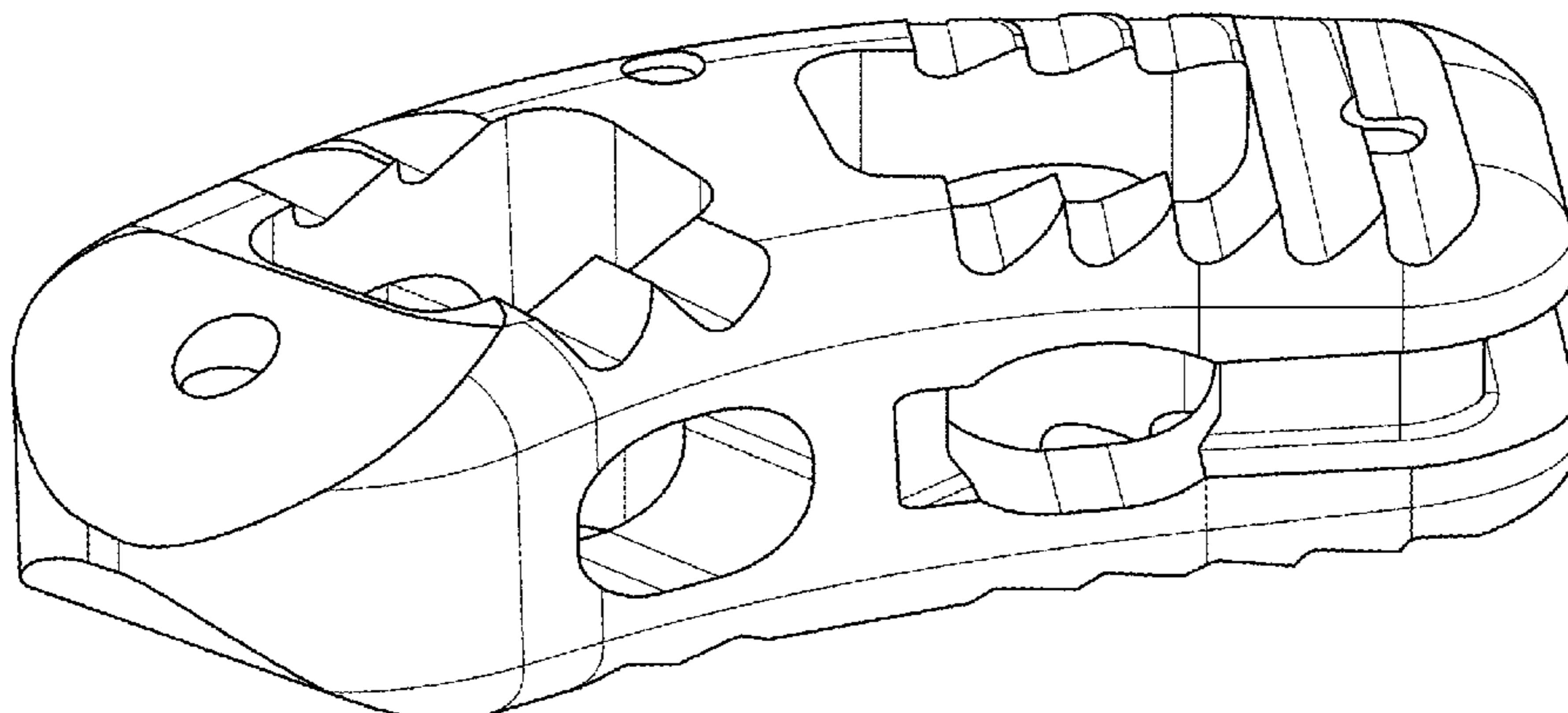
**CLAIM**

(57) The ornamental design for an intervertebral implant, substantially as shown and described.

**DESCRIPTION**

FIG. 1 is a perspective view of an intervertebral implant showing our new design;  
 FIG. 2 is a first side view thereof;  
 FIG. 3 is a second side view thereof;  
 FIG. 4 is a top view thereof;  
 FIG. 5 is a bottom view thereof; and,  
 FIG. 6 is an end view thereof.

**1 Claim, 3 Drawing Sheets**



(56)

**References Cited**

U.S. PATENT DOCUMENTS

7,396,365 B2 7/2008 Michelson  
 7,455,692 B2 11/2008 Michelson  
 7,462,195 B1 12/2008 Michelson  
 D585,553 S \* 1/2009 Valois ..... D24/155  
 D594,986 S 6/2009 Miles  
 7,540,882 B2 6/2009 Michelson  
 D597,209 S \* 7/2009 Boulot ..... D24/155  
 D599,019 S 8/2009 Pimenta  
 D621,509 S 8/2010 Lovell  
 7,828,849 B2 \* 11/2010 Lim ..... 623/17.16  
 8,021,430 B2 9/2011 Michelson  
 D671,645 S 11/2012 Curran  
 D674,092 S 1/2013 Lovell  
 D675,320 S 1/2013 Oi  
 8,444,696 B2 5/2013 Michelson  
 D696,402 S 12/2013 Oi  
 D708,747 S 7/2014 Curran

D711,537 S 8/2014 Pimenta  
 D721,808 S 1/2015 Oi  
 2001/0020186 A1 9/2001 Boyce  
 2002/0082683 A1 6/2002 Stinson  
 2003/0060886 A1 3/2003 Van Hoeck et al.  
 2003/0139813 A1 7/2003 Messerli  
 2004/0064185 A1 4/2004 Michelson  
 2004/0097929 A1 \* 5/2004 Branch et al. .... 606/61  
 2005/0027360 A1 \* 2/2005 Webb et al. .... 623/17.11  
 2005/0096745 A1 5/2005 Andre  
 2005/0125062 A1 \* 6/2005 Biedermann et al. .... 623/17.11  
 2005/0143822 A1 6/2005 Paul  
 2005/0216082 A1 9/2005 Wilson  
 2006/0085072 A1 4/2006 Funk  
 2006/0106460 A1 5/2006 Messerli  
 2007/0032872 A1 2/2007 Simonton  
 2009/0062917 A1 3/2009 Foley  
 2009/0105821 A1 4/2009 Michelson  
 2009/0187246 A1 7/2009 Foley

\* cited by examiner

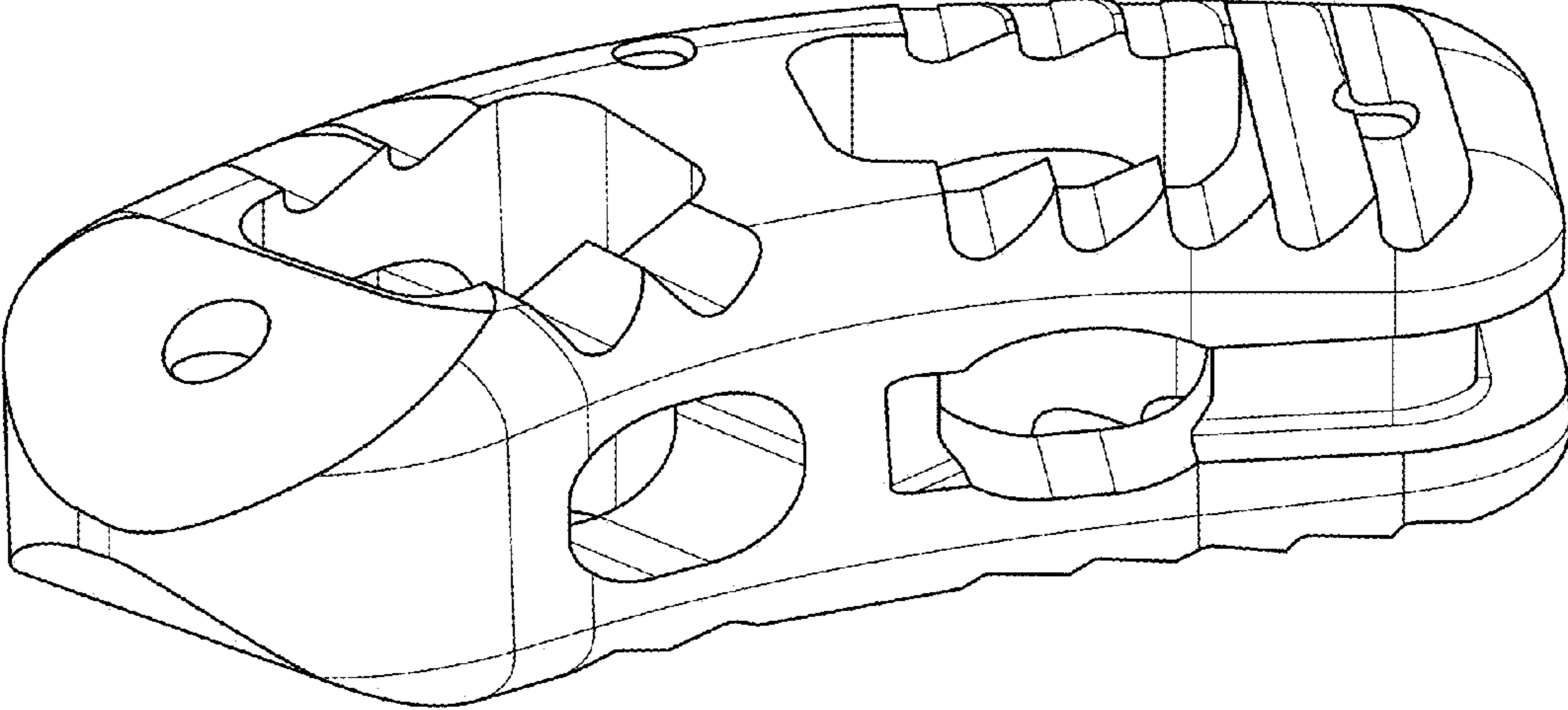


FIG. 1

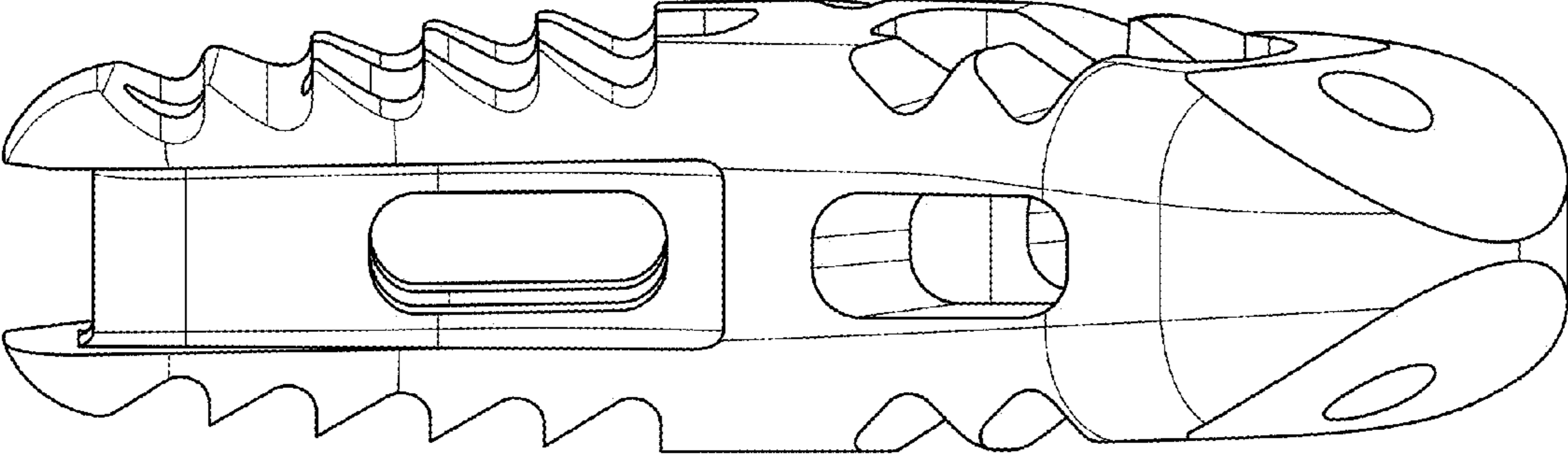


FIG. 2

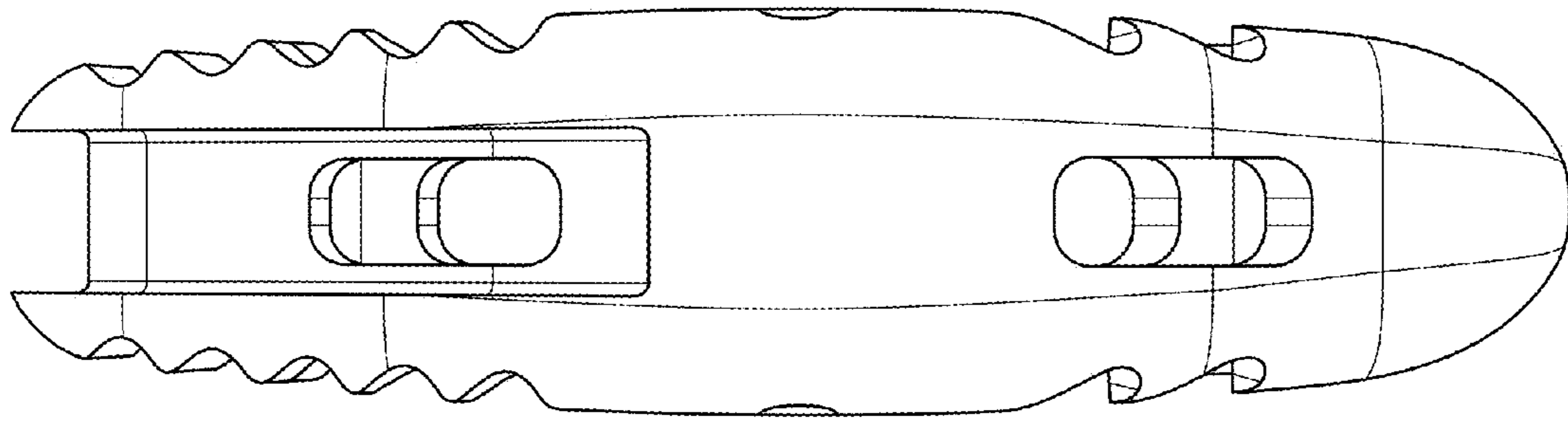


FIG. 3

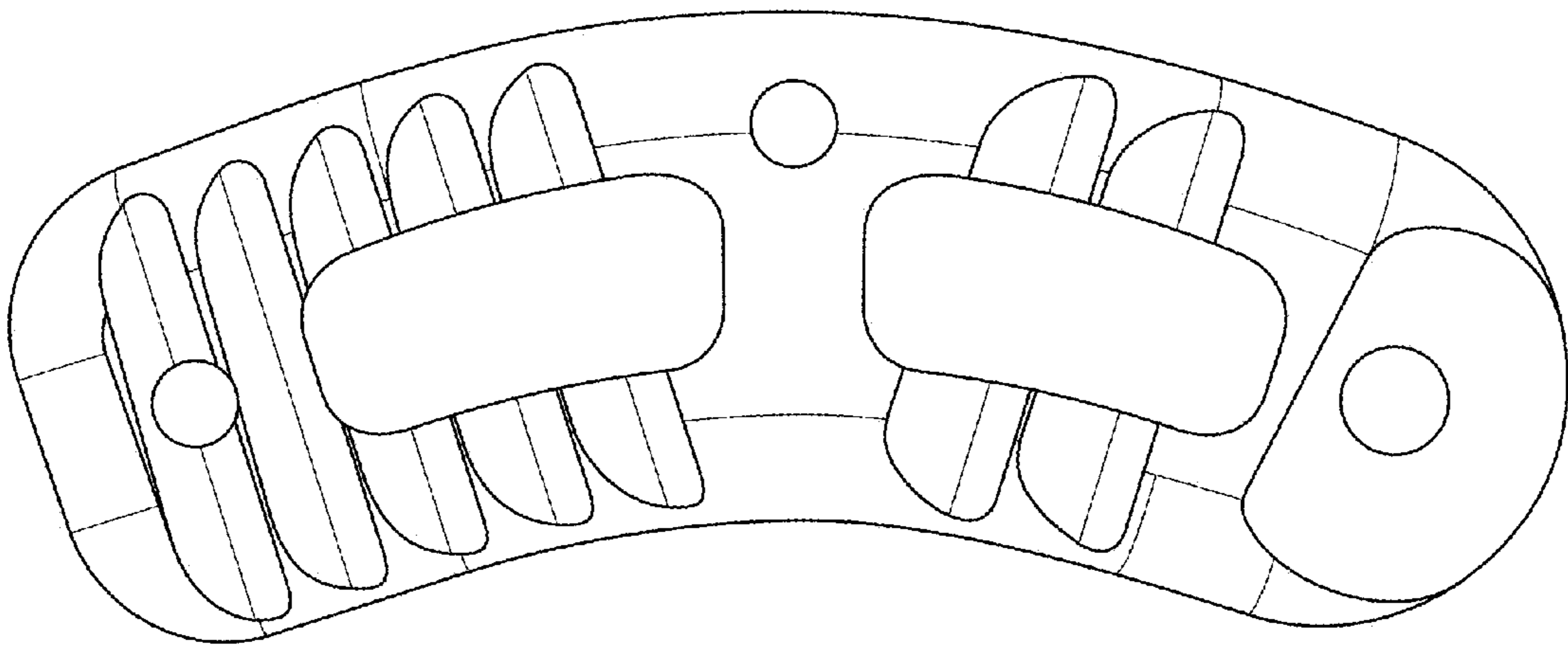


FIG. 4



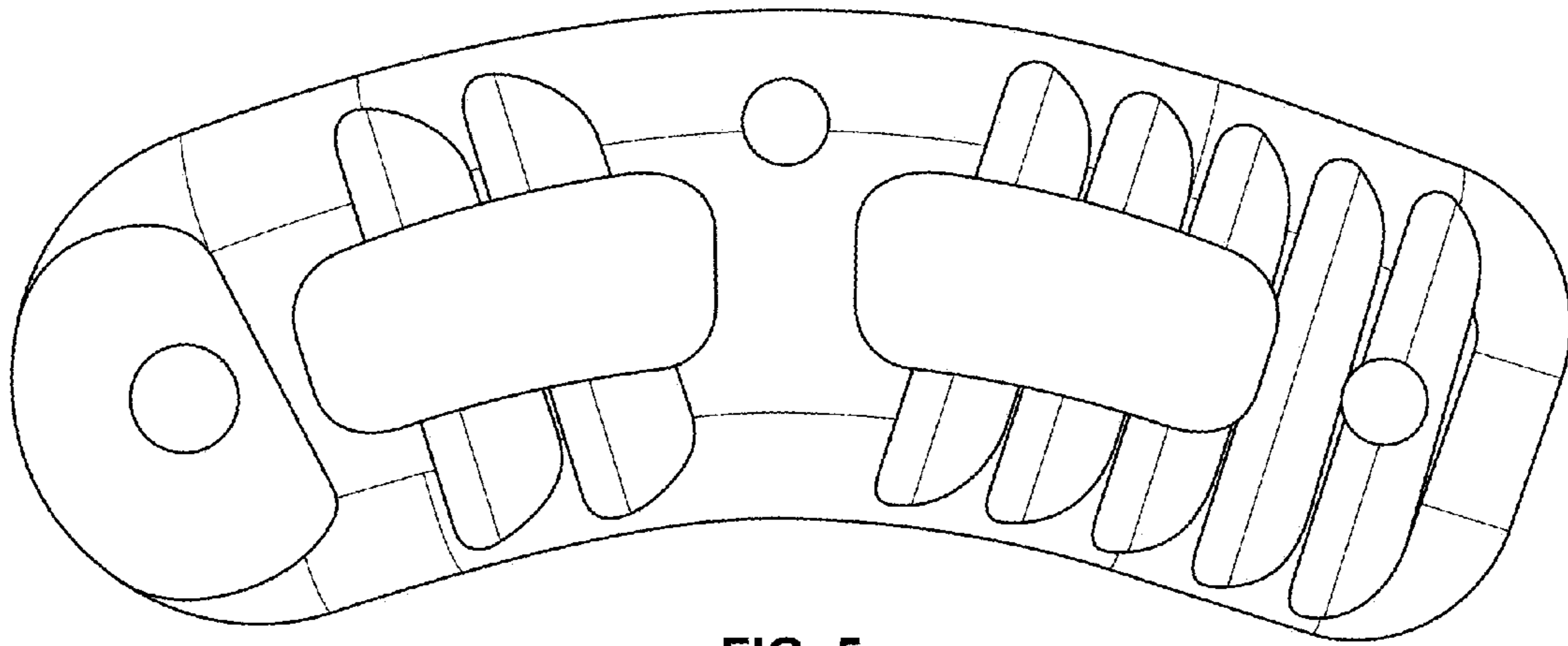


FIG. 5

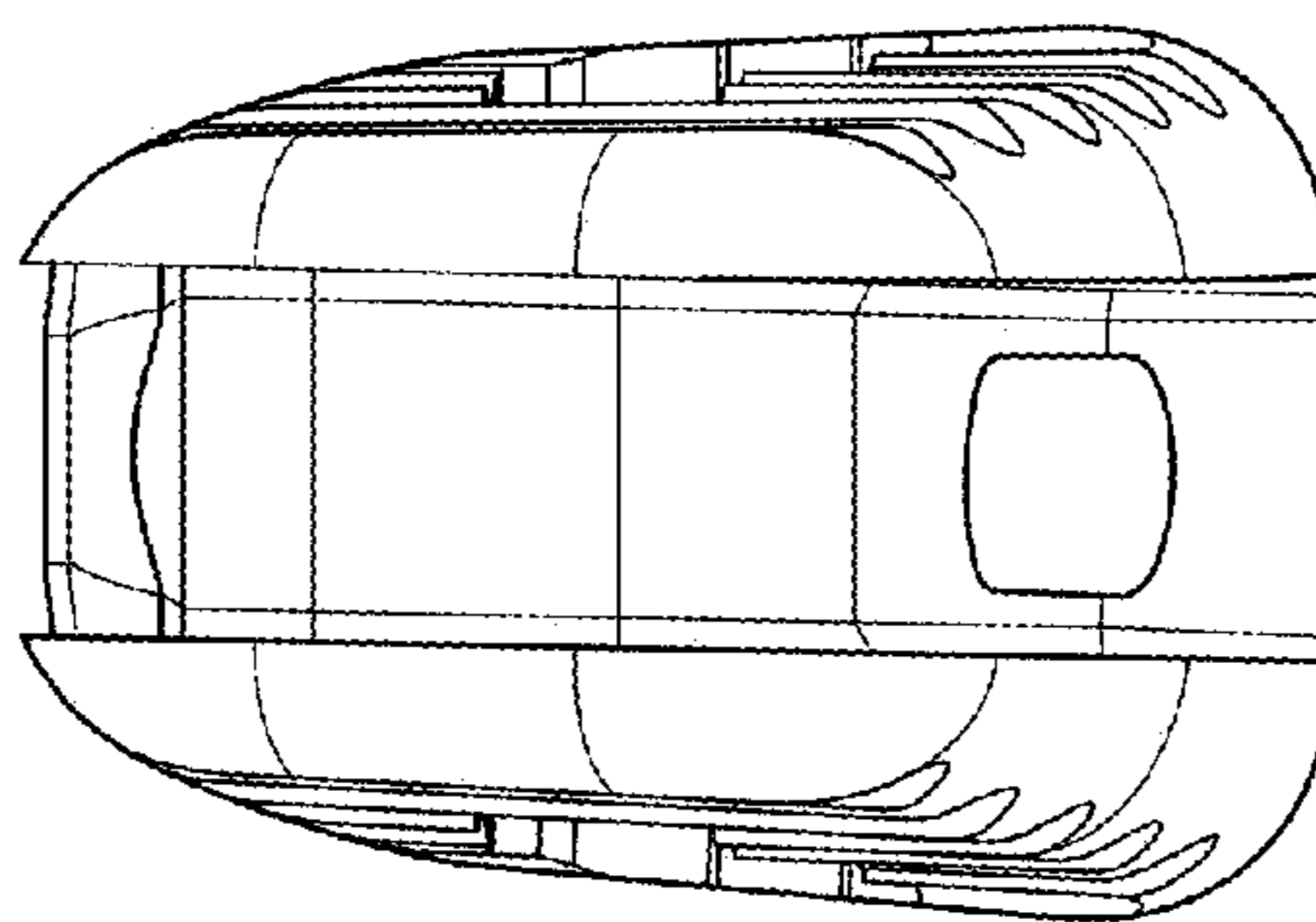


FIG. 6