



US00D733301S

(12) **United States Design Patent**  
**Mueller**

(10) **Patent No.:** **US D733,301 S**

(45) **Date of Patent:** **\*\* Jun. 30, 2015**

(54) **HANDLE FOR SURGICAL TROCAR**

(71) Applicant: **KARL STORZ GmbH & Co. KG**,  
Tuttlingen (DE)

(72) Inventor: **Annika Mueller**, Geislingen (DE)

(73) Assignee: **KARL STORZ GmbH & Co. KG**,  
Tuttlingen (DE)

(\*\*) Term: **14 Years**

(21) Appl. No.: **29/508,918**

(22) Filed: **Nov. 12, 2014**

(30) **Foreign Application Priority Data**

May 12, 2014 (EM) ..... 002461954-0001  
May 12, 2014 (EM) ..... 002461954-0002

(51) **LOC (10) Cl.** ..... **24-02**

(52) **U.S. Cl.**  
USPC ..... **D24/147**

(58) **Field of Classification Search**  
USPC ..... D7/649; D8/93, 97, 300, 310, 311, 313;  
D19/110, 115; D24/127, 130, 133,  
D24/146, 147, 148  
CPC ..... B26B 3/00; B26B 1/10; B26B 5/005;  
A61B 17/809; A61B 17/1617; A61B 17/3211;  
A61B 5/1411; A61B 17/3417  
See application file for complete search history.

(56) **References Cited**

**U.S. PATENT DOCUMENTS**

D77,604 S \* 1/1929 La Pierre ..... D8/310  
D185,635 S \* 7/1959 Gerlach ..... D8/310  
5,261,891 A 11/1993 Brinkerhoff et al.  
5,346,459 A 9/1994 Allen  
D358,209 S 5/1995 Petruschke et al.  
D362,066 S \* 9/1995 Petruschke et al. .... D24/146  
5,554,154 A \* 9/1996 Rosenberg ..... 606/80

(Continued)

*Primary Examiner* — Robert M Spear

*Assistant Examiner* — Marissa J Cash

(74) *Attorney, Agent, or Firm* — Muncy, Geissler, Olds &  
Lowe, P.C.

(57) **CLAIM**

The ornamental design for a handle for surgical trocar, as shown and described.

**DESCRIPTION**

FIG. 1 is a bottom right perspective view of a handle of a surgical trocar according to the present invention.

FIG. 2 is a top view of the handle for surgical trocar of FIG. 1.

FIG. 3 is a bottom view of the handle for surgical trocar of FIG. 1.

FIG. 4 is a right side view of the handle for surgical trocar of FIG. 1.

FIG. 5 is a left side view of the handle for surgical trocar of FIG. 1.

FIG. 6 is a rear view of the handle for surgical trocar of FIG. 1.

FIG. 7 is a front view of the handle for surgical trocar of FIG. 1.

FIG. 8 is a bottom right perspective view of the handle for surgical trocar shown in an environment of use.

FIG. 9 is a top view of the handle for surgical trocar of FIG. 8.

FIG. 10 is a bottom view of the handle for surgical trocar of FIG. 8.

FIG. 11 is a right side view of the handle for surgical trocar of FIG. 8.

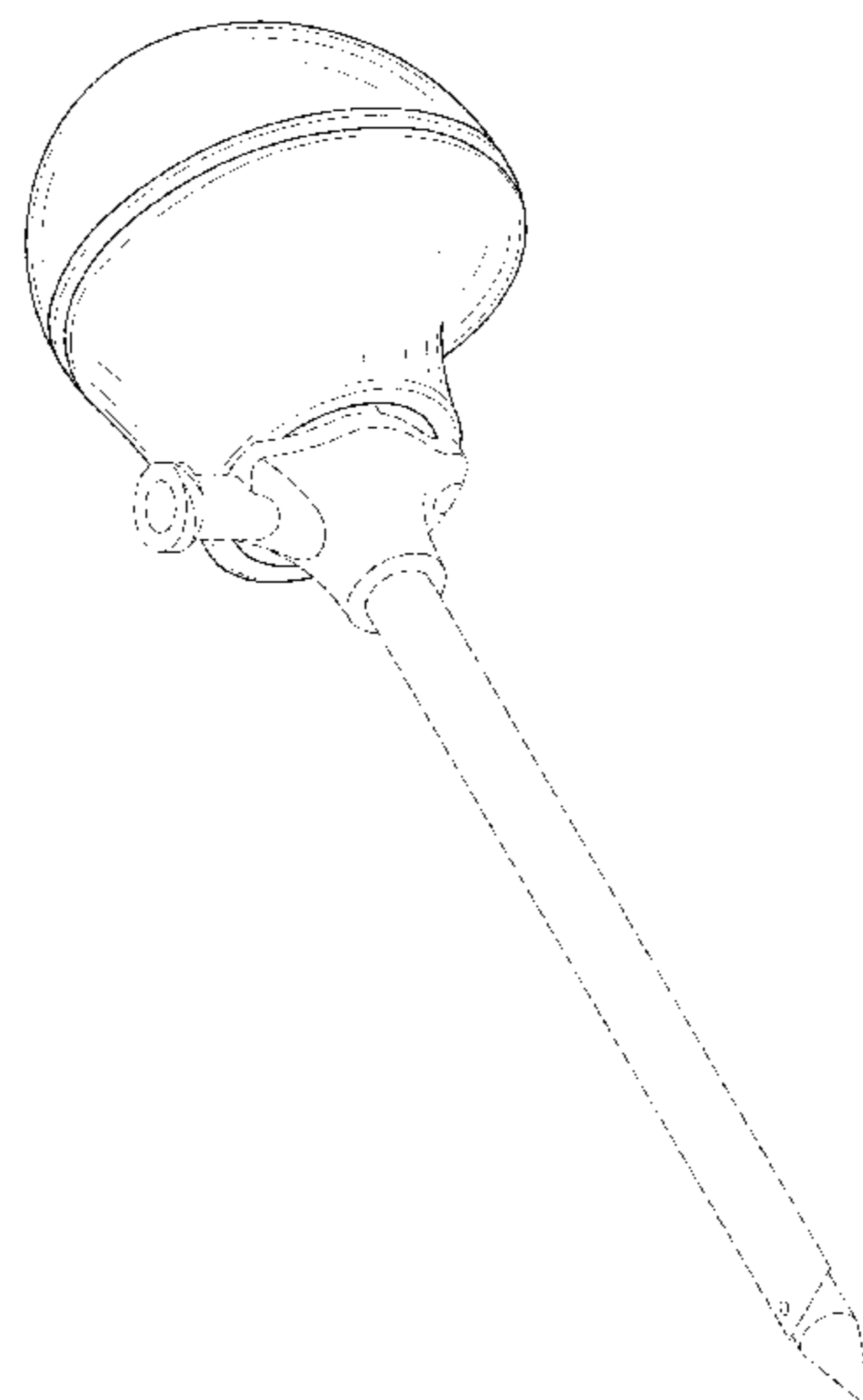
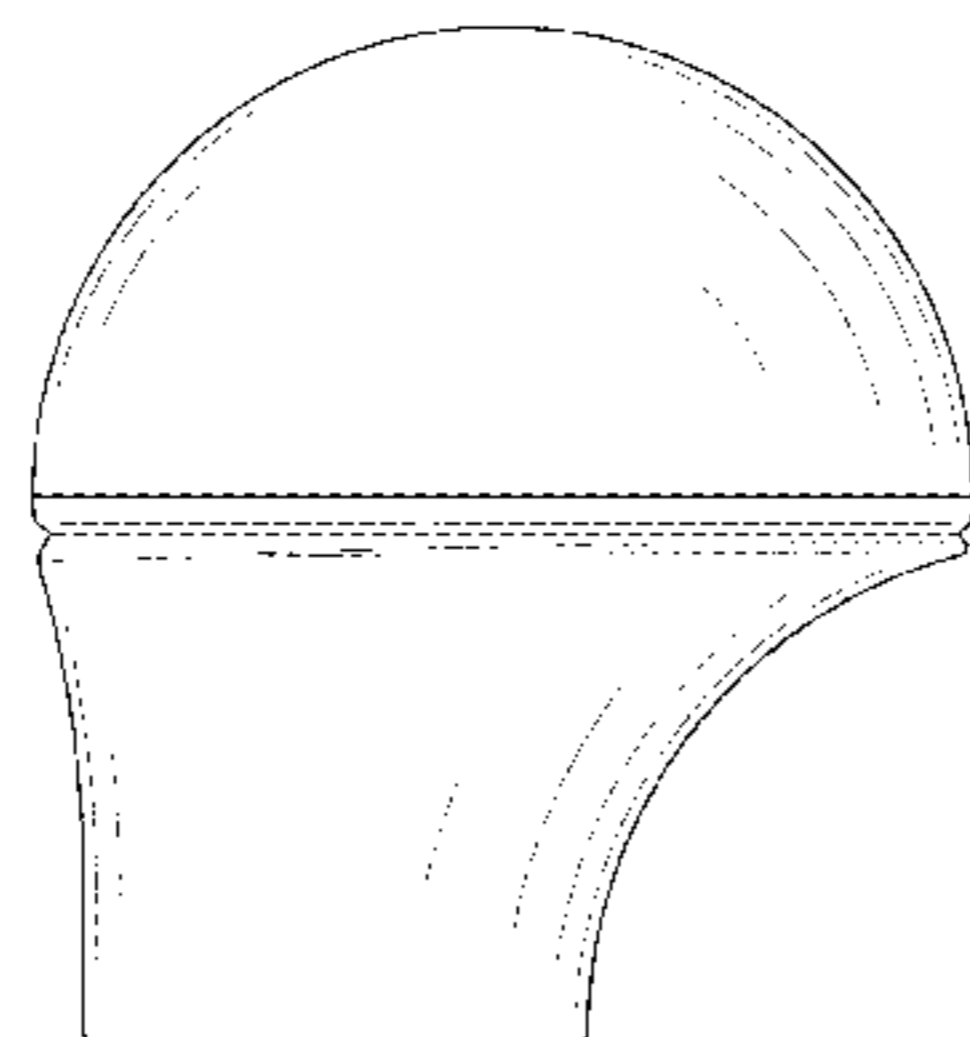
FIG. 12 is a left side view of the handle for surgical trocar of FIG. 8.

FIG. 13 is a rear view of the handle for surgical trocar of FIG. 8; and,

FIG. 14 is a front view of the handle for surgical trocar of FIG. 8.

The dashed lines illustrate environment that does not form a part of the present invention, and no claim is made to the material illustrated with dashed lines.

**1 Claim, 13 Drawing Sheets**



(56)

**References Cited**

U.S. PATENT DOCUMENTS

D422,481 S *	4/2000	Bertani	.....	D8/310	D542,115 S *	5/2007	Hanna et al.	.....	D8/310
D459,646 S *	7/2002	Bertani	.....	D8/310	D552,733 S *	10/2007	Criscuolo et al.	.....	D24/146
D490,895 S *	6/2004	Bogazzi	.....	D24/133	D589,616 S *	3/2009	Carter	.....	D24/146
D490,896 S *	6/2004	Bogazzi	.....	D24/133	D600,997 S *	9/2009	McConnell	.....	D8/310
D495,053 S	8/2004	Laun			D614,297 S *	4/2010	Criscuolo et al.	.....	D24/133
D496,729 S *	9/2004	Pajunk et al.	.....	D24/146	D652,137 S *	1/2012	Nino et al.	.....	D24/133
D497,668 S *	10/2004	Bogazzi	.....	D24/133	D726,524 S *	4/2015	Borjesson	.....	D8/311
D533,275 S *	12/2006	Laun	.....	D24/146	2004/0260244 A1 *	12/2004	Piechowicz et al.	.....	604/167.06
					2006/0030870 A1 *	2/2006	Staudner	.....	606/167
					2006/0264992 A1 *	11/2006	Franer et al.	.....	606/167

\* cited by examiner

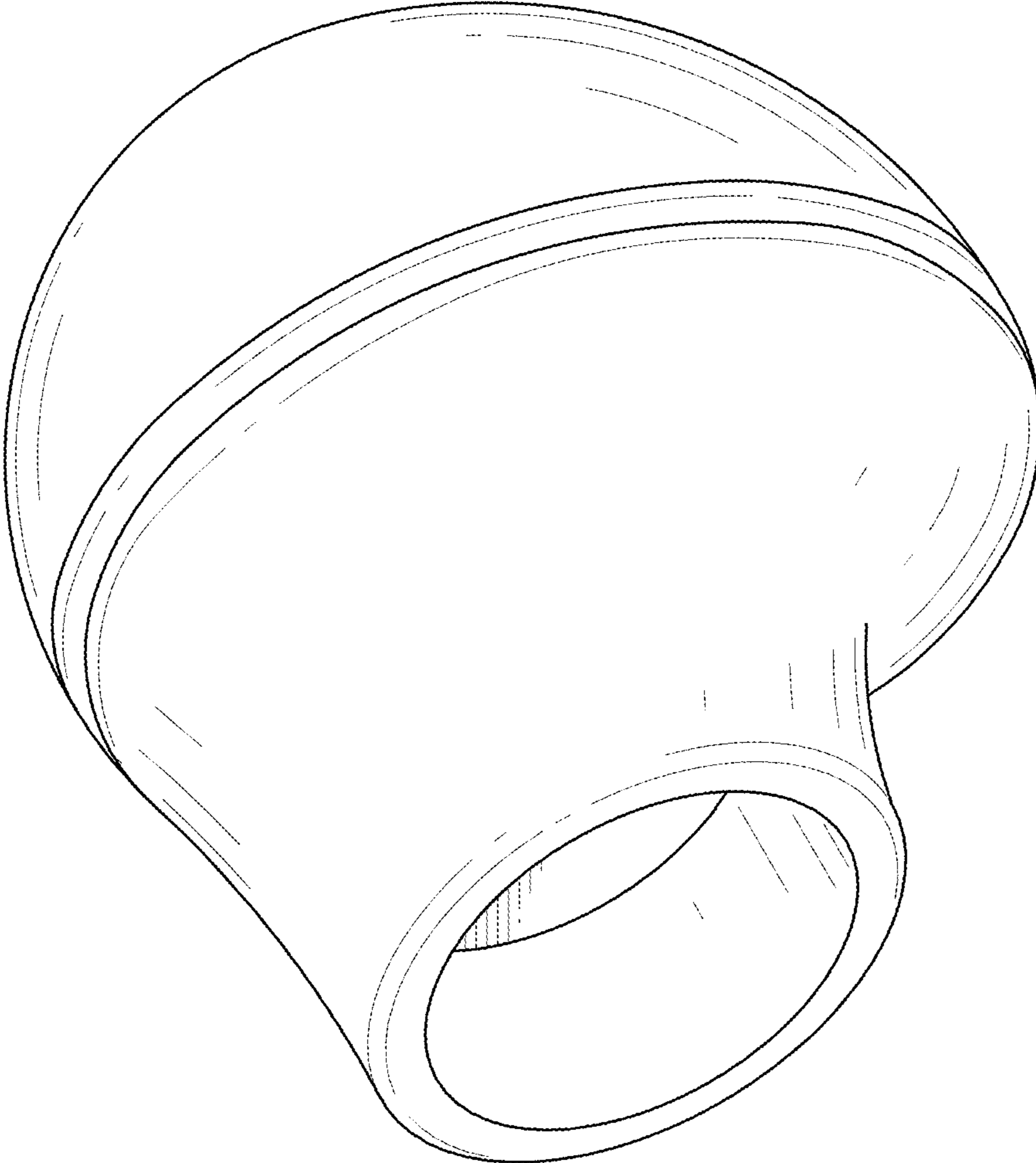


FIG. 1

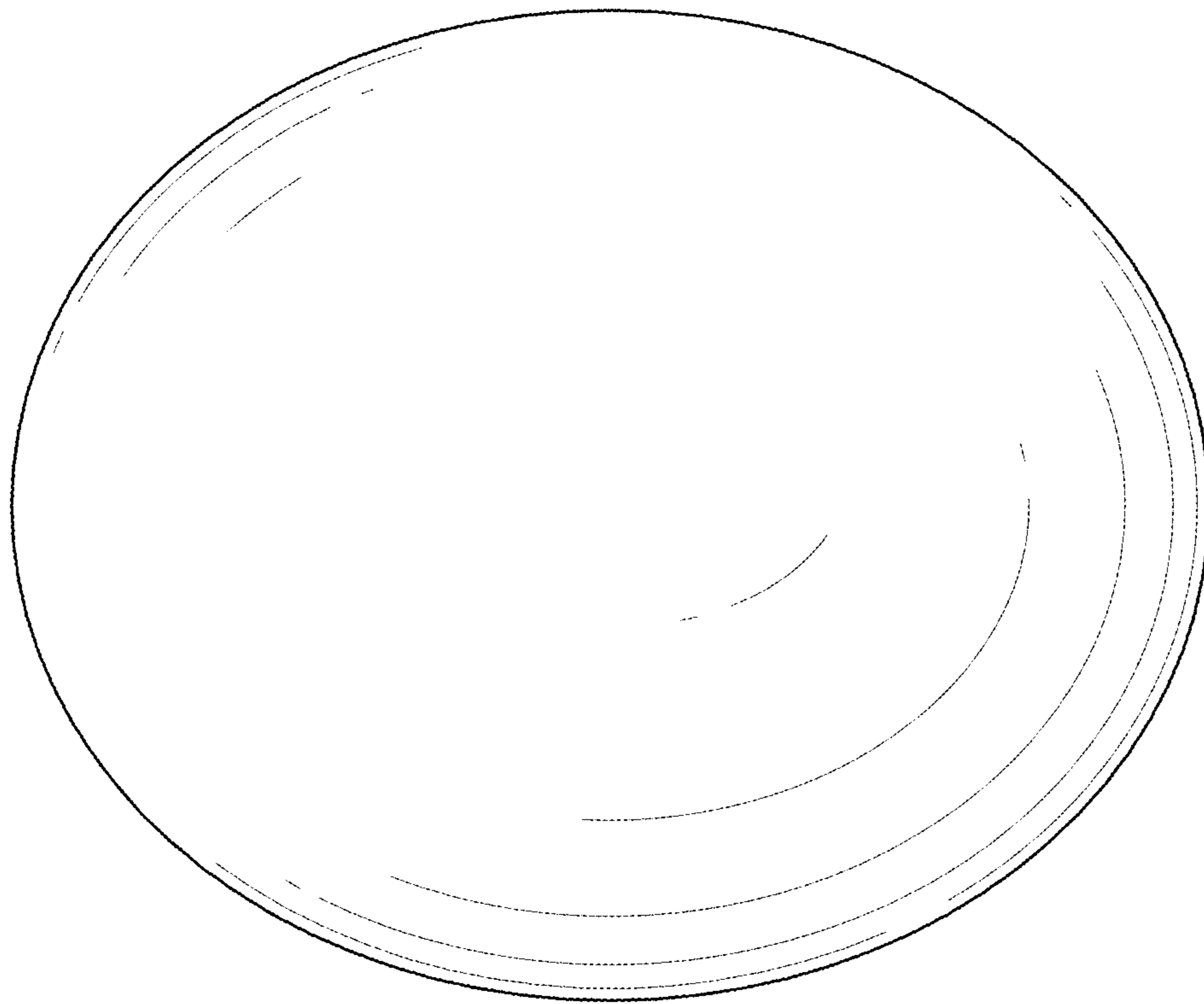


FIG.2

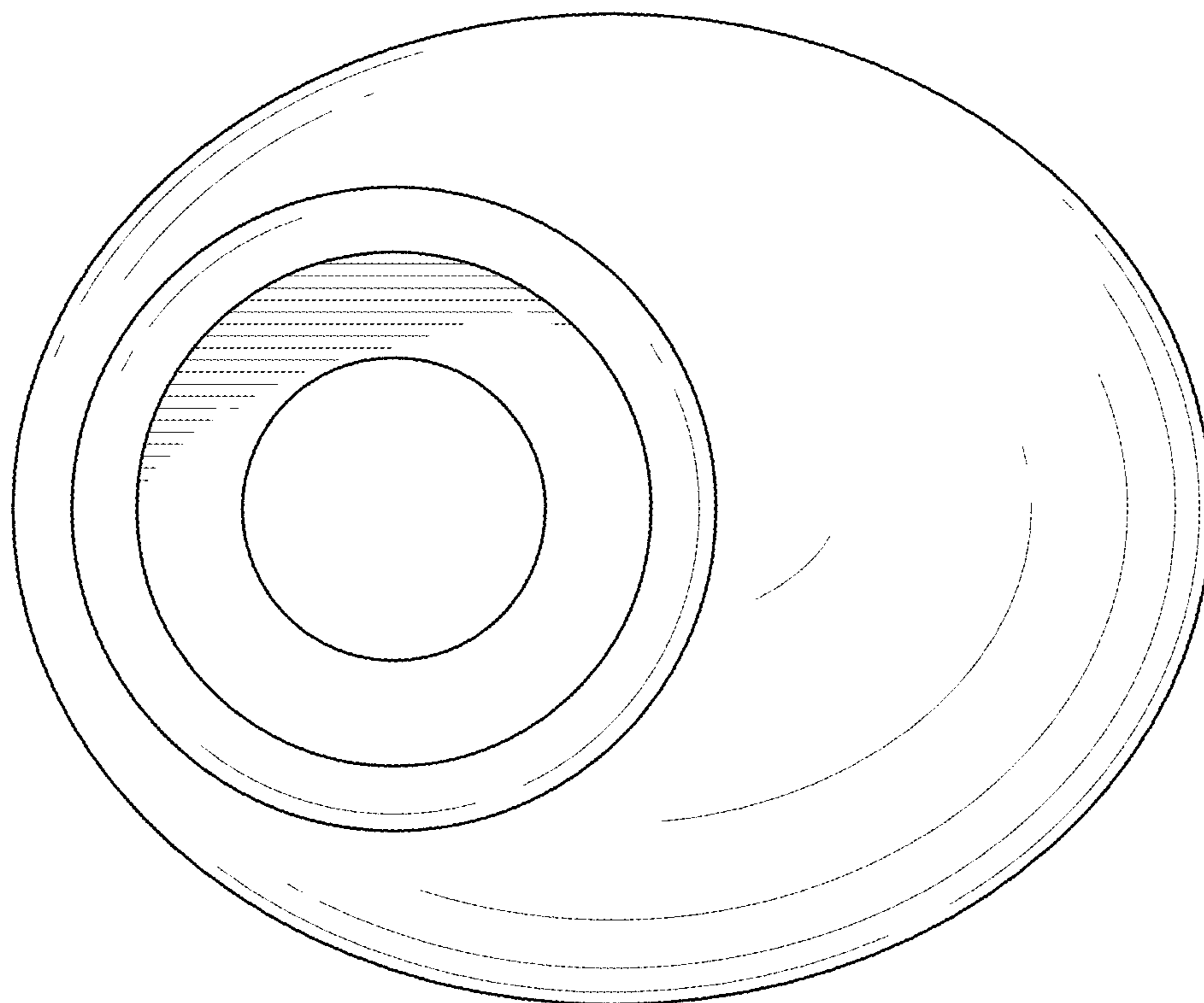


FIG.3

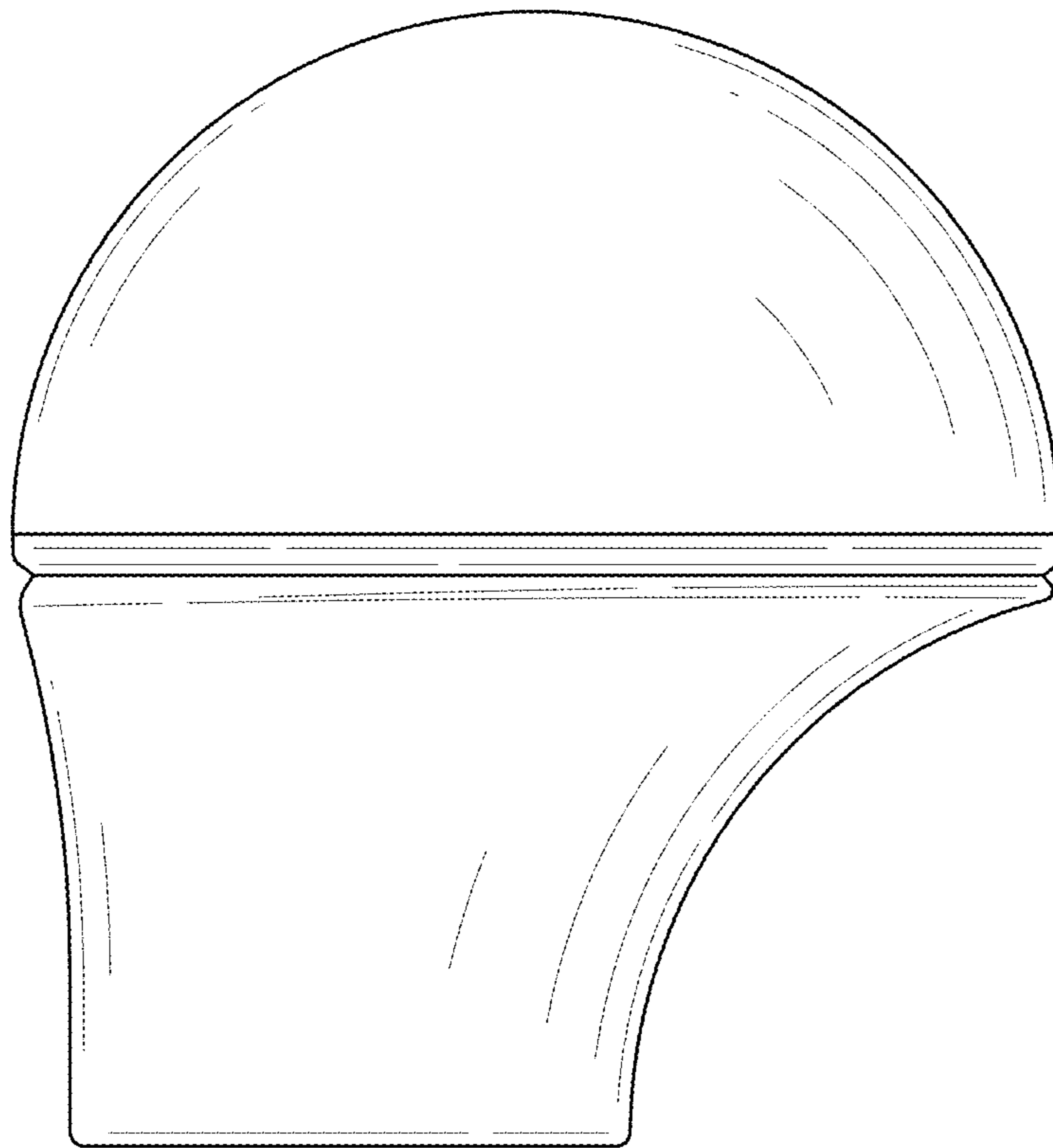


FIG.4

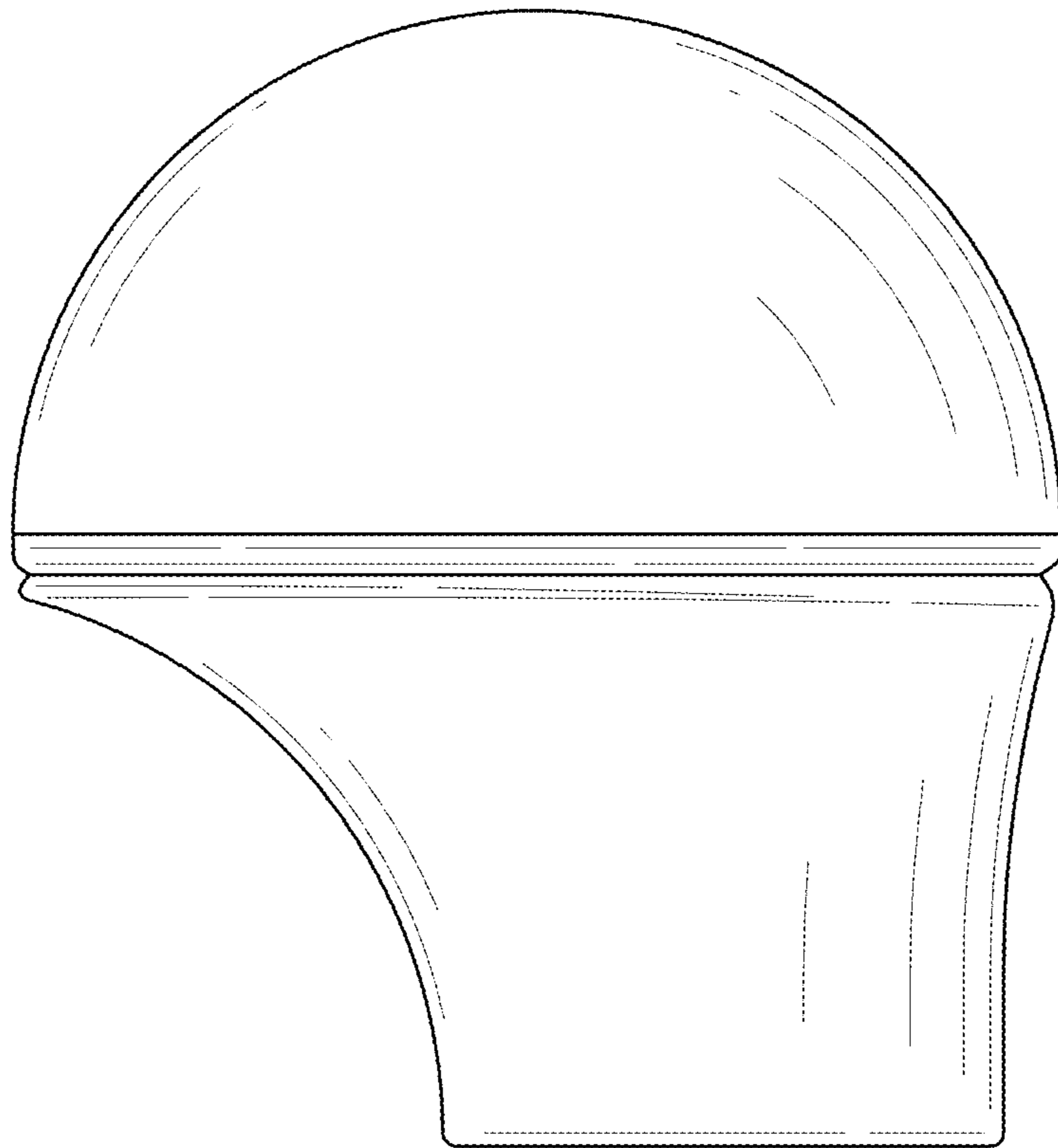


FIG.5

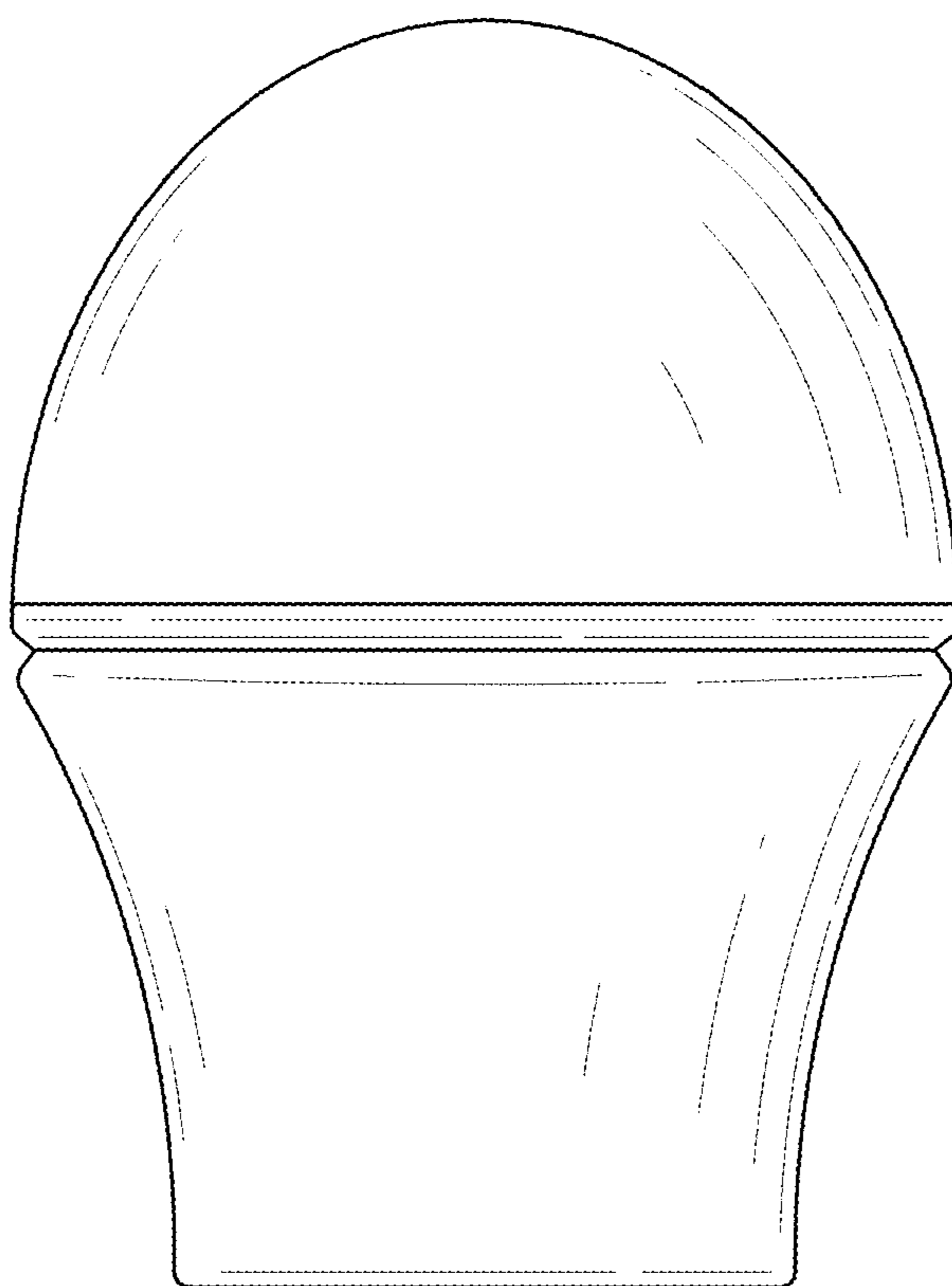


FIG.6



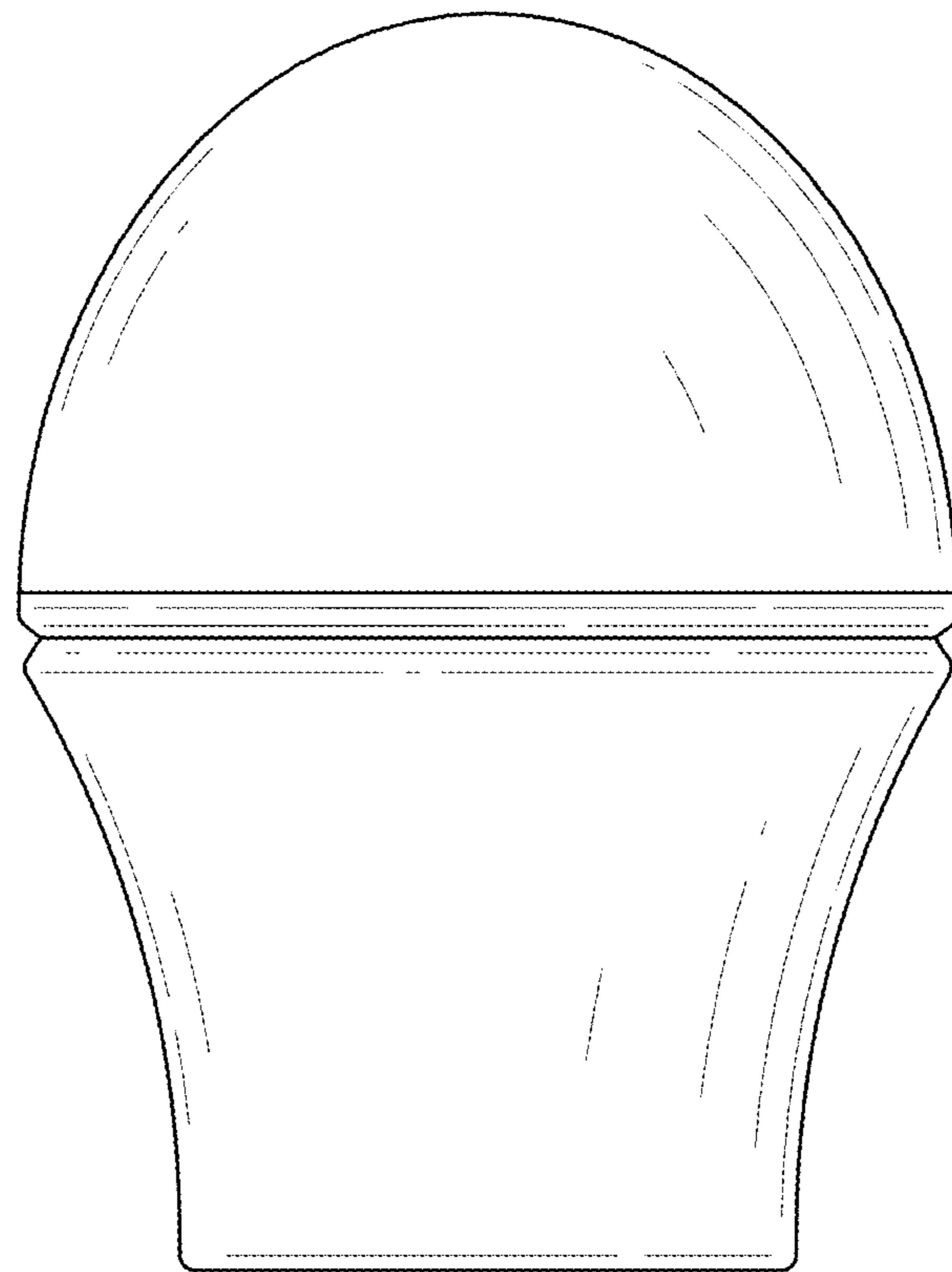


FIG.7

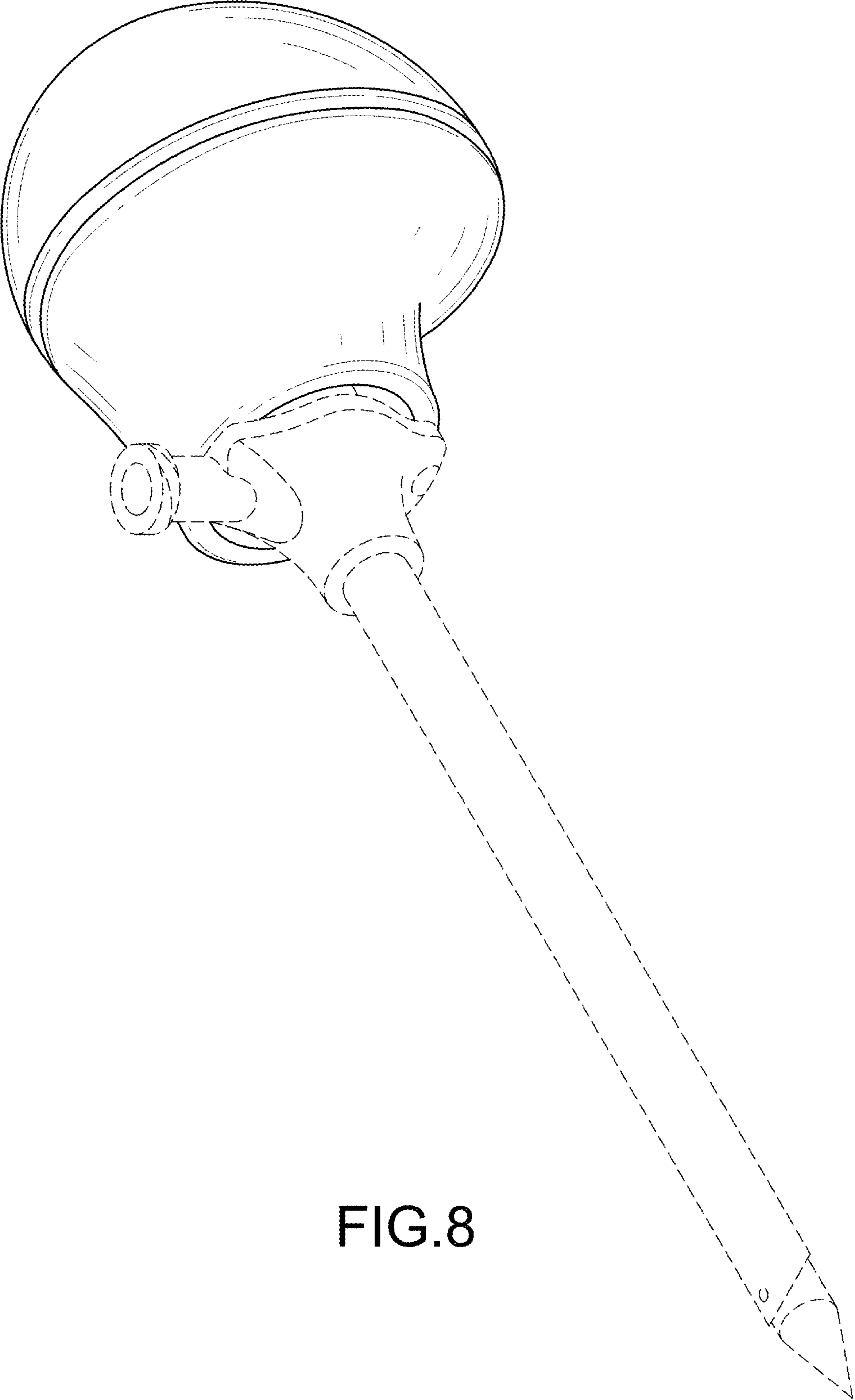


FIG.8

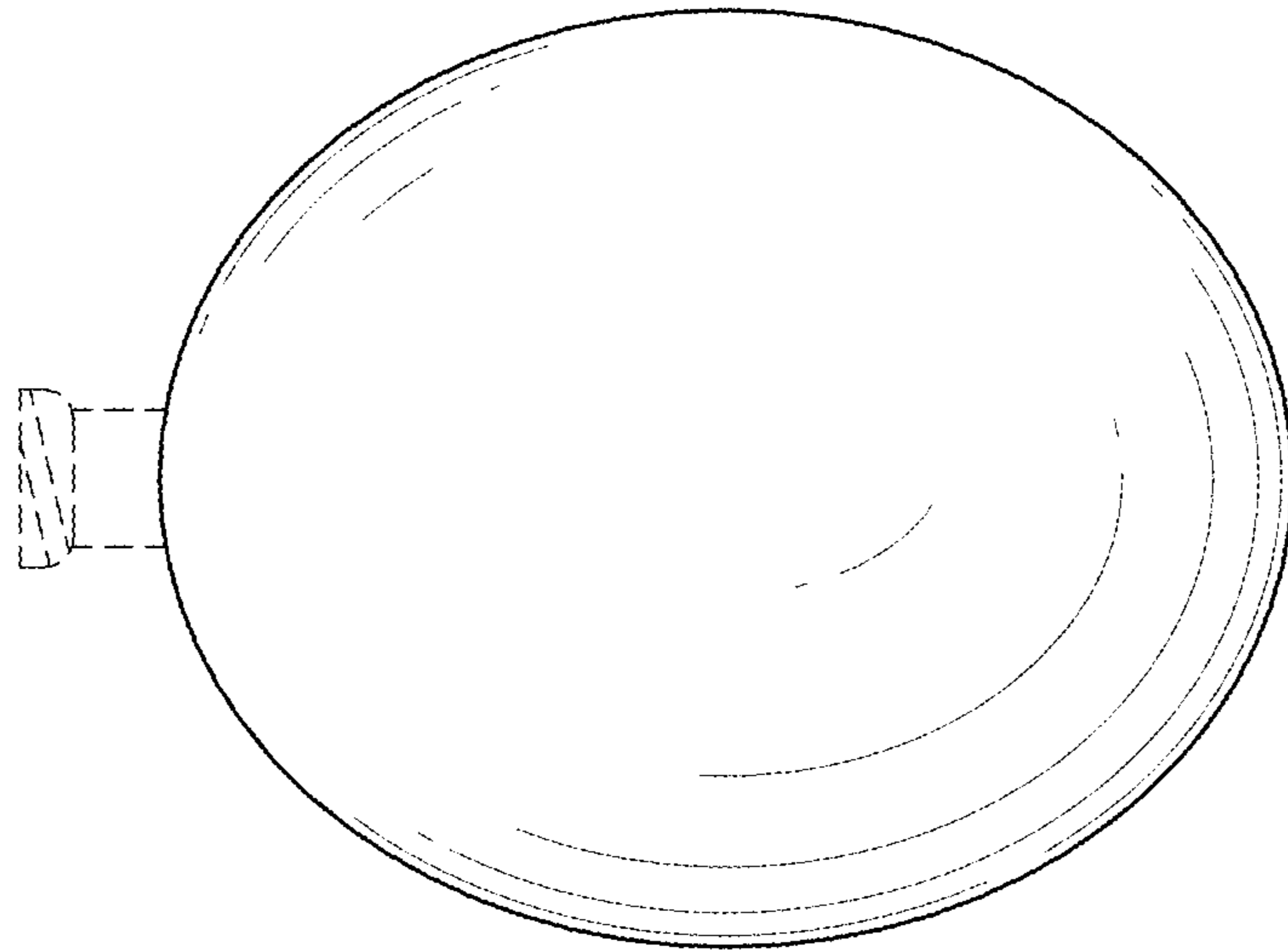


FIG. 9

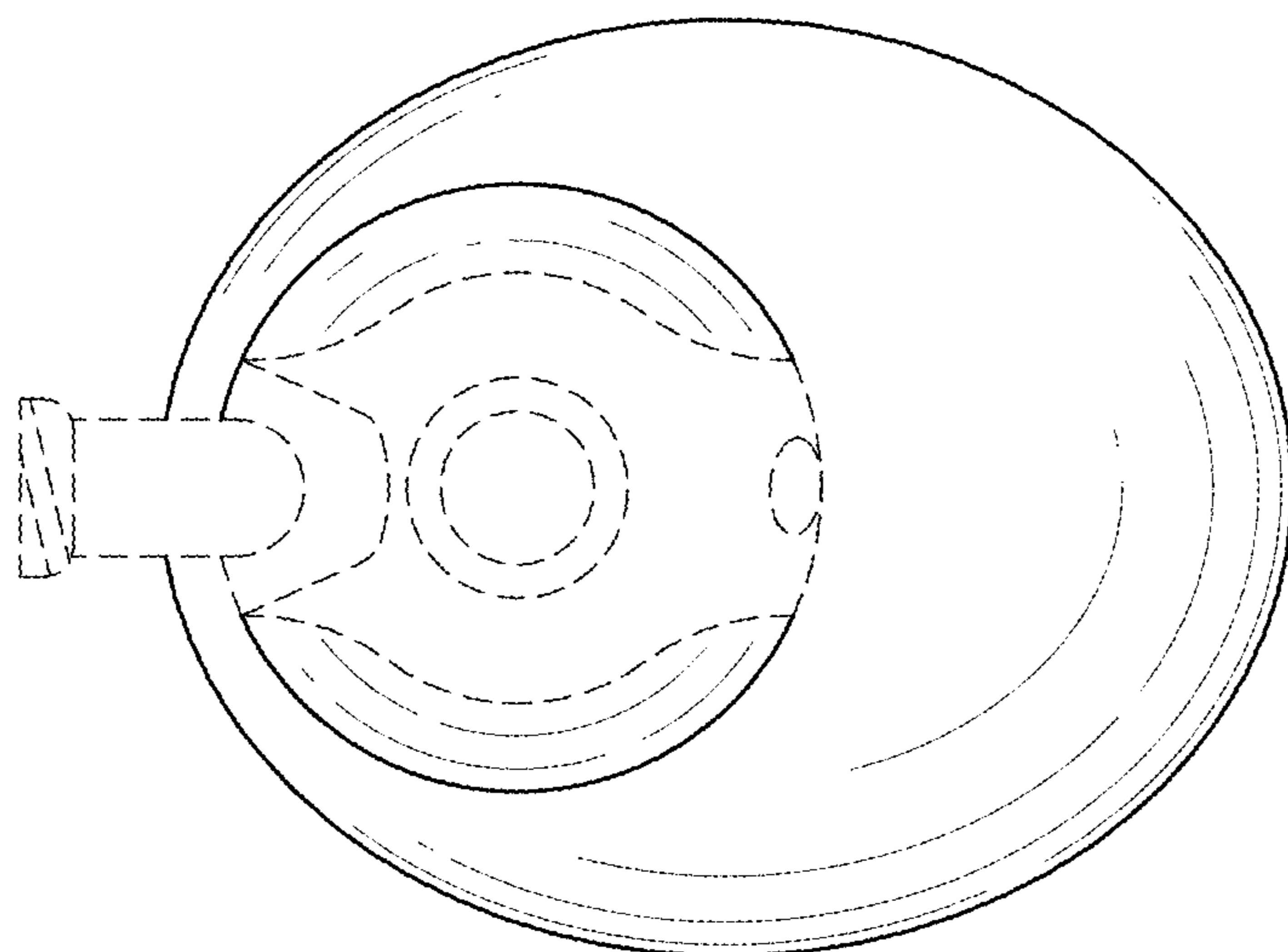


FIG. 10

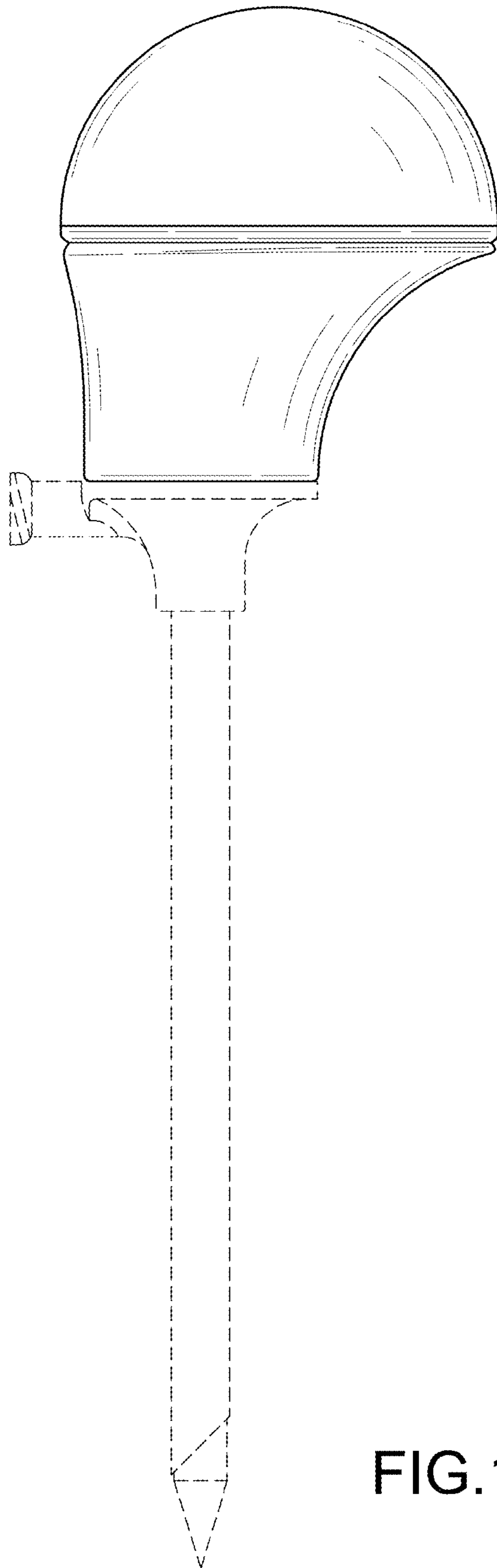


FIG.11

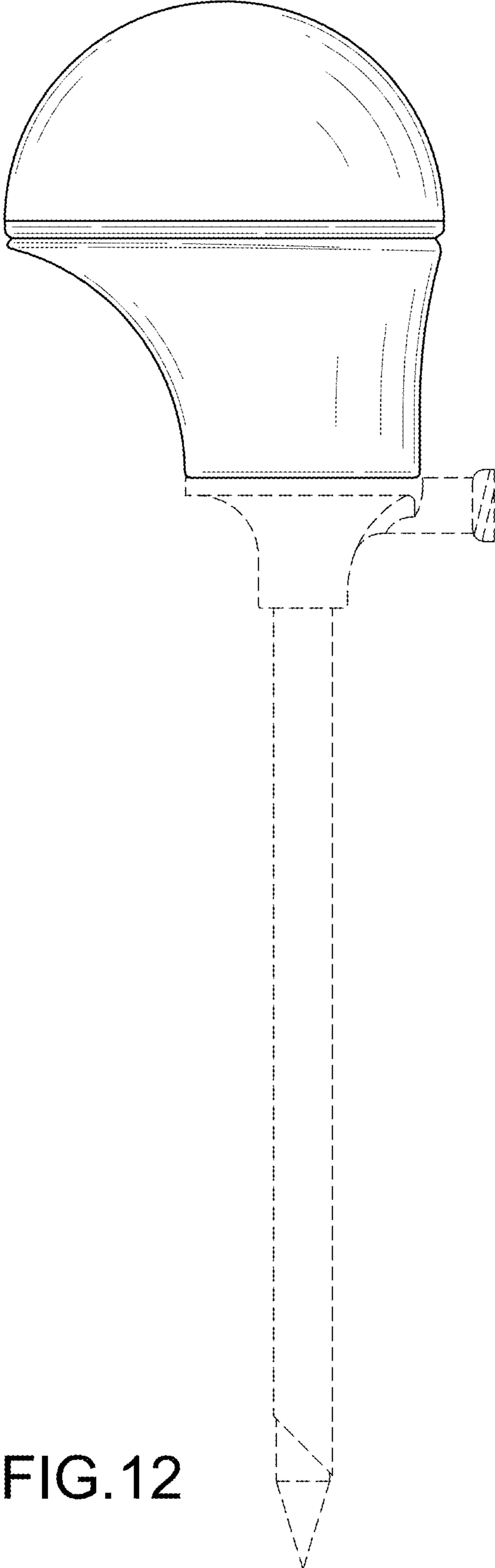


FIG.12

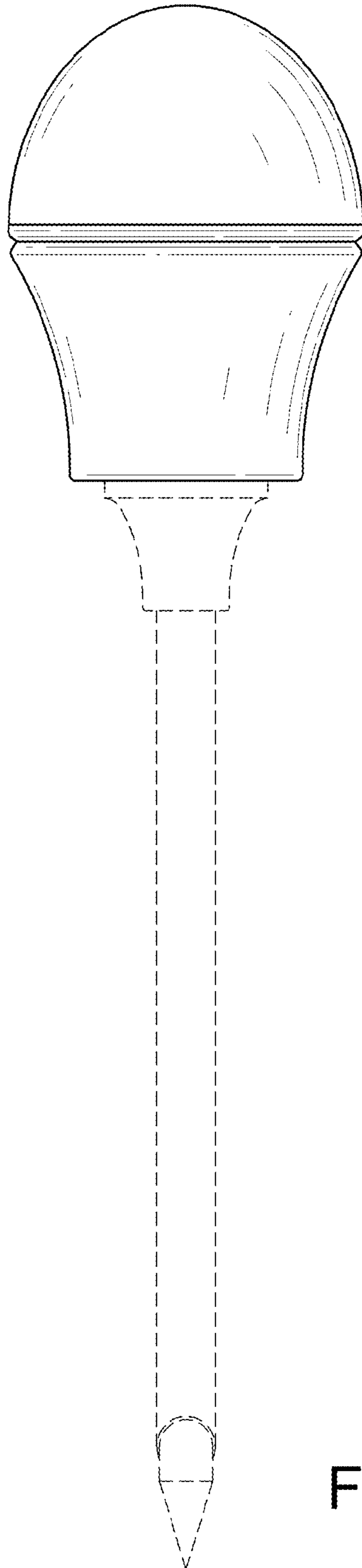


FIG. 13

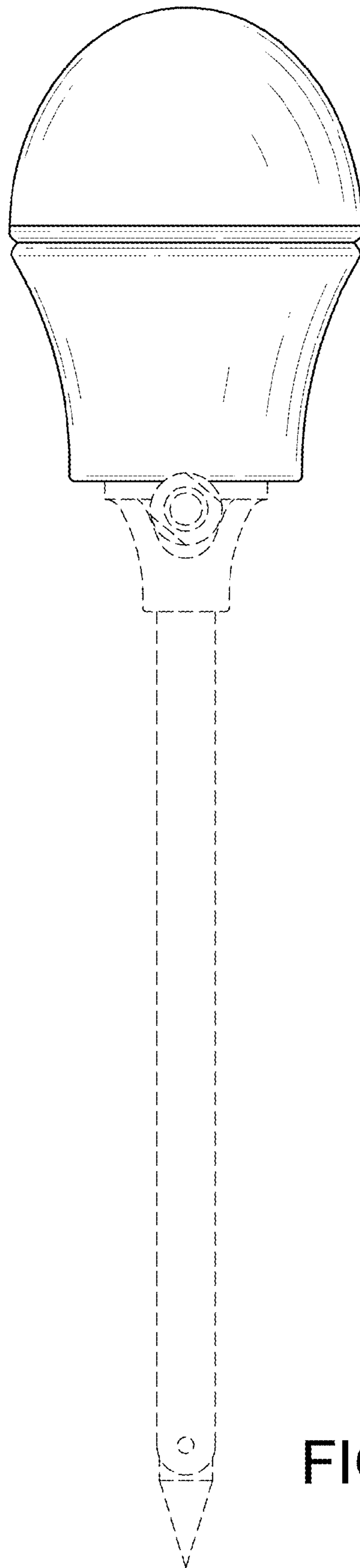


FIG.14