



US00D733299S

(12) **United States Design Patent**
Ohmukai

(10) **Patent No.:** **US D733,299 S**
(45) **Date of Patent:** **** Jun. 30, 2015**

(54) **PUNCTURE ADAPTER FOR ULTRASONIC PROBE**

(71) Applicants: **Kabushiki Kaisha Toshiba**, Minato-ku, Tokyo (JP); **Toshiba Medical Systems Corporation**, Otawara-shi, Tochigi-ken (JP)

(72) Inventor: **Shinya Ohmukai**, Tokyo (JP)

(73) Assignees: **Kabushiki Kaisha Toshiba**, Tokyo (JP); **Toshiba Medical Systems Corporation**, Tochigi-ken (JP)

(**) Term: **14 Years**

(21) Appl. No.: **29/455,297**

(22) Filed: **May 20, 2013**

(30) **Foreign Application Priority Data**

Nov. 22, 2012 (JP) 2012-028598

(51) **LOC (10) Cl.** **24-02**

(52) **U.S. Cl.**
USPC **D24/146**

(58) **Field of Classification Search**

USPC D24/146, 147, 130, 133, 187; 600/459, 600/461, 446, 439; 378/98.7, 98.8; 606/130
CPC A61B 17/320068; A61B 2017/320072; A61B 2017/320076; A61B 17/320092; A61B 2107/320096

See application file for complete search history.

(56) **References Cited**

U.S. PATENT DOCUMENTS

D377,982 S * 2/1997 Walen D24/147
D392,041 S * 3/1998 Reil D24/146
6,379,307 B1 * 4/2002 Filly et al. 600/461
D482,788 S * 11/2003 Montgomery et al. D24/147
D561,898 S * 2/2008 Goto D24/147
D623,292 S * 9/2010 Kubota D24/140

8,137,281 B2 * 3/2012 Huang et al. 600/461
8,366,727 B2 * 2/2013 Witt et al. 606/169
D680,218 S * 4/2013 Darian et al. D24/144
8,430,889 B2 * 4/2013 Zeng et al. 606/130
D682,422 S * 5/2013 Anderson et al. D24/130
D693,003 S * 11/2013 Wang D24/130
D701,606 S * 3/2014 Ohmukai D24/187
D701,607 S * 3/2014 Ohmukai D24/187
D709,203 S * 7/2014 Shikata D24/187

(Continued)

FOREIGN PATENT DOCUMENTS

JP 1285346 11/2006

Primary Examiner — Ian Simmons

Assistant Examiner — Carissa C Fitts

(74) *Attorney, Agent, or Firm* — Banner & Witcoff, Ltd.

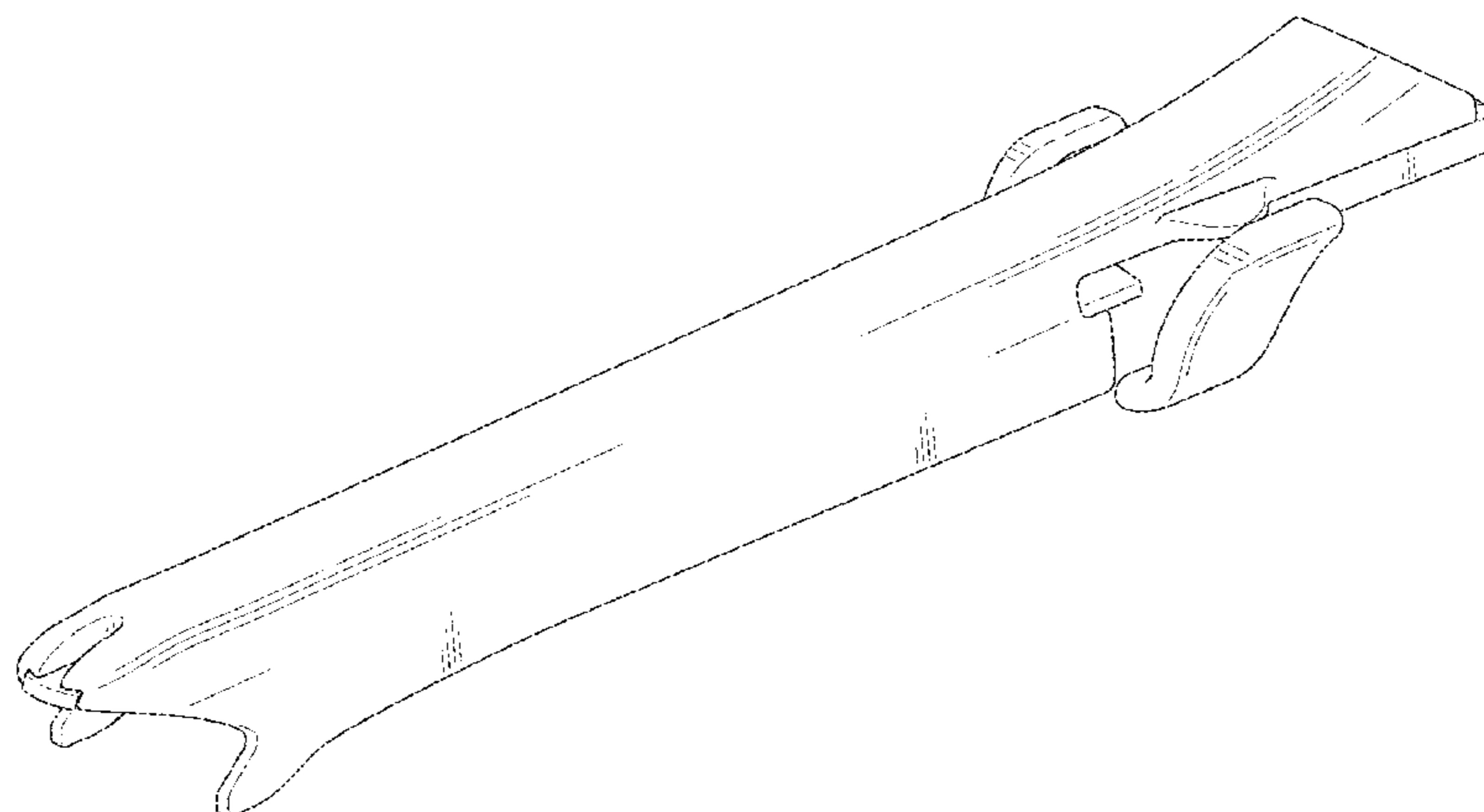
(57) **CLAIM**

The ornamental design for a puncture adapter for ultrasonic probe, as shown and described.

DESCRIPTION

FIG. 1 is a front perspective view of a puncture adapter for ultrasonic probe, showing my new design;
FIG. 2 is a right side perspective view thereof;
FIG. 3 is a front elevational view thereof; the opposite side being a mirror image thereof;
FIG. 4 is a right side elevational view thereof;
FIG. 5 is a left side elevational view thereof;
FIG. 6 is a top plan view thereof;
FIG. 7 is a bottom plan view thereof;
FIG. 8 is a cross sectional view thereof, taken along the line 8-8 in FIG. 6;
FIG. 9 is a partial enlarged view of the left end portion thereof, taken along the line 9-9 in FIG. 3; and,
FIG. 10 is a partial enlarged view of the right end portion thereof, taken along the line 10-10 in FIG. 6.
The broken lines shown in FIG. 8-10 are for environmental purposes only and form no part of the claimed design.

1 Claim, 4 Drawing Sheets



US D733,299 S

Page 2

(56)

References Cited

U.S. PATENT DOCUMENTS

D715,435 S *	10/2014	Darian	D24/146
D715,436 S *	10/2014	Darian	D24/146
2006/0020211 A1*	1/2006	Tokumoto et al.	600/464
D710,512 S *	8/2014	Kitayama	D24/187

* cited by examiner

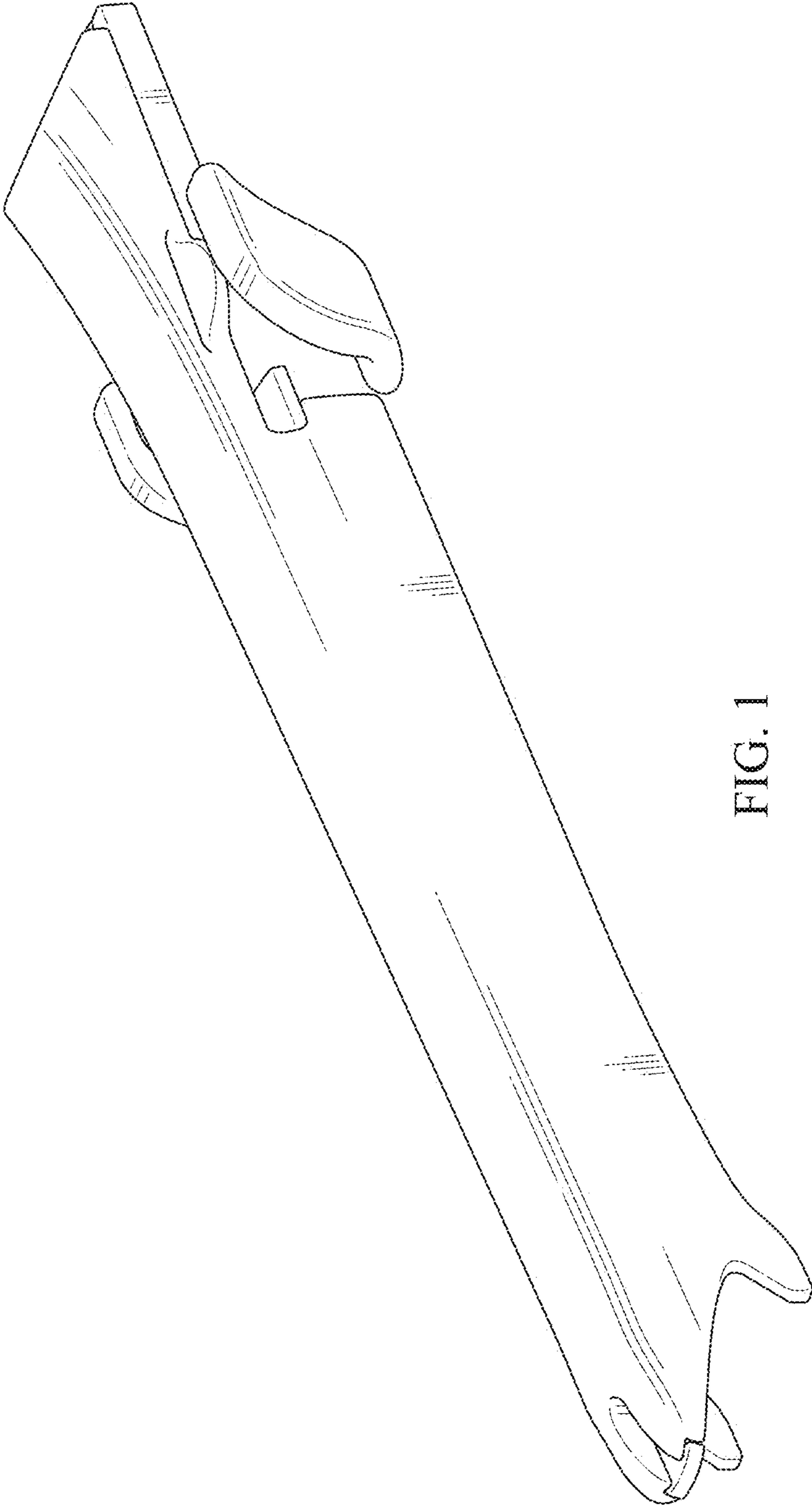


FIG. 1

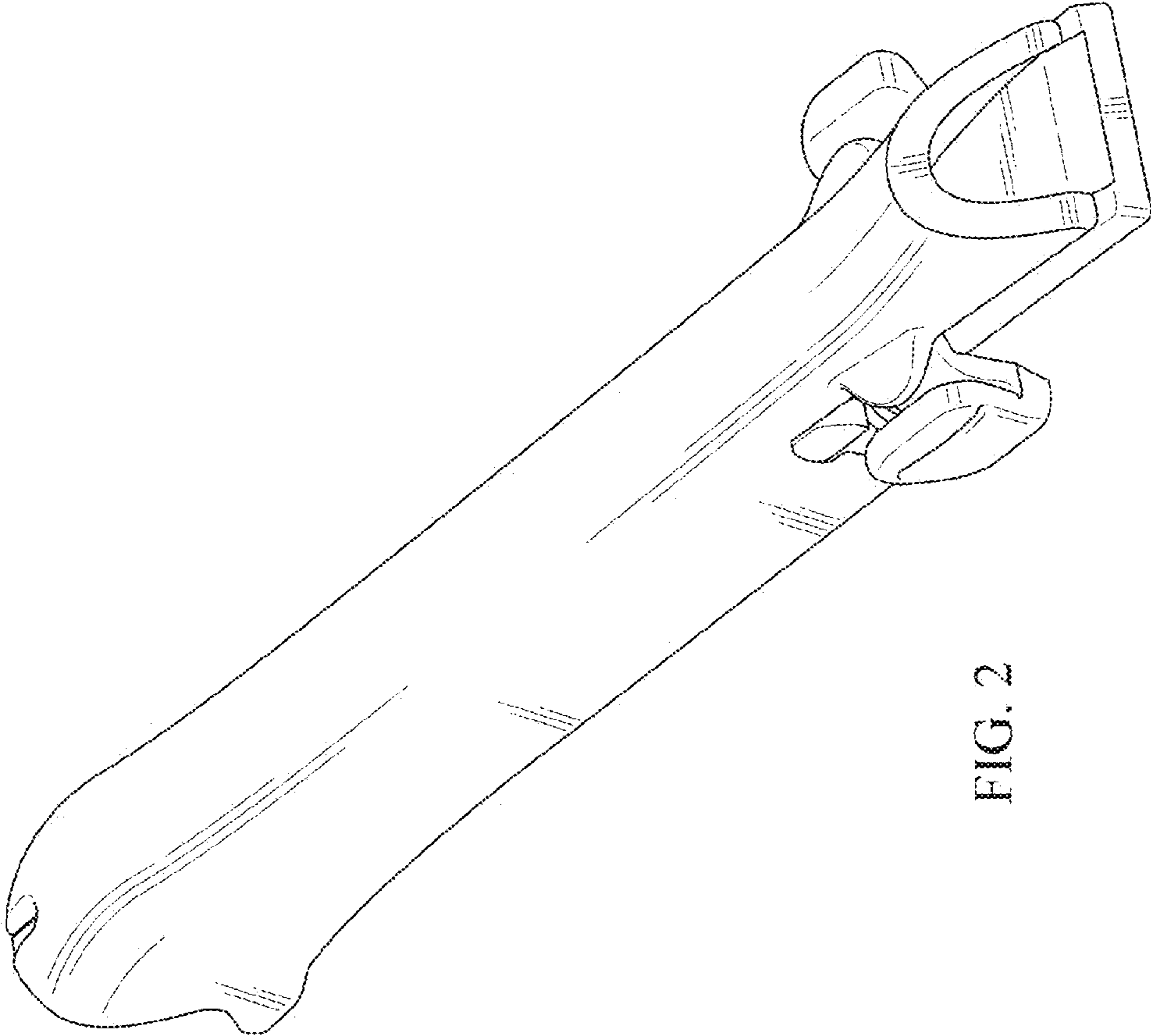


FIG. 2

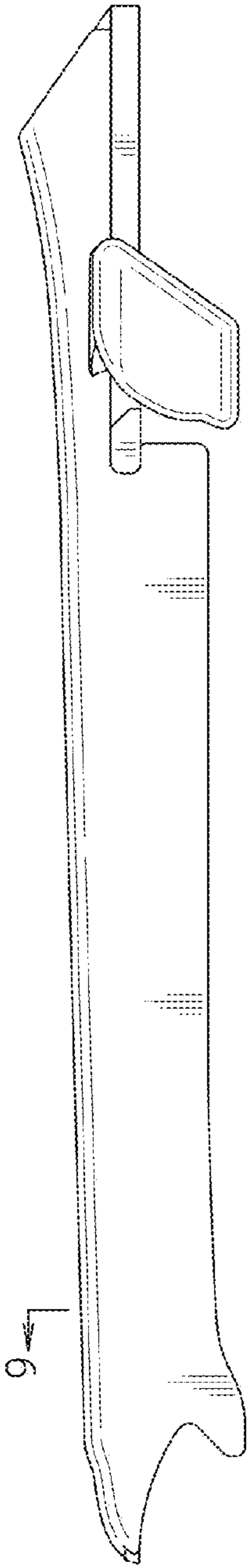


FIG. 3

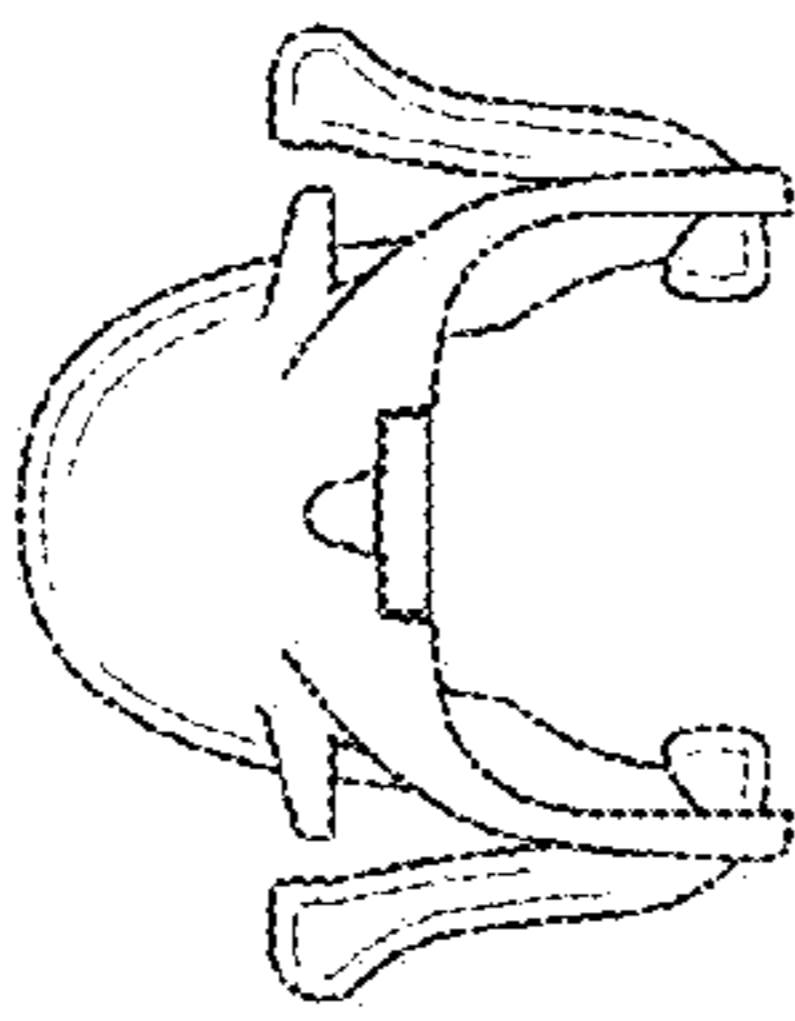


FIG. 5

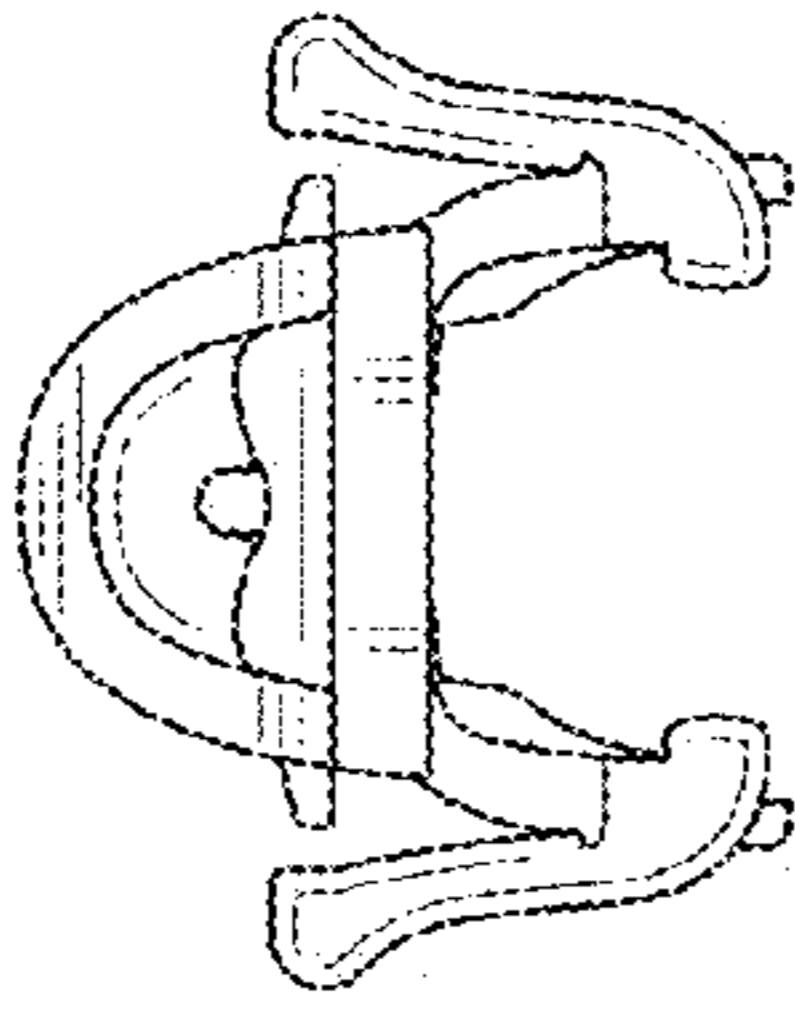


FIG. 4

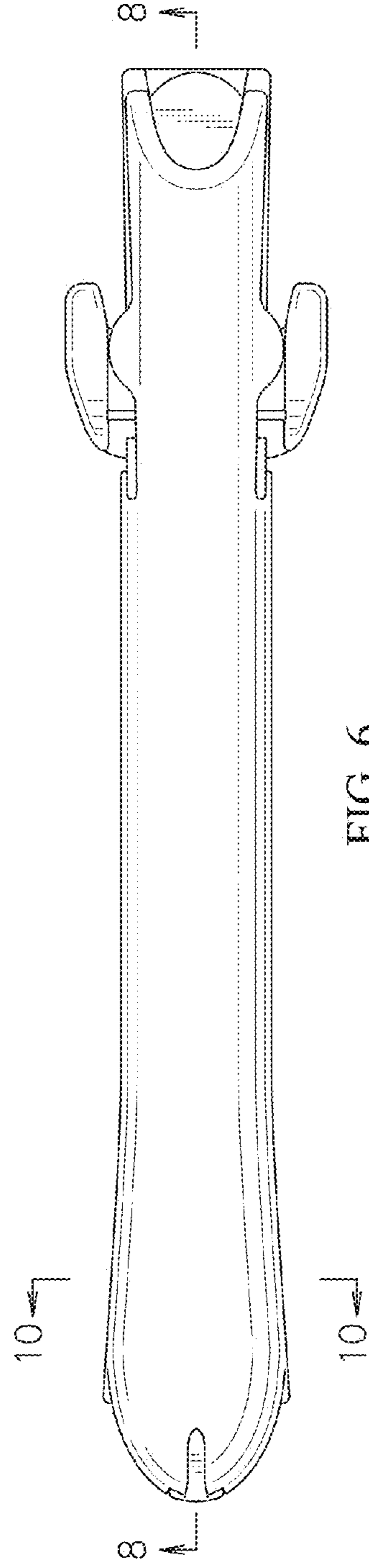


FIG. 6

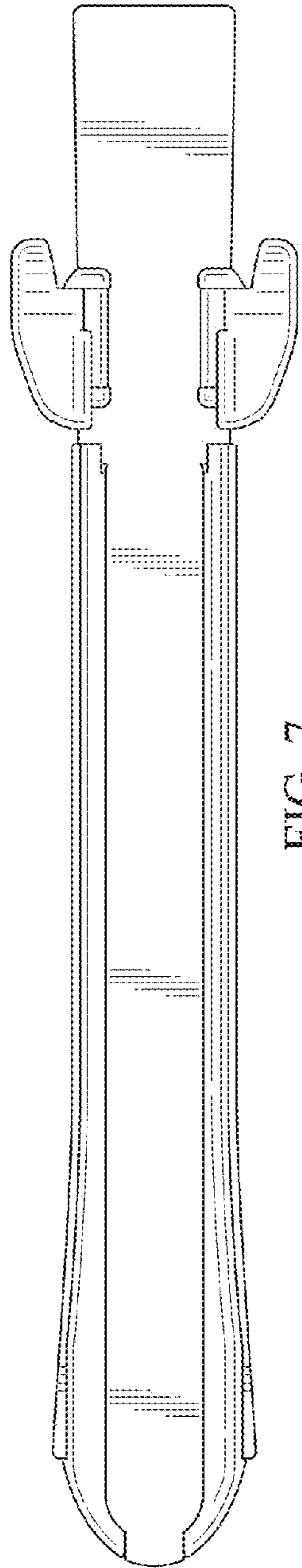


FIG. 7

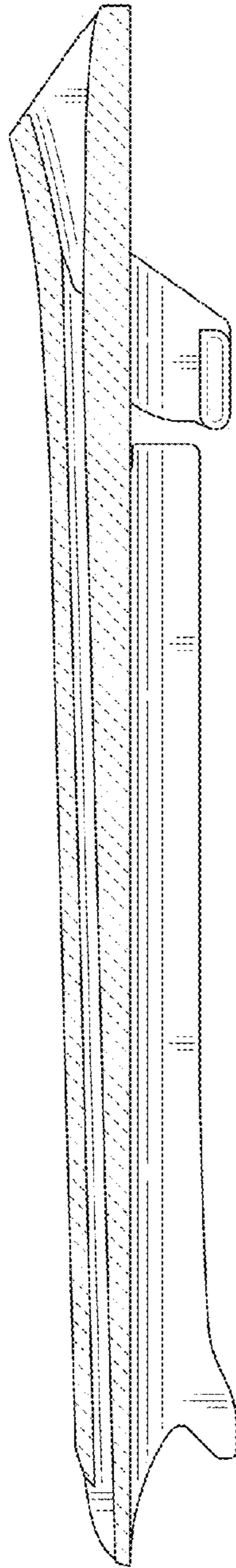


FIG. 8

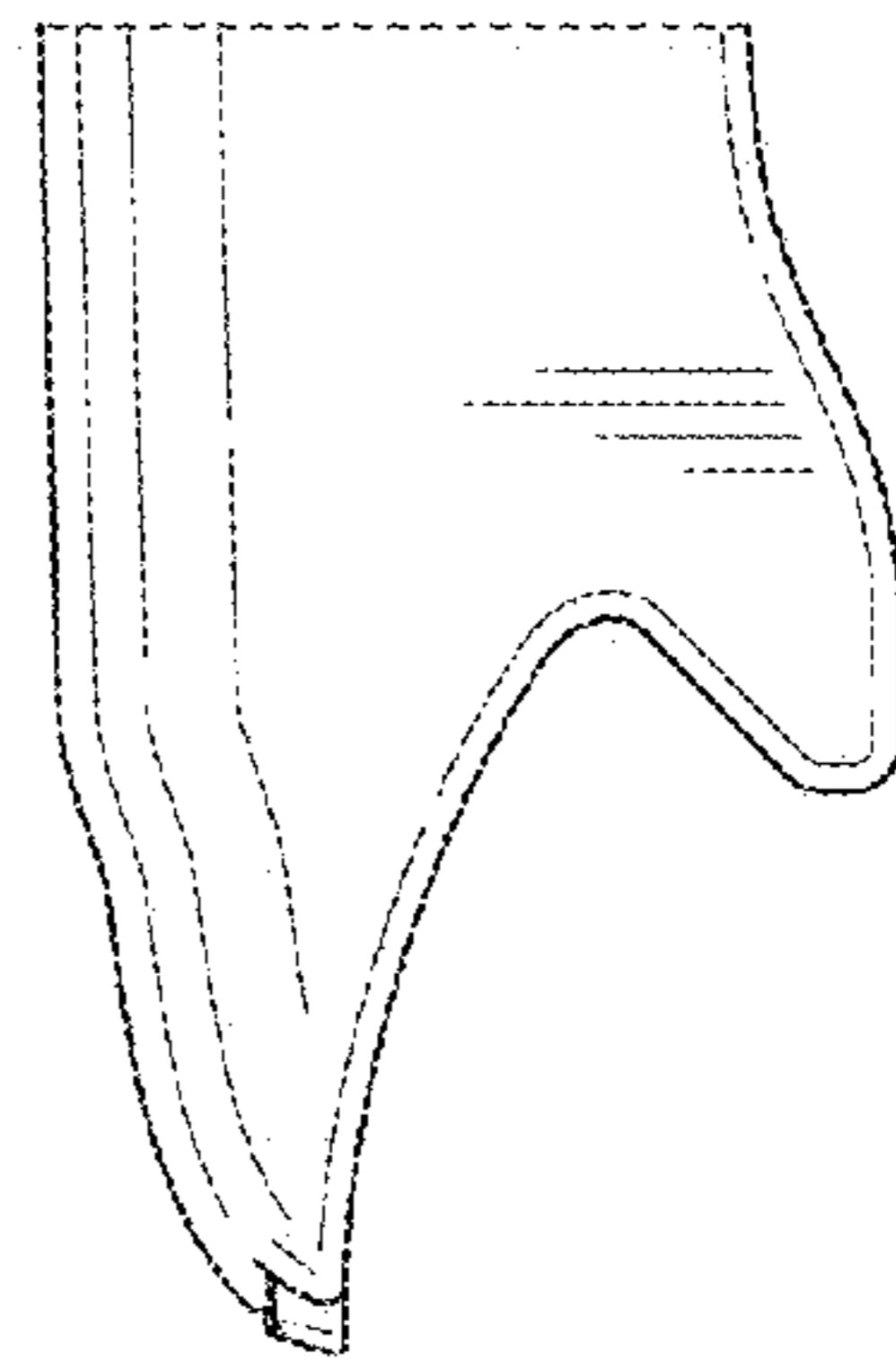


FIG. 9

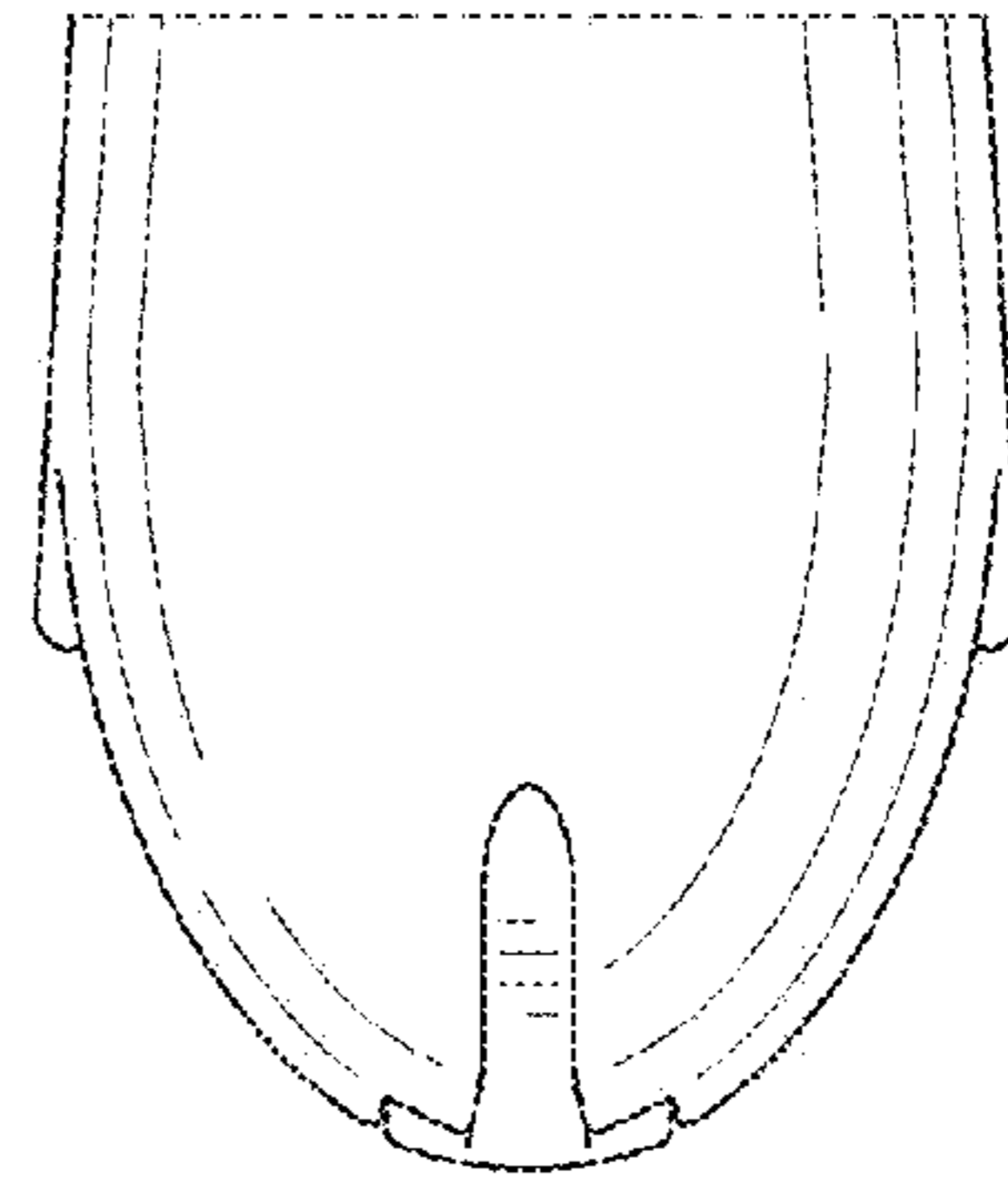


FIG. 10