



US00D733298S

(12) **United States Design Patent**
Mujwid et al.

(10) **Patent No.:** **US D733,298 S**
(45) **Date of Patent:** **** Jun. 30, 2015**

(54) **SURGICAL NEEDLE DEVICE**

(56) **References Cited**

- (71) Applicant: **AMS Research Corporation**,
Minnetonka, MN (US)
- (72) Inventors: **James R. Mujwid**, Crystal, MN (US);
John F. Otte, St. Anthony, MN (US)
- (73) Assignee: **AMS Research Corporation**,
Minnetonka, MN (US)
- (**) Term: **14 Years**
- (21) Appl. No.: **29/450,457**
- (22) Filed: **Mar. 18, 2013**

U.S. PATENT DOCUMENTS

D525,361	S	*	7/2006	Hushka	D24/143
D569,515	S	*	5/2008	DeLonzor et al.	D24/146
D569,516	S	*	5/2008	DeLonzor et al.	D24/146
D575,395	S	*	8/2008	Hushka	D24/133
D585,547	S	*	1/2009	Bisleri	D24/135
D628,290	S	*	11/2010	Romero	D24/133
D628,695	S	*	12/2010	Ruf	D24/146
D634,426	S	*	3/2011	Zollers	D24/147
8,070,672	B2	*	12/2011	Arnal et al.	600/30
D659,828	S	*	5/2012	Horning et al.	D24/146
D660,430	S	*	5/2012	Horning et al.	D24/146
D662,206	S	*	6/2012	Way et al.	D24/152
D665,909	S	*	8/2012	Dodd et al.	D24/146
D671,644	S	*	11/2012	Dodd et al.	D24/146
D673,679	S	*	1/2013	Hong	D24/146
2009/0105750	A1	*	4/2009	Price et al.	606/206

* cited by examiner

Related U.S. Application Data

- (63) Continuation of application No. 12/606,758, filed on Oct. 27, 2009.
- (51) **LOC (10) Cl.** **24-02**
- (52) **U.S. Cl.**
USPC **D24/146**
- (58) **Field of Classification Search**
USPC D24/146, 147, 133, 114, 144, 145;
606/170, 208, 207, 564, 566, 567;
600/29-31, 37
CPC A61B 2017/00243; A61B 2017/00261;
A61B 2017/00265; A61B 2018/00607; A61B
2018/00601; A61B 17/34; A61B 17/32;
A61B 17/16; A61B 17/14
See application file for complete search history.

Primary Examiner — Ian Simmons

Assistant Examiner — Carissa C Fitts

(74) *Attorney, Agent, or Firm* — Gregory L. Koeller

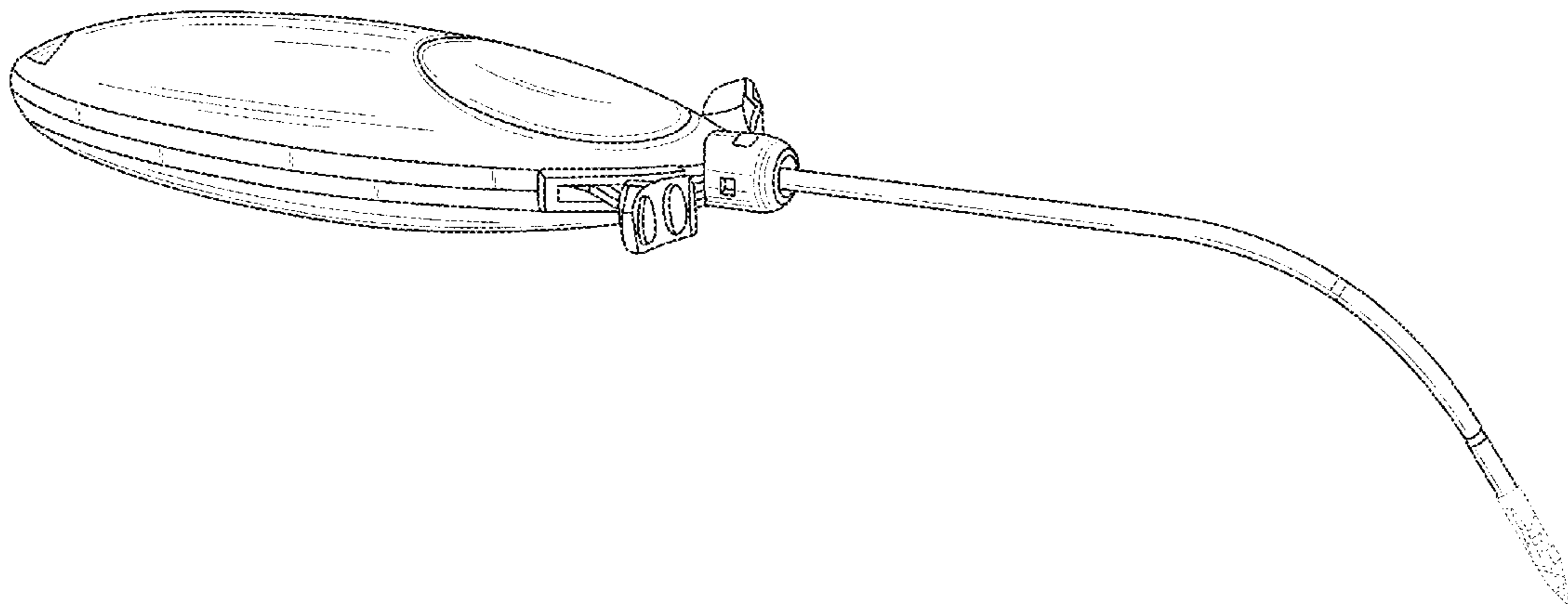
(57) **CLAIM**

We claim the ornamental design for a surgical needle device, as shown and described.

DESCRIPTION

FIG. 1 is a perspective view of a surgical needle device showing our new design.
FIG. 2 is a top view thereof; and,
FIG. 3 is a side view thereof.
The broken lines are for illustrative purposes only and form no part of the claimed design.

1 Claim, 2 Drawing Sheets



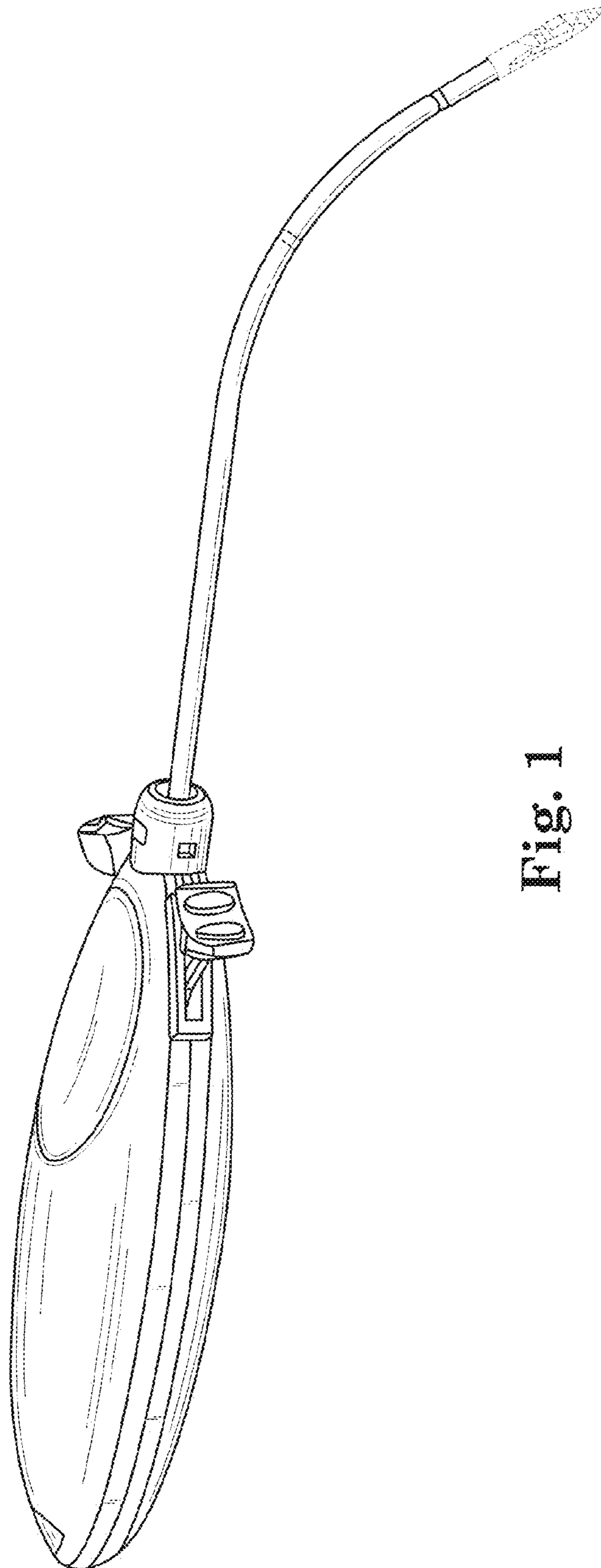


Fig. 1

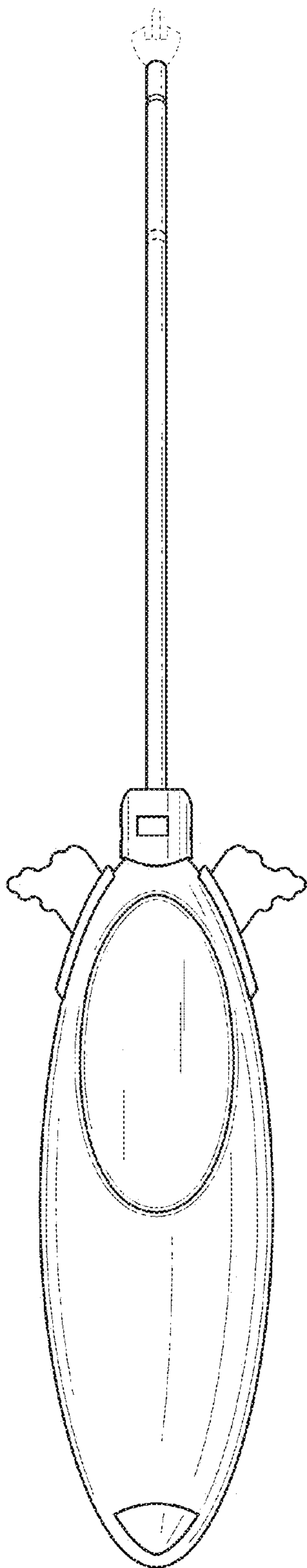


Fig. 2

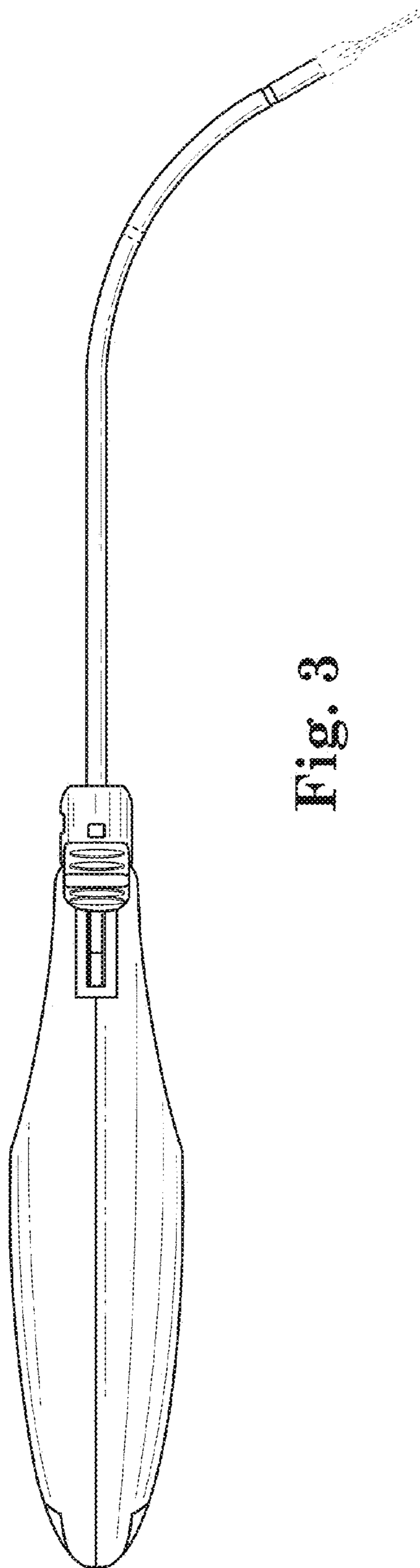


Fig. 3