



US00D733296S

(12) **United States Design Patent**
Wentling et al.

(10) **Patent No.:** **US D733,296 S**
(45) **Date of Patent:** **** Jun. 30, 2015**

(54) **ARM WITH WRAPPING FIXTURE POSTS**

(71) Applicant: **Surgical Specialties Corporation**,
Reading, PA (US)

(72) Inventors: **Angela Wentling**, Perkiomenville, PA
(US); **David Mucko**, Lancaster, PA
(US); **Mark Hoyt**, Birdsboro, PA (US)

(73) Assignee: **Surgical Specialties Corporation**

(**) Term: **14 Years**

(21) Appl. No.: **29/486,284**

(22) Filed: **Mar. 27, 2014**

(51) **LOC (10) Cl.** **24-01**

(52) **U.S. Cl.**
USPC **D24/145**

(58) **Field of Classification Search**
USPC D24/145, 128, 130, 224, 231;
242/472.5, 129, 129.5, 129.72, 139;
206/63.3, 380, 388, 495, 593
See application file for complete search history.

(56) **References Cited**

U.S. PATENT DOCUMENTS

2,626,062	A *	1/1953	Manzella	242/139
D268,811	S	5/1983	Black		
4,427,109	A	1/1984	Roshdy		
4,491,218	A	1/1985	Aday		
4,555,016	A	11/1985	Aday et al.		
4,572,363	A	2/1986	Alpern		
4,586,602	A *	5/1986	Levey	206/495
5,005,694	A *	4/1991	Davis et al.	206/495

5,101,968	A	4/1992	Henderson et al.		
5,127,518	A	7/1992	Holzwarth et al.		
5,199,561	A	4/1993	Roshdy et al.		
5,236,082	A	8/1993	Brown		
5,461,844	A	10/1995	Brown		
5,533,611	A	7/1996	Bordighon et al.		
D382,960	S	8/1997	Chambers		
5,667,155	A *	9/1997	Cerwin et al.	242/472.5
5,746,311	A	5/1998	Brown et al.		
5,871,089	A	2/1999	Odermatt		
6,045,035	A	4/2000	Murakami et al.		
6,080,184	A	6/2000	Peters et al.		
7,665,279	B2 *	2/2010	Prescott	206/63.3
8,292,067	B2 *	10/2012	Chowaniec et al.	206/63.3
8,459,446	B2 *	6/2013	Kozlowski	206/63.3
8,556,069	B2	10/2013	Kirsch		

* cited by examiner

Primary Examiner — Wan Laymon

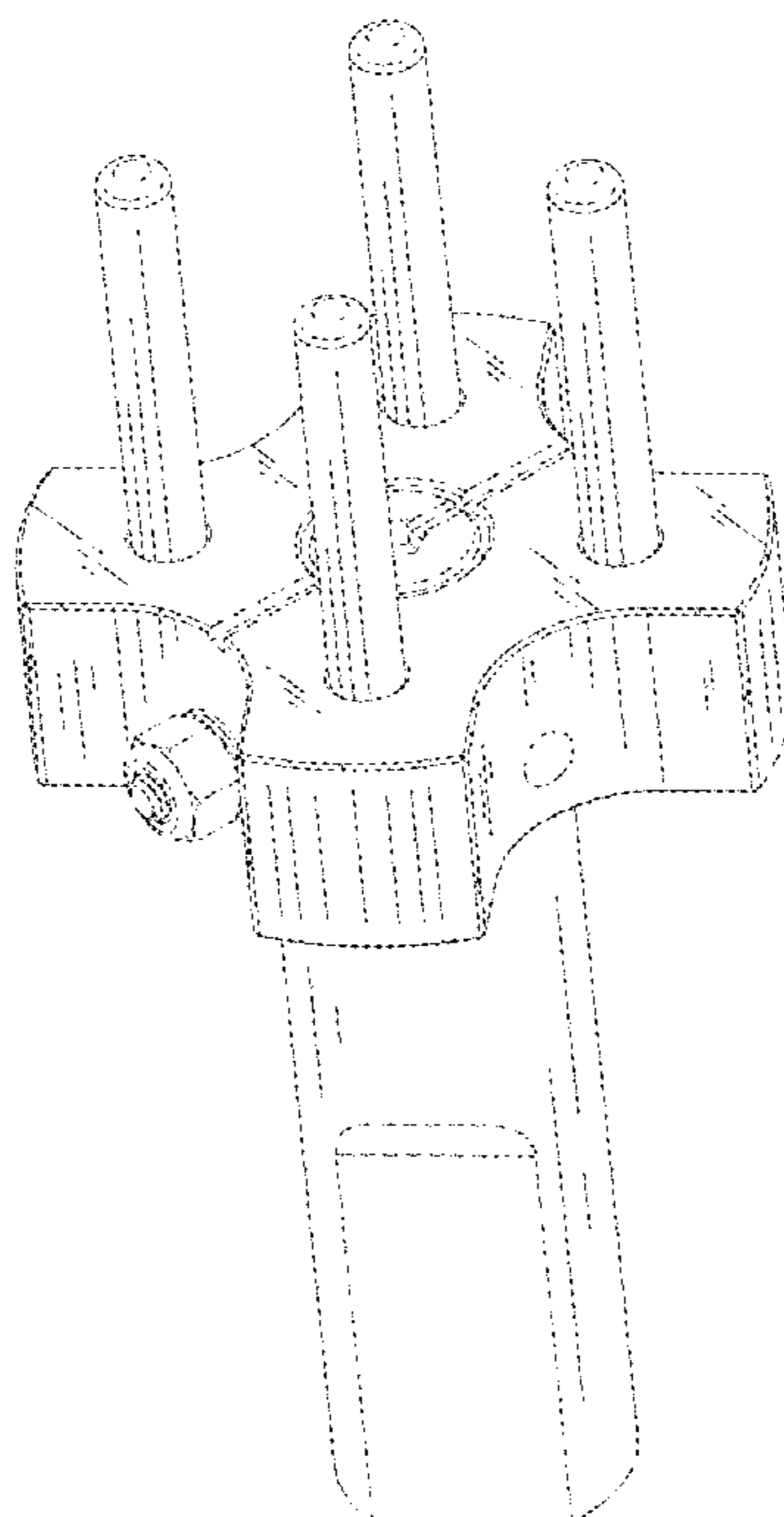
(57) **CLAIM**

The ornamental design for an arm with wrapping fixture posts, as shown and described.

DESCRIPTION

FIG. 1 is a perspective view of an arm with wrapping fixture posts showing our new design.
FIG. 2 is a front elevation view thereof.
FIG. 3 is a rear elevation view thereof.
FIG. 4 is a left side elevation view thereof.
FIG. 5 is a right side elevation view thereof.
FIG. 6 is a top plan view thereof; and,
FIG. 7 is a bottom plan view thereof.
The broken lines in the figures form no part of the claimed design.

1 Claim, 6 Drawing Sheets



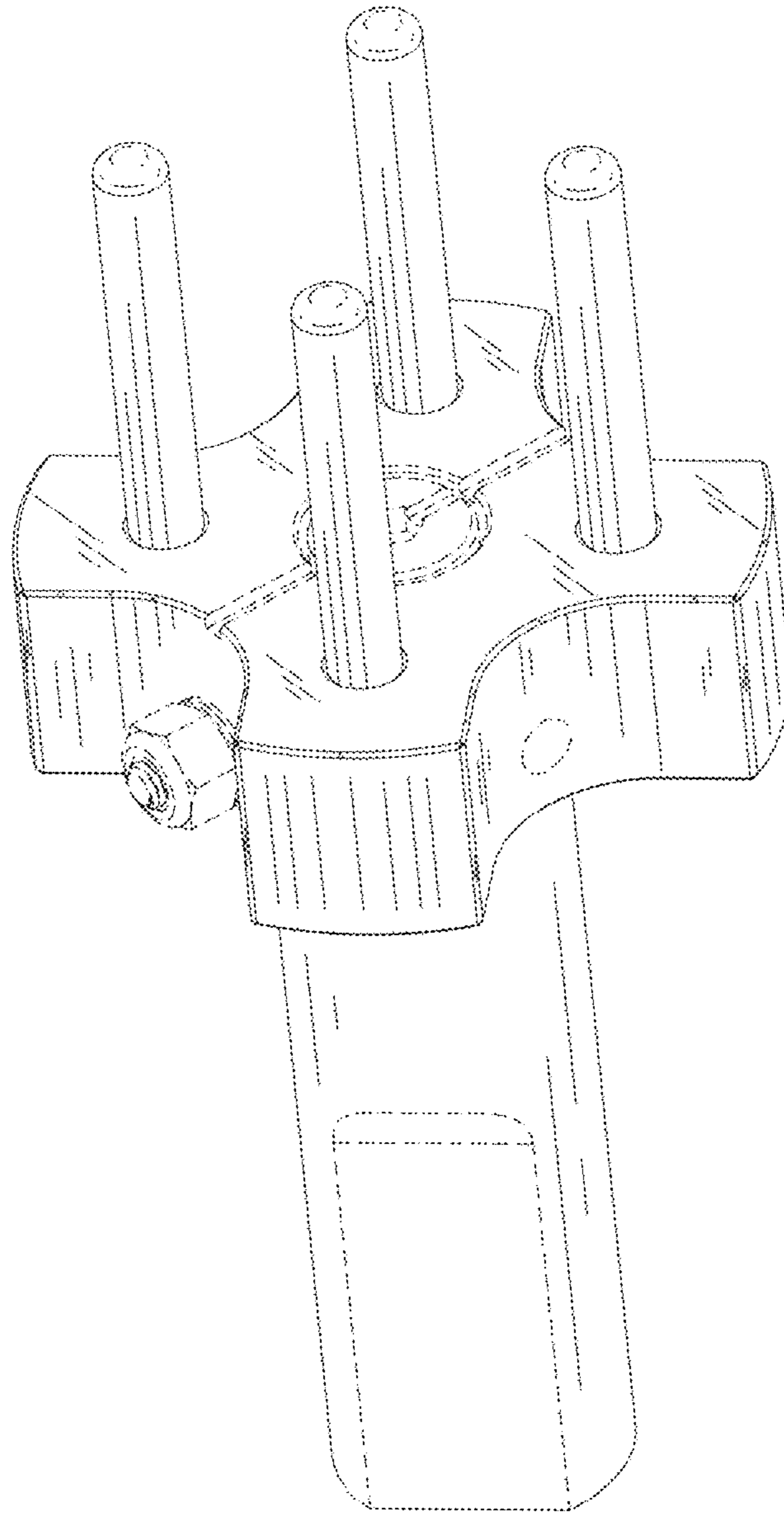


FIG. 1

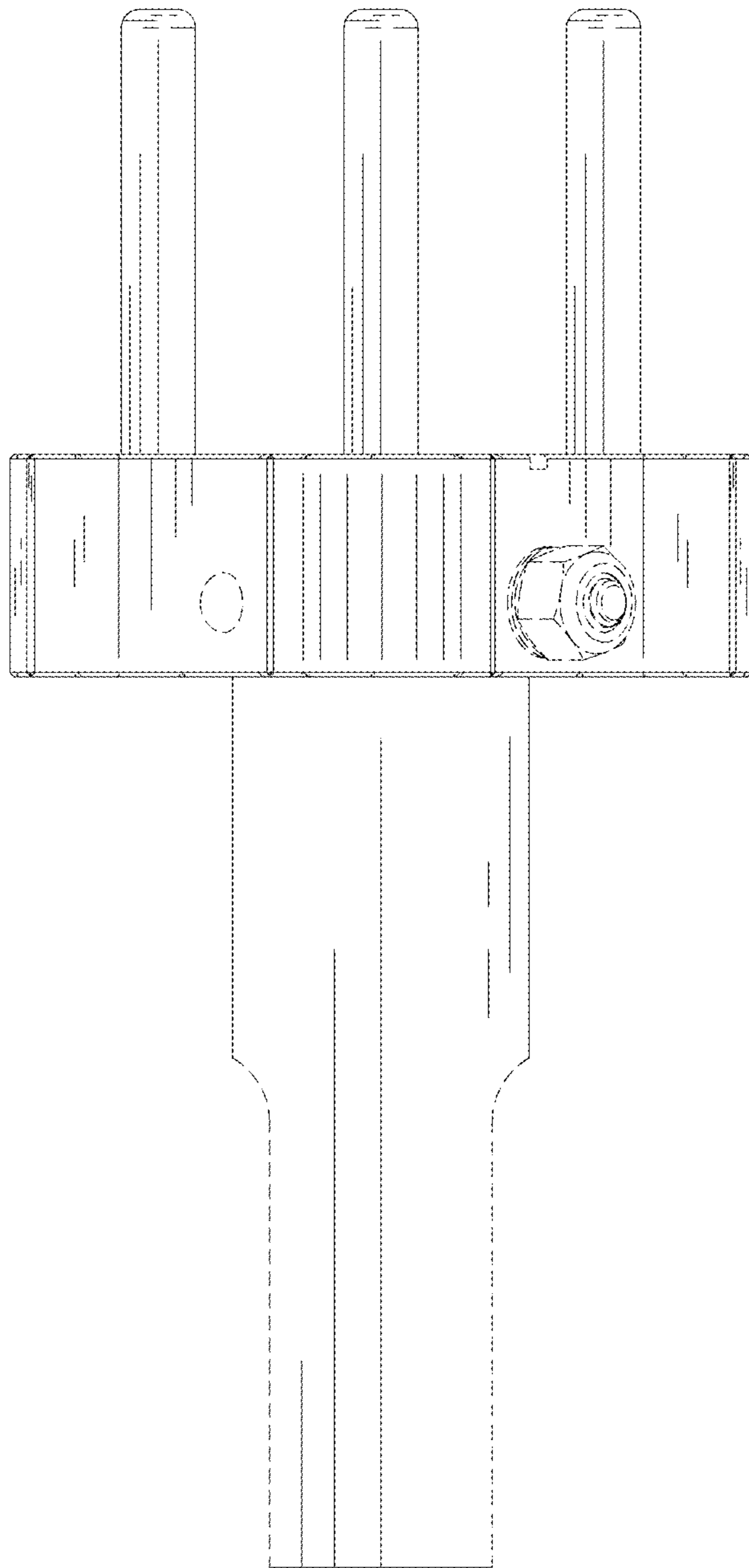


FIG. 2

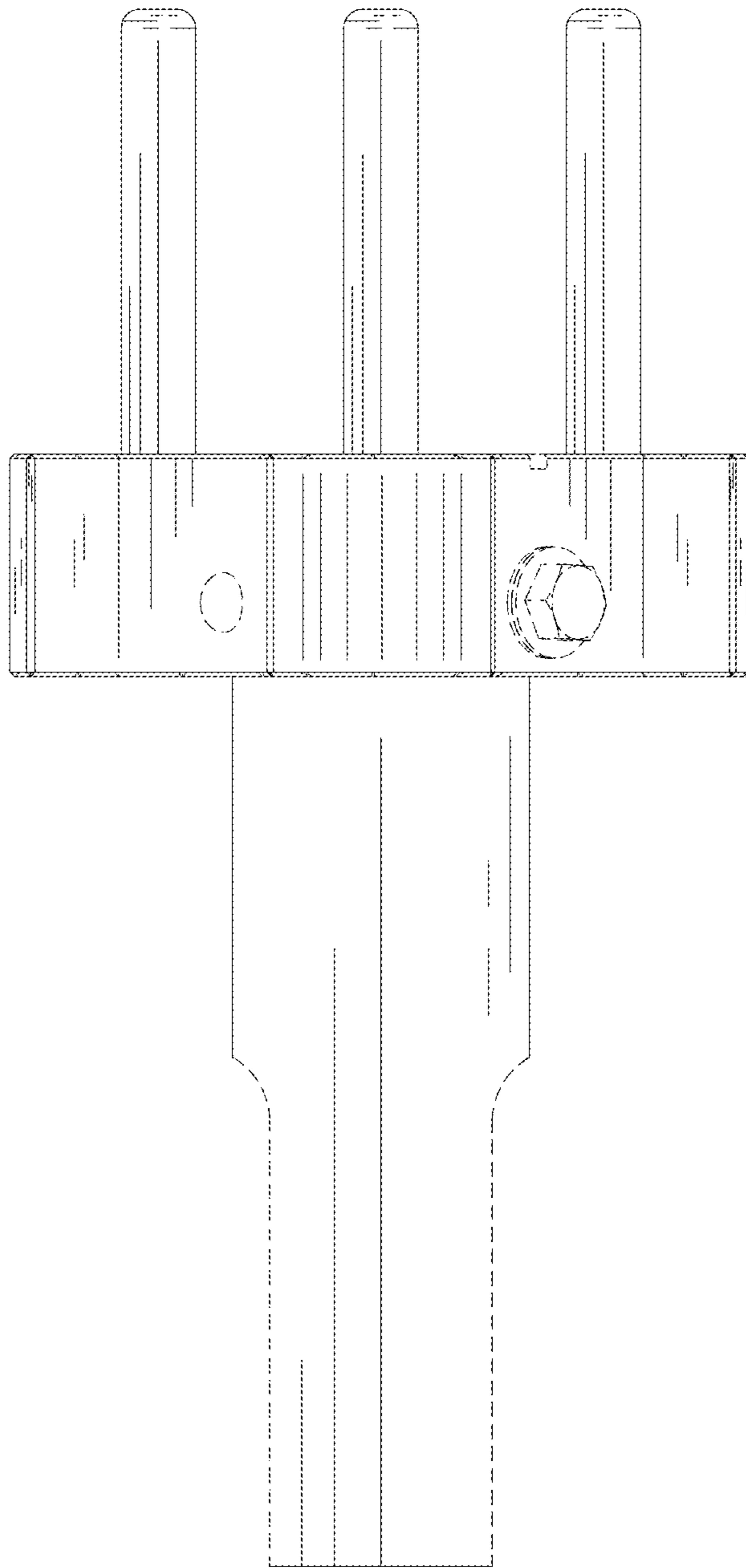


FIG. 3

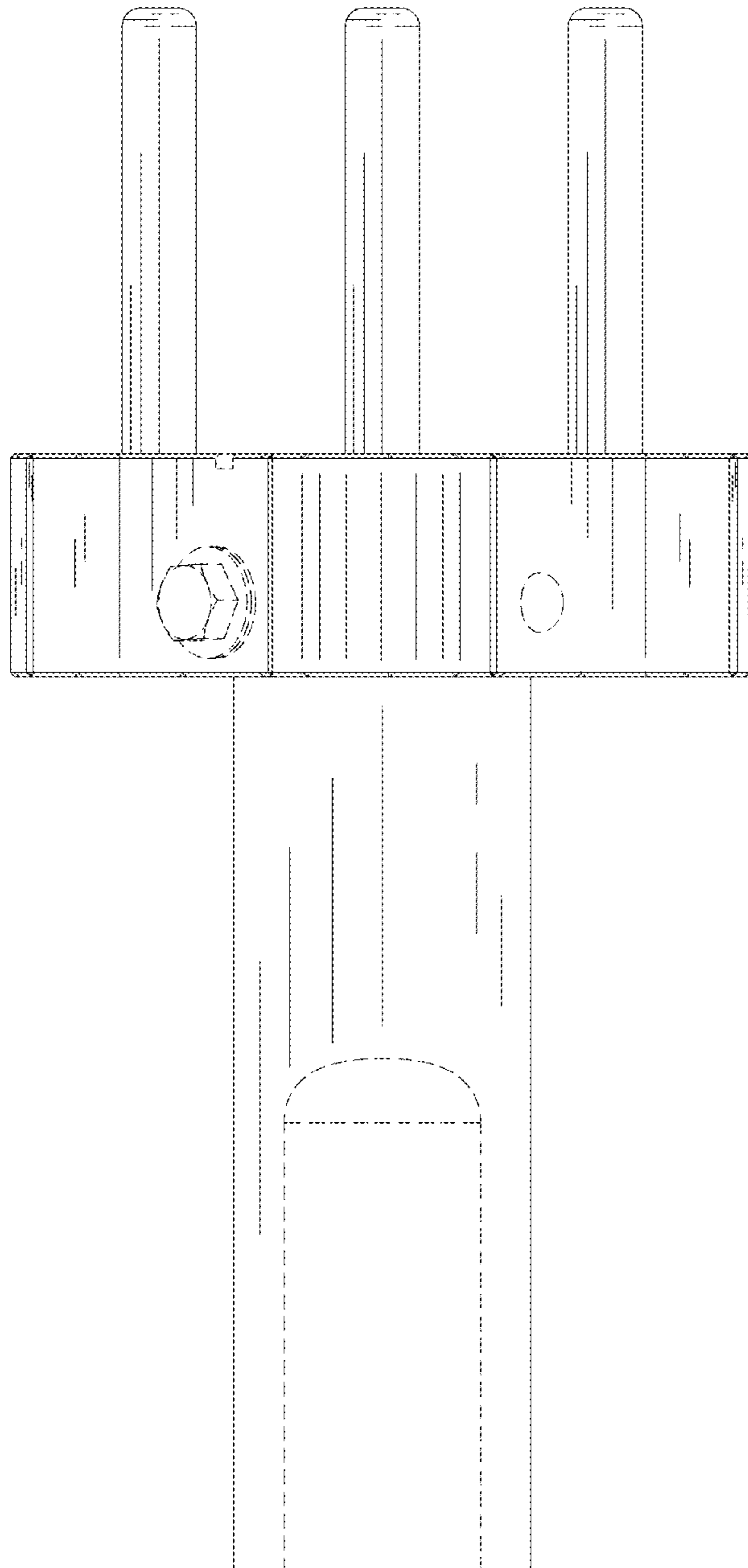


FIG. 4

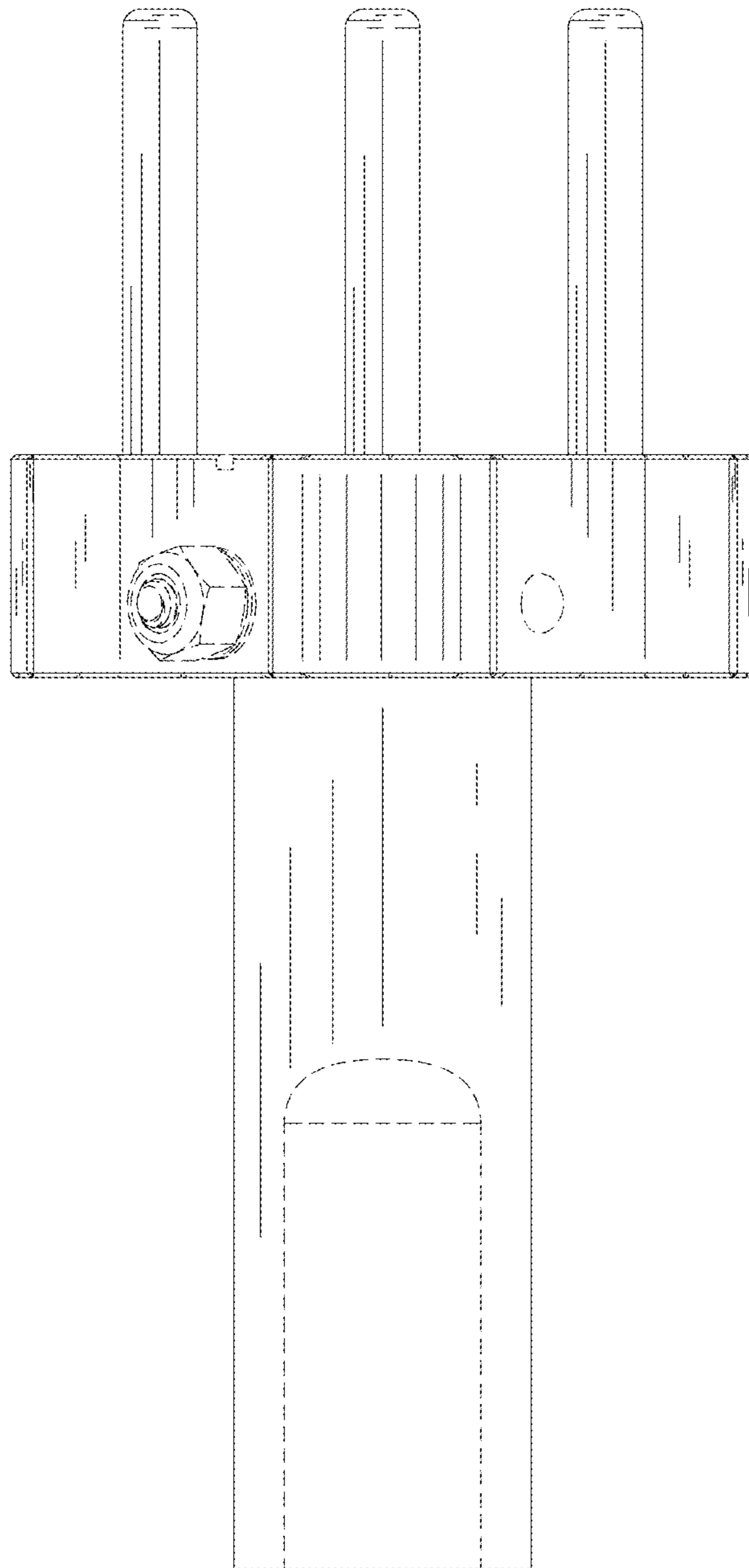


FIG. 5

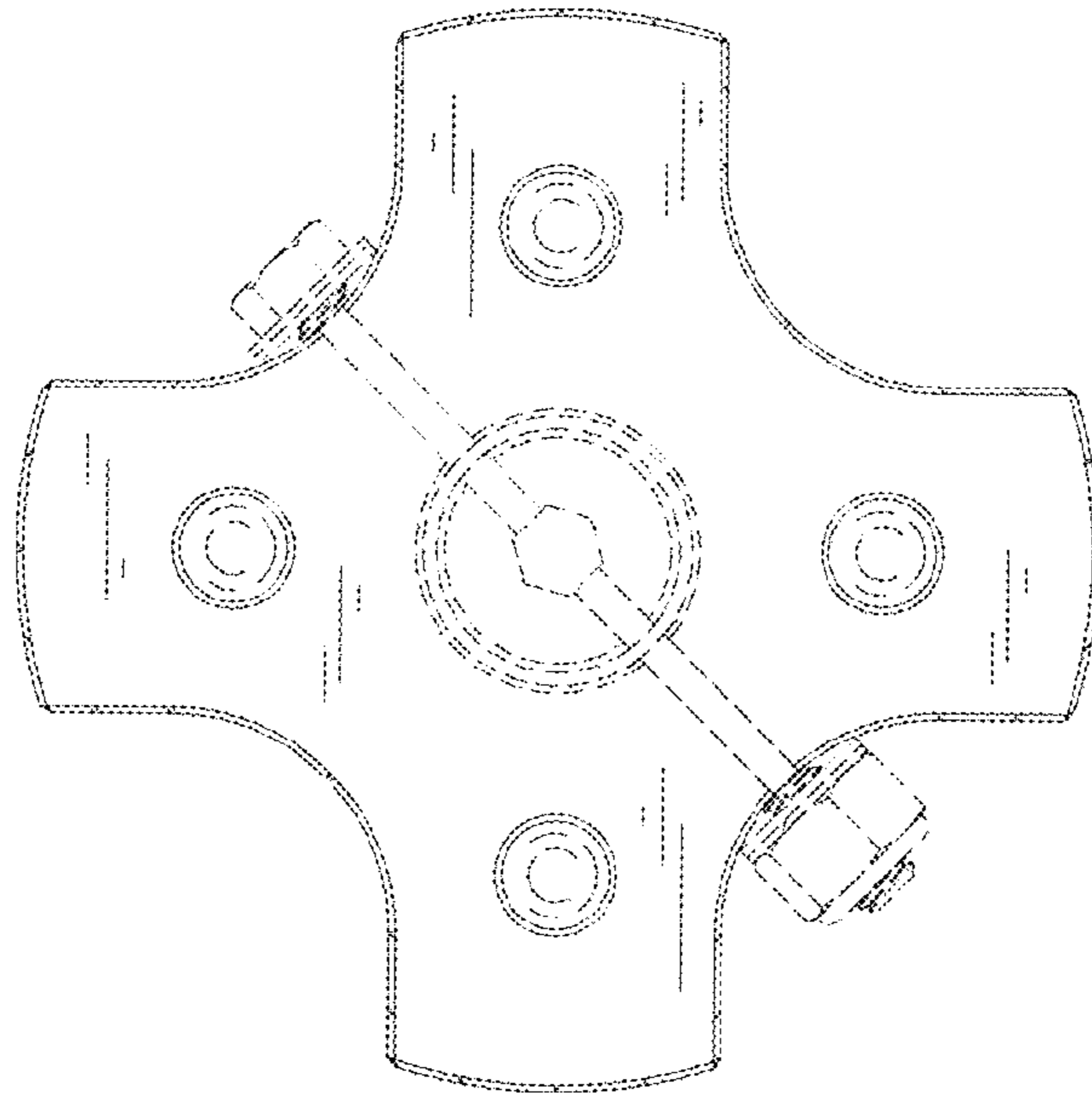


FIG. 6

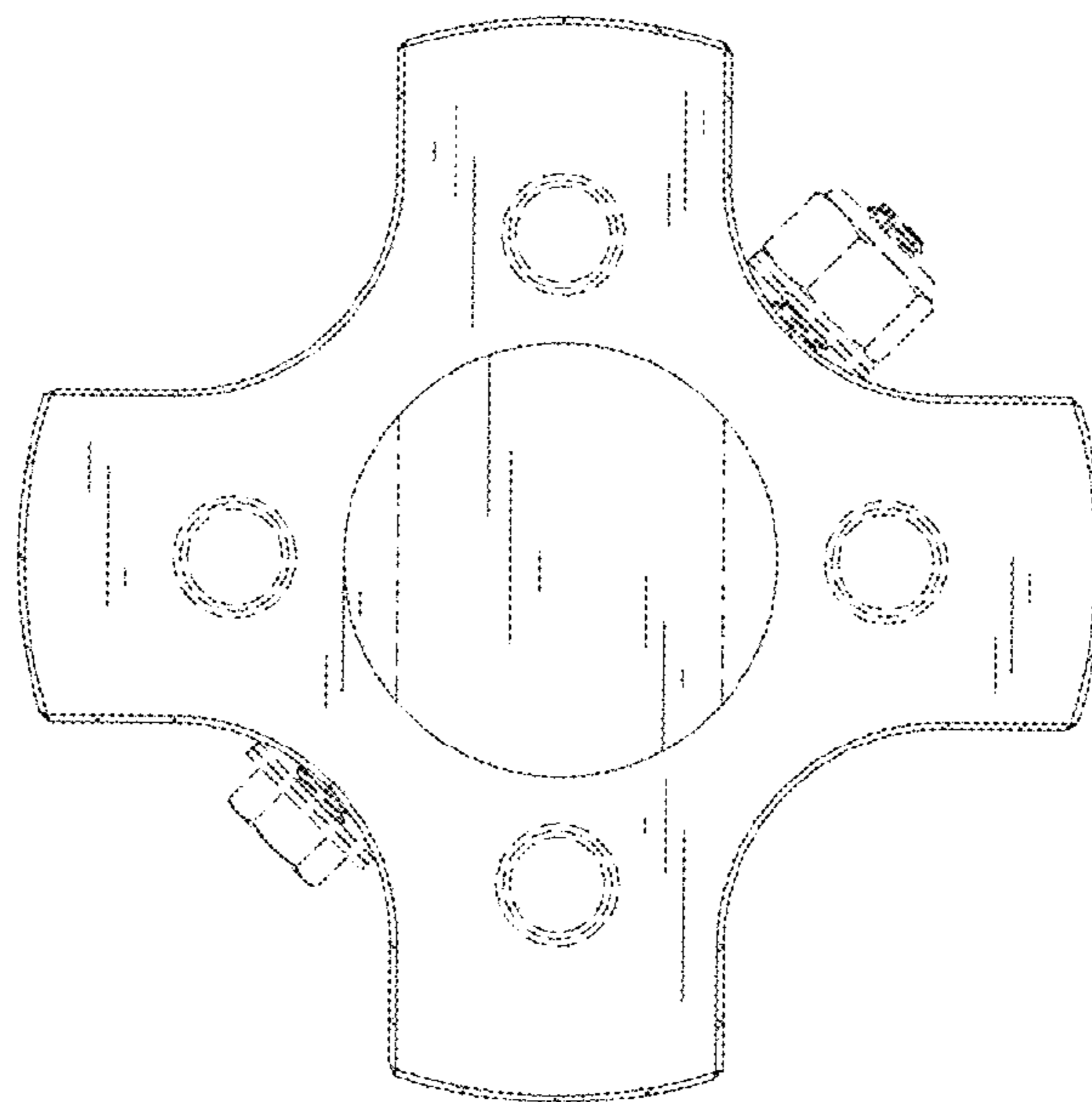


FIG. 7