



US00D733293S

(12) **United States Design Patent**
Rogers

(10) **Patent No.:** **US D733,293 S**

(45) **Date of Patent:** **** *Jun. 30, 2015**

(54) **ENERGY GUIDE**

(71) Applicant: **Charles Brian Rogers**, Dunedin, FL
(US)

(72) Inventor: **Charles Brian Rogers**, Dunedin, FL
(US)

(73) Assignee: **ROCOMP GLOBAL, LLC**, Houston,
TX (US)

(*) Notice: This patent is subject to a terminal disclaimer.

(**) Term: **14 Years**

(21) Appl. No.: **29/450,138**

(22) Filed: **Mar. 15, 2013**

(51) **LOC (10) Cl.** **24-01**

(52) **U.S. Cl.**
USPC **D24/129**

(58) **Field of Classification Search**

USPC D24/129, 112-114, 130, 127, 104, 133,
D24/186, 108; 606/181, 185; 604/264, 272,
604/115, 164.01-164.09, 533, 232, 187,
604/168.01, 192, 19, 48, 93.01, 523, 524,
604/526; 600/101, 139, 143; 601/67;
128/200.24, 207.14, 207.15

See application file for complete search history.

(56) **References Cited**

U.S. PATENT DOCUMENTS

D296,592 S * 7/1988 Wellenstam D24/129
D310,123 S * 8/1990 Carlson D24/162

D321,251 S * 10/1991 Jepson et al. D24/112
D433,503 S * 11/2000 Powers et al. D24/112
D484,593 S * 12/2003 Baillargeon et al. D24/129
D602,128 S * 10/2009 Williams et al. D23/262
D652,939 S * 1/2012 Palizza et al. D24/200
D673,673 S * 1/2013 Wang D24/129
D674,904 S * 1/2013 Aunio D24/210
D676,544 S * 2/2013 Blocher D24/108
D703,558 S * 4/2014 Matusik D10/96
D703,561 S * 4/2014 Matusik D10/96
D712,767 S * 9/2014 Matusik D10/96

* cited by examiner

Primary Examiner — David Muller

Assistant Examiner — Nathan Johnston

(74) *Attorney, Agent, or Firm* — The Compton Law Firm,
P.C.; Scott D. Compton

(57) **CLAIM**

The ornamental design for an energy guide, as shown and described.

DESCRIPTION

FIG. 1 is a perspective view of an energy guide showing my new design;

FIG. 2 is a top plan view thereof;

FIG. 3 is a bottom plan view thereof;

FIG. 4 is a right side elevation view thereof;

FIG. 5 is a left side elevation view thereof;

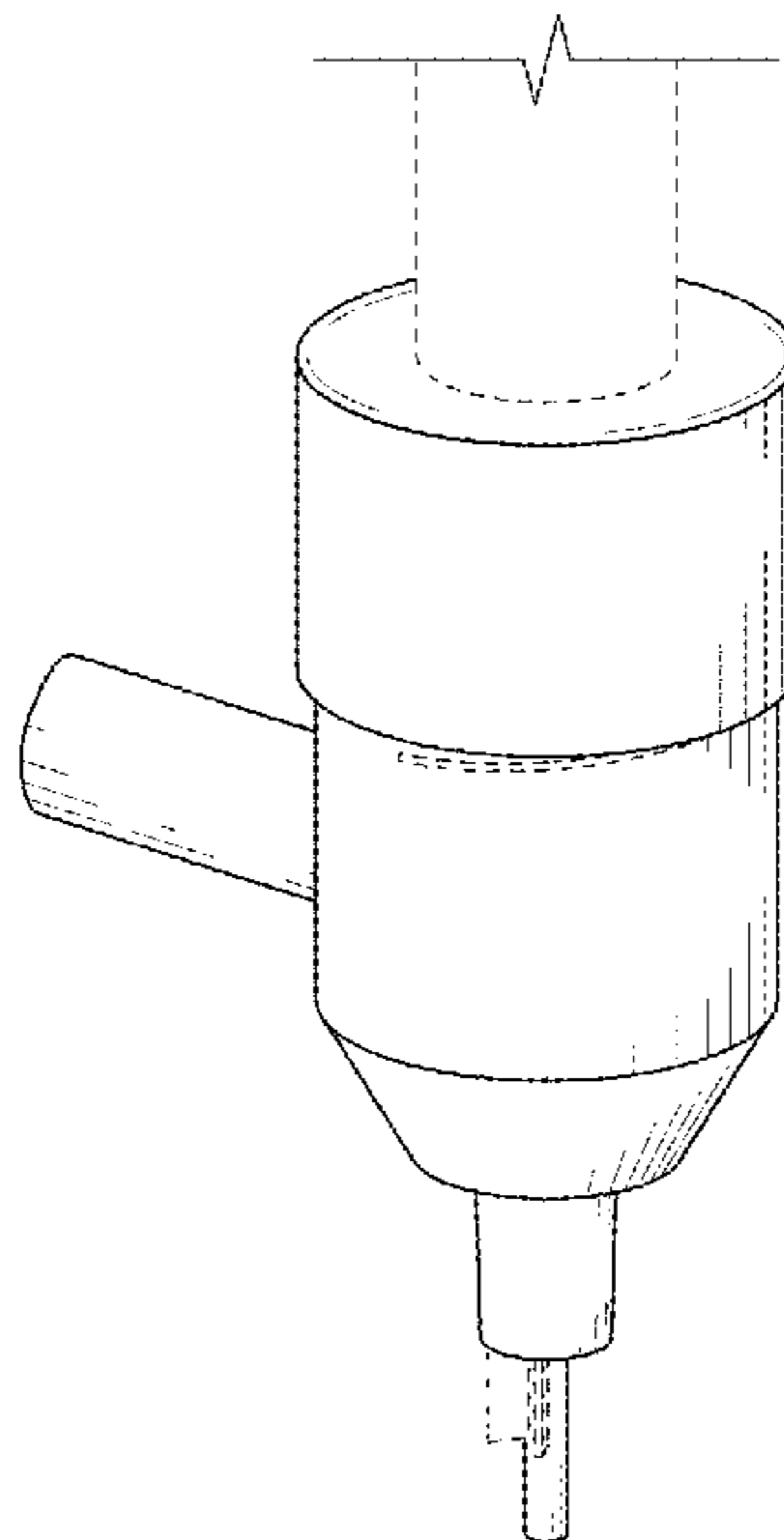
FIG. 6 is a front elevation view thereof;

FIG. 7 is a back elevation view thereof; and,

FIG. 8 is an environmental perspective view thereof.

The broken lines are shown for environmental purposes only and form no part of the claim.

1 Claim, 2 Drawing Sheets



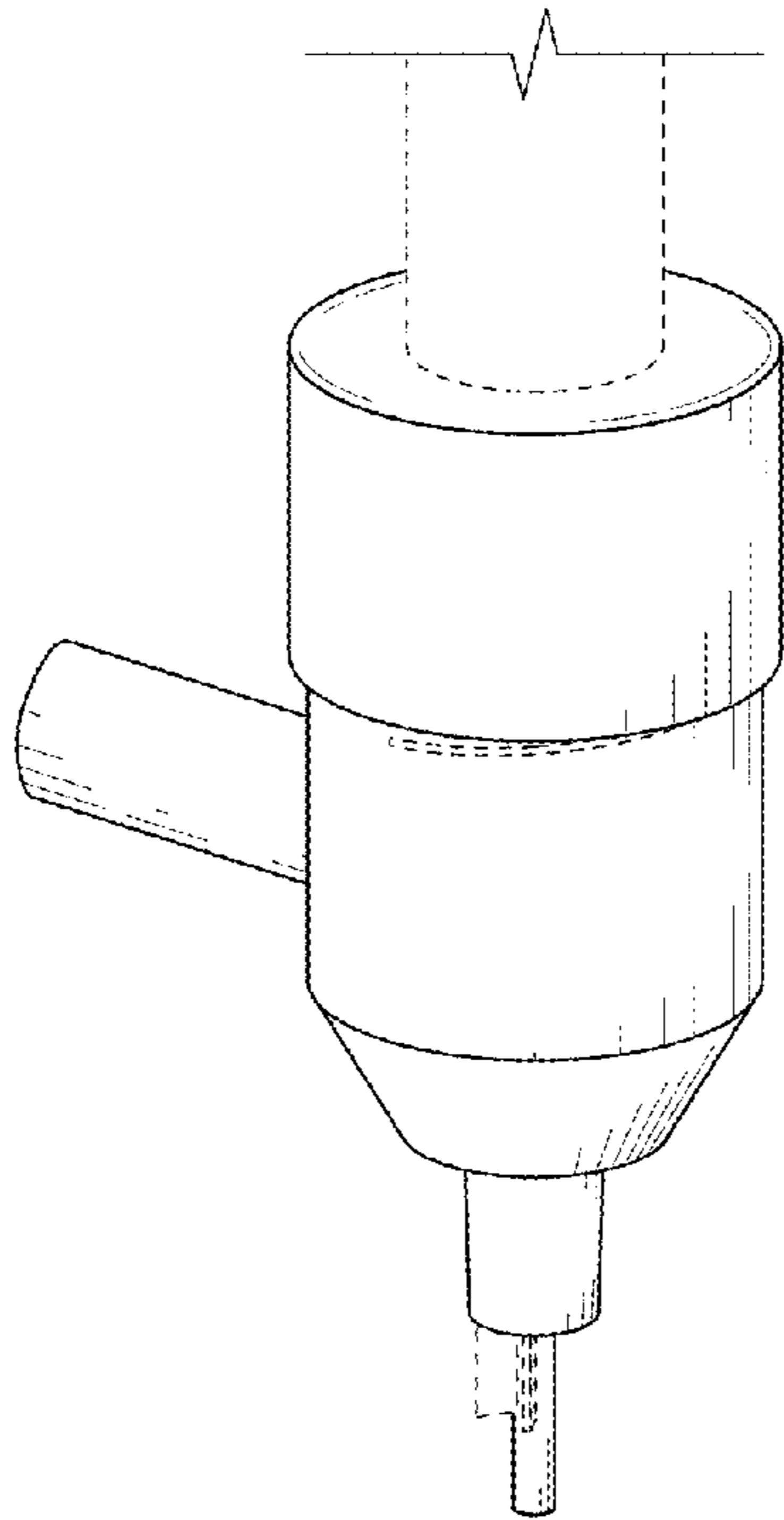


FIG. 1

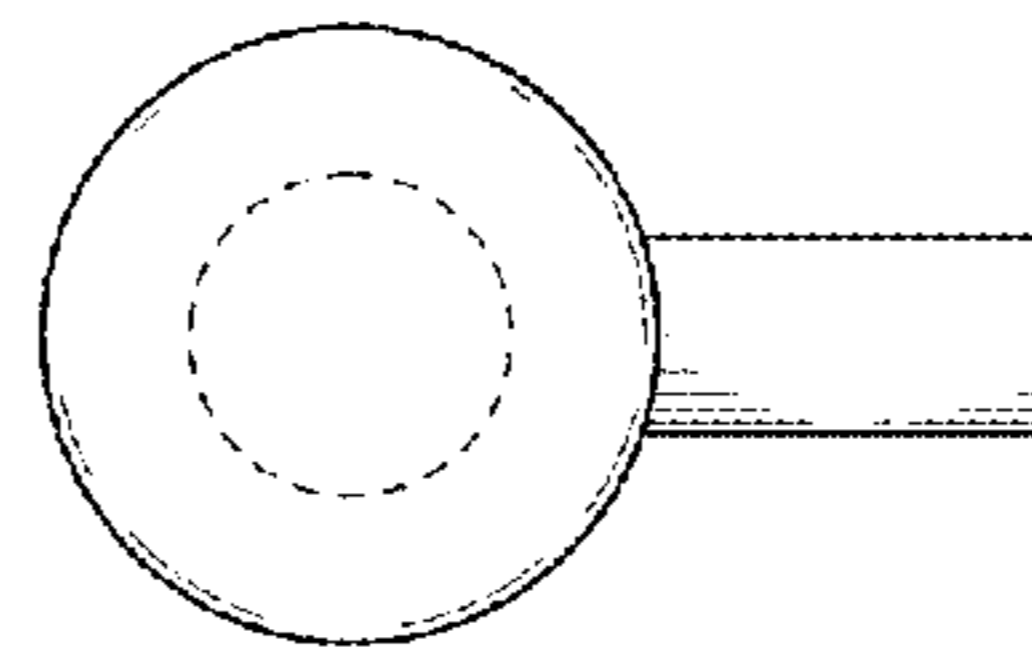


FIG. 2

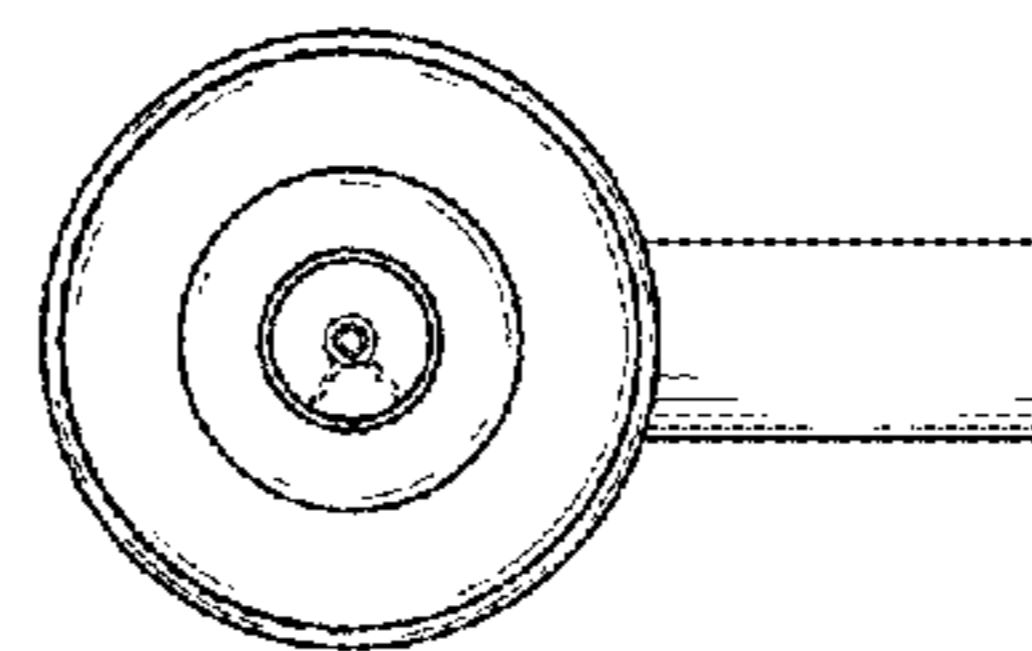


FIG. 3

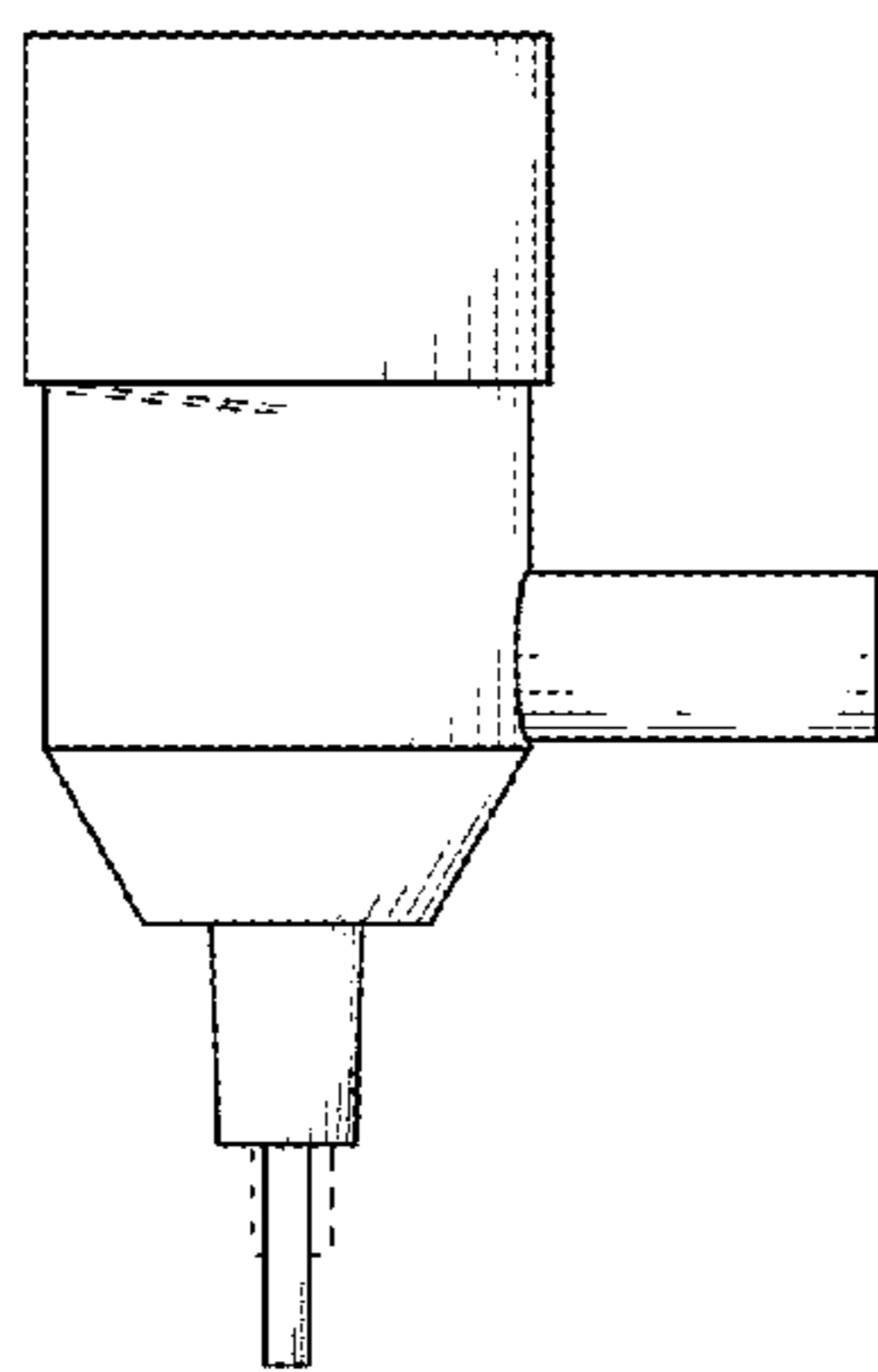


FIG. 4

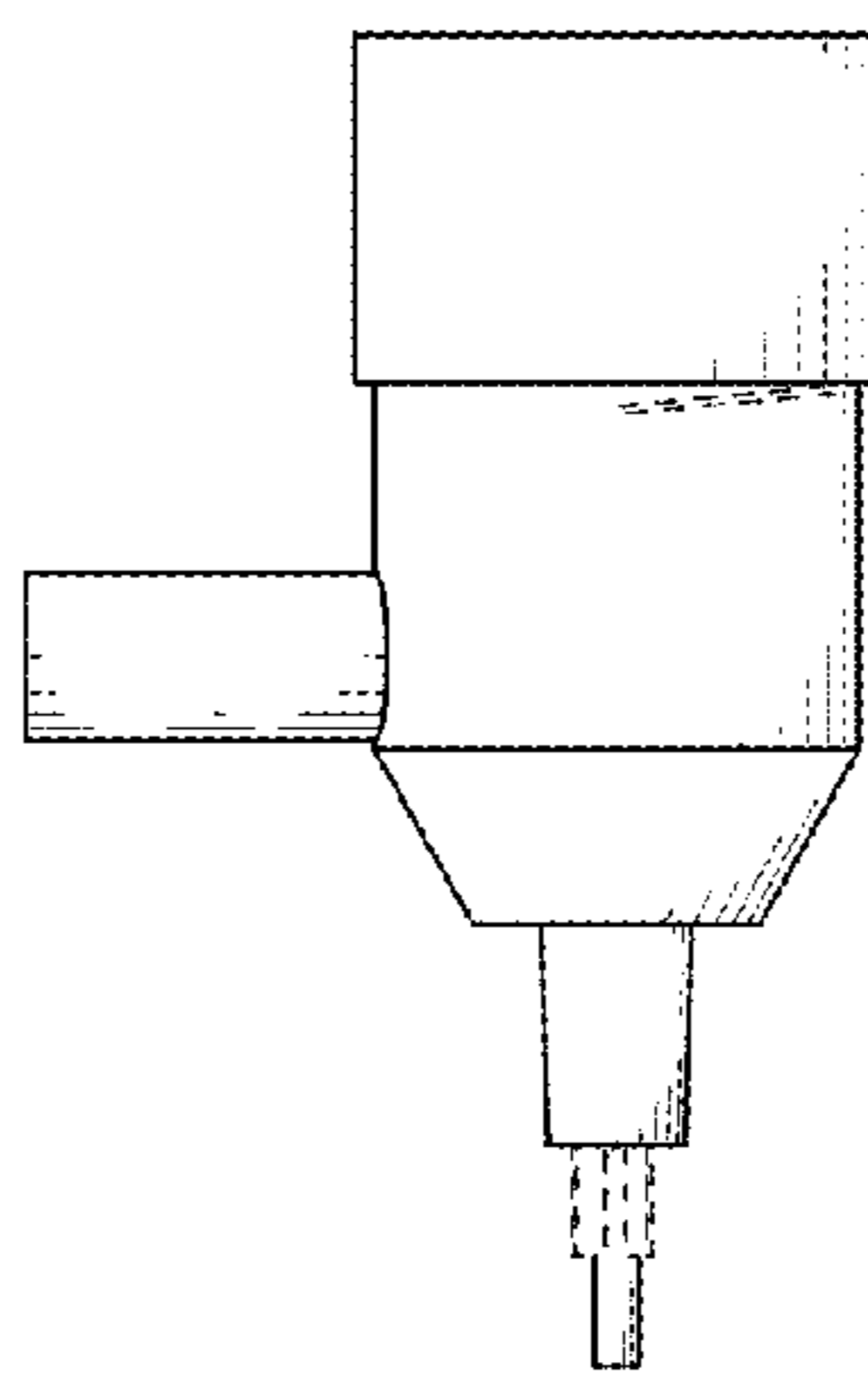


FIG. 5

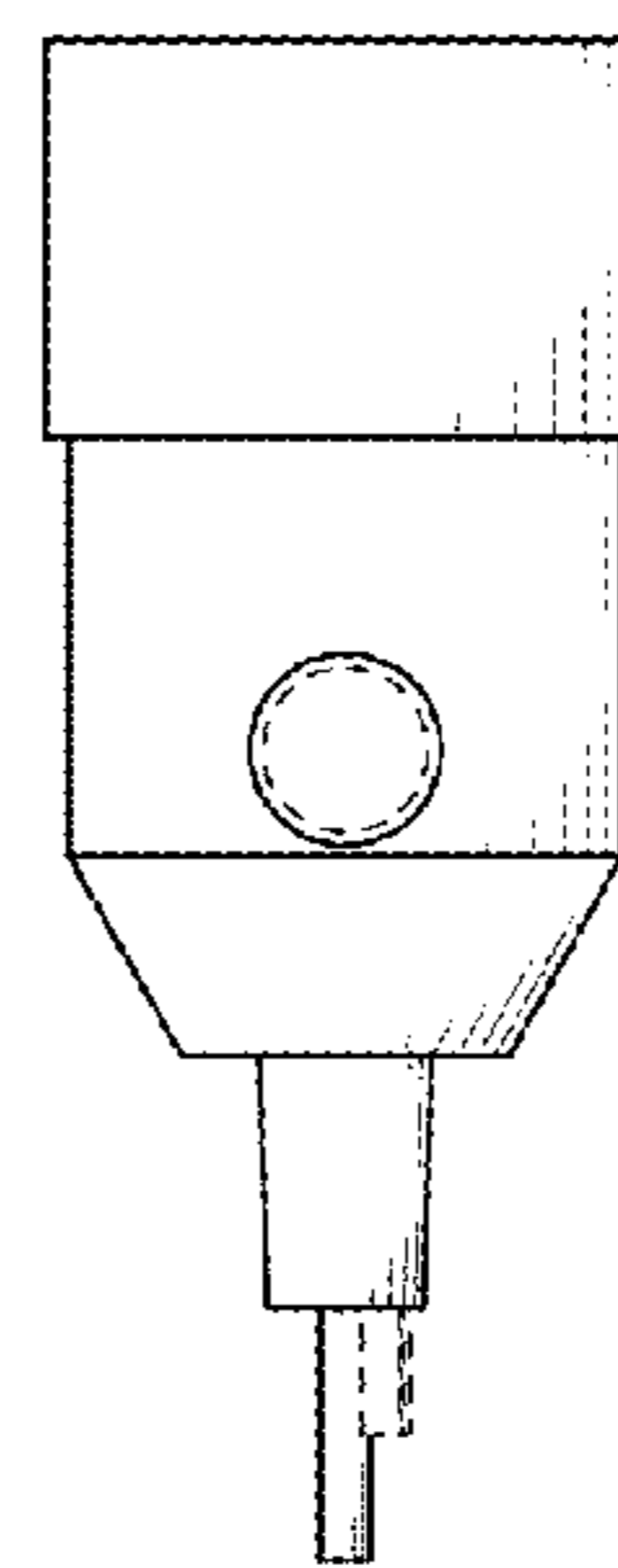


FIG. 6

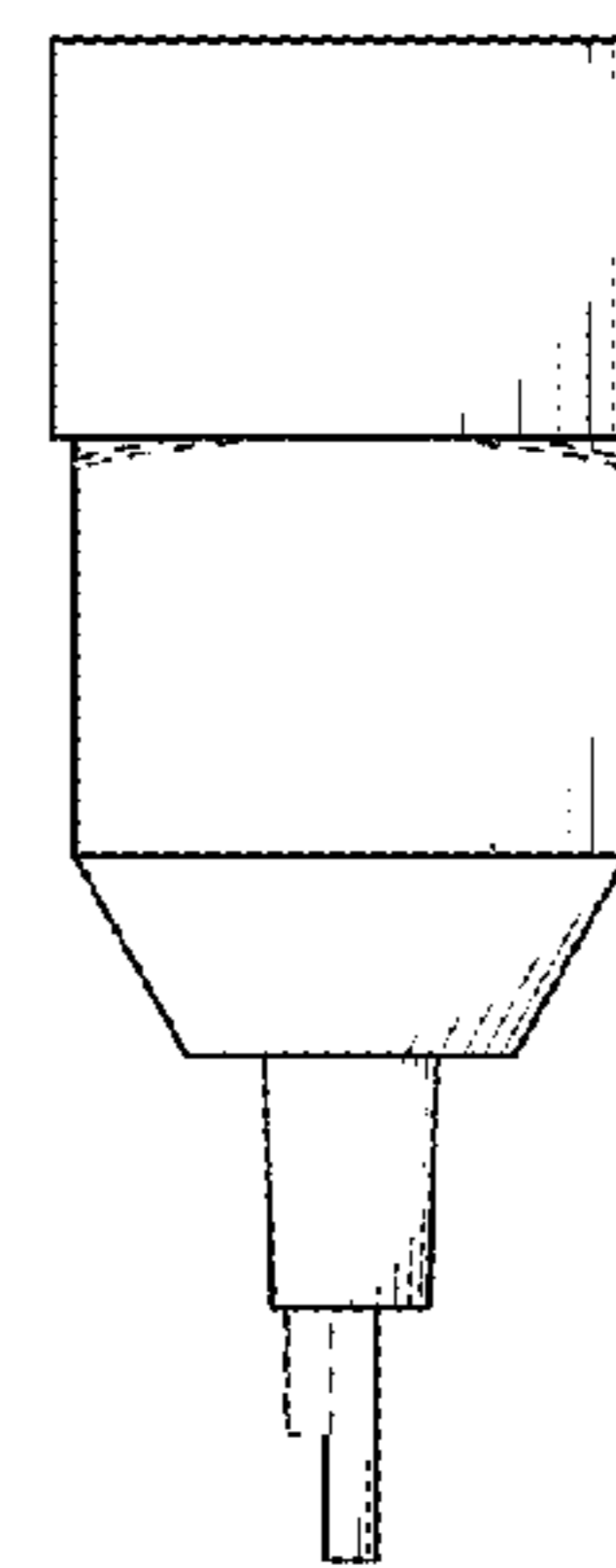


FIG. 7

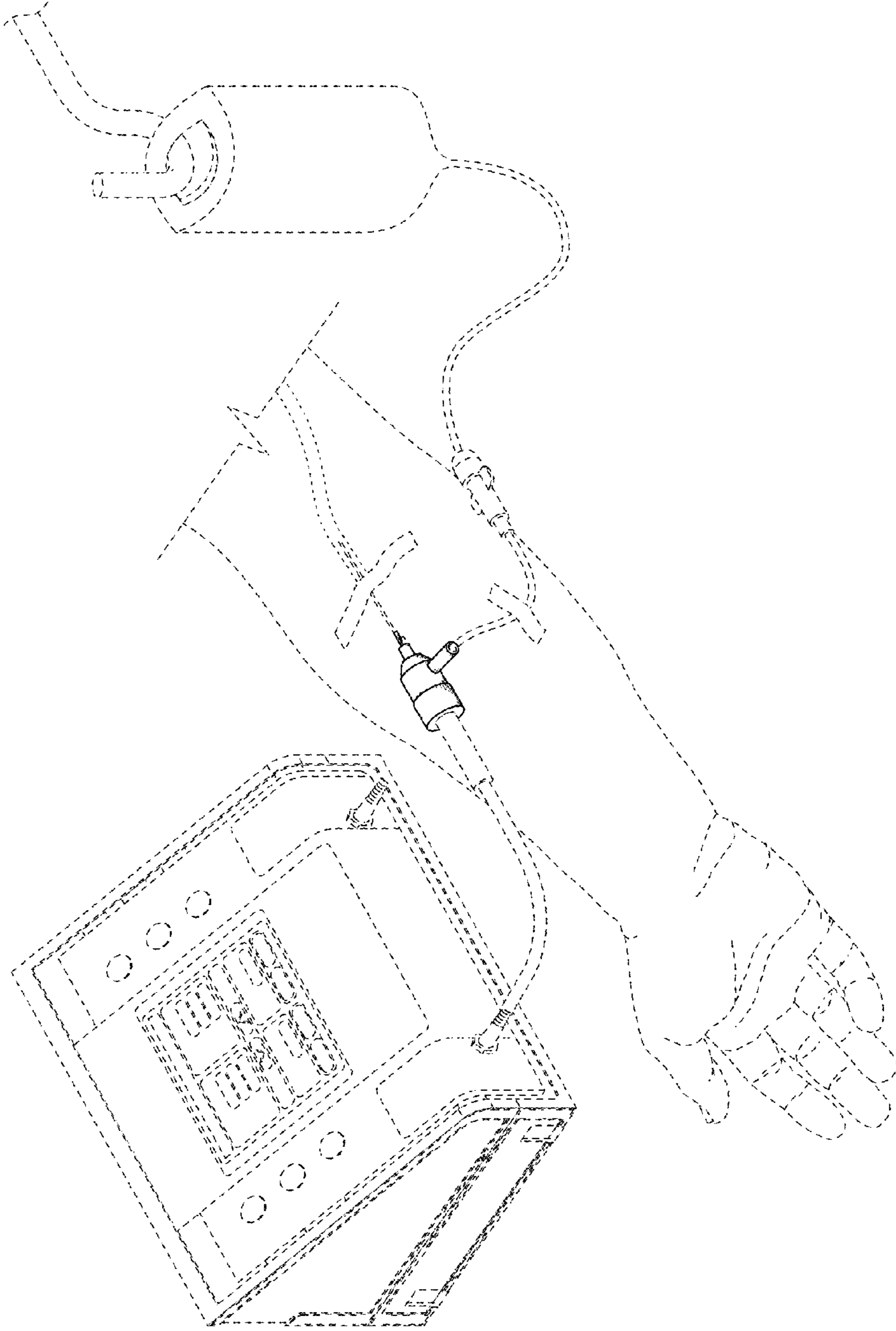


FIG. 8