



US00D733292S

(12) **United States Design Patent**
Rogers

(10) **Patent No.:** **US D733,292 S**
(45) **Date of Patent:** **** Jun. 30, 2015**

(54) **ENERGY GUIDE**

(71) Applicant: **Charles Brian Rogers**, Dunedin, FL
(US)

(72) Inventor: **Charles Brian Rogers**, Dunedin, FL
(US)

(73) Assignee: **ROCOMP GLOBAL, LLC**, Houston,
TX (US)

(**) Term: **14 Years**

(21) Appl. No.: **29/448,141**

(22) Filed: **Mar. 10, 2013**

(51) **LOC (10) Cl.** **24-01**

(52) **U.S. Cl.**
USPC **D24/129**

(58) **Field of Classification Search**
USPC D24/129, 112–114, 130, 127, 104, 133,
D24/186, 108; 606/181, 185; 604/264, 272,
604/115, 164.01–164.09, 533, 232, 187,
604/168.01, 192, 19, 48, 93.01, 523, 524,
604/526; 600/101, 139, 143; 601/67;
128/200.24, 207.14, 207.15
CPC A61M 25/00; A61M 25/0014; A61M
25/0097; A61M 25/0026
See application file for complete search history.

(56) **References Cited**

U.S. PATENT DOCUMENTS

D363,541 S * 10/1995 Cottone et al. D24/129
D395,502 S * 6/1998 Deily et al. D24/112
D408,530 S * 4/1999 Eliassen et al. D24/112

D472,630 S * 4/2003 Douglas et al. D24/129
D473,647 S * 4/2003 Francavilla et al. D24/129
D474,839 S * 5/2003 Francavilla et al. D24/129
D493,526 S * 7/2004 Hwang D24/130
D495,050 S * 8/2004 Guala D24/129
D638,537 S * 5/2011 Virr et al. D24/129
D652,939 S * 1/2012 Palizza et al. D24/200
D673,673 S * 1/2013 Wang D24/129
D690,418 S * 9/2013 Rosenquist D24/129
2006/0219736 A1 * 10/2006 Revenu 222/129

* cited by examiner

Primary Examiner — David Muller

Assistant Examiner — Nathan Johnston

(74) *Attorney, Agent, or Firm* — The Compton Law Firm,
P.C.; Scott D. Compton

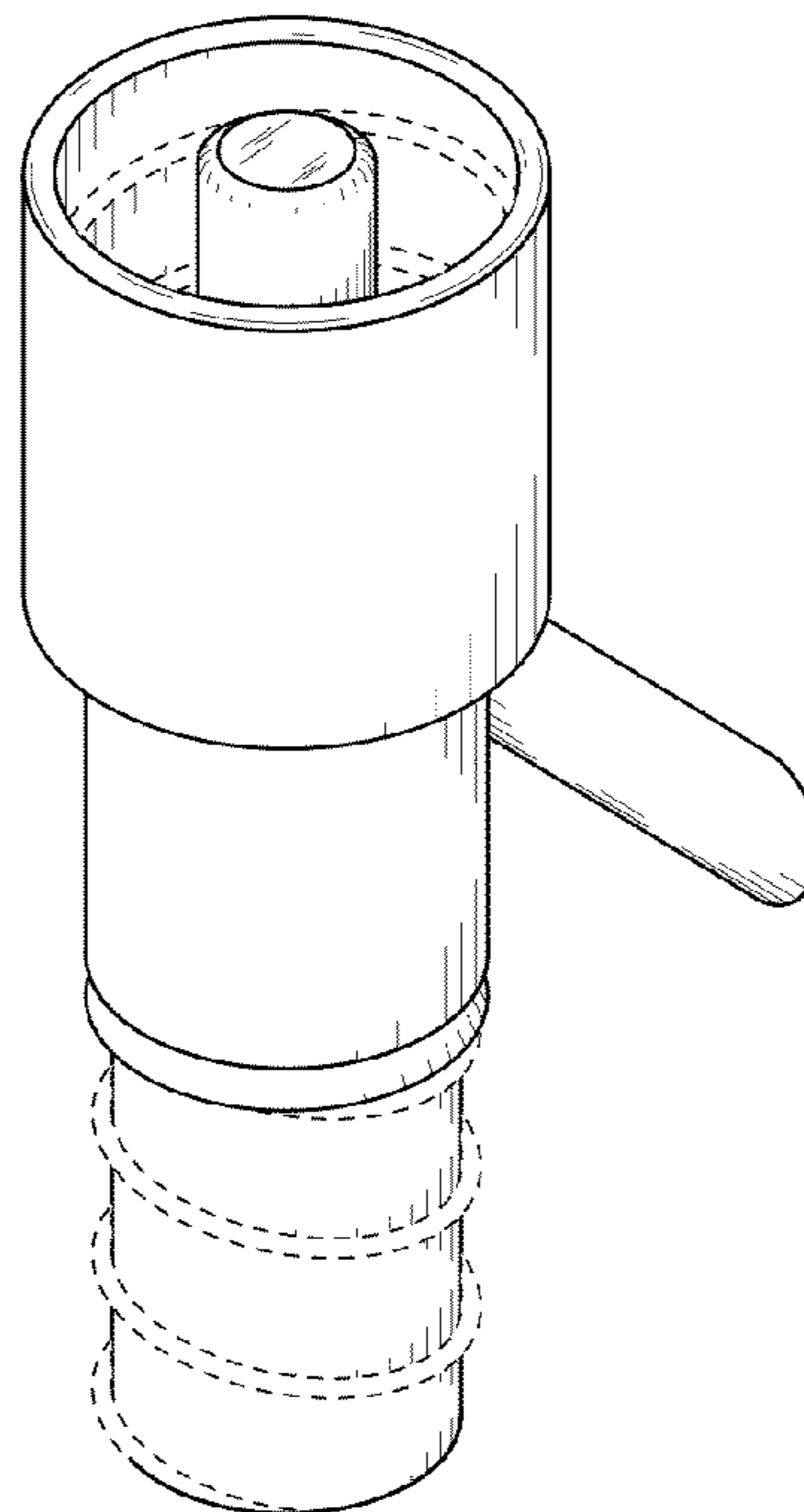
(57) **CLAIM**

The ornamental design for an energy guide, as shown and described.

DESCRIPTION

FIG. 1 is a perspective view of an energy guide showing my new design;
FIG. 2 is a top plan view thereof;
FIG. 3 is a bottom plan view thereof;
FIG. 4 is a right side elevation view thereof;
FIG. 5 is a left side elevation view thereof;
FIG. 6 is a front elevation view thereof;
FIG. 7 is a back elevation view thereof; and,
FIG. 8 is an environmental perspective view thereof.
The broken lines are shown for environmental purposes only and form no part of the claim.

1 Claim, 2 Drawing Sheets



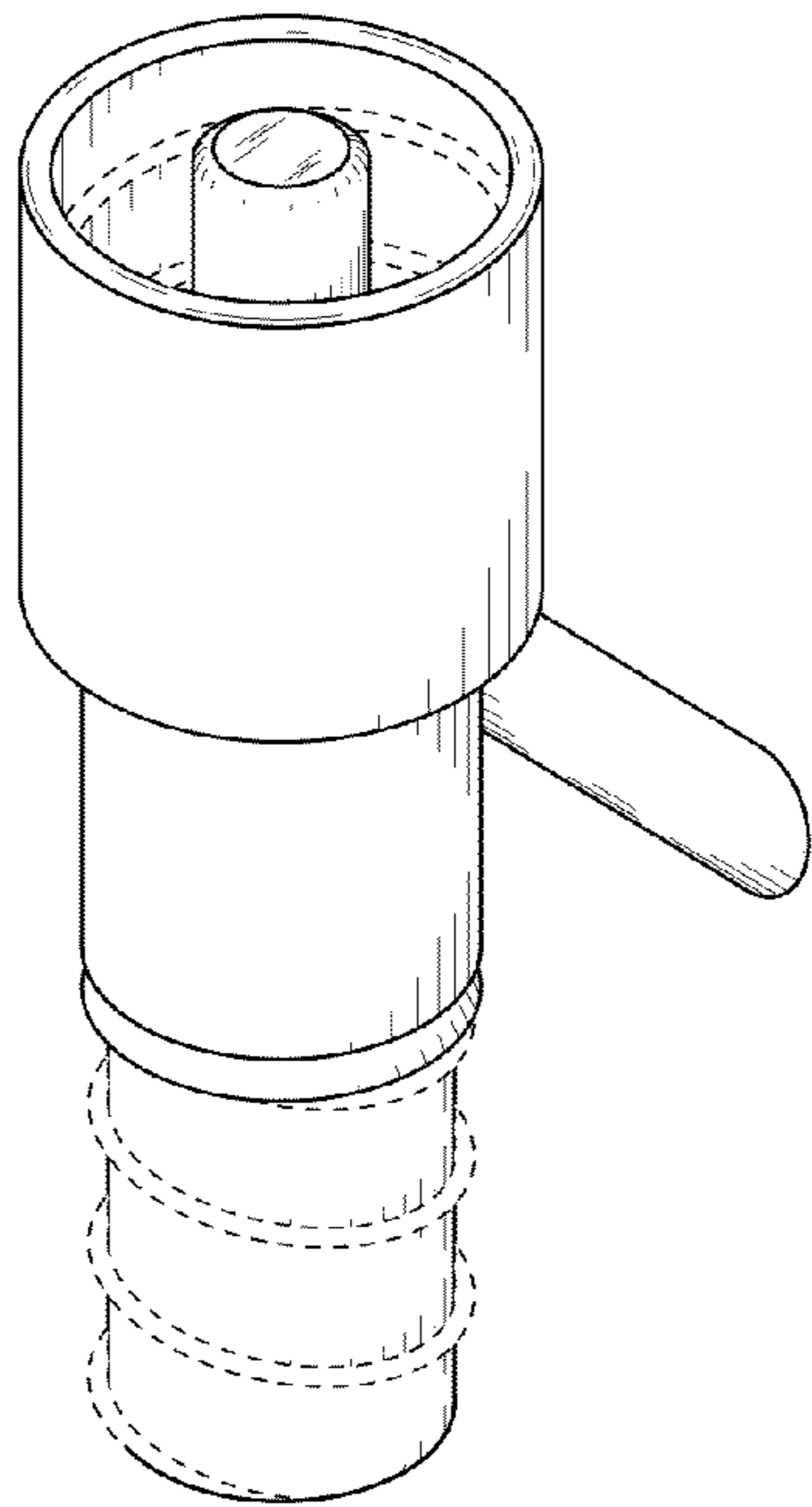


FIG. 1

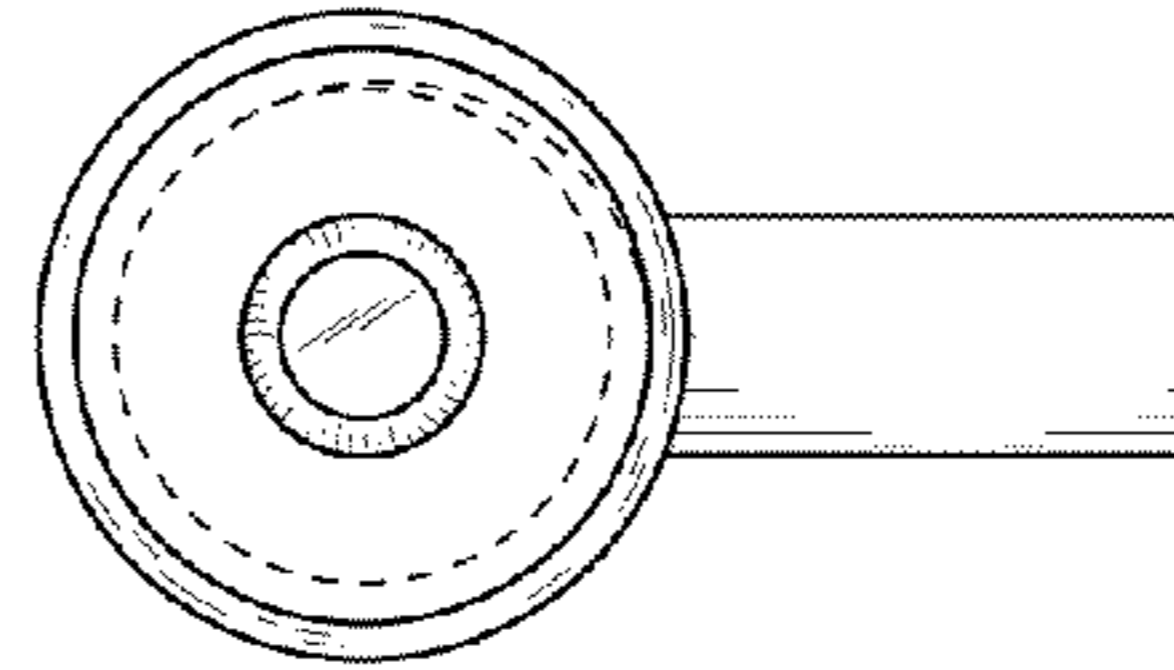


FIG. 2

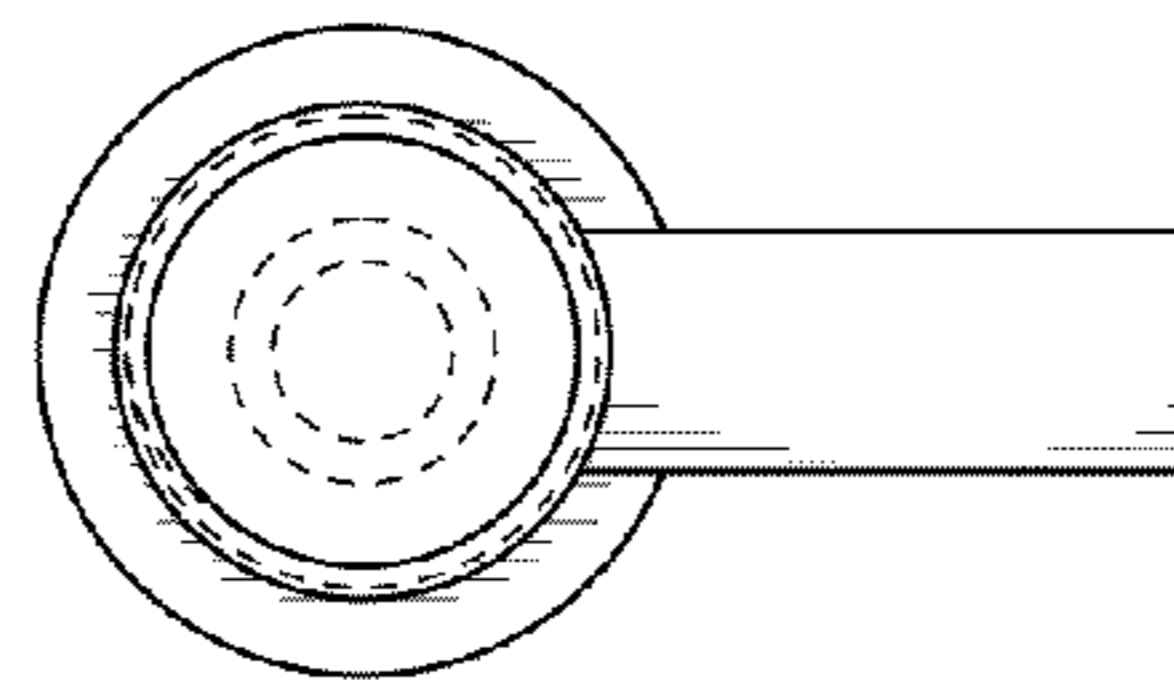


FIG. 3

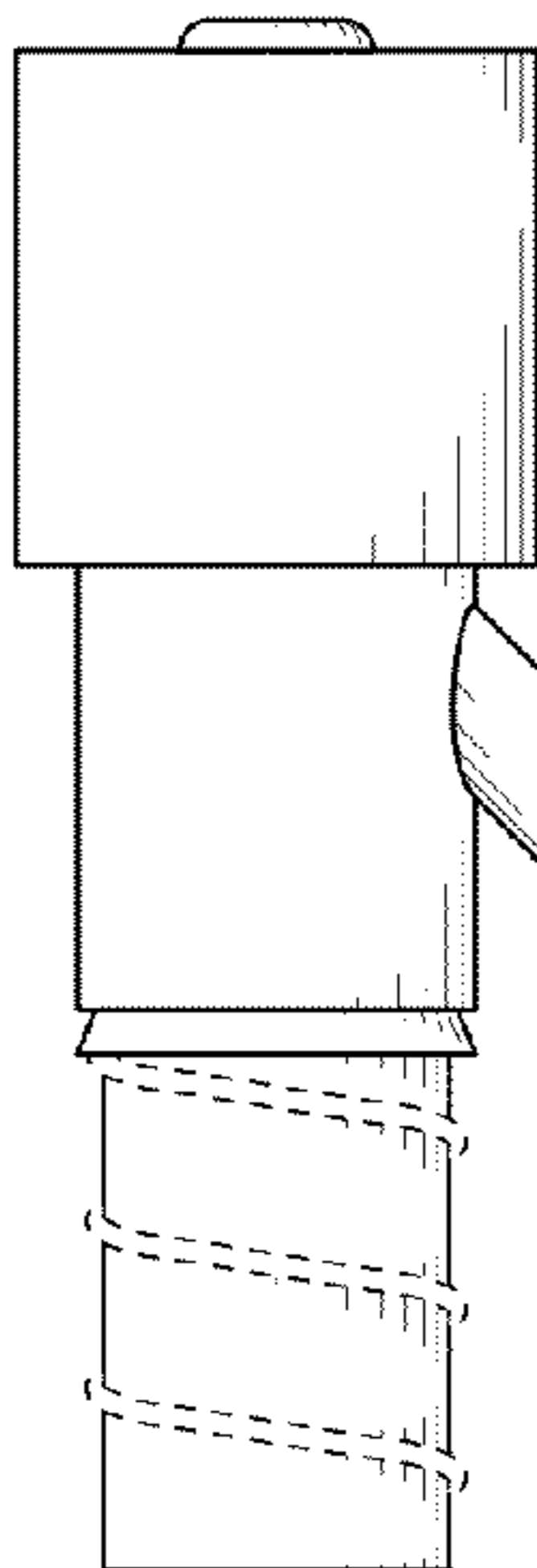


FIG. 4

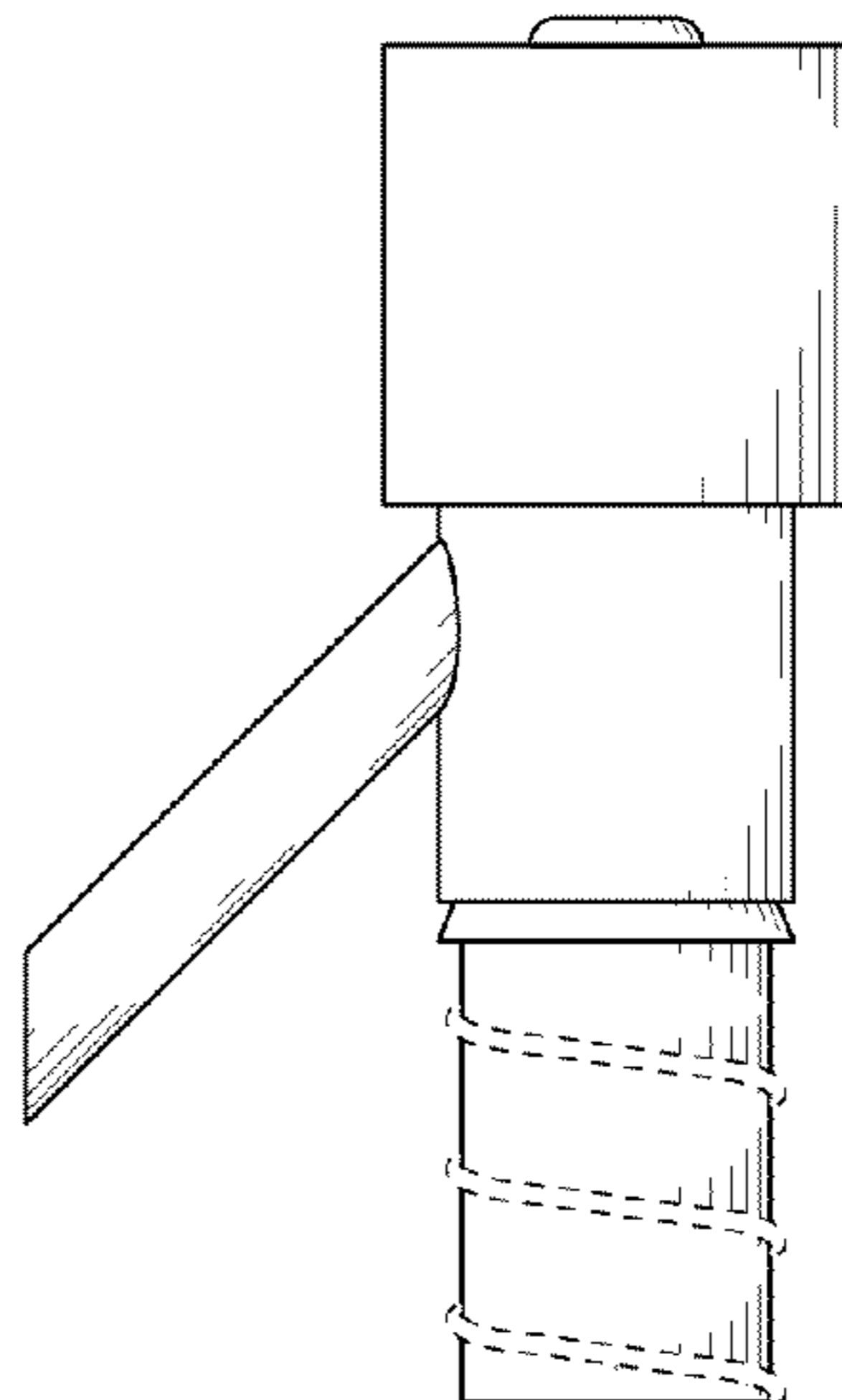


FIG. 5

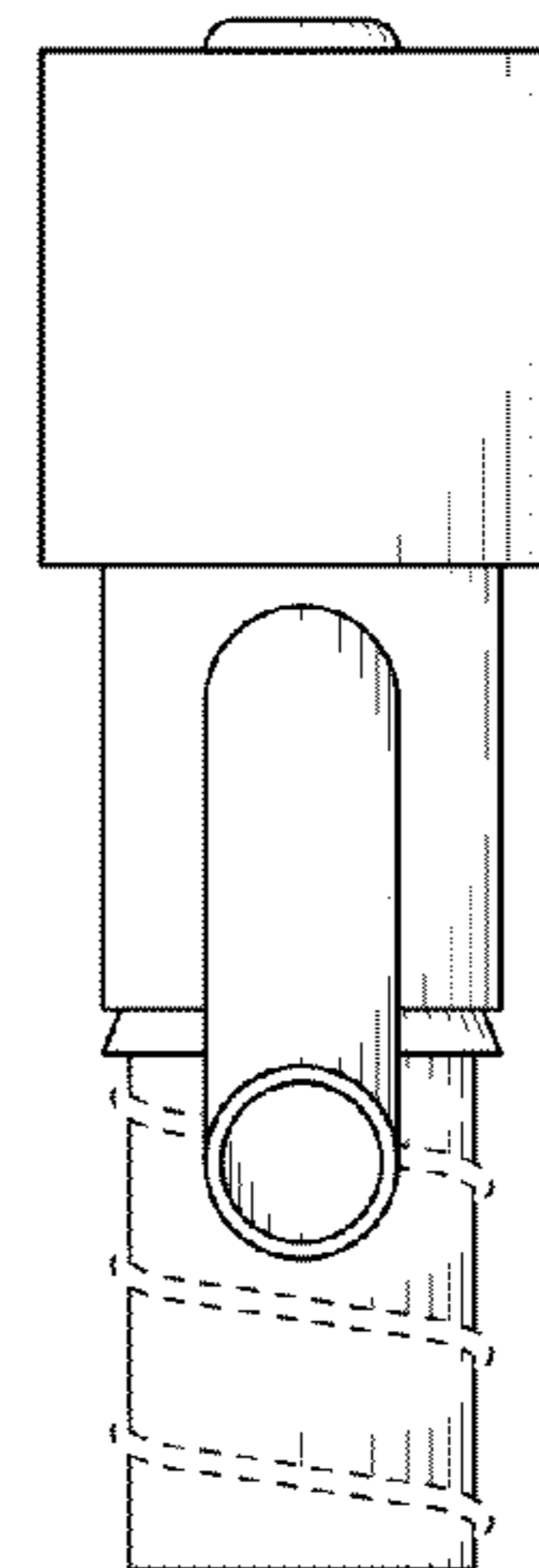


FIG. 6

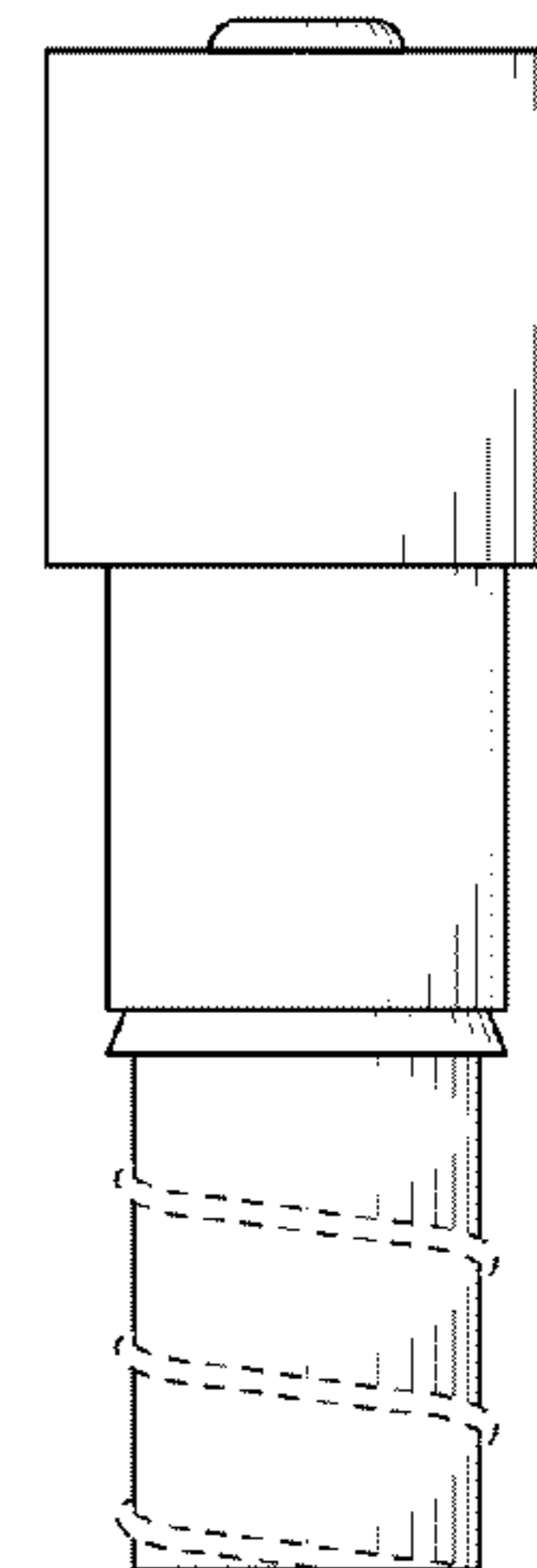


FIG. 7

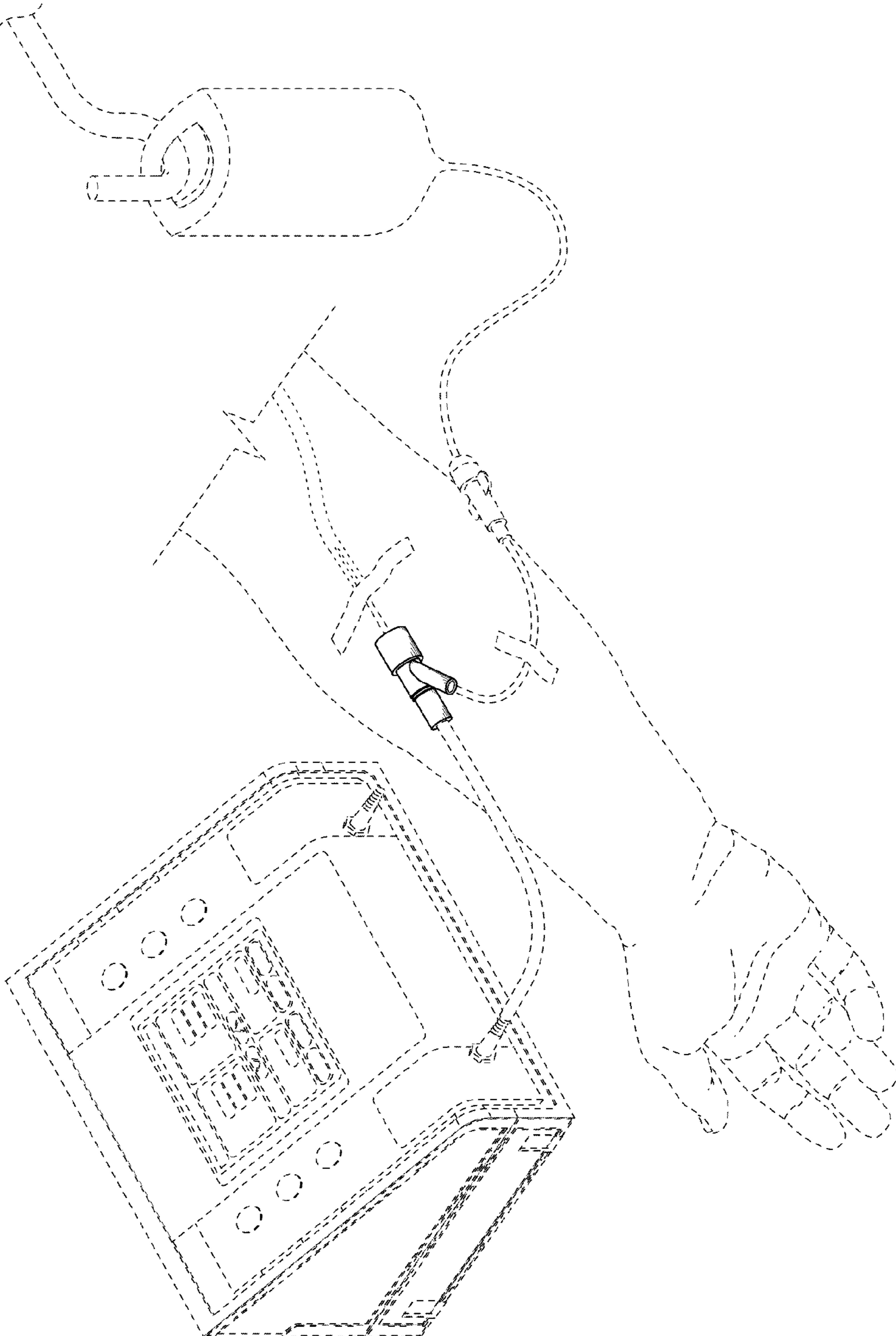


FIG. 8