



US00D733291S

(12) **United States Design Patent**
Wang

(10) **Patent No.:** **US D733,291 S**

(45) **Date of Patent:** **** Jun. 30, 2015**

(54) **DEPRESSIBLE PLUG FOR VIAL**

(71) Applicant: **Hsien-Tsung Wang**, Taipei (TW)

(72) Inventor: **Hsien-Tsung Wang**, Taipei (TW)

(**) Term: **14 Years**

(21) Appl. No.: **29/443,216**

(22) Filed: **Jan. 15, 2013**

(51) **LOC (10) Cl.** **24-02**

(52) **U.S. Cl.**
USPC **D24/129**

(58) **Field of Classification Search**

USPC D24/127-131, 112-114, 133, 186;
606/181, 185; 600/264, 272, 115, 232,
600/187, 158, 164.08, 192, 263, 163, 181,
600/184, 198, 227; 128/101, 139, 143
See application file for complete search history.

(56) **References Cited**

U.S. PATENT DOCUMENTS

D254,832 S *	4/1980	Zappa	D7/691
D318,350 S *	7/1991	Muffuletto	D32/35
D362,718 S *	9/1995	Deily et al.	D24/129
D422,462 S *	4/2000	Rivkin	D7/691
6,485,466 B2 *	11/2002	Hamilton	604/158
D603,113 S *	10/2009	Morton	D30/162
D625,805 S *	10/2010	Hereford	D24/140
D655,411 S *	3/2012	Schroeder et al.	D24/129
D675,070 S *	1/2013	Rockwell	D7/691
2005/0264016 A1 *	12/2005	Davis	294/1.3
2008/0033371 A1 *	2/2008	Updegraff et al.	604/263
2009/0084377 A1 *	4/2009	Hajgato	128/200.26
2014/0265399 A1 *	9/2014	Young et al.	294/179

* cited by examiner

Primary Examiner — David Muller
Assistant Examiner — Nathan Johnston

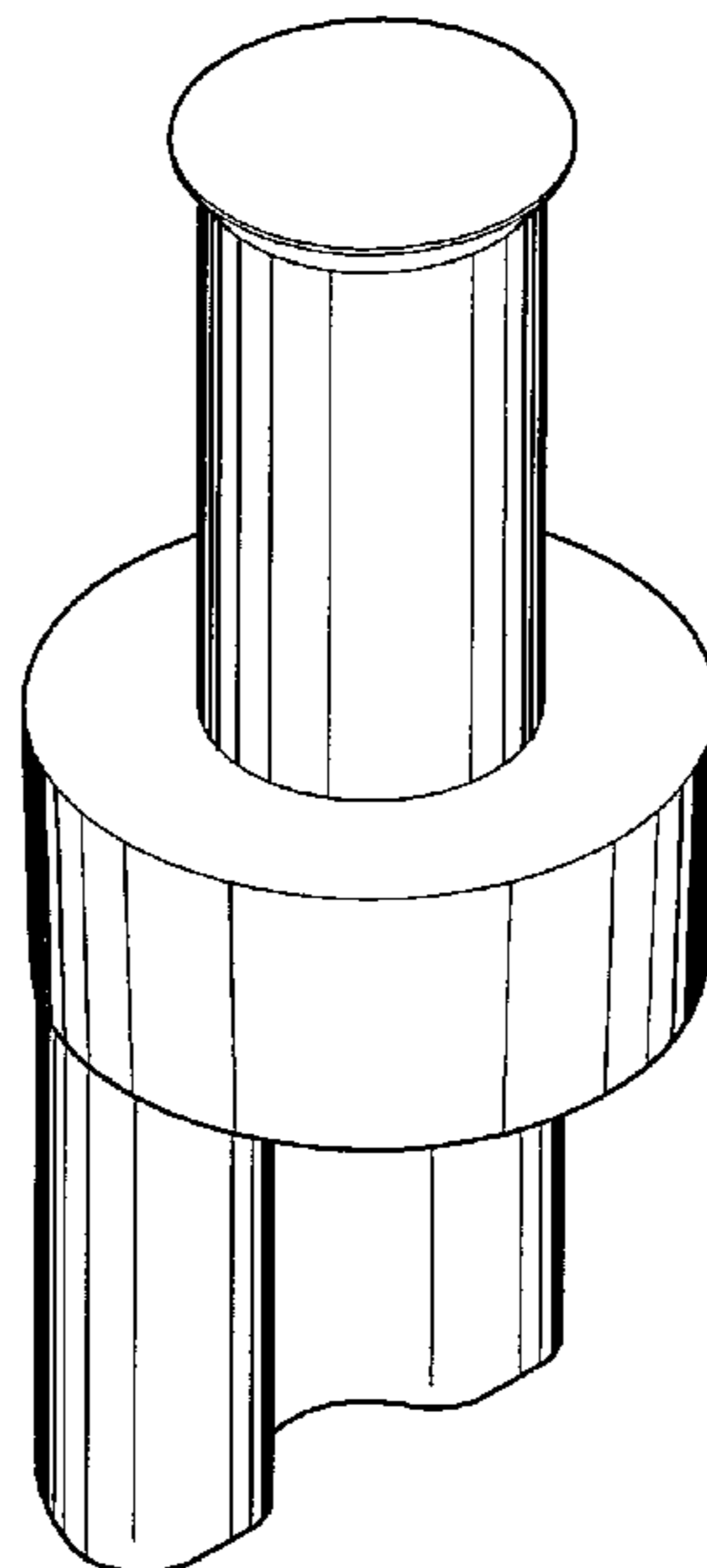
(57) **CLAIM**

The ornamental design for a depressible plug for vial, as shown and described.

DESCRIPTION

FIG. 1 is a perspective view showing my new design for a depressible plug for vial;
 FIG. 2 is a front elevation view thereof;
 FIG. 3 is a rear elevation view thereof;
 FIG. 4 is a left side elevation view thereof;
 FIG. 5 is a right side elevation view thereof;
 FIG. 6 is a top plan view thereof;
 FIG. 7 is a bottom plan view thereof;
 FIG. 8 is a perspective view showing the depressible plug for vial in upside down position;
 FIG. 9 is a perspective view showing the depressible plug for vial in cross-sectional view;
 FIG. 10 is a perspective view showing the depressible plug for vial in ready use inside the Y-connector for an intravenous (IV) fluid flow control device, the Y-connector being shown in broken lines;
 FIG. 11 is a cross-sectional view showing the depressible plug for vial in ready use inside the Y-connector for an intravenous (IV) fluid flow control device, the Y-connector being shown in broken lines; and,
 FIG. 12 is a cross-sectional view showing the depressible plug for vial in use, the depressible plug for vial will be deformed by the compression of the syringe (or the vial), the Y-connector being shown in broken lines.
 The portions of the Y-connector of the intravenous (IV) fluid flow control device and the syringe shown in broken lines form no part of the claimed design.

1 Claim, 9 Drawing Sheets



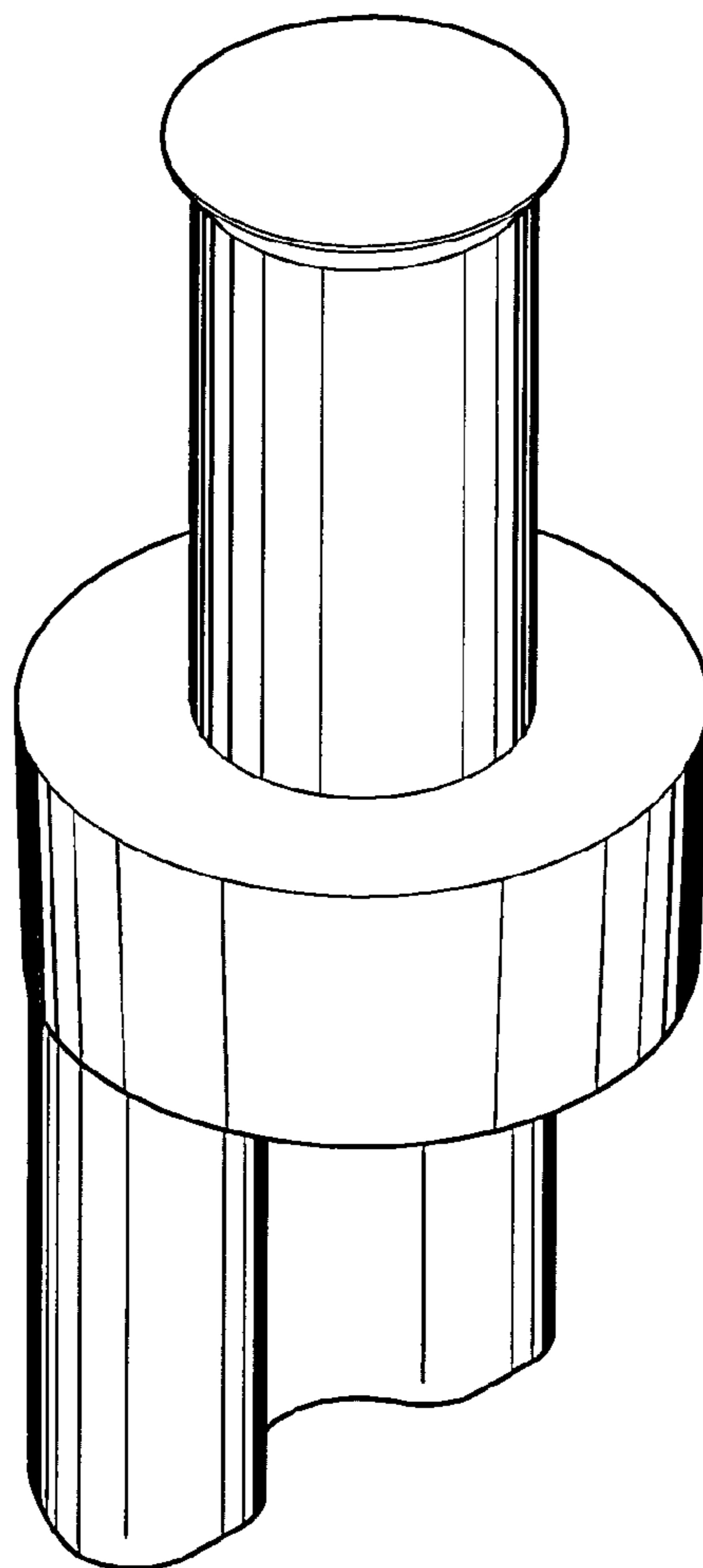


FIG.1

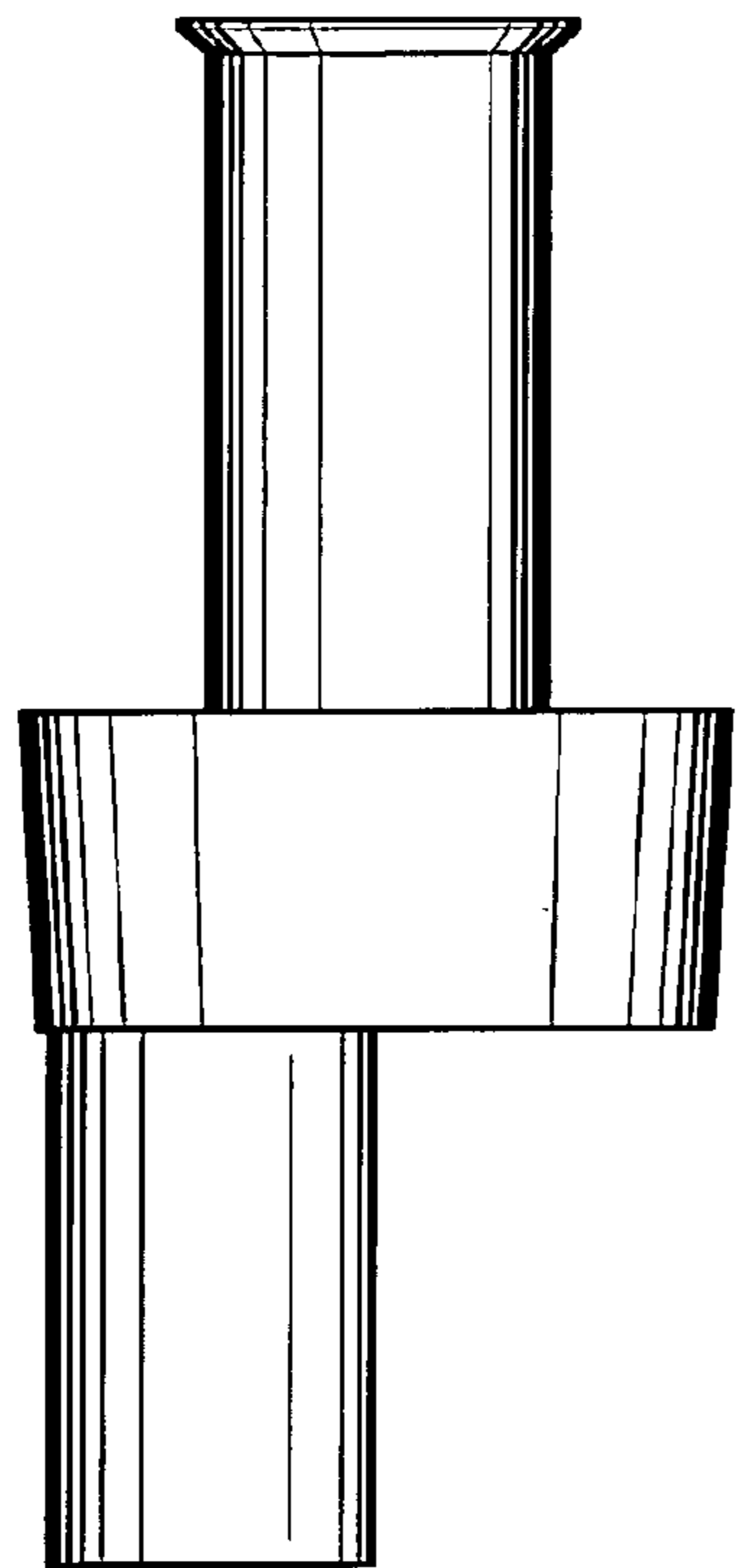


FIG. 2

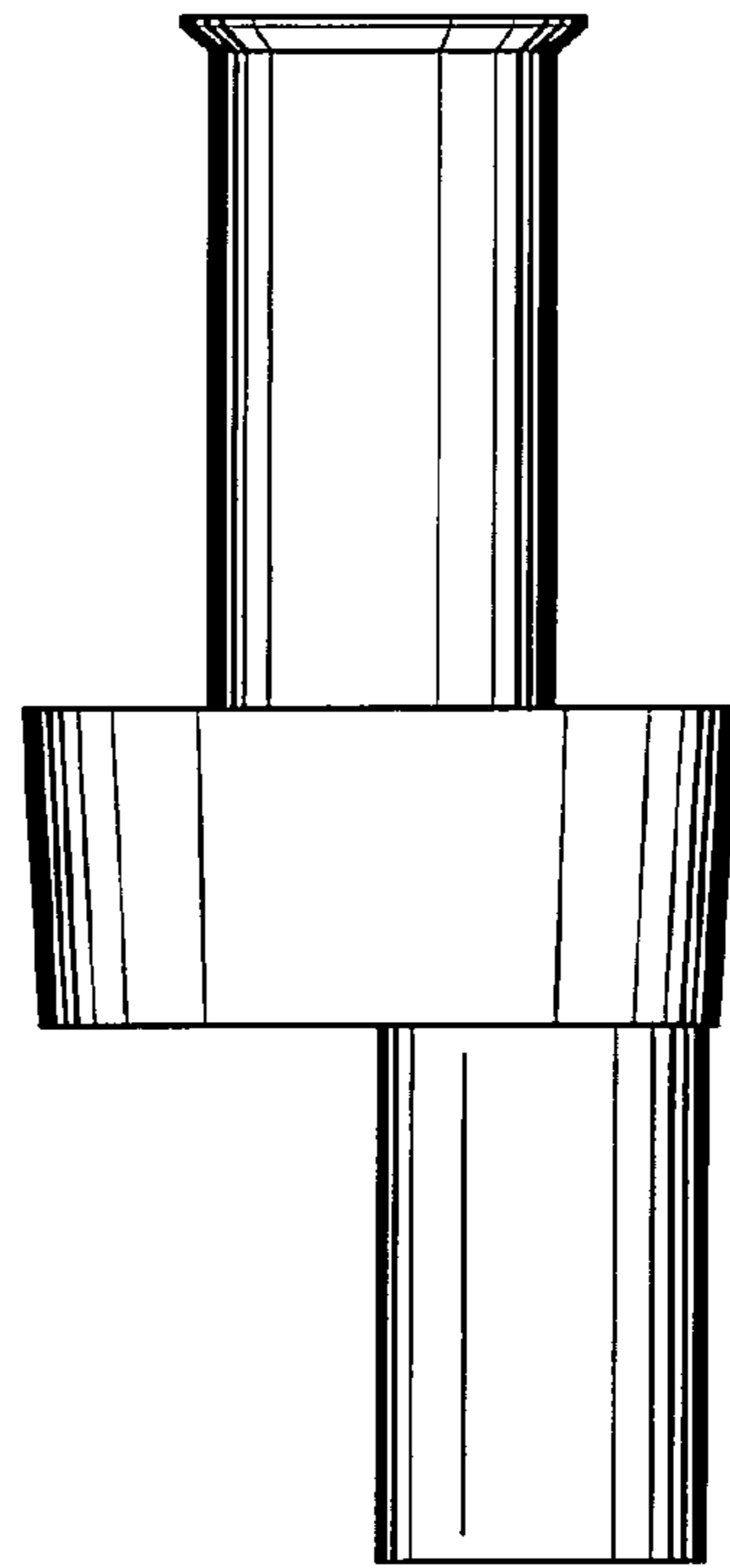


FIG. 3

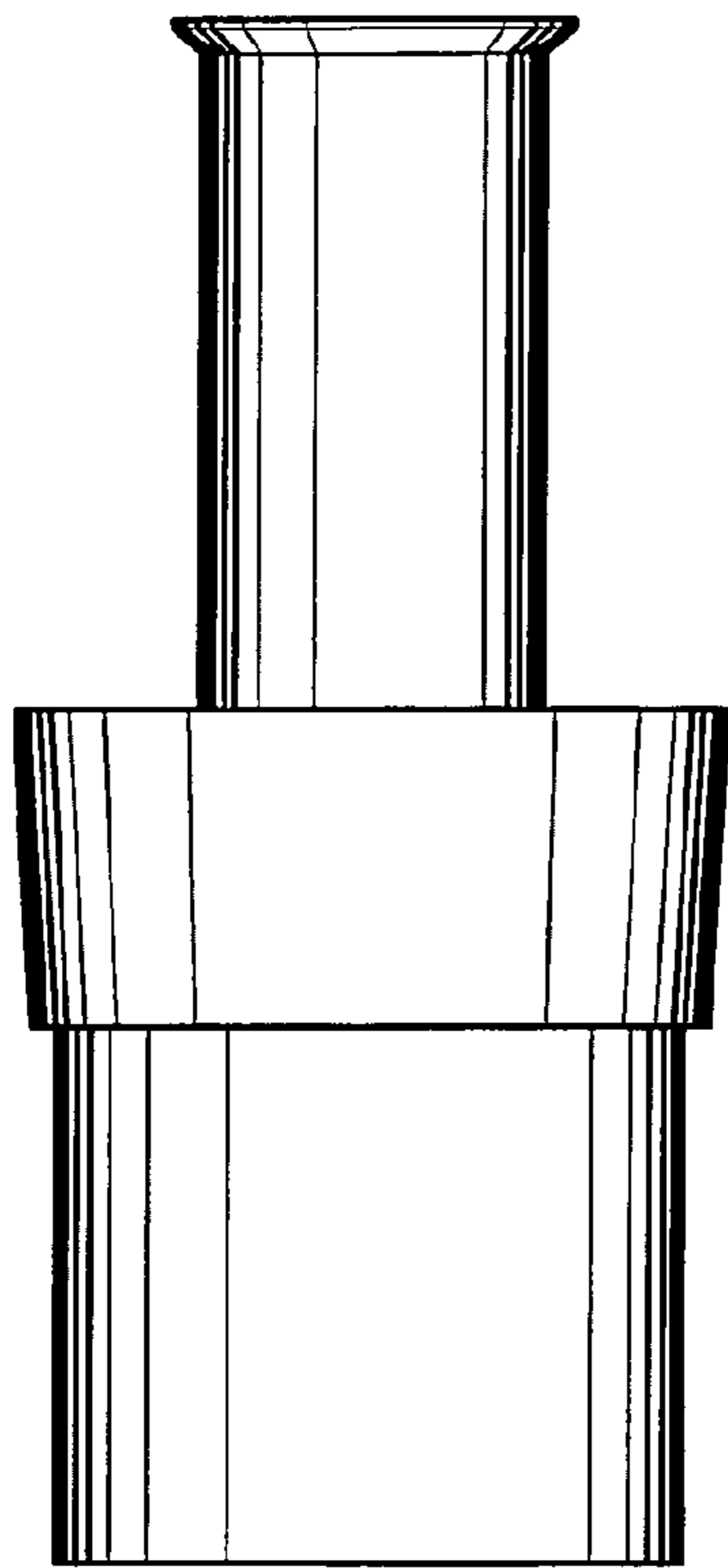


FIG. 4

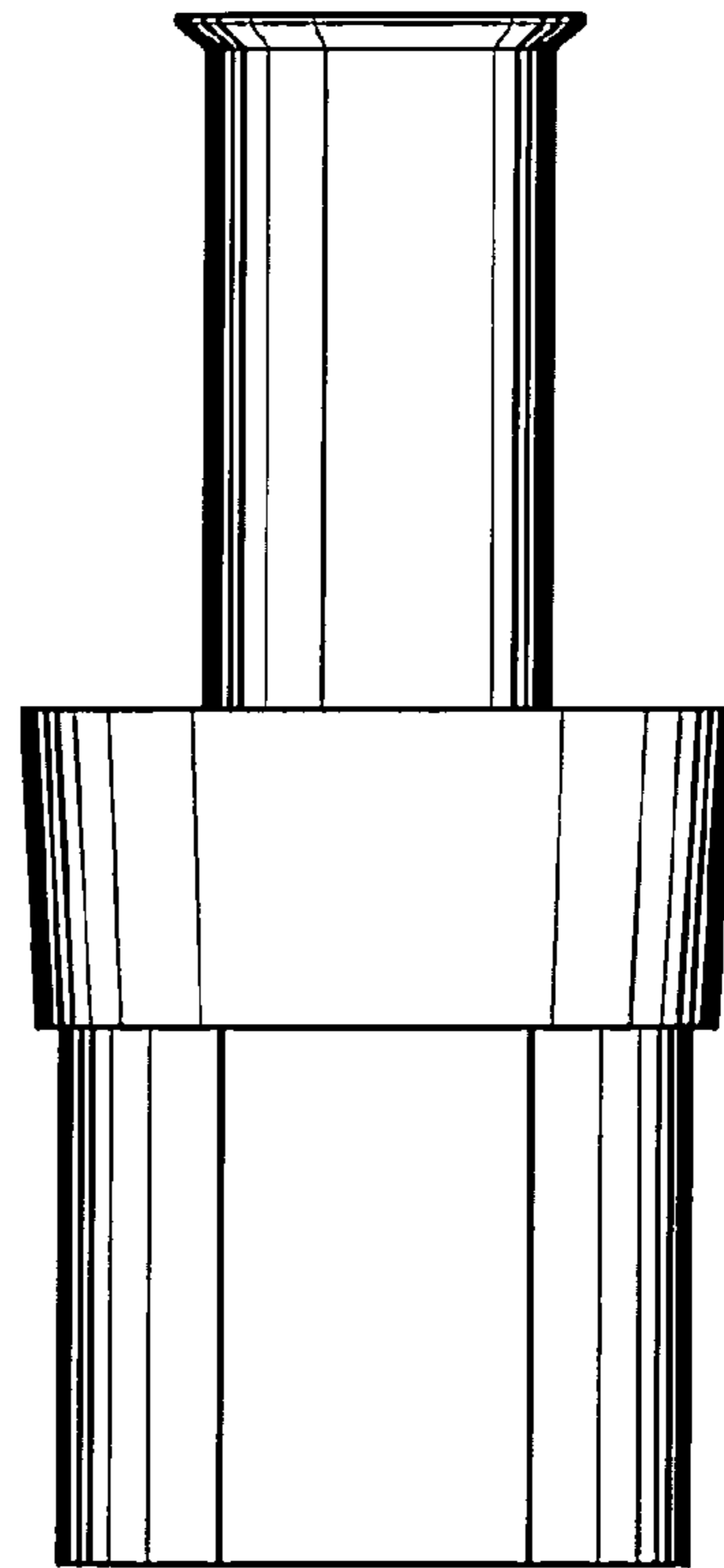


FIG. 5

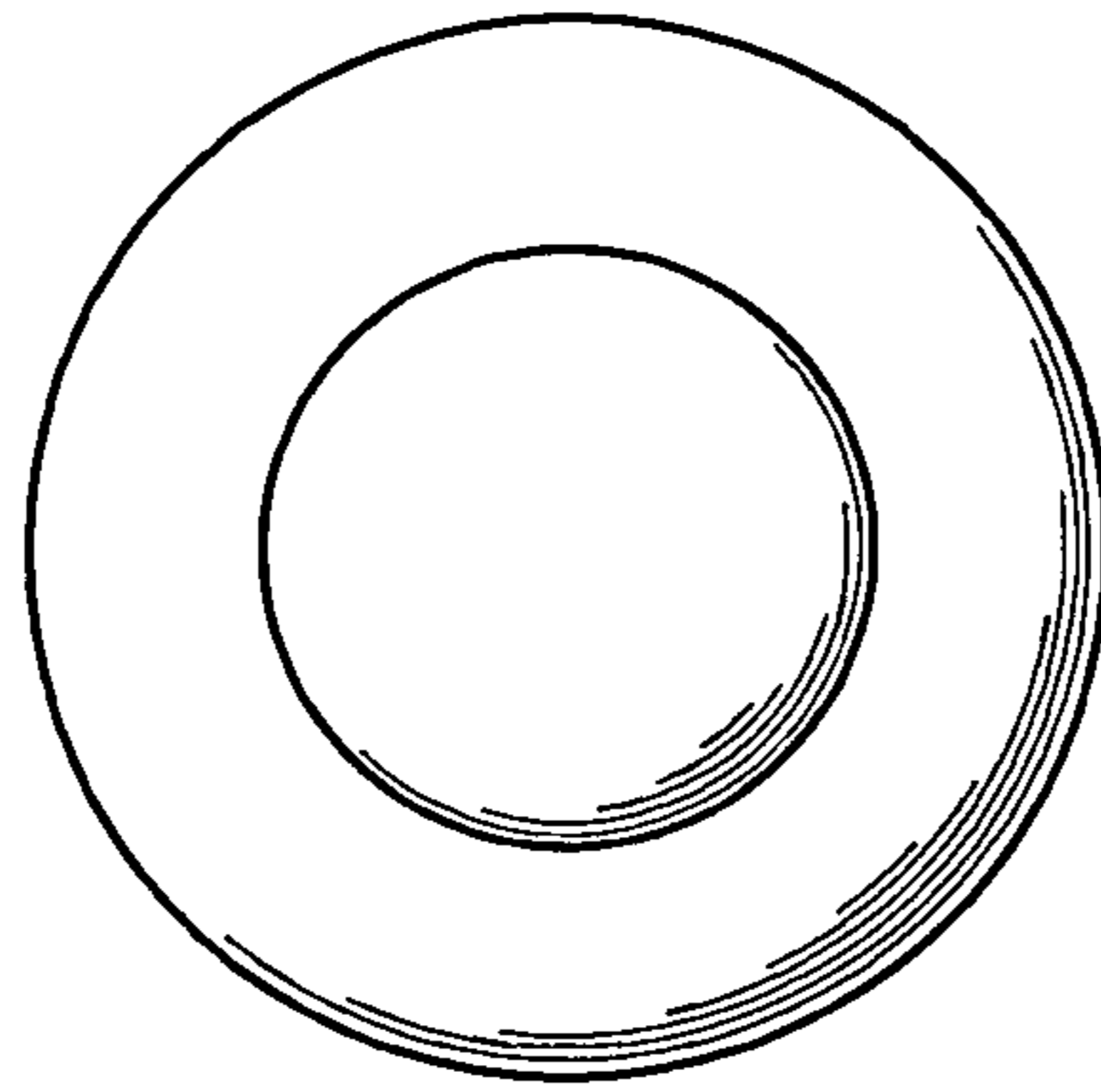


FIG. 6

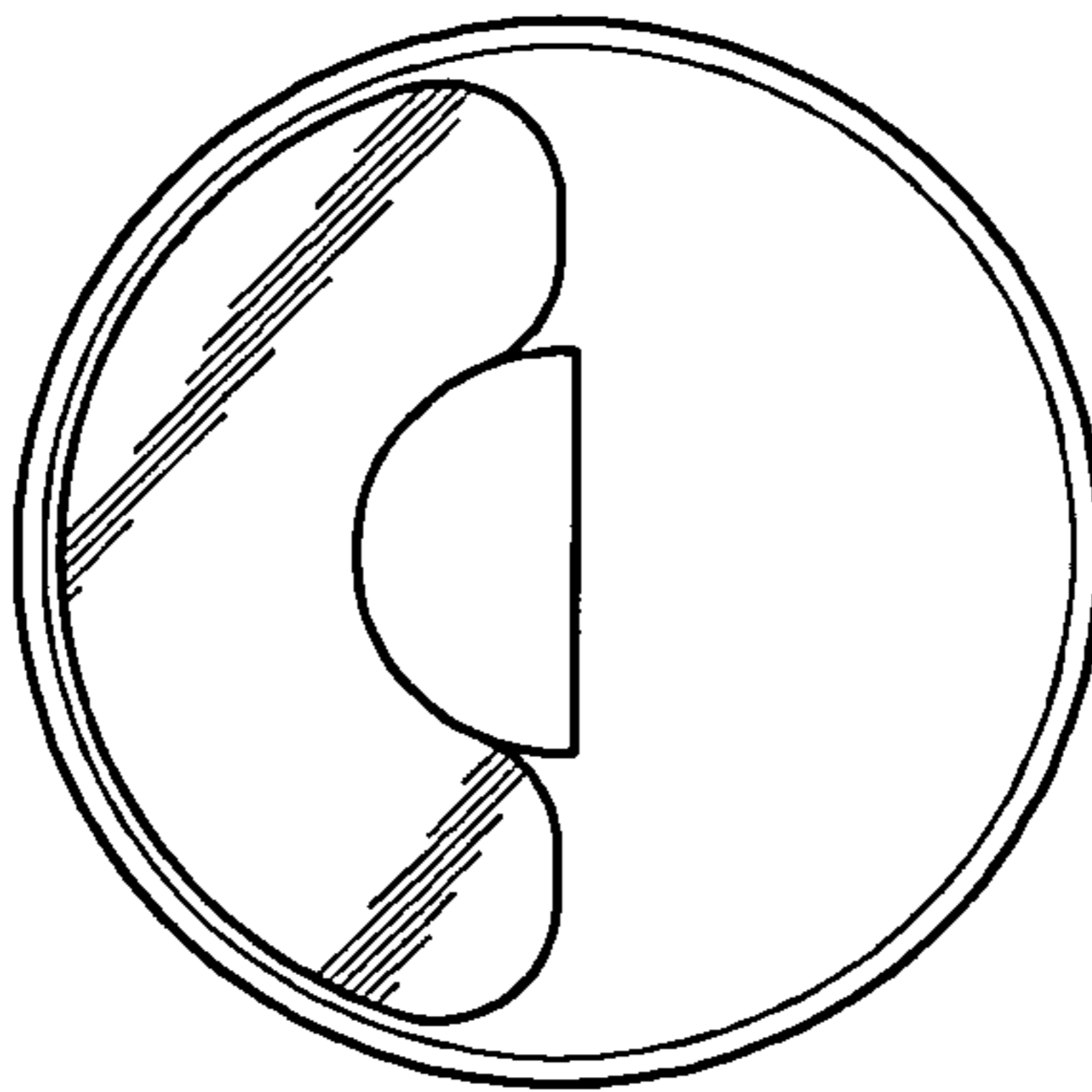


FIG. 7

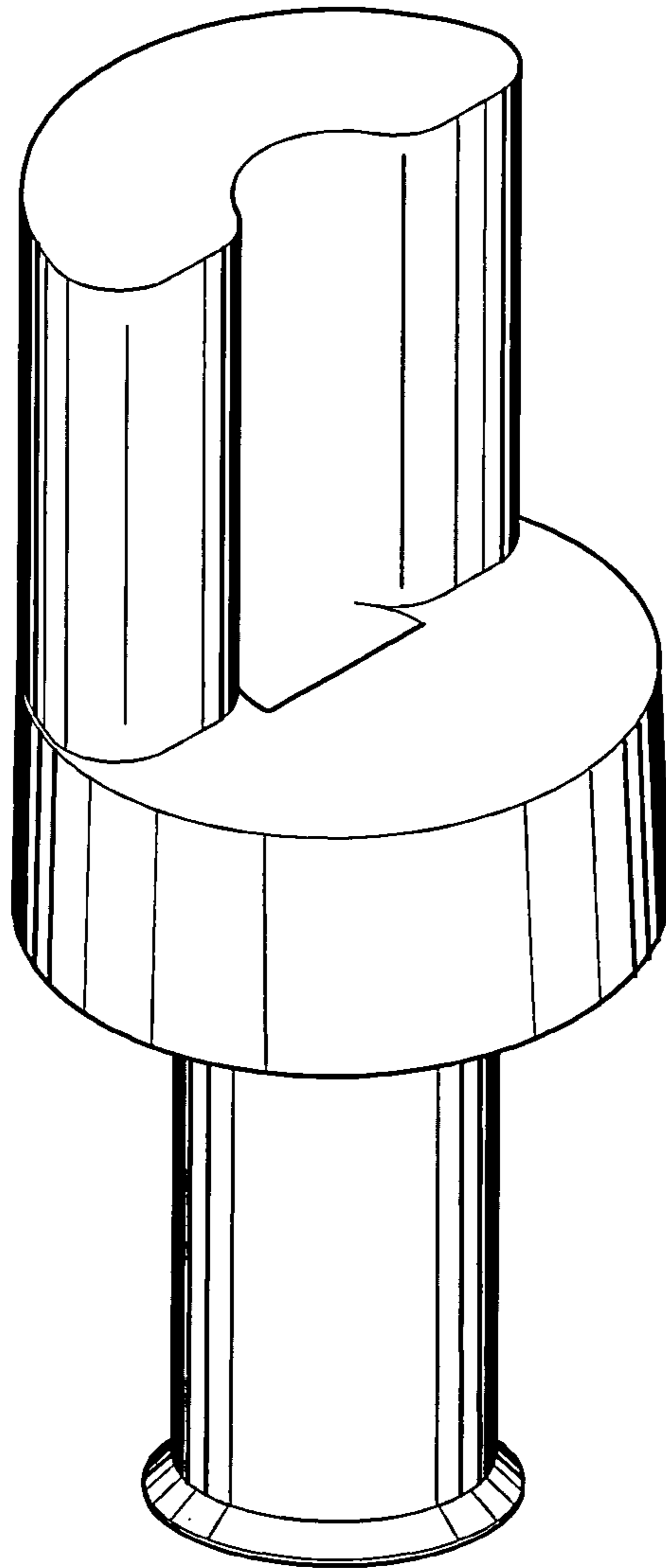


FIG.8

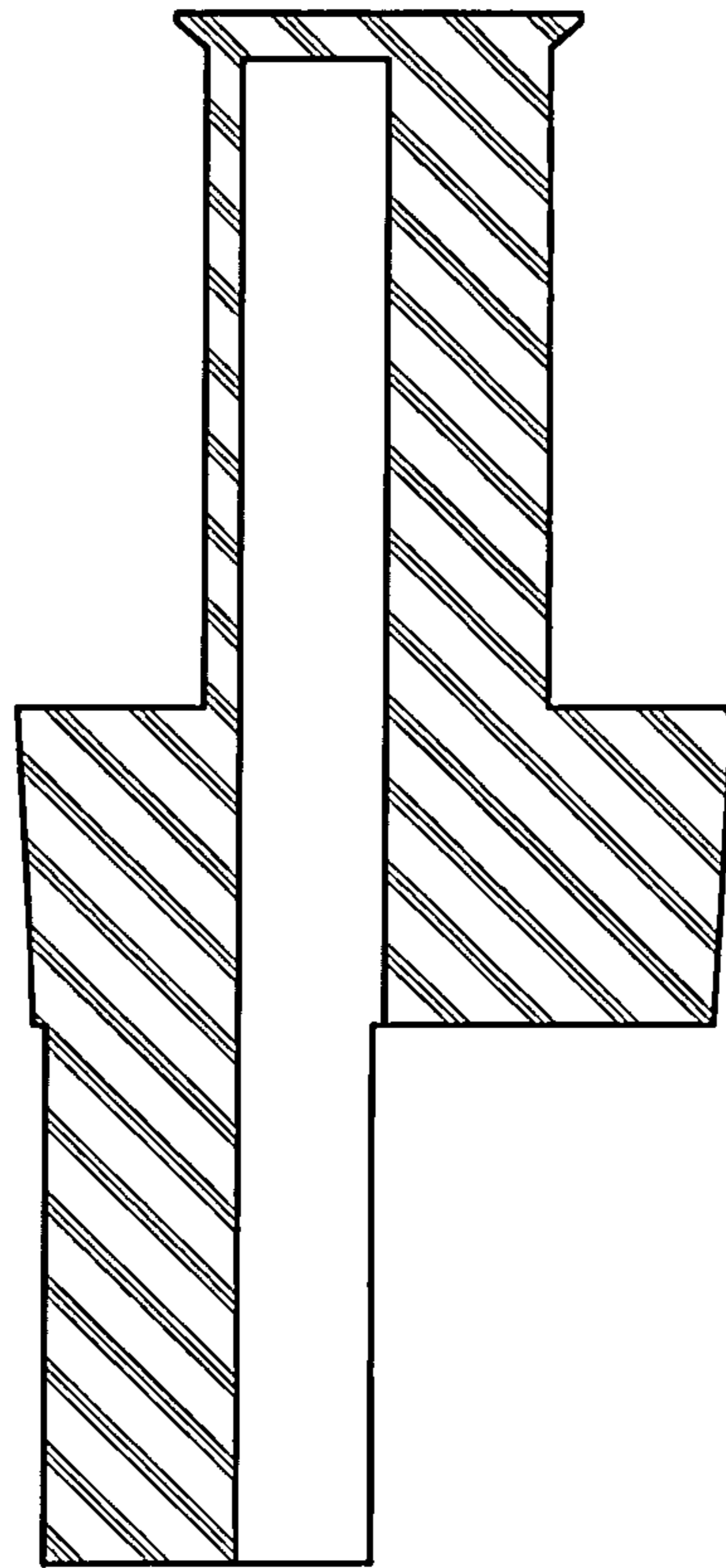


FIG.9

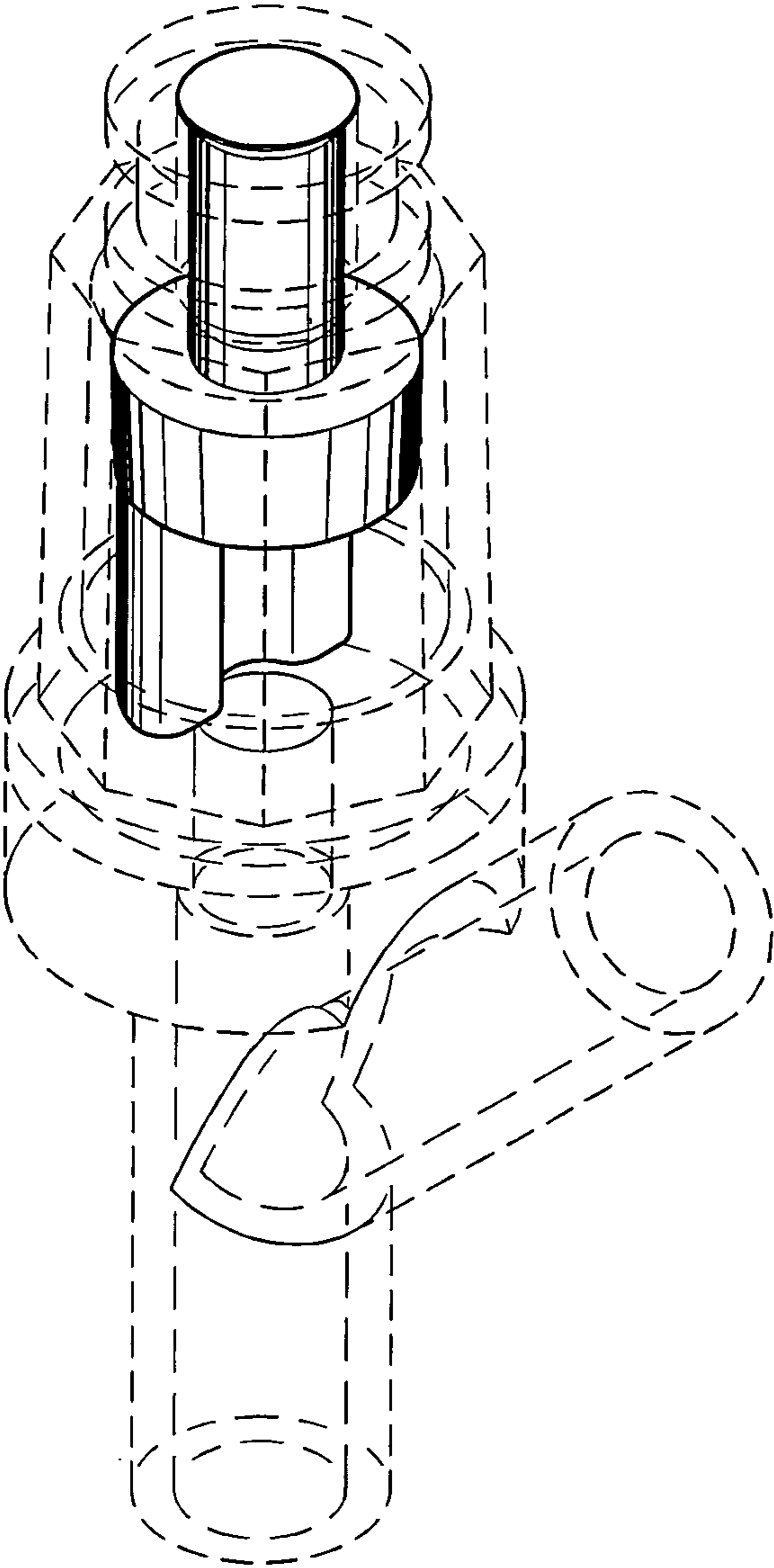


FIG.10

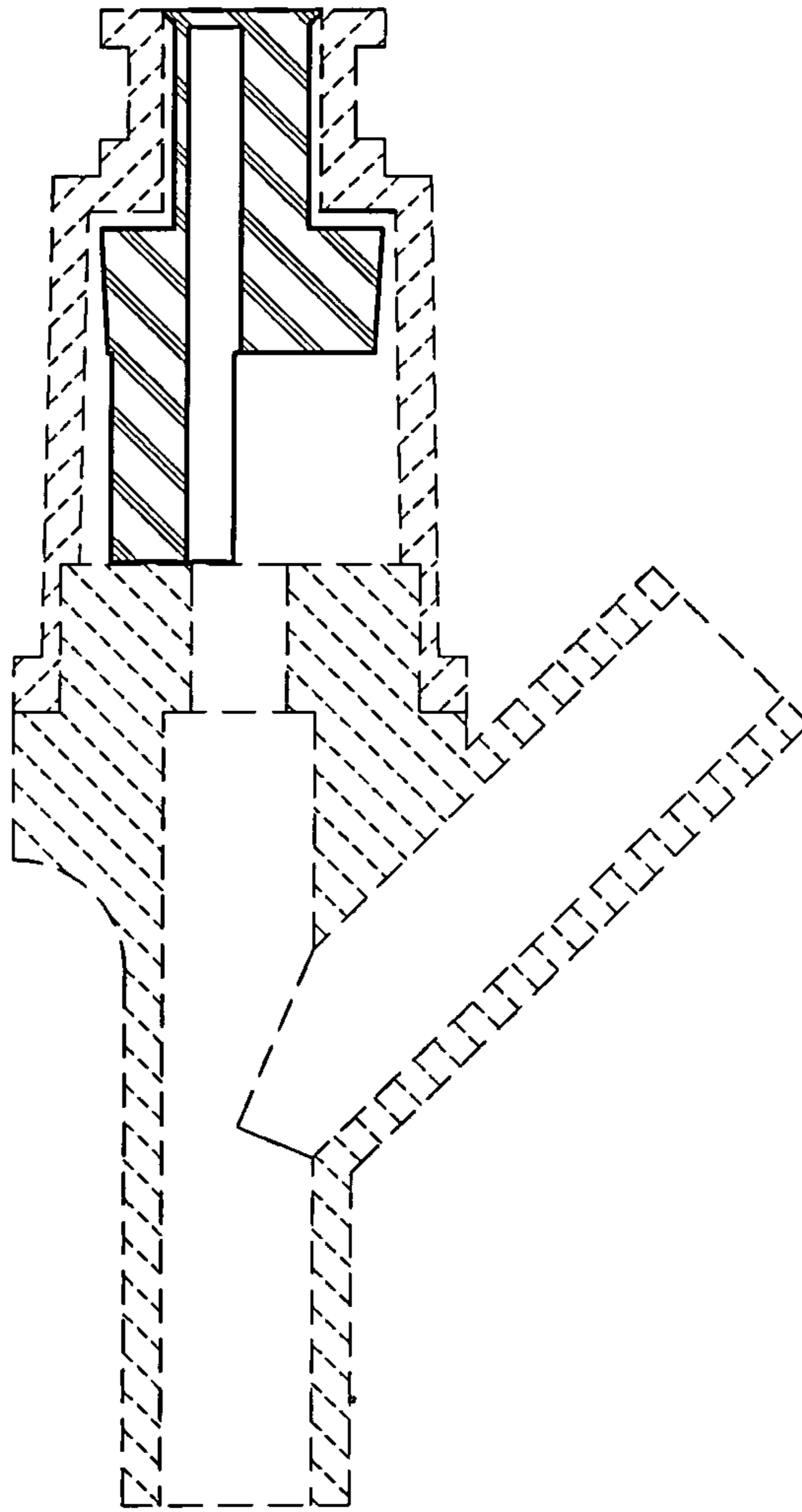


FIG.11

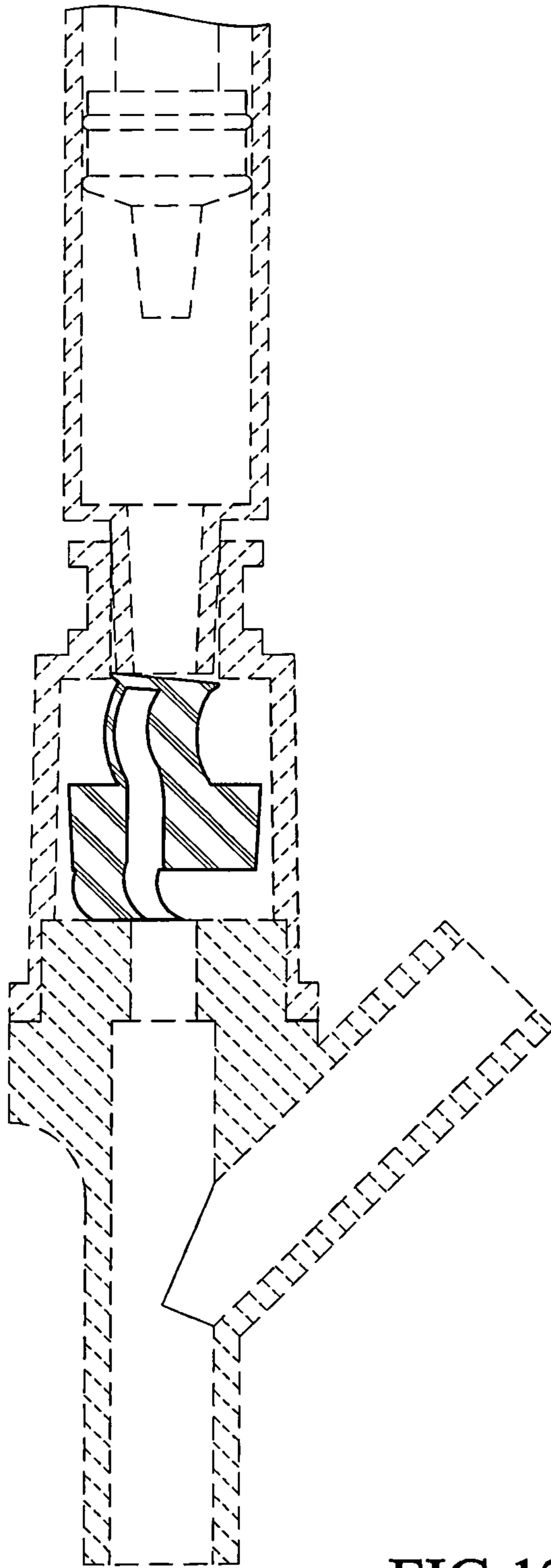


FIG. 12