



US00D733288S

(12) **United States Design Patent**  
**Althorpe et al.**

(10) **Patent No.:** **US D733,288 S**  
(45) **Date of Patent:** **\*\* Jun. 30, 2015**

(54) **INHALATOR**

(71) Applicants: **INTERQUIM, S.A.**, Sant Cugat Del Vallès (ES); **LABORATORIOS CINFA, S.A.**, Huarte (ES)

(72) Inventors: **Christopher John Althorpe**, Cardiff (GB); **Jonathan Paul Taylor**, Stonehouse (GB)

(73) Assignees: **INTERQUIM, S.A.**, Sant Cugat Del Valles (ES); **LABORATORIOS CINFA, S.A.**, Huarte (ES)

(\*\*) Term: **14 Years**

(21) Appl. No.: **29/457,829**

(22) Filed: **Jun. 13, 2013**

(30) **Foreign Application Priority Data**

Dec. 13, 2012 (EM) ..... 002152405

(51) **LOC (10) Cl.** ..... **29-02**

(52) **U.S. Cl.**  
USPC ..... **D24/110**

(58) **Field of Classification Search**  
USPC ..... D24/107, 108, 110, 111, 164;  
128/200.14, 200.23, 202.21, 203.15,  
128/203.21, 205.24

See application file for complete search history.

(56) **References Cited**

**U.S. PATENT DOCUMENTS**

D355,029 S *	1/1995	Kinneir et al. ....	D24/110
D518,569 S *	4/2006	Nishibayashi et al. ....	D24/110
D527,815 S *	9/2006	Nishibayashi et al. ....	D24/110
D527,816 S *	9/2006	Nishibayashi et al. ....	D24/110
D527,817 S *	9/2006	Ziegler et al. ....	D24/110
D528,654 S *	9/2006	Nishibayashi et al. ....	D24/110
D613,395 S *	4/2010	Nakao et al. ....	D24/110
D613,396 S *	4/2010	Nakao et al. ....	D24/110

D647,196 S *	10/2011	Clarke et al. ....	D24/110
D683,844 S *	6/2013	Andrade et al. ....	D24/110
D697,616 S *	1/2014	Berry et al. ....	D24/110
D710,002 S *	7/2014	Valentine et al. ....	D24/110
2002/0183347 A1 *	12/2002	Meade et al. ....	514/291
2002/0189610 A1 *	12/2002	Bozung et al. ....	128/200.22
2004/0048887 A1 *	3/2004	Meade et al. ....	514/291
2004/0058950 A1 *	3/2004	Meade et al. ....	514/291
2004/0266869 A1 *	12/2004	Montague et al. ....	514/554
2005/0279357 A1 *	12/2005	Wachtel ....	128/203.15

(Continued)

**FOREIGN PATENT DOCUMENTS**

EM 001249296-0001 12/2010

*Primary Examiner* — Deanna L Pratt

*Assistant Examiner* — Lilyana Bekic

(74) *Attorney, Agent, or Firm* — Birch, Stewart, Kolasch & Birch, LLP

(57) **CLAIM**

The ornamental design for an inhalator, as shown and described.

**DESCRIPTION**

FIG. 1 is a perspective bottom view of the inhalator with the lid closed;

FIG. 2 is a front elevational view of the inhalator with the lid closed, the rear elevation view being a mirror image thereof; FIG. 3 is a perspective view of the inhalator with the lid closed;

FIG. 4 is a perspective view of the inhalator with the lid detached;

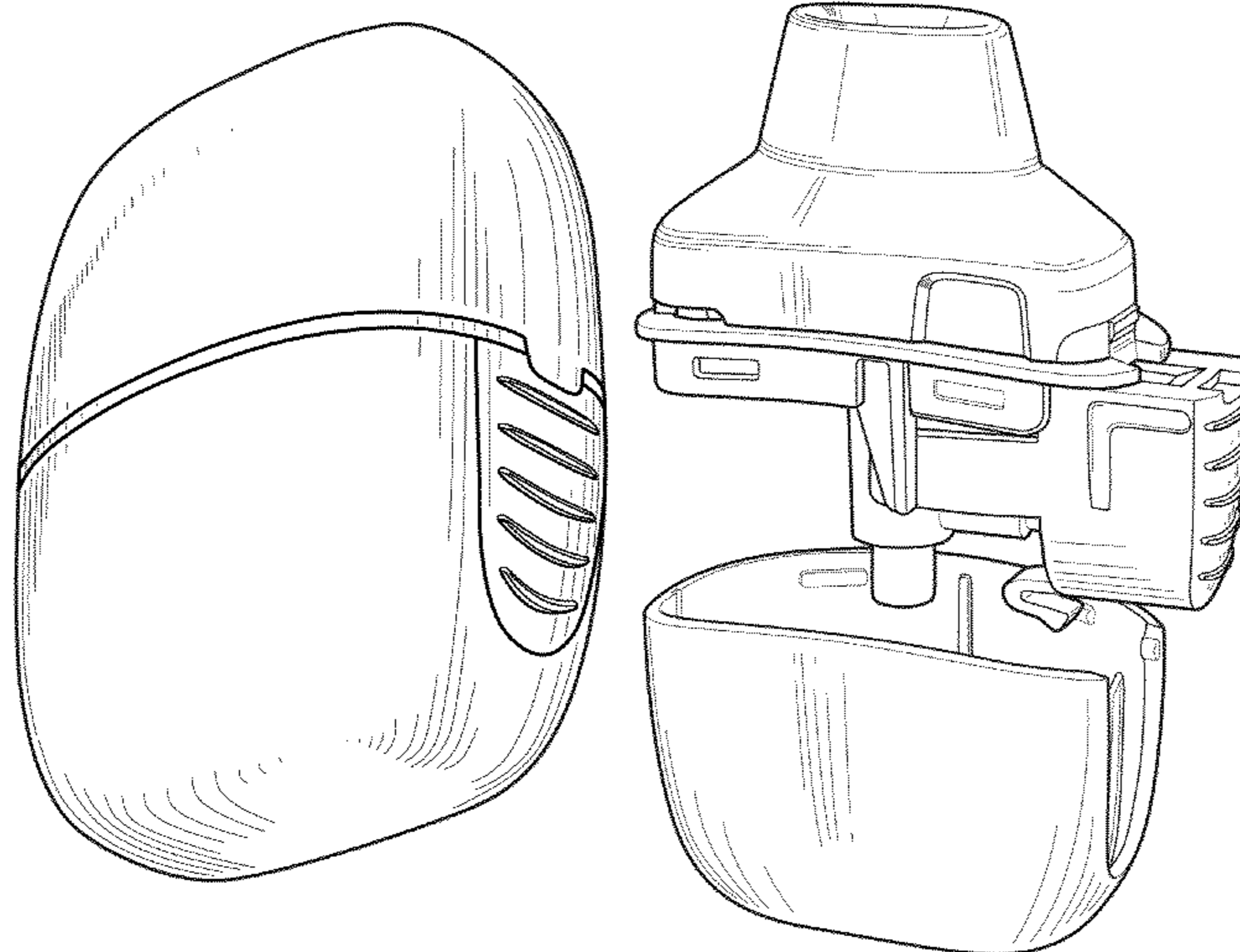
FIG. 5 is an exploded view of the inhalator without the lid;

FIG. 6 is a perspective view of the inhalator without the lid and the mouthpiece closed; and,

FIG. 7 is a perspective view of the inhalator without the lid and the mouthpiece opened.

The broken line structures in the drawings are included for the purposes of illustration and form no part of the claimed design.

**1 Claim, 7 Drawing Sheets**



(56)

**References Cited**

U.S. PATENT DOCUMENTS

2006/0219242	A1 *	10/2006	Zierenberg .....	128/200.23	2009/0165791	A1 *	7/2009	Wendland .....	128/203.21
2006/0237016	A1 *	10/2006	Wachtel .....	128/205.21	2009/0205656	A1 *	8/2009	Nishibayashi et al. ..	128/203.15
2006/0239935	A1 *	10/2006	Bouyssou et al. ....	424/46	2009/0235929	A1 *	9/2009	Egen et al. ....	128/203.15
2007/0221211	A1 *	9/2007	Sagalovich .....	128/200.15	2009/0277446	A1 *	11/2009	Walz .....	128/203.15
2008/0295832	A1 *	12/2008	Geser et al. ....	128/203.15	2010/0099651	A1 *	4/2010	Jung et al. ....	514/171
					2011/0067696	A1 *	3/2011	Sato et al. ....	128/203.15
					2013/0152927	A1 *	6/2013	Baillet et al. ....	128/203.15

\* cited by examiner

Fig. 1

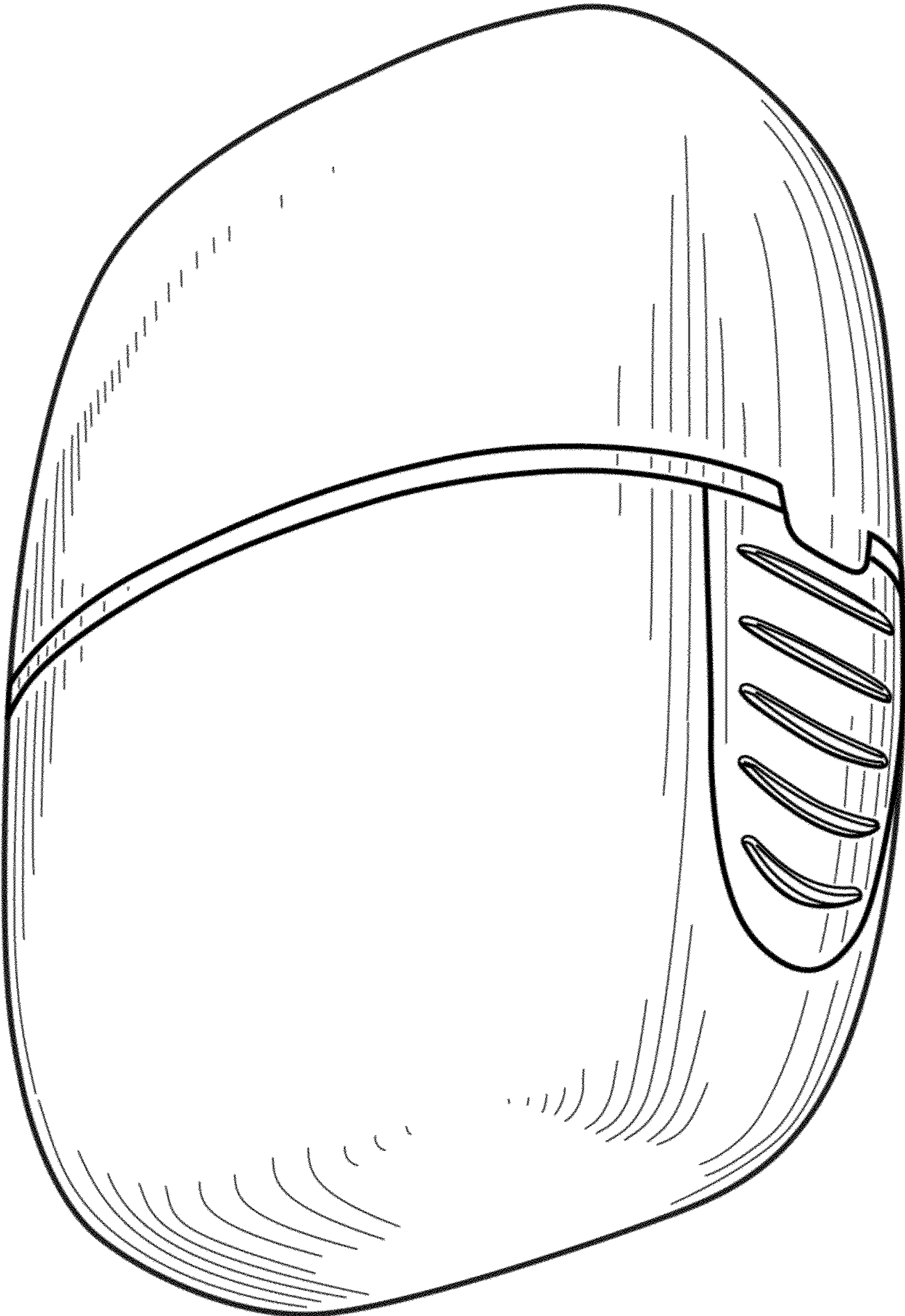


Fig. 2

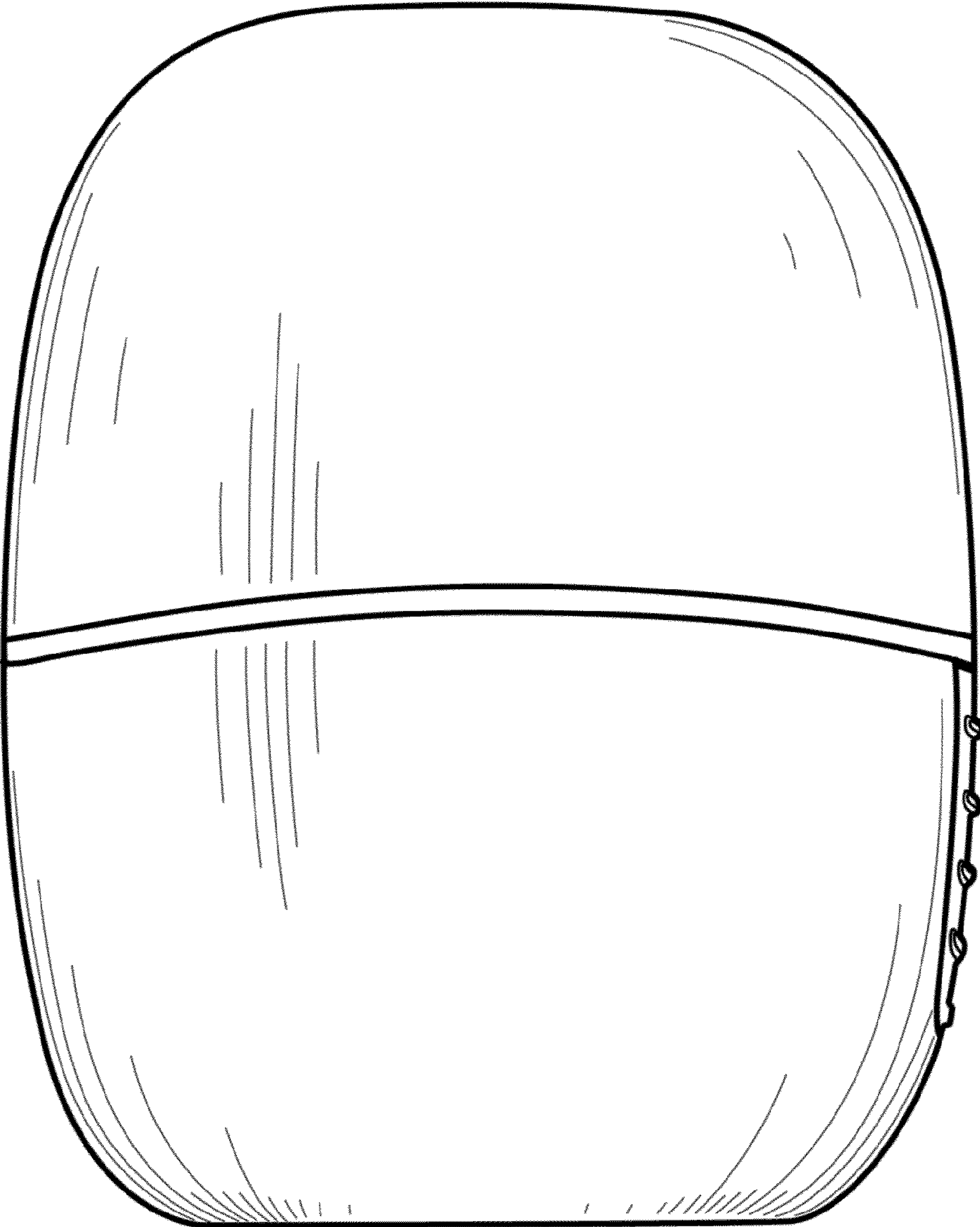


Fig. 3

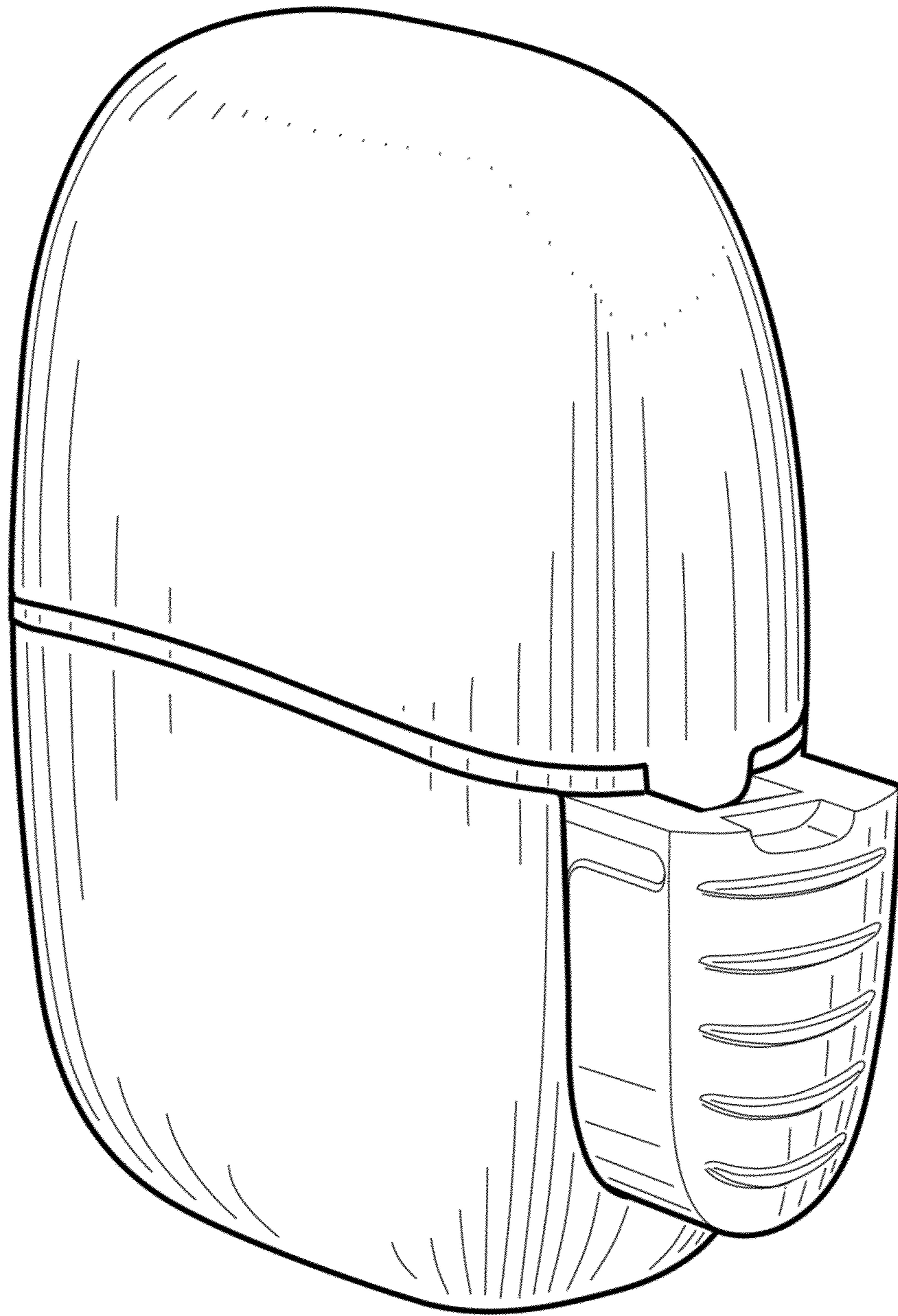


Fig. 4

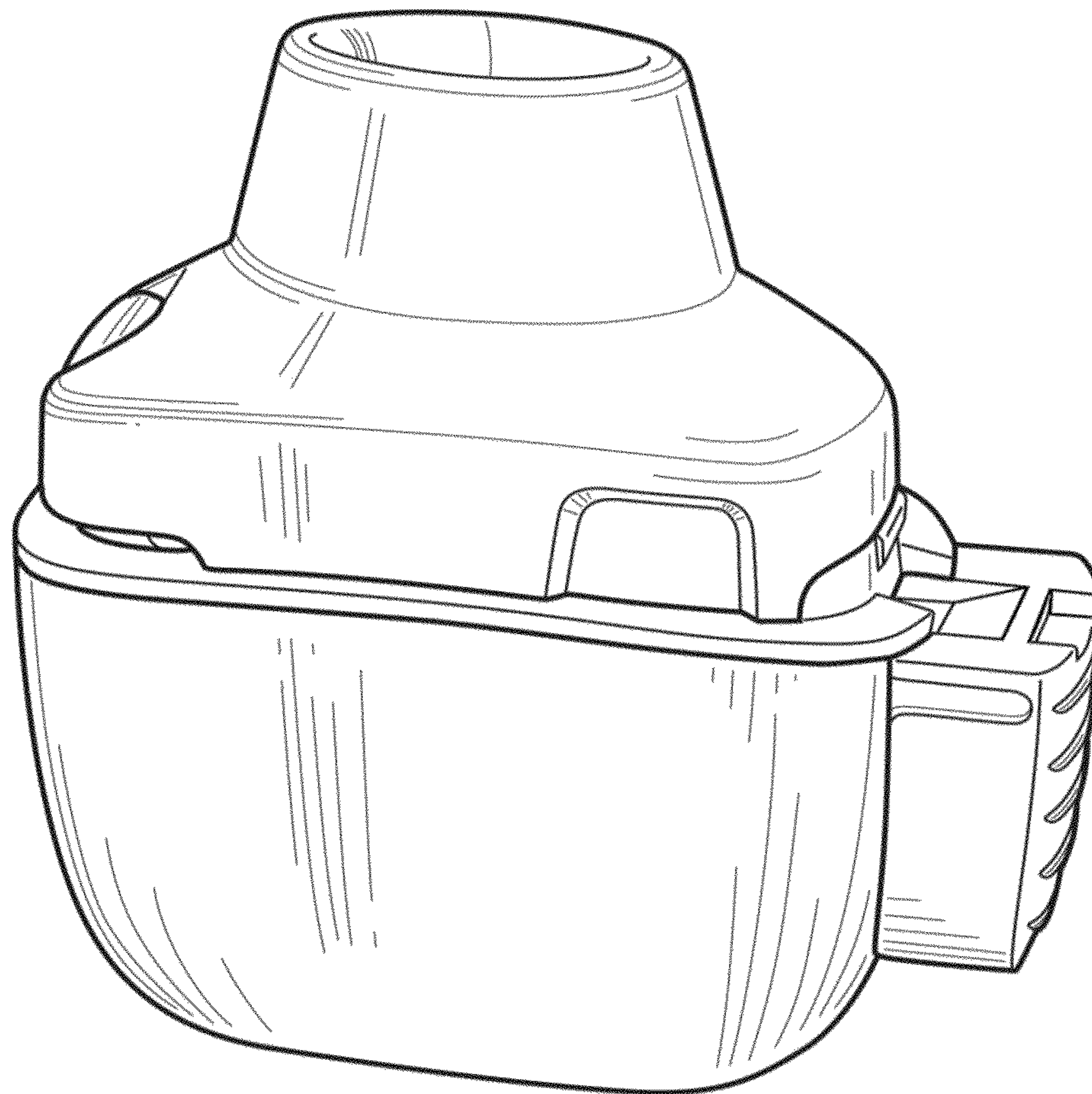
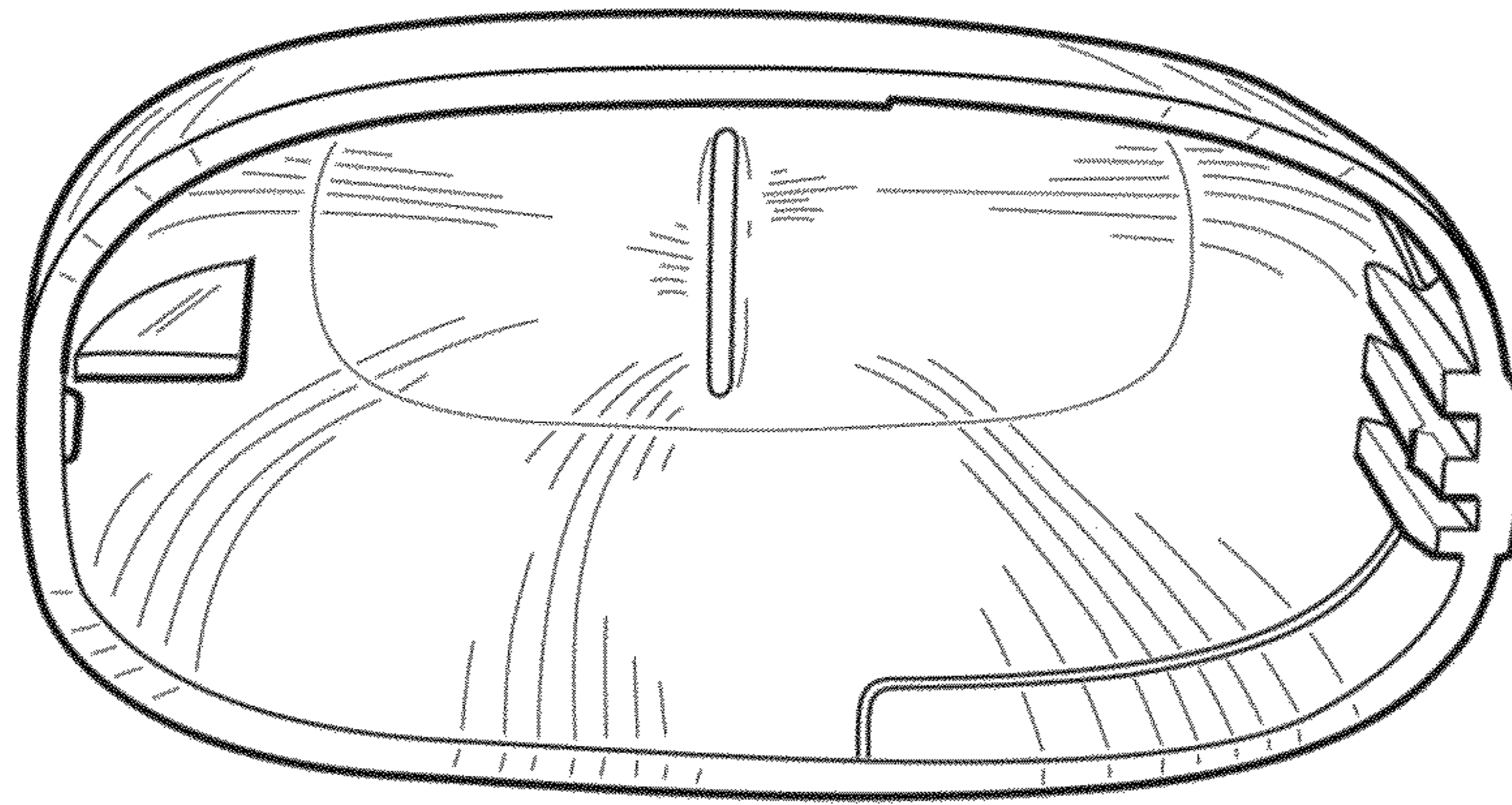


Fig. 5

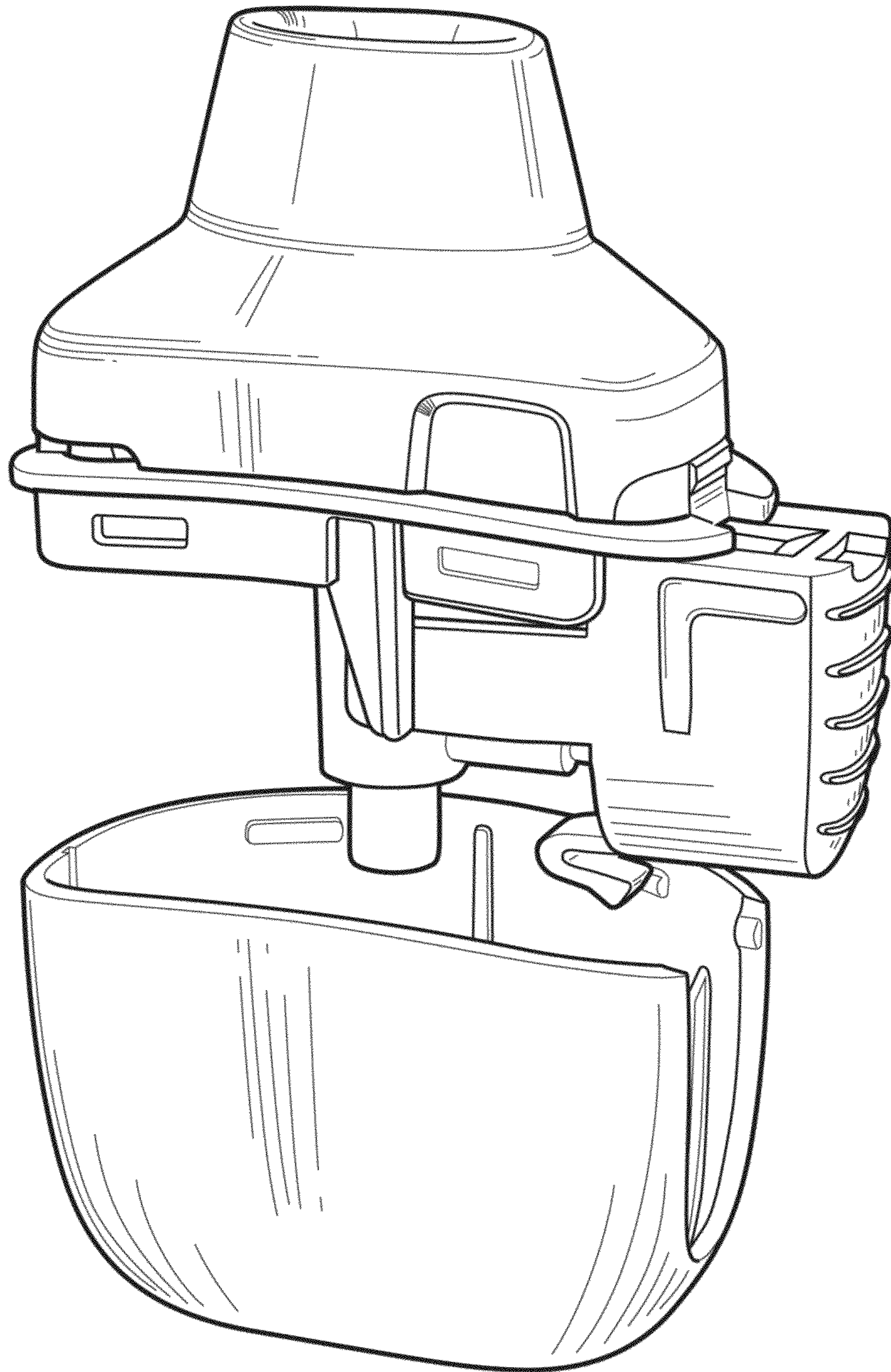


Fig. 6

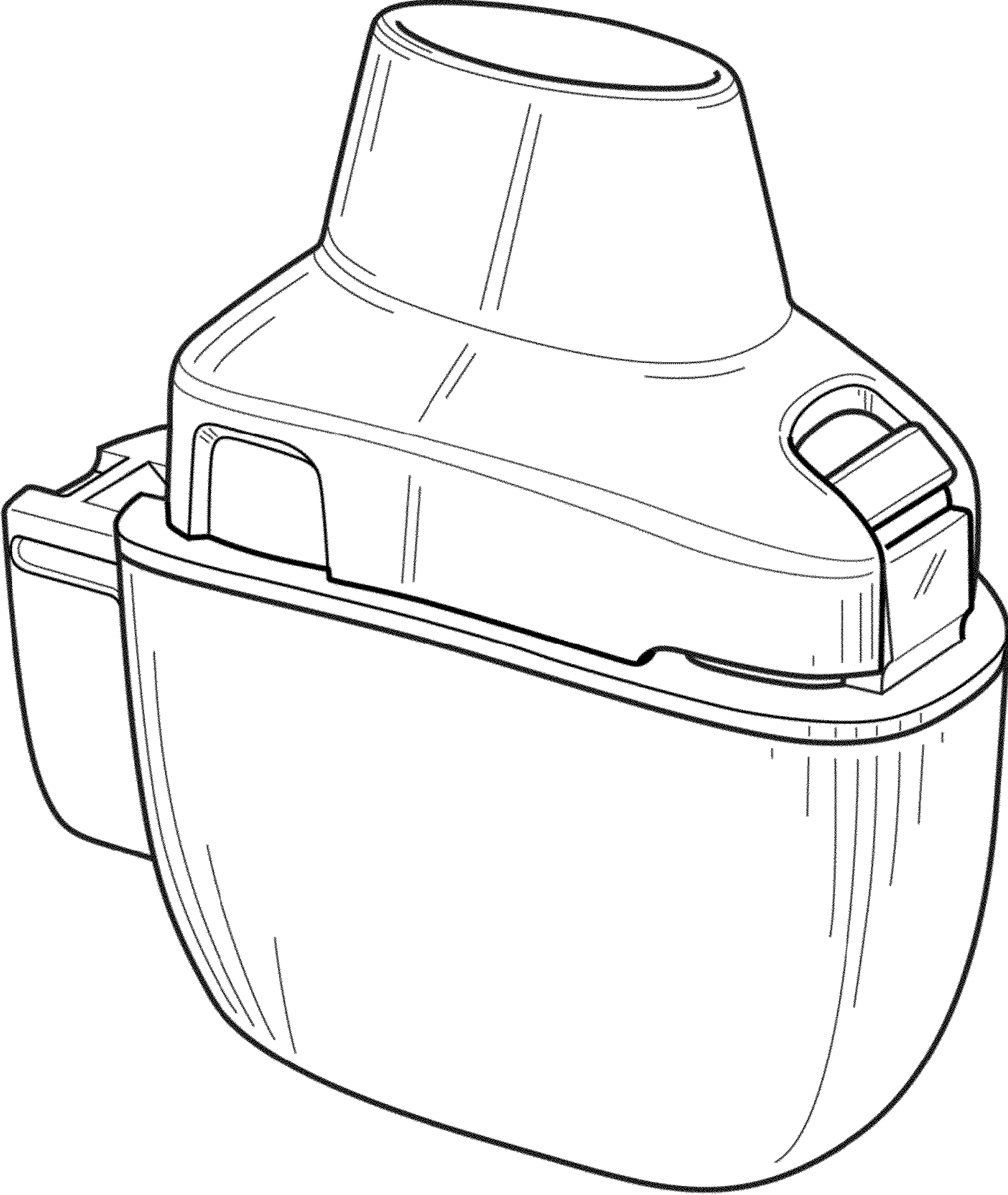




Fig. 7

