



US00D733287S

(12) **United States Design Patent**  
**Bilgic**

(10) **Patent No.:** **US D733,287 S**  
(45) **Date of Patent:** **\*\* Jun. 30, 2015**

(54) **DRY POWDER INHALER**

(76) Inventor: **Mahmut Bilgic**, Istanbul (TR)

(\*\*) Term: **14 Years**

(21) Appl. No.: **29/419,386**

(22) Filed: **Apr. 27, 2012**

**Related U.S. Application Data**

(63) Continuation-in-part of application No. 13/451,838, filed on Apr. 20, 2012, which is a continuation-in-part of application No. PCT/TR2011/000093, filed on Apr. 13, 2011.

(51) **LOC (10) Cl.** ..... **29-02**

(52) **U.S. Cl.**  
USPC ..... **D24/110**

(58) **Field of Classification Search**  
USPC ..... D24/110, 110.5, 164; D9/420, 422;  
D10/70, 72; D14/159; D23/366, 369;  
128/200.14, 200.21, 200.23, 203.15,  
128/203.21, 203.23  
CPC ..... A61M 11/08; A61M 15/0055; A61M  
15/0026

See application file for complete search history.

(56) **References Cited**

**U.S. PATENT DOCUMENTS**

2,625,292 A \* 1/1953 Spender ..... 220/835  
D450,117 S \* 11/2001 Braithwaite et al. .... D24/110  
D479,689 S \* 9/2003 Altonen et al. .... D9/516  
D505,865 S \* 6/2005 Seizer et al. .... D9/688  
D518,171 S \* 3/2006 Anderson et al. .... D24/110

D590,495 S \* 4/2009 Lulla et al. .... D24/110  
D590,938 S \* 4/2009 Lulla et al. .... D24/110  
2011/0271958 A1\* 11/2011 Sawant ..... 128/203.21

**FOREIGN PATENT DOCUMENTS**

WO WO-2011/049541 A1 4/2011  
WO WO-2011/129785 A1 10/2011  
WO WO-2011/129786 A1 10/2011  
WO WO-2011/129787 A1 10/2011  
WO WO-2011/129788 A1 10/2011  
WO WO-2011/129789 A1 10/2011  
WO WO-2011/129790 A1 10/2011  
WO WO-2011/129791 A1 10/2011  
WO WO-2011/129793 A1 10/2011  
WO WO-2011/129794 A1 10/2011  
WO WO-2011/129795 A1 10/2011

\* cited by examiner

*Primary Examiner* — Ian Simmons

*Assistant Examiner* — Richelle G Shelton

(74) *Attorney, Agent, or Firm* — Clark & Elbing LLP

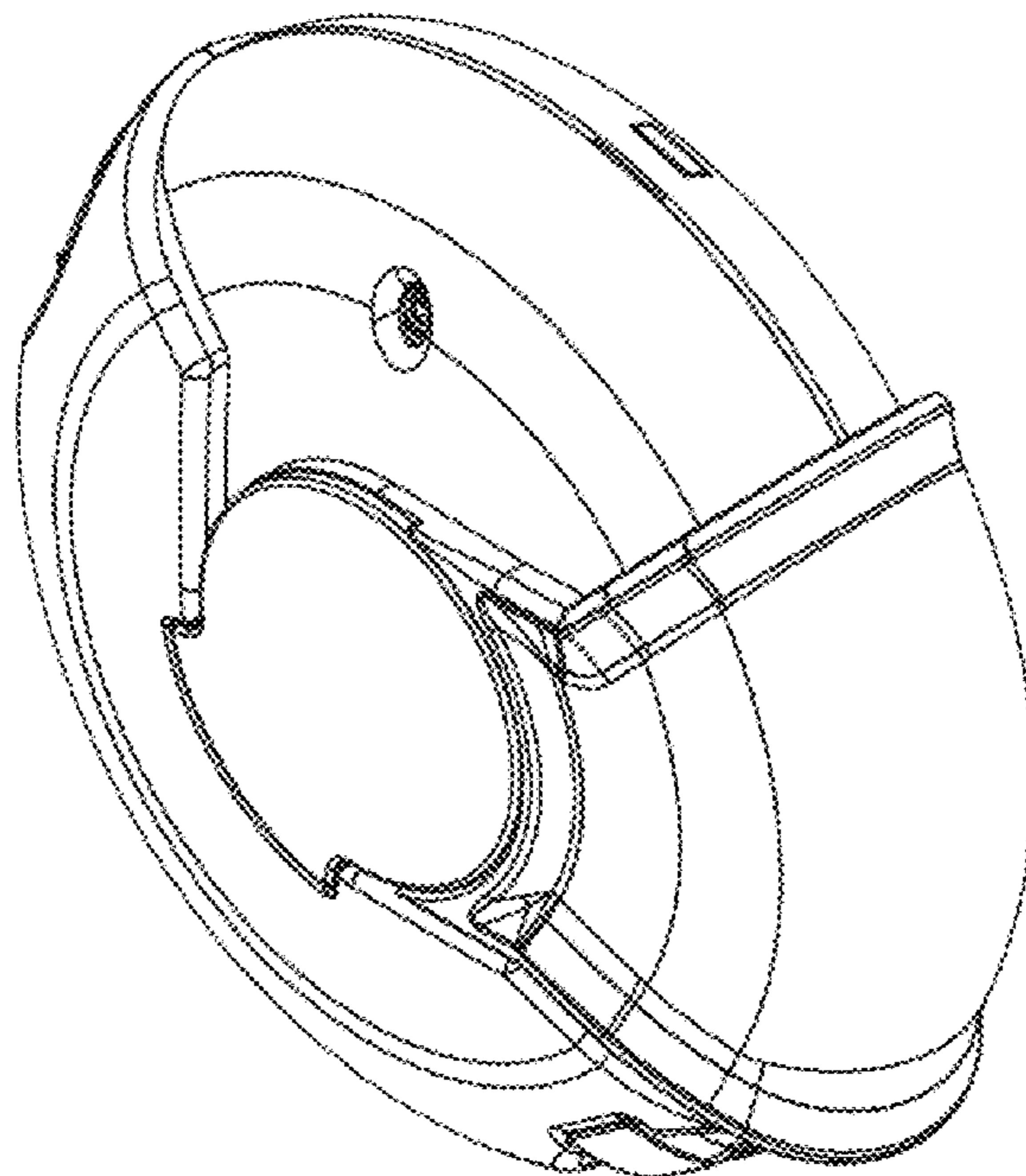
(57) **CLAIM**

The ornamental design for a dry powder inhaler, substantially as shown and described.

**DESCRIPTION**

FIG. 1 is a front elevation view of the dry powder inhaler  
FIG. 2 is a back elevation view of the dry powder inhaler.  
FIG. 3 is a perspective view of the dry powder inhaler.  
FIG. 4 is a left side elevation view of the dry powder inhaler;  
and,  
FIG. 5 is a right side elevation view of the dry powder inhaler.  
The broken line showing is included for the purpose of illustrating an aperture in the housing of the inhaler and forms no part of the claimed design.

**1 Claim, 5 Drawing Sheets**



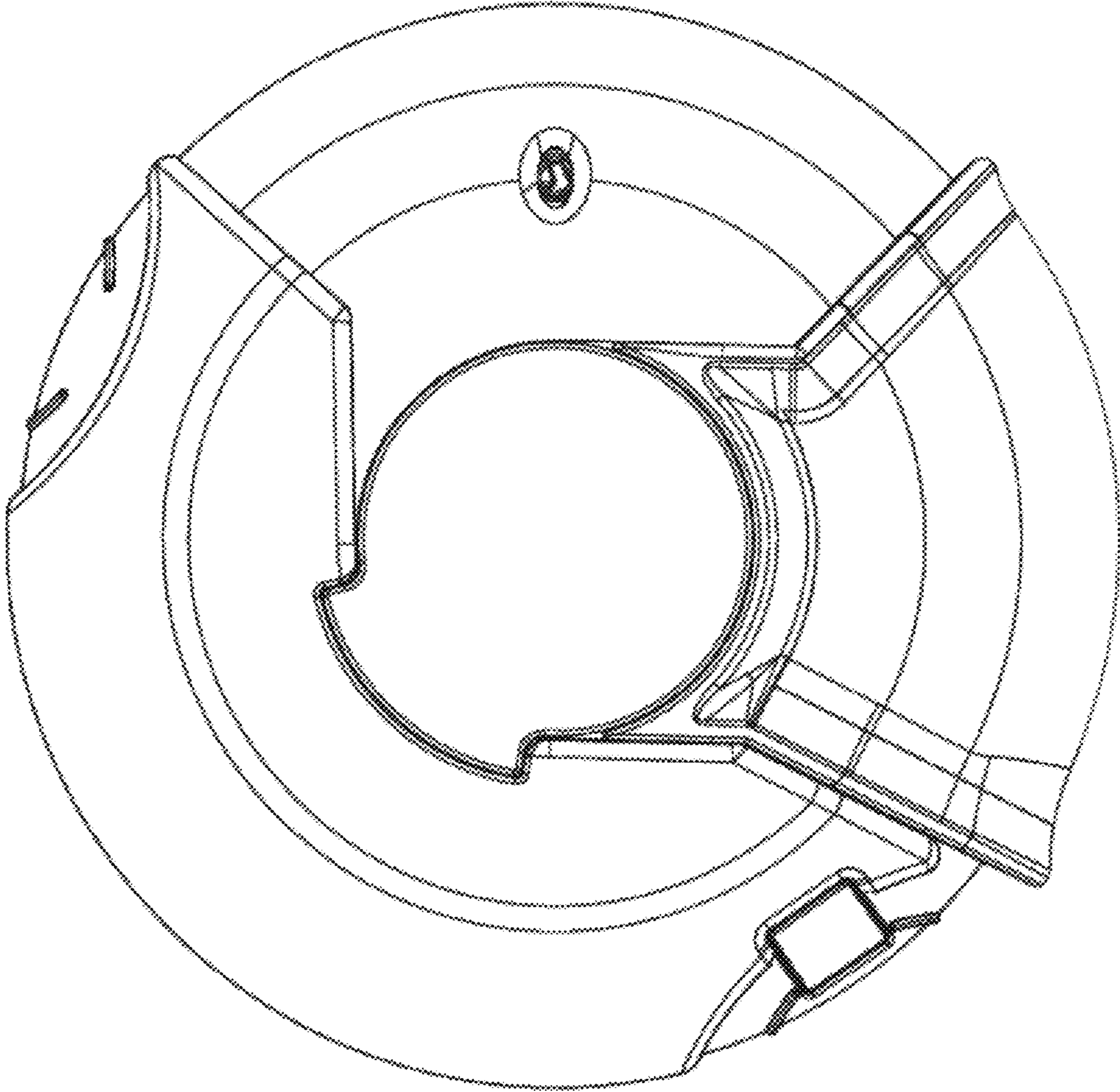


FIG 1

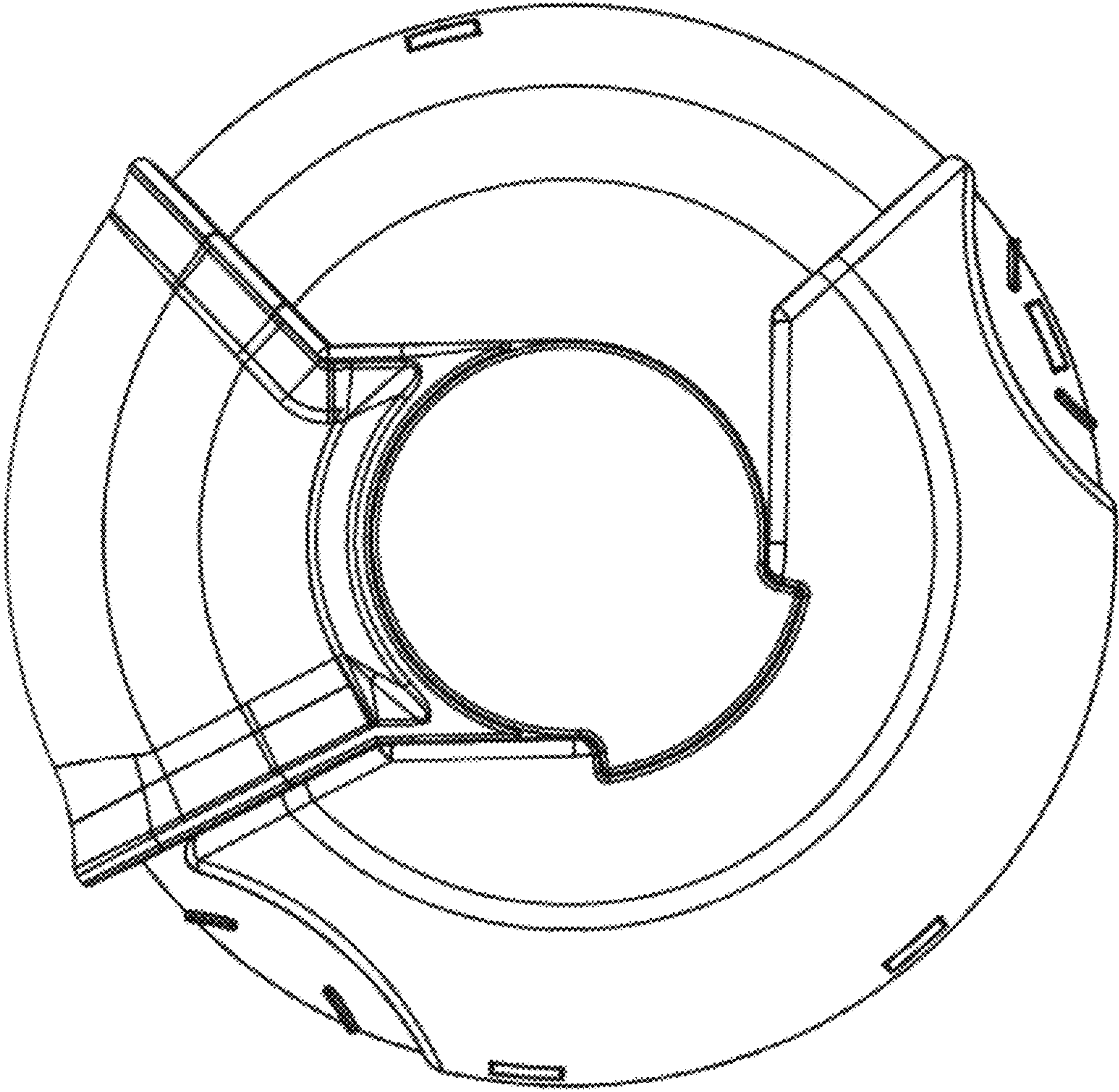


FIG 2

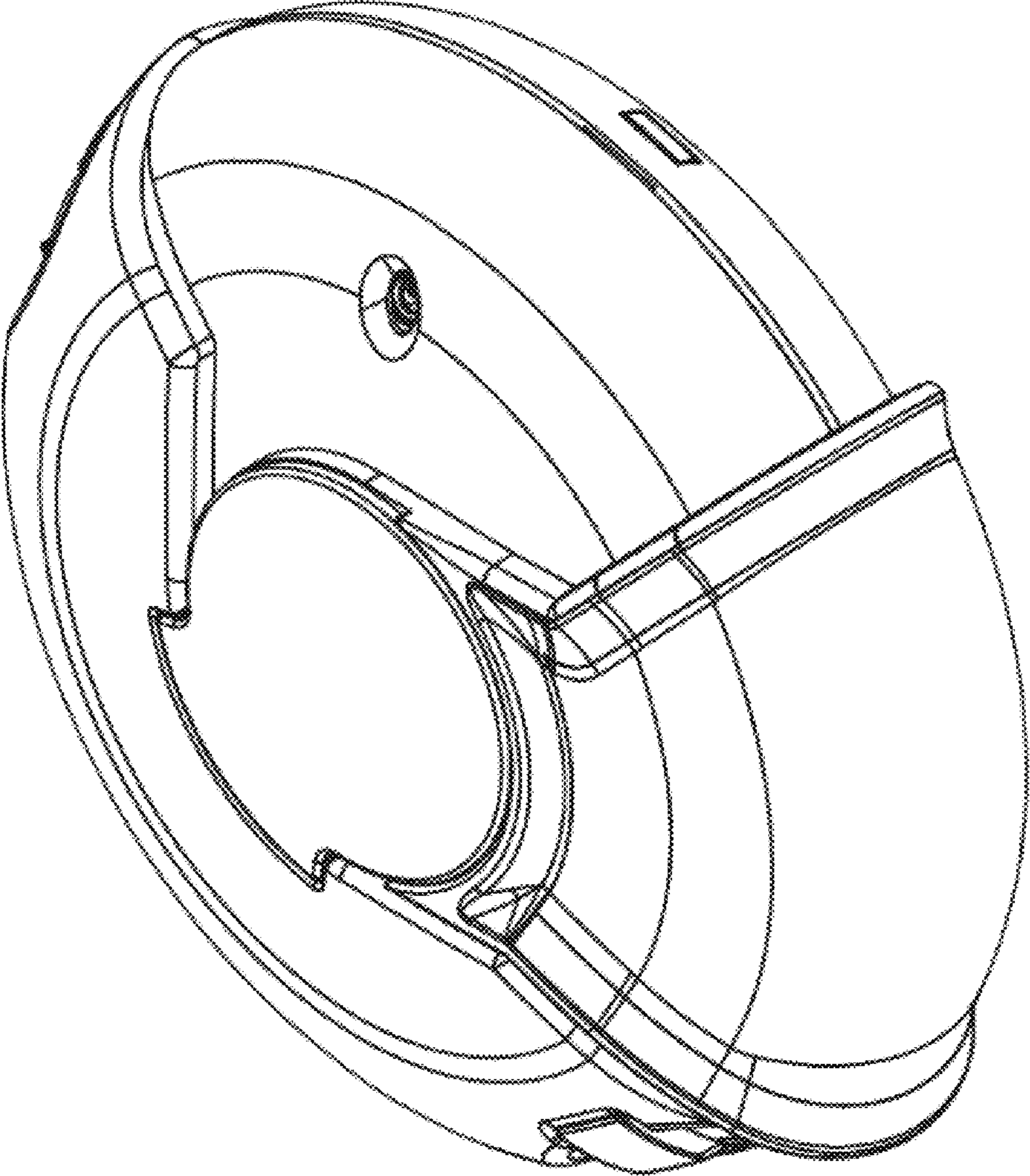


FIG 3

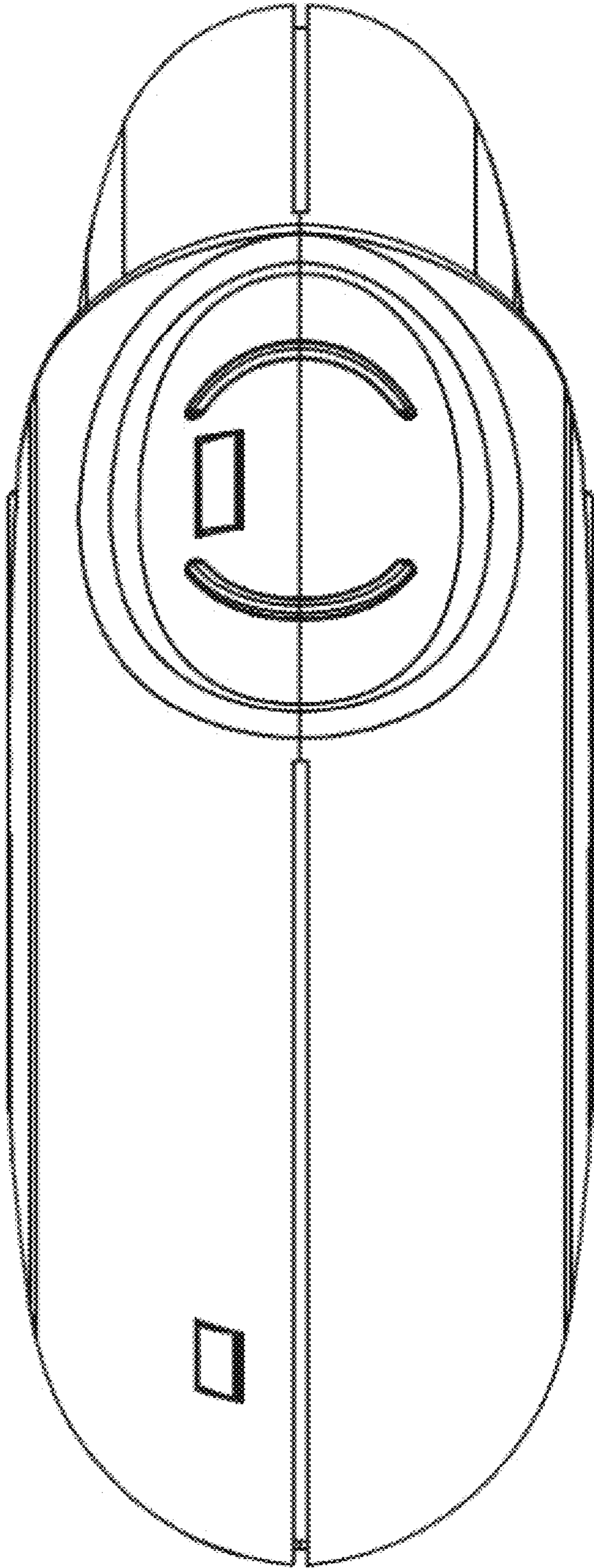


FIG 4

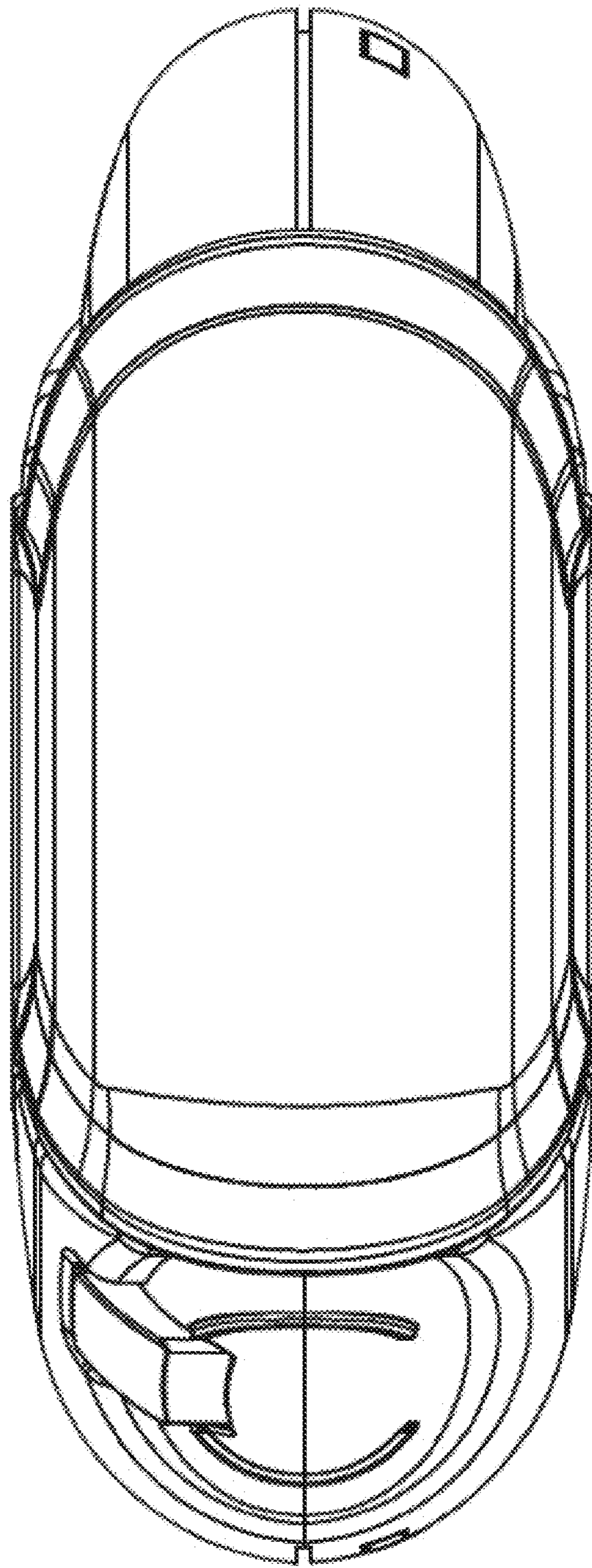


FIG 5