



US00D733283S

(12) **United States Design Patent**
Larouche et al.

(10) **Patent No.:** **US D733,283 S**
(45) **Date of Patent:** **** Jun. 30, 2015**

- (54) **FAN**
- (71) Applicant: **Ventec Canada Inc.**, St-Hyacinthe (CA)
- (72) Inventors: **Justin Larouche**, Mont-St-Hilaire (CA);
Julien Bertrand, St-Hyacinthe (CA)
- (73) Assignee: **Ventec Canada Inc.**, St. Hyacinthe,
Quebec (CA)
- (**) Term: **14 Years**
- (21) Appl. No.: **29/479,277**
- (22) Filed: **Jan. 14, 2014**

- (30) **Foreign Application Priority Data**
Sep. 12, 2013 (CA) 152890
- (51) **LOC (10) Cl.** **23-04**
- (52) **U.S. Cl.**
USPC **D23/379**
- (58) **Field of Classification Search**
USPC D23/370-379, 381-388, 393, 394, 399,
D23/411-414, 355-356; 415/1, 182.1, 200,
415/90; 416/180, 189, 190, 204 R, 219 R,
416/220, 244 R, 246, 247 R, 142; 417/234,
417/369, 423.1, 423.7; D26/59; 454/353
CPC F24F 13/14; F24F 7/013; A01K 1/0052
See application file for complete search history.

(56) **References Cited**
U.S. PATENT DOCUMENTS

D129,935 S *	10/1941	Wilcoxson	D23/379
D171,505 S *	2/1954	Krueger	D23/388
3,358,577 A *	12/1967	Thomson	454/320
3,559,560 A *	2/1971	Trahan	454/299
4,594,940 A *	6/1986	Wolbrink et al.	454/346
4,693,176 A *	9/1987	Deeg et al.	454/299
D295,675 S *	5/1988	Demarest	D23/366
4,779,518 A *	10/1988	Artwick et al.	454/353

4,991,496 A *	2/1991	Kuno et al.	454/300
5,060,901 A *	10/1991	Lathrop et al.	248/343
D325,433 S *	4/1992	Siebert et al.	D23/382
D334,977 S *	4/1993	Avari	D23/387
5,211,605 A *	5/1993	Shiga et al.	454/284
5,489,238 A *	2/1996	Asselbergs	454/329
5,567,200 A *	10/1996	Swartzendruber	454/338
D441,856 S *	5/2001	Wettergren	D23/328
6,386,828 B1 *	5/2002	Davis et al.	415/147
D477,157 S *	7/2003	Rimback	D6/473
D496,992 S *	10/2004	Lafond	D23/388
D508,122 S *	8/2005	Murphy	D23/387

(Continued)

OTHER PUBLICATIONS

Ventec Cyclone Plus. ventecventilation.ca (online PDF) 5 pages.
Posted Mar. 19, 2014. [retrieved on Dec. 16, 2014]. Retrieved from
Internet: http://www.ventecventilation.ca/pdf/ventec_cycloneplusen_2014.pdf.*

(Continued)

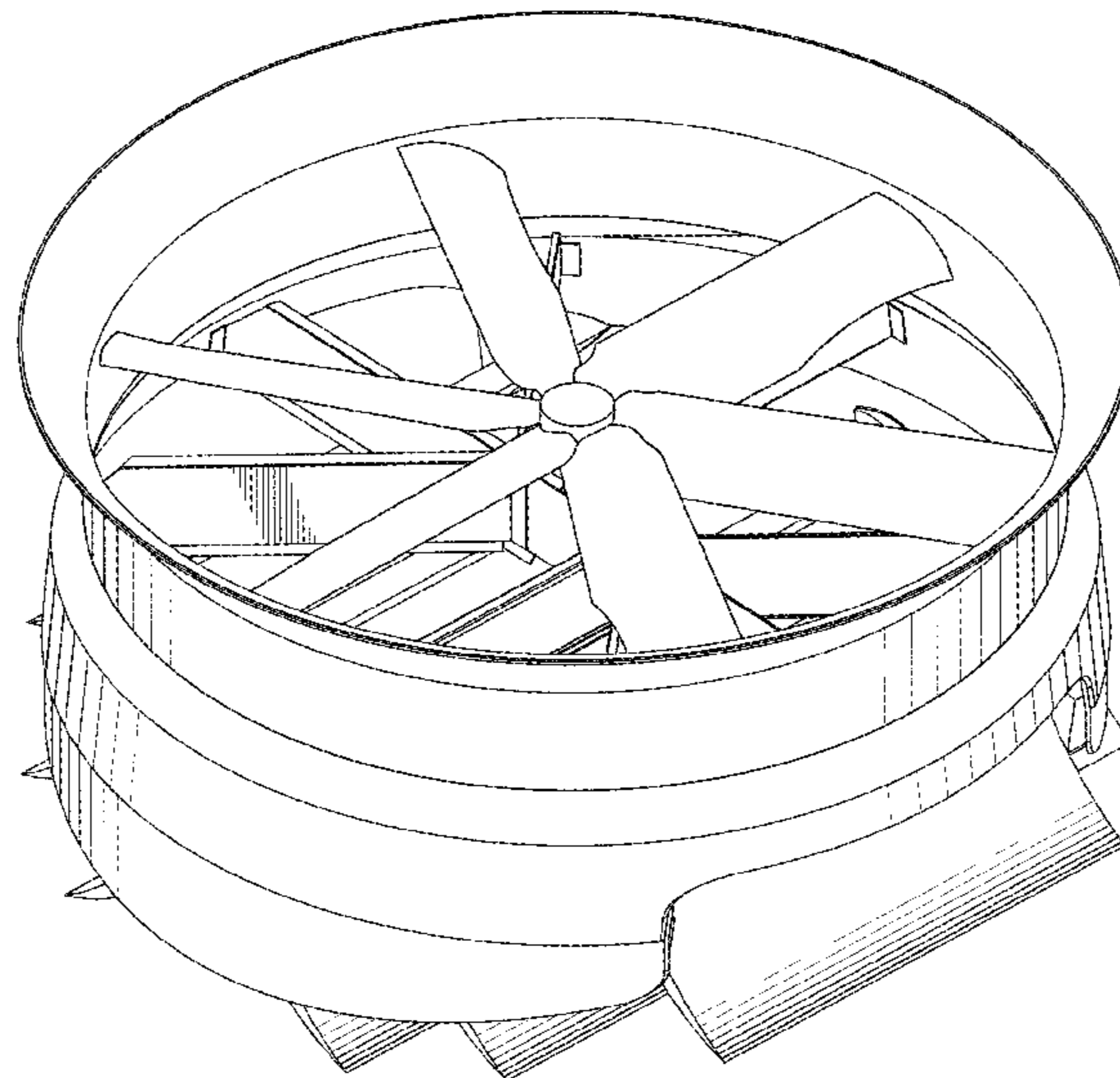
Primary Examiner — Susan Bennett Hattan
Assistant Examiner — Marie Fast Horse
(74) *Attorney, Agent, or Firm* — Robert Brouillette;
Brouillette & Partners

(57) **CLAIM**
The ornamental design for a fan, as shown and described.

DESCRIPTION

FIG. 1 is a top perspective view of the fan;
FIG. 2 is a first side view of the fan;
FIG. 3 is a second side view of the fan;
FIG. 4 is a front view of the fan;
FIG. 5 is a rear view of the fan;
FIG. 6 is a bottom view of the fan. The broken lines in FIG. 6
depict parts of the fan that form no part of the claimed design;
and,
FIG. 7 is a top view of the fan.

1 Claim, 5 Drawing Sheets



(56)

References Cited

U.S. PATENT DOCUMENTS

D521,631 S * 5/2006 Habensus D23/388
 D593,193 S * 5/2009 Jackson et al. D23/371
 D597,193 S * 7/2009 Reuter D23/382
 D608,432 S * 1/2010 Aruga et al. D23/358
 D620,096 S * 7/2010 Underwood D23/379
 8,337,160 B2 * 12/2012 Uehara 416/189
 8,360,833 B2 * 1/2013 Grantham 454/184
 8,403,651 B2 * 3/2013 Hsu et al. 417/423.1
 8,408,884 B2 * 4/2013 Hsu et al. 417/423.1
 8,585,361 B1 * 11/2013 Terrell 415/213.1
 2006/0105696 A1 * 5/2006 Wenger 454/254
 2007/0013242 A1 * 1/2007 Tung et al. 310/67 R
 2008/0259564 A1 * 10/2008 Kayama et al. 361/695

2009/0270024 A1 * 10/2009 Buck 454/283
 2010/0223773 A1 * 9/2010 Florian 29/283
 2011/0182737 A1 * 7/2011 Zha et al. 416/193 R
 2012/0039731 A1 * 2/2012 Sadi et al. 417/423.7
 2012/0149293 A1 * 6/2012 Labrecque 454/353
 2012/0207606 A1 * 8/2012 Stephan et al. 416/204 R
 2013/0128450 A1 * 5/2013 Redshaw et al. 361/679.46

OTHER PUBLICATIONS

Super Excellent recirculating exhaust fan—Cyclone VHV 72" 4 pages. lulososo.com(online) Posted as early as May 12, 2011. [retrieved on Dec. 16, 2014]. Retrieved from Internet: <<http://sell.lulososo.com/selling-leads/227894/Super-Excellent-recirculating-exhaust-fan-Cyclone-VHV-72-quot-.html>>.*

* cited by examiner

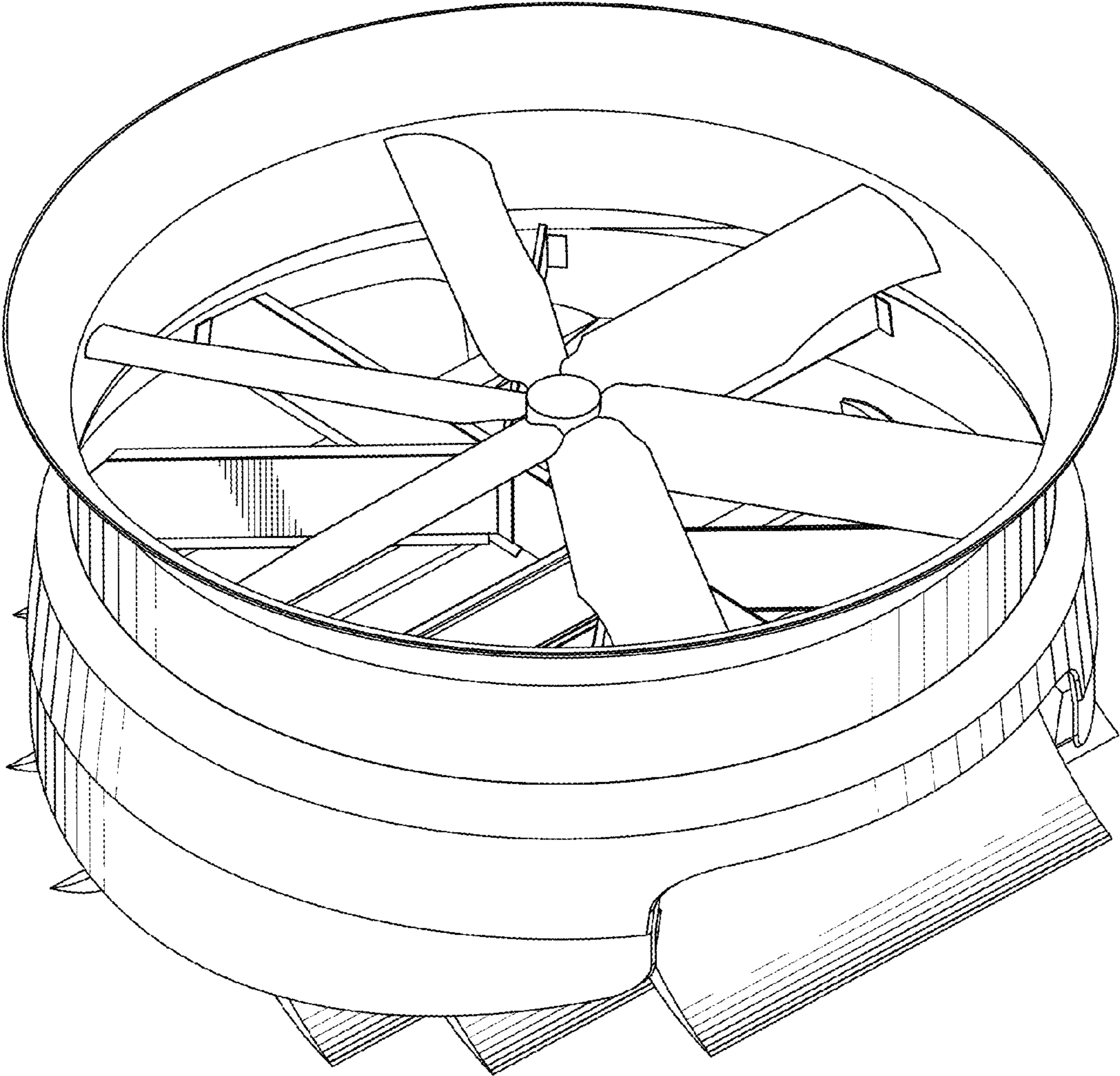


FIG-1

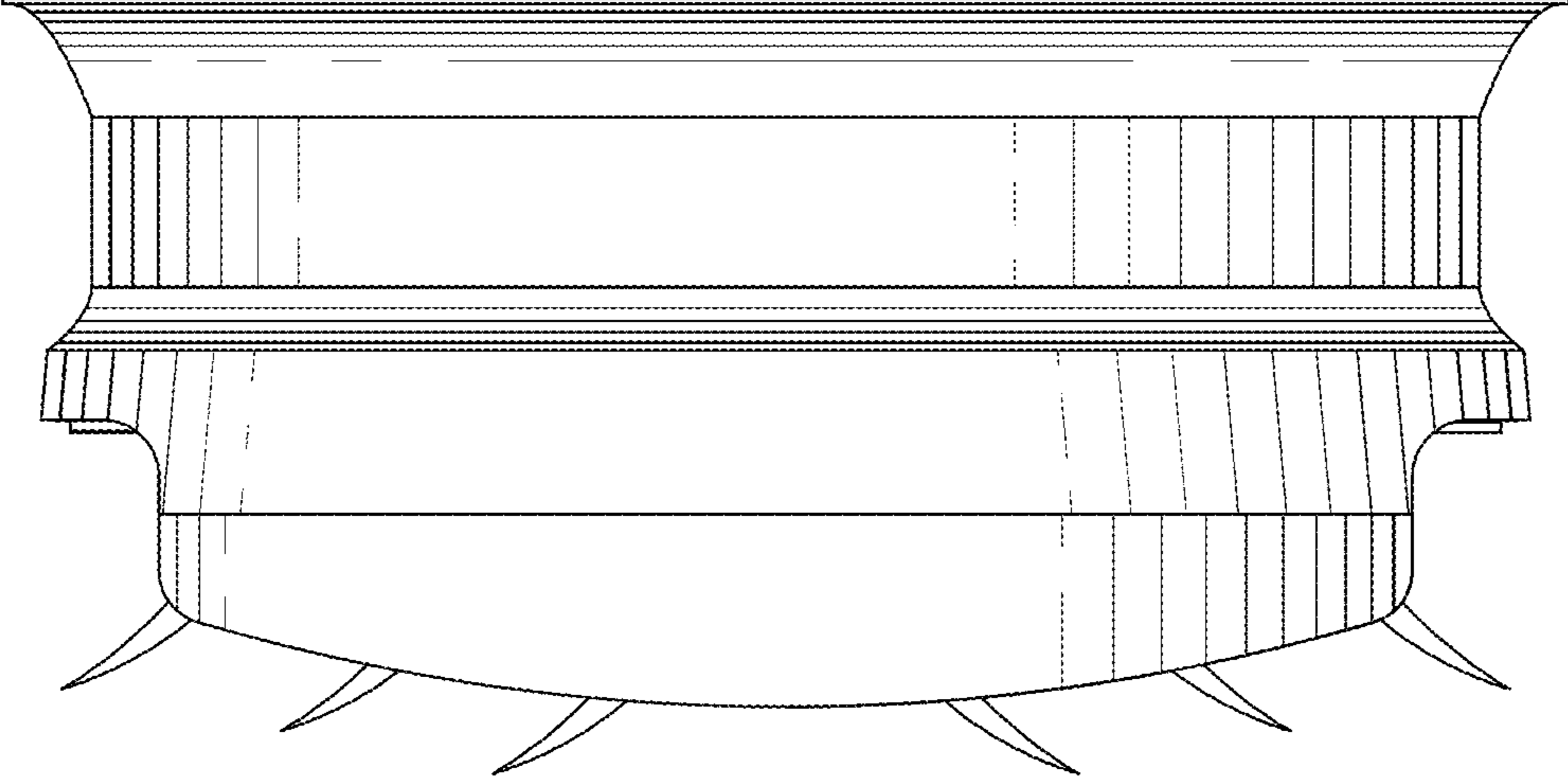


Fig-2

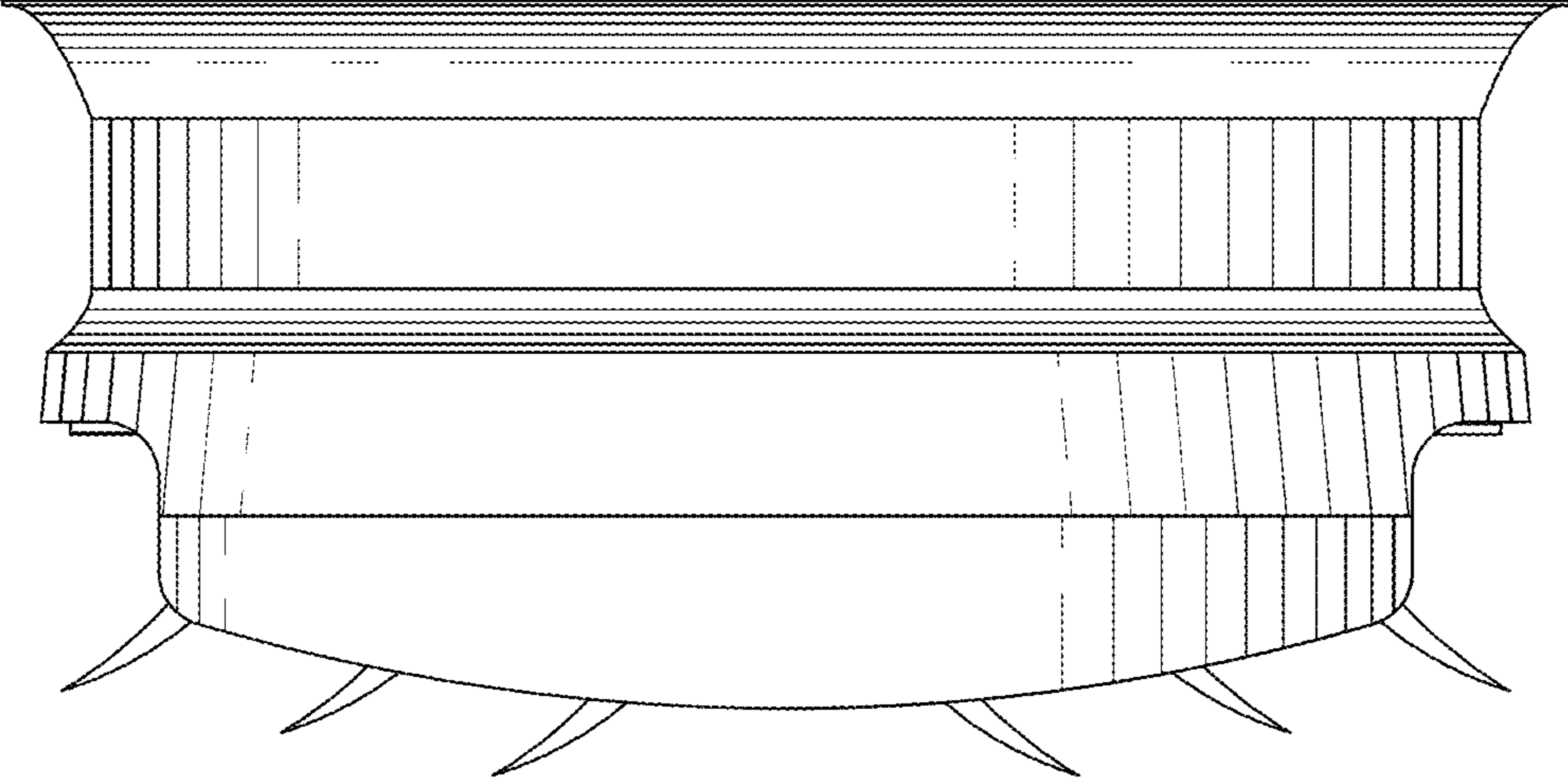


Fig-3

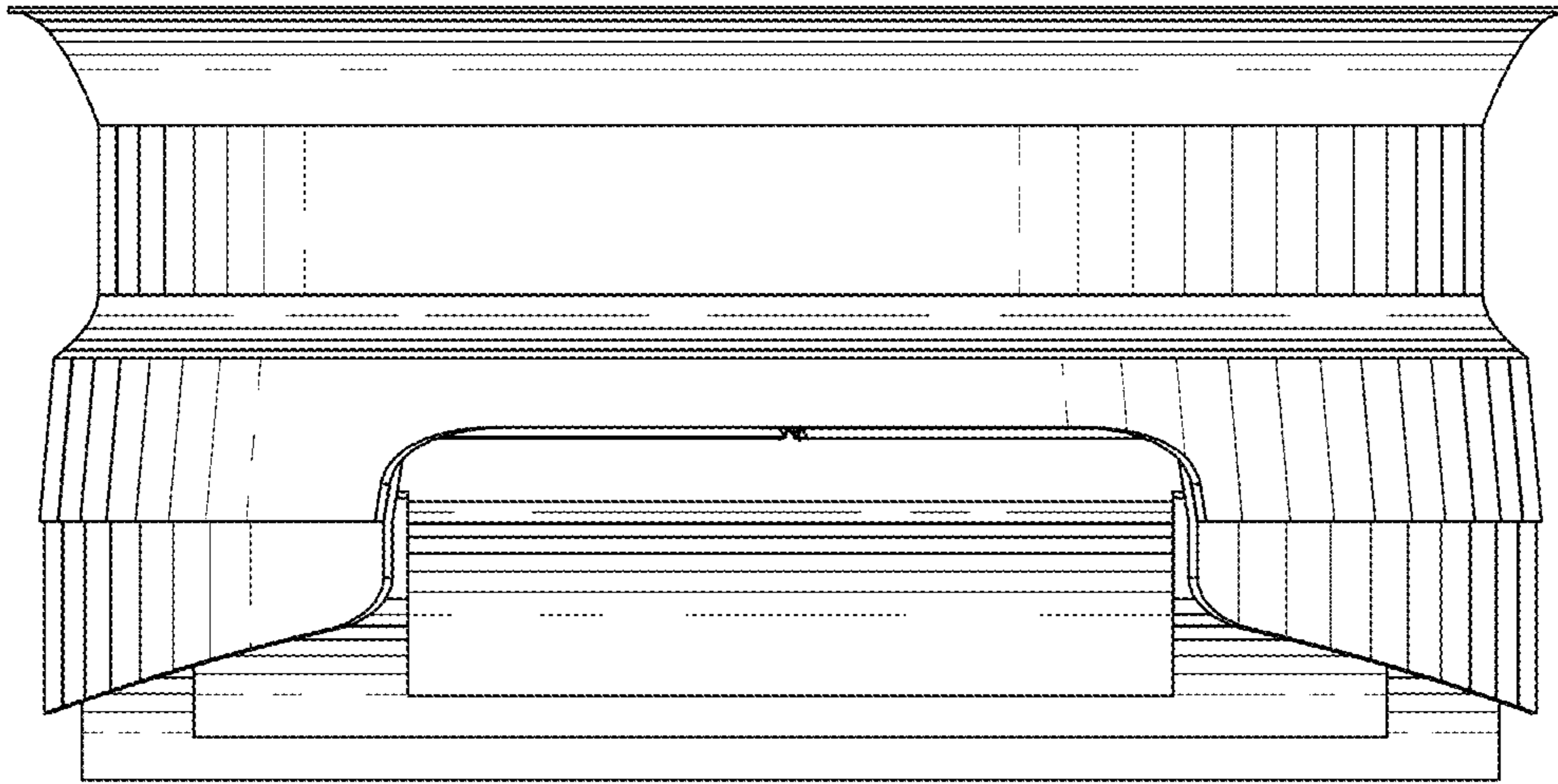


Fig-4

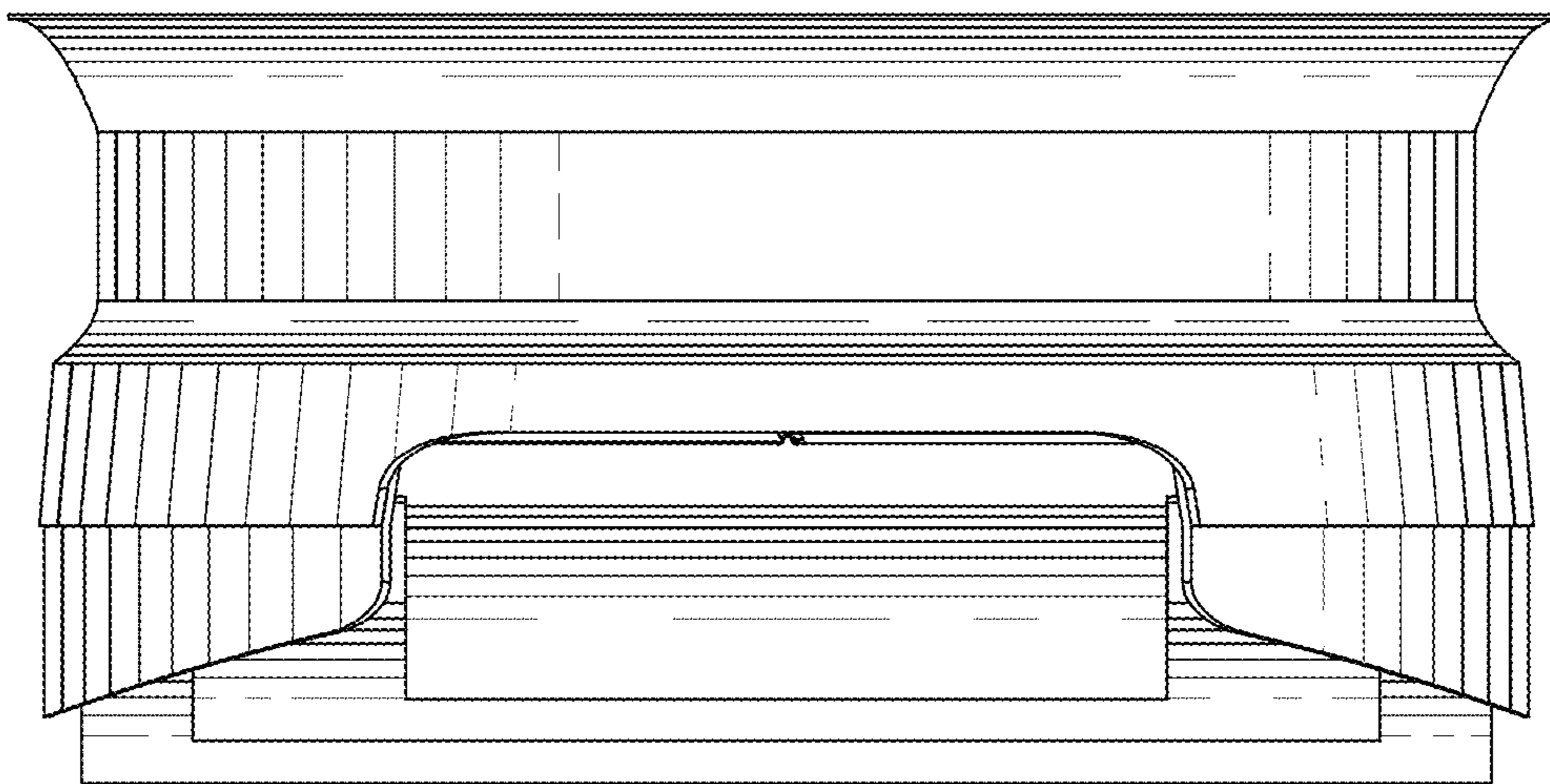


Fig-5

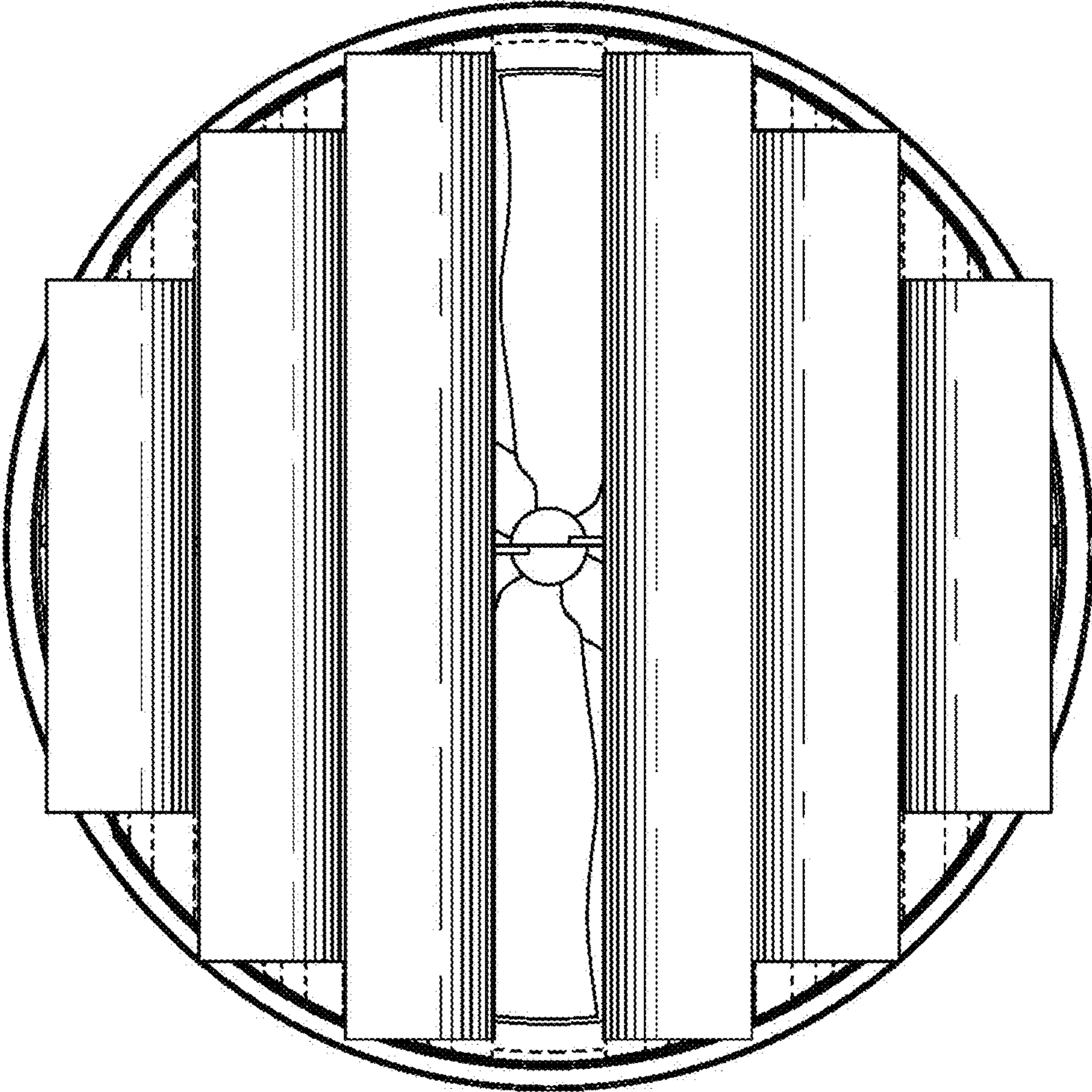


FIG. 6

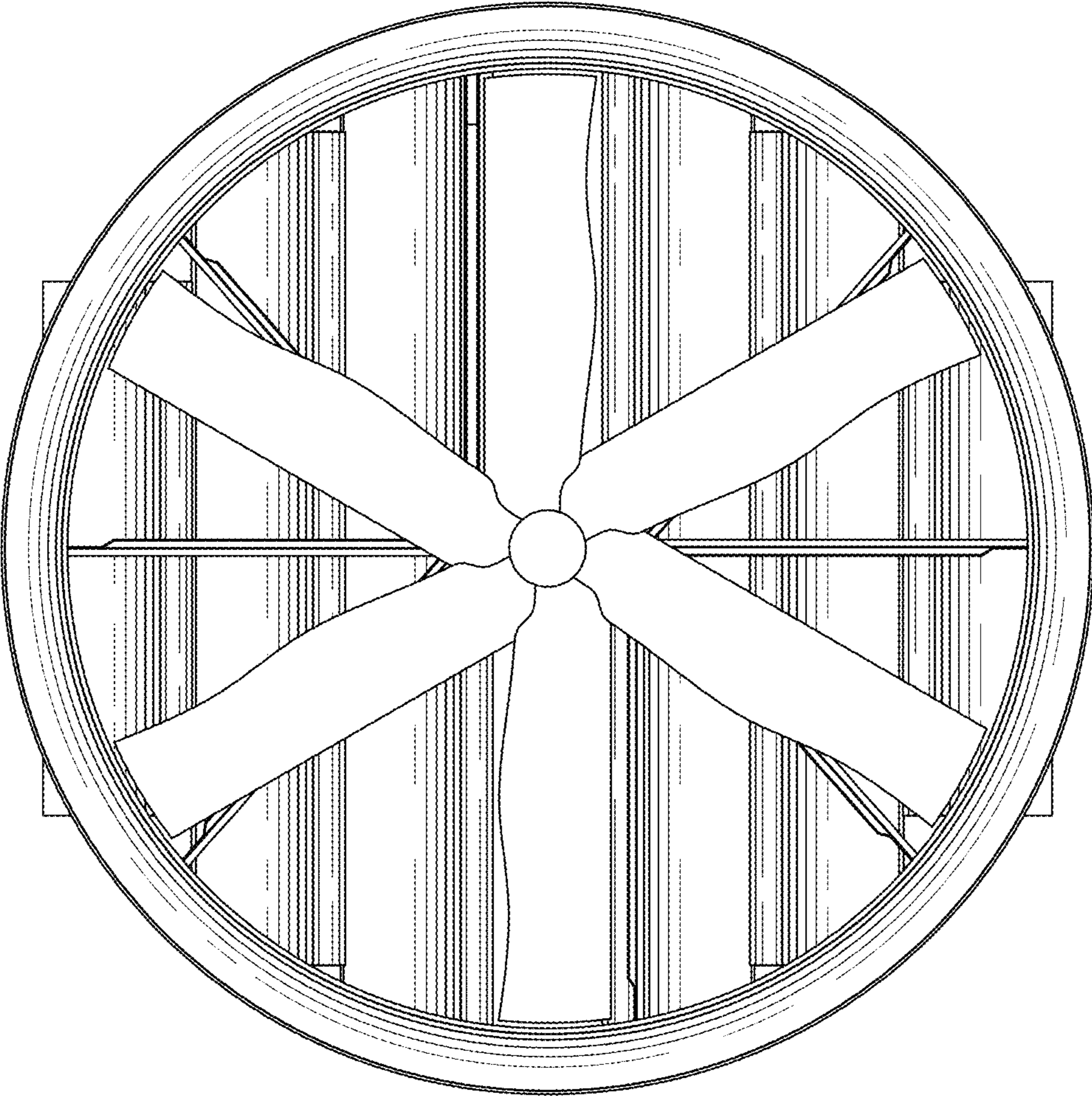


Fig-7