



US00D733281S

(12) **United States Design Patent**
Herbst et al.

(10) **Patent No.:** **US D733,281 S**
(45) **Date of Patent:** **** Jun. 30, 2015**

- (54) **MISTING FAN WITH OBOURND ENCLOSURE**
- (71) Applicant: **O2COOL, LLC**, Chicago, IL (US)
- (72) Inventors: **Scot Herbst**, Santa Cruz, CA (US); **Eric F. Junkel**, Mount Prospect, IL (US)
- (73) Assignee: **O2Cool, LLC**, Chicago, IL (US)
- (**) Term: **14 Years**
- (21) Appl. No.: **29/453,751**
- (22) Filed: **May 2, 2013**
- (51) **LOC (10) Cl.** **23-04**
- (52) **U.S. Cl.**
USPC **D23/379; D23/328**
- (58) **Field of Classification Search**
USPC D23/370–385, 411–414, 365, 364, 328;
415/60, 66, 68, 208.1, 213.1, 214.1;
310/257; 361/695; 126/299 D, 299 R;
239/89, 222.11, 289, 333; 261/28;
416/69, 63; 222/192, 321.9
CPC B05B 3/02; A62C 11/00; B01F 3/04
See application file for complete search history.

D451,994 S *	12/2001	Yuen	D23/379
D507,642 S *	7/2005	Radtke et al.	D23/379
D529,597 S *	10/2006	Mombauer	D23/379
7,204,463 B2 *	4/2007	Cheng	248/200
D548,454 S *	8/2007	Radtke et al.	D3/208
D559,966 S *	1/2008	Kit	D23/379
D561,880 S *	2/2008	Radtke et al.	D23/328
D564,080 S *	3/2008	Chen	D23/328
D565,720 S *	4/2008	Chen	D23/379
8,333,560 B1 *	12/2012	Ward	415/213.1
D698,432 S *	1/2014	Herbst	D23/379
D721,274 S *	1/2015	Herbst	D9/448
2006/0273195 A1 *	12/2006	Junkel	239/222.11

* cited by examiner

Primary Examiner — Susan Bennett Hattan

Assistant Examiner — Janice Hallmark

(74) *Attorney, Agent, or Firm* — Knechtel, Demeur & Samlan

(57) **CLAIM**

We claim the ornamental design for a misting fan with obround enclosure, as shown and described.

DESCRIPTION

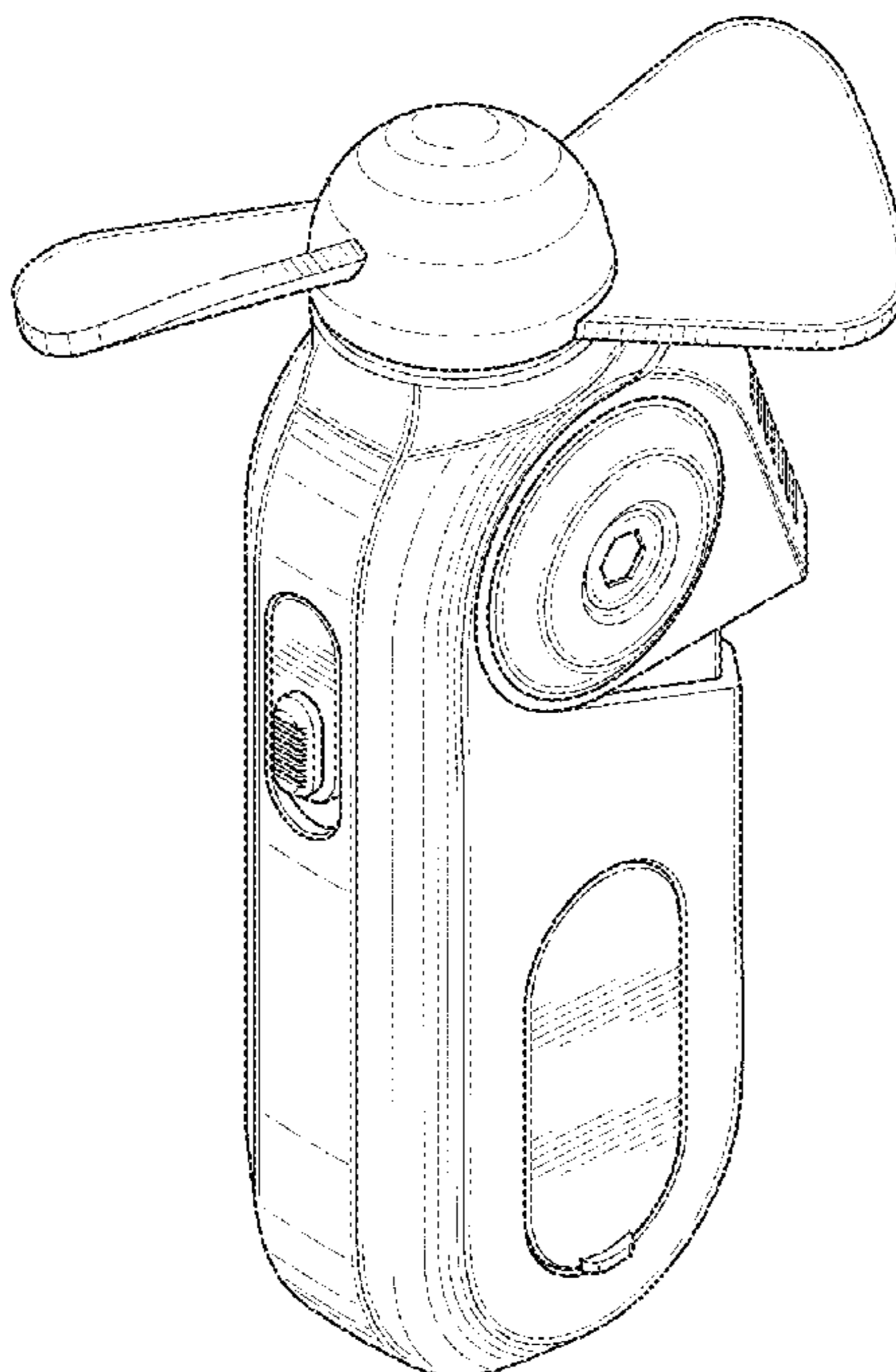
FIG. 1 is a top front right corner perspective view of the misting fan with obround enclosure showing our new design; FIG. 2 is a bottom rear left corner perspective view thereof; FIG. 3 is a rear view thereof; FIG. 4 is a front elevation view thereof; FIG. 5 is a right side view thereof; FIG. 6 is a left side view thereof; FIG. 7 is a top view thereof; and, FIG. 8 is a bottom view thereof.

1 Claim, 7 Drawing Sheets

(56) **References Cited**

U.S. PATENT DOCUMENTS

D334,976 S *	4/1993	Yuen	D23/377
D396,104 S *	7/1998	Radtke	D23/379
D398,386 S *	9/1998	Chan	D23/324
5,851,106 A *	12/1998	Steiner et al.	416/63
6,109,874 A *	8/2000	Steiner et al.	416/63
D451,992 S *	12/2001	Yuen	D23/377



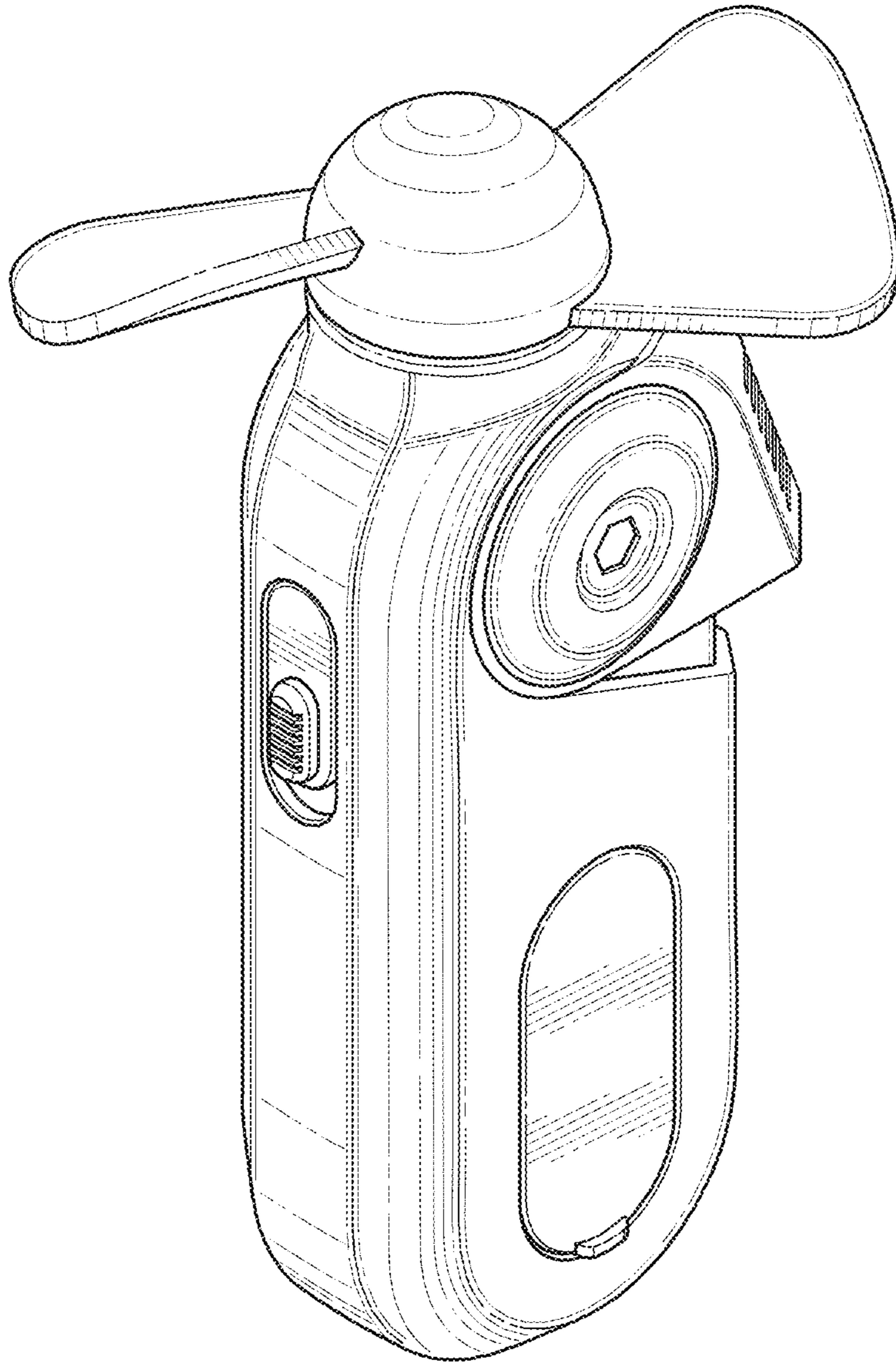


FIG. 1

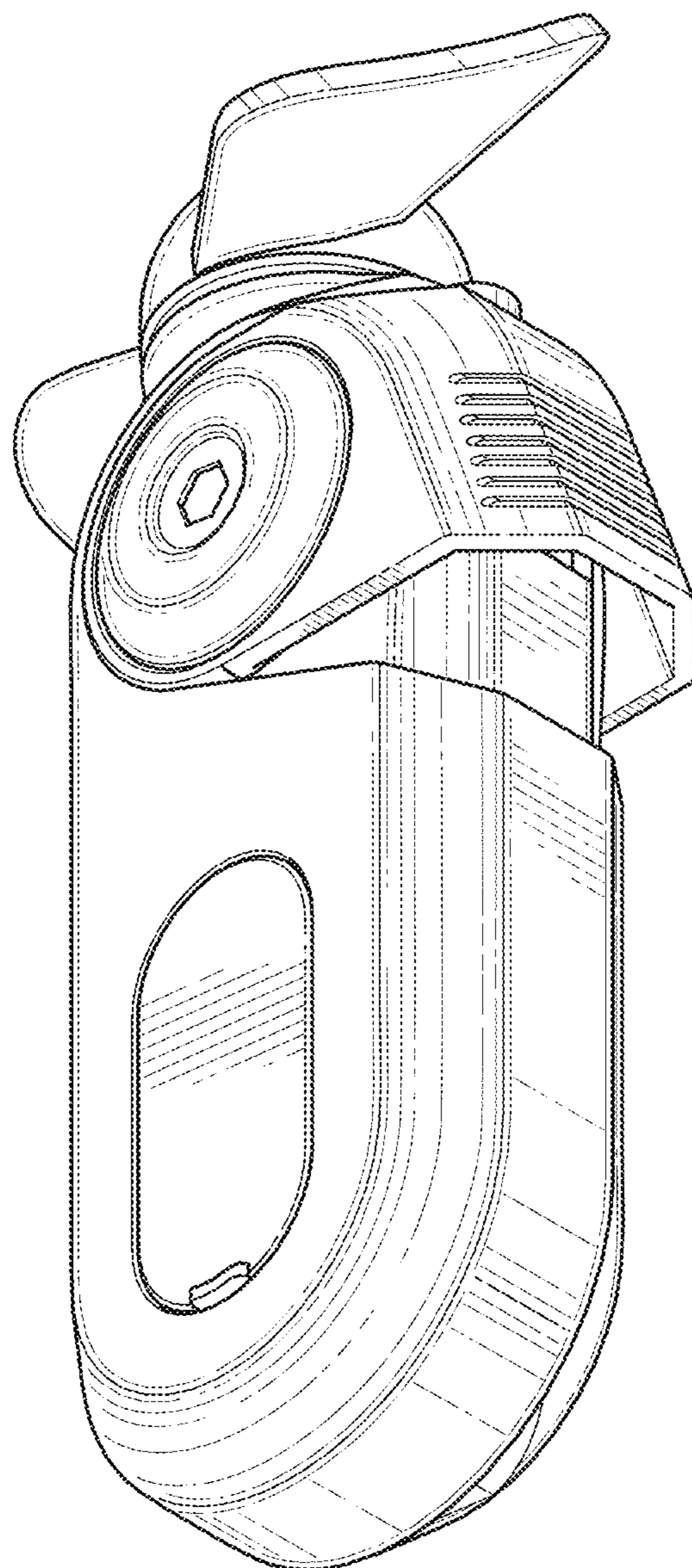


FIG. 2

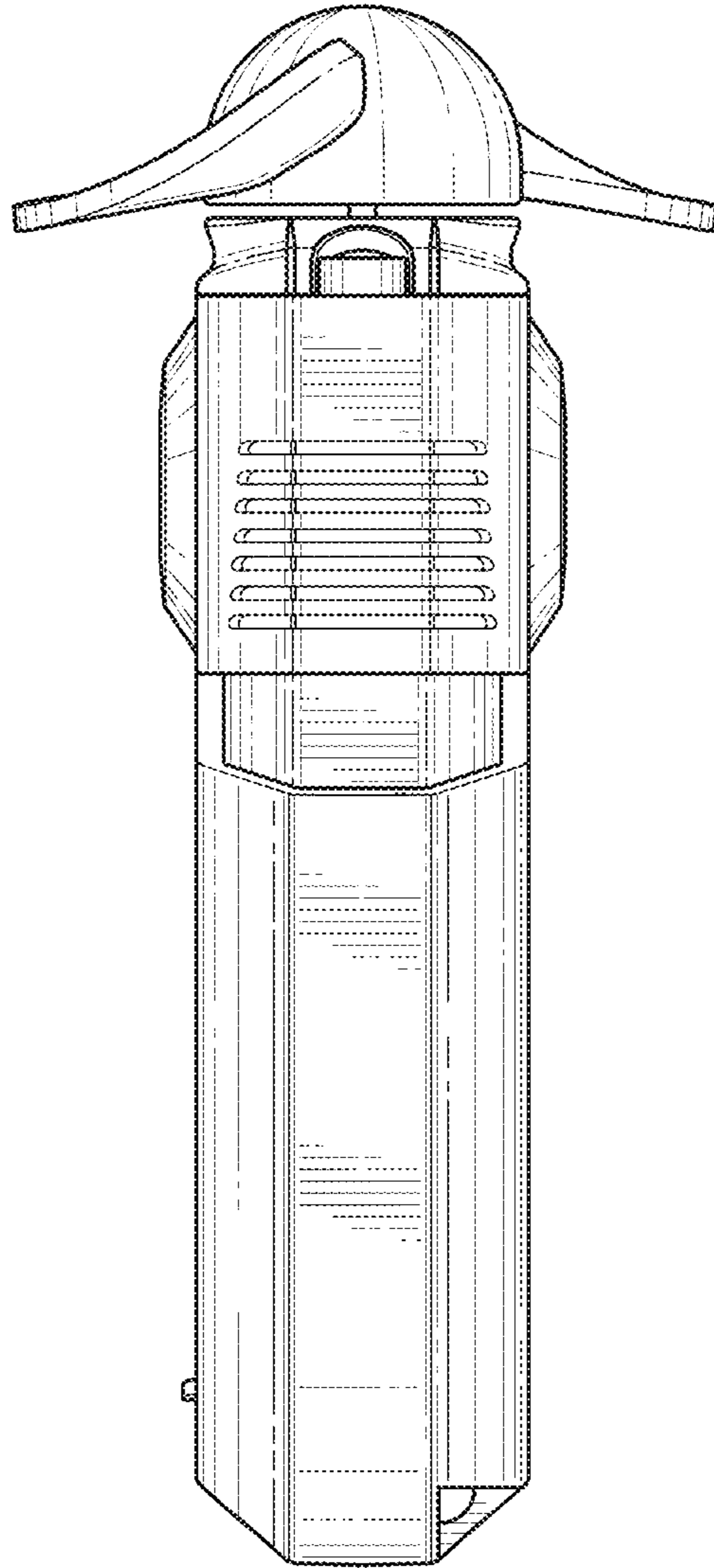


FIG. 3

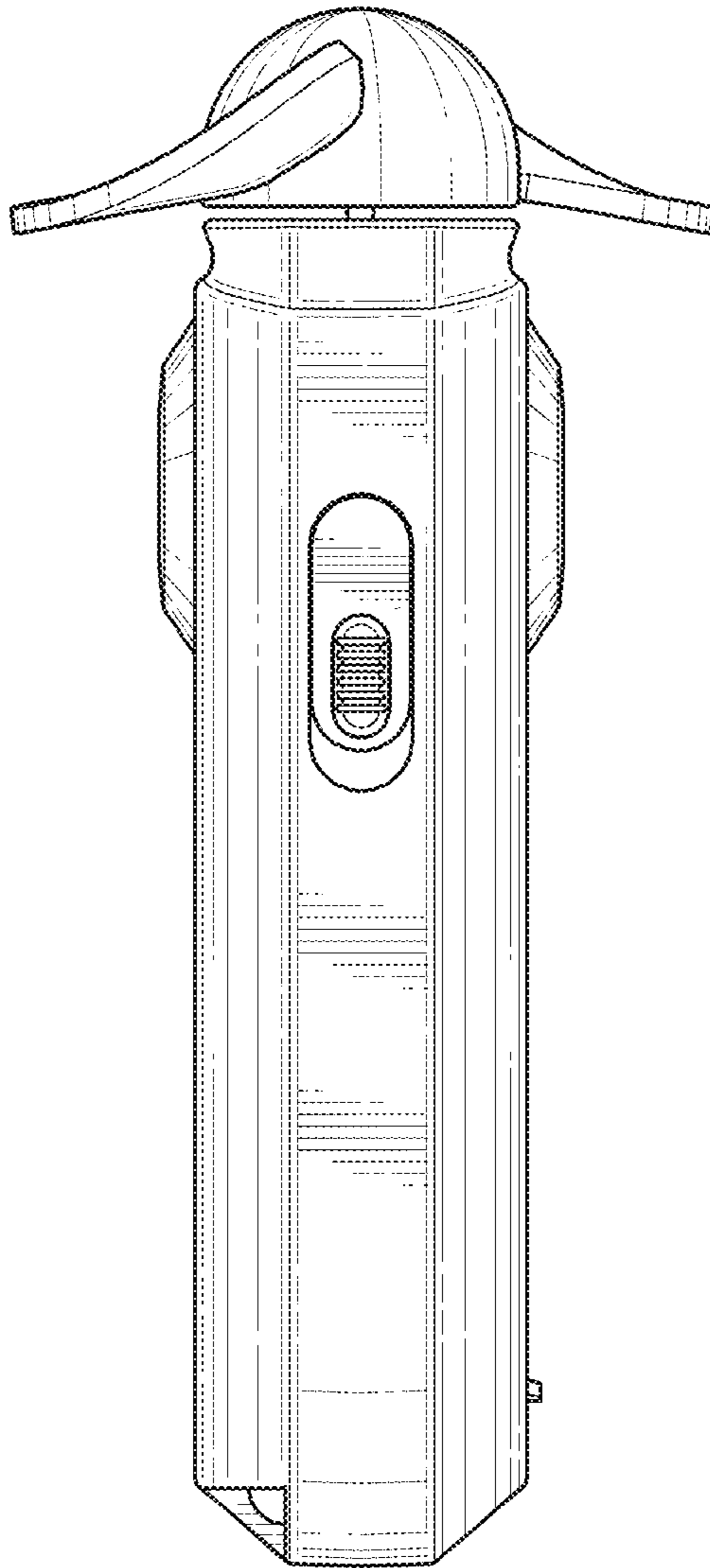


FIG. 4

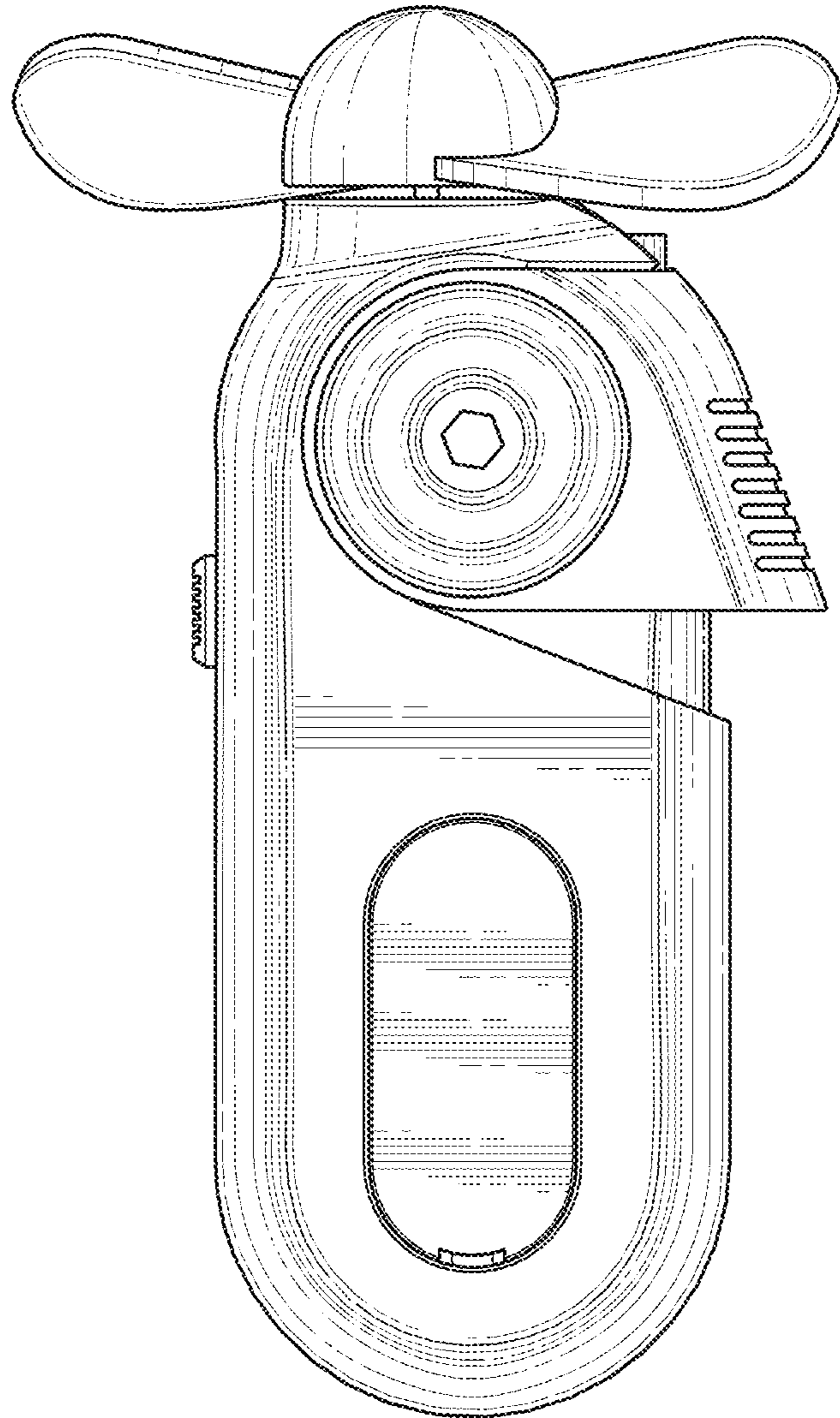


FIG. 5

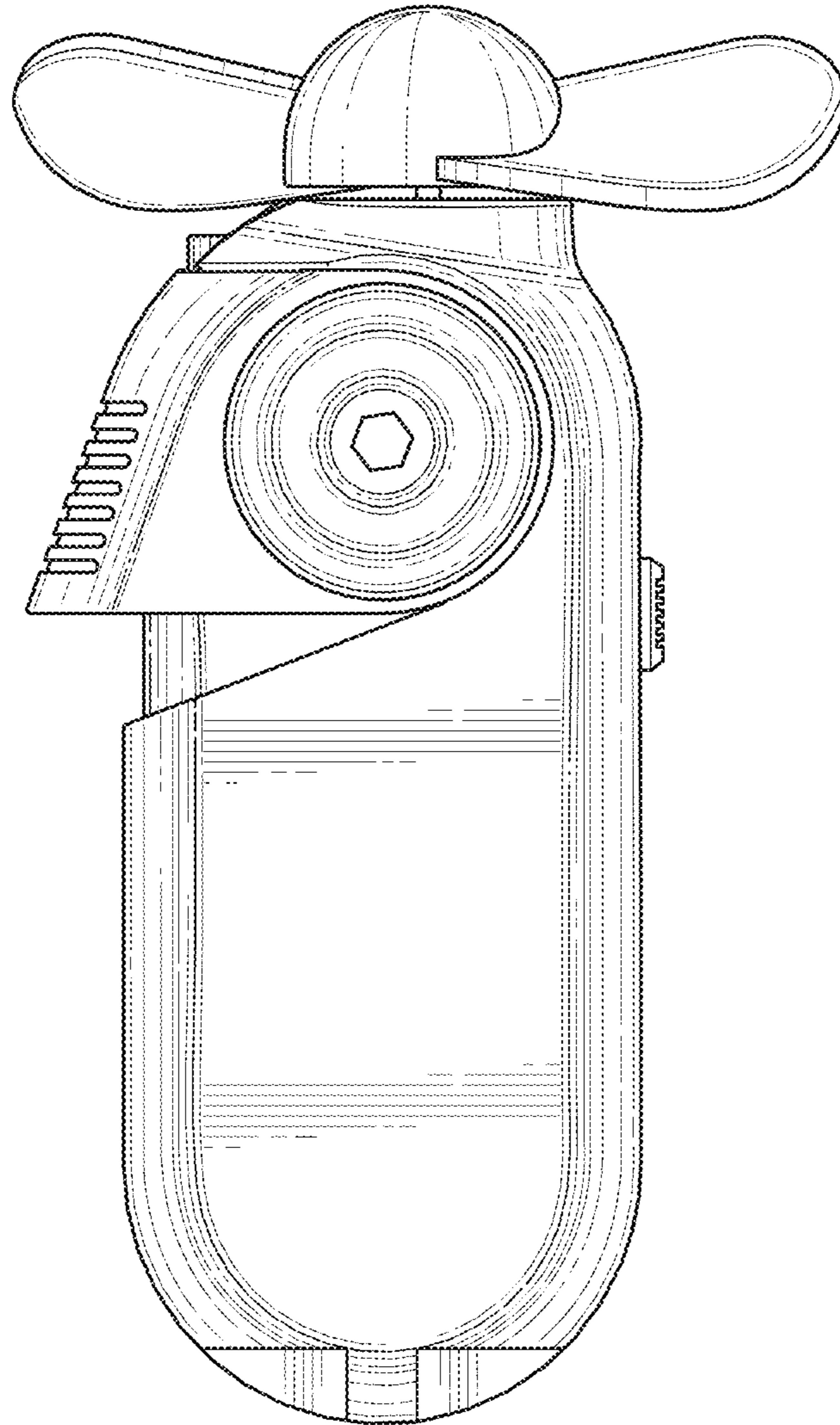


FIG. 6

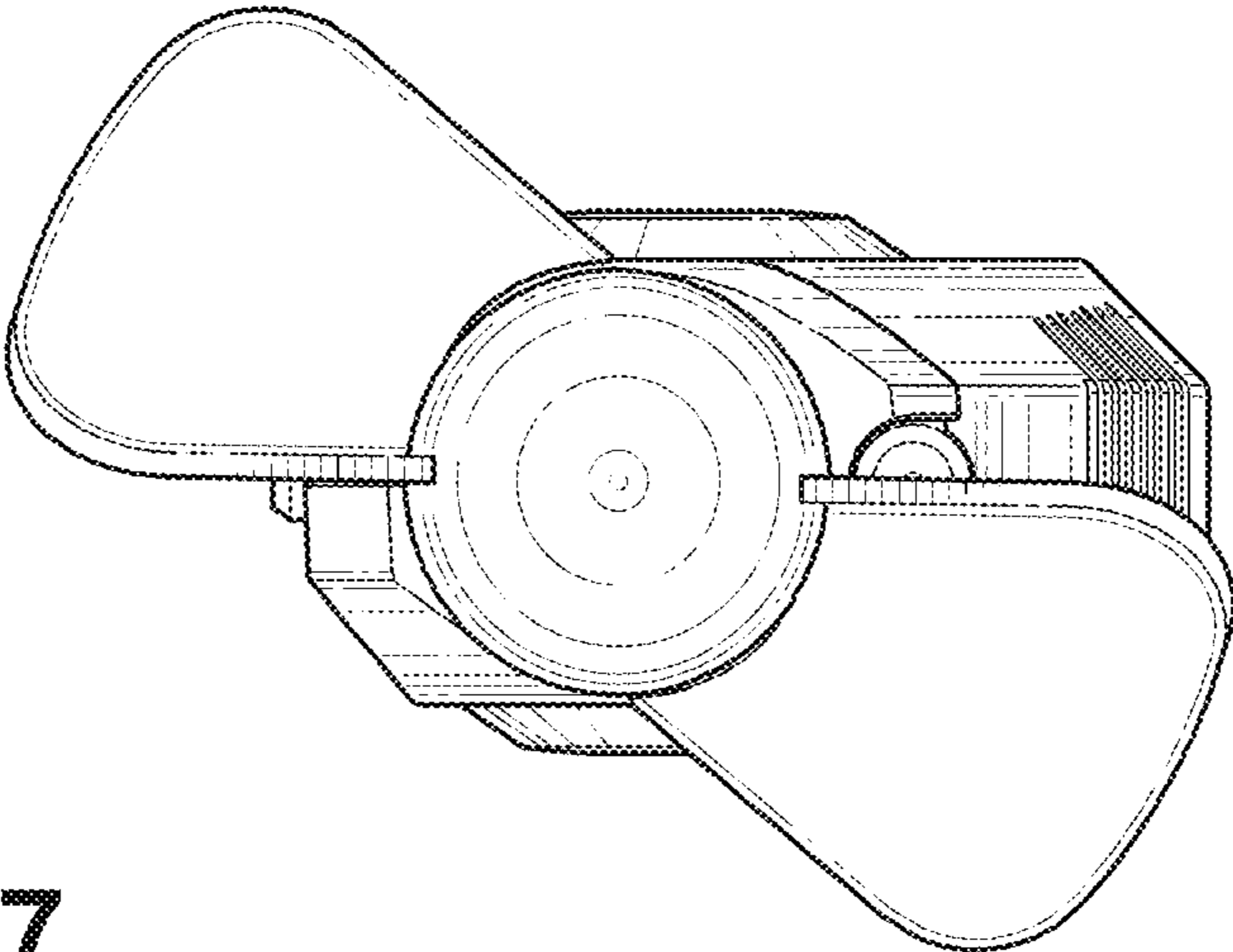


FIG. 7

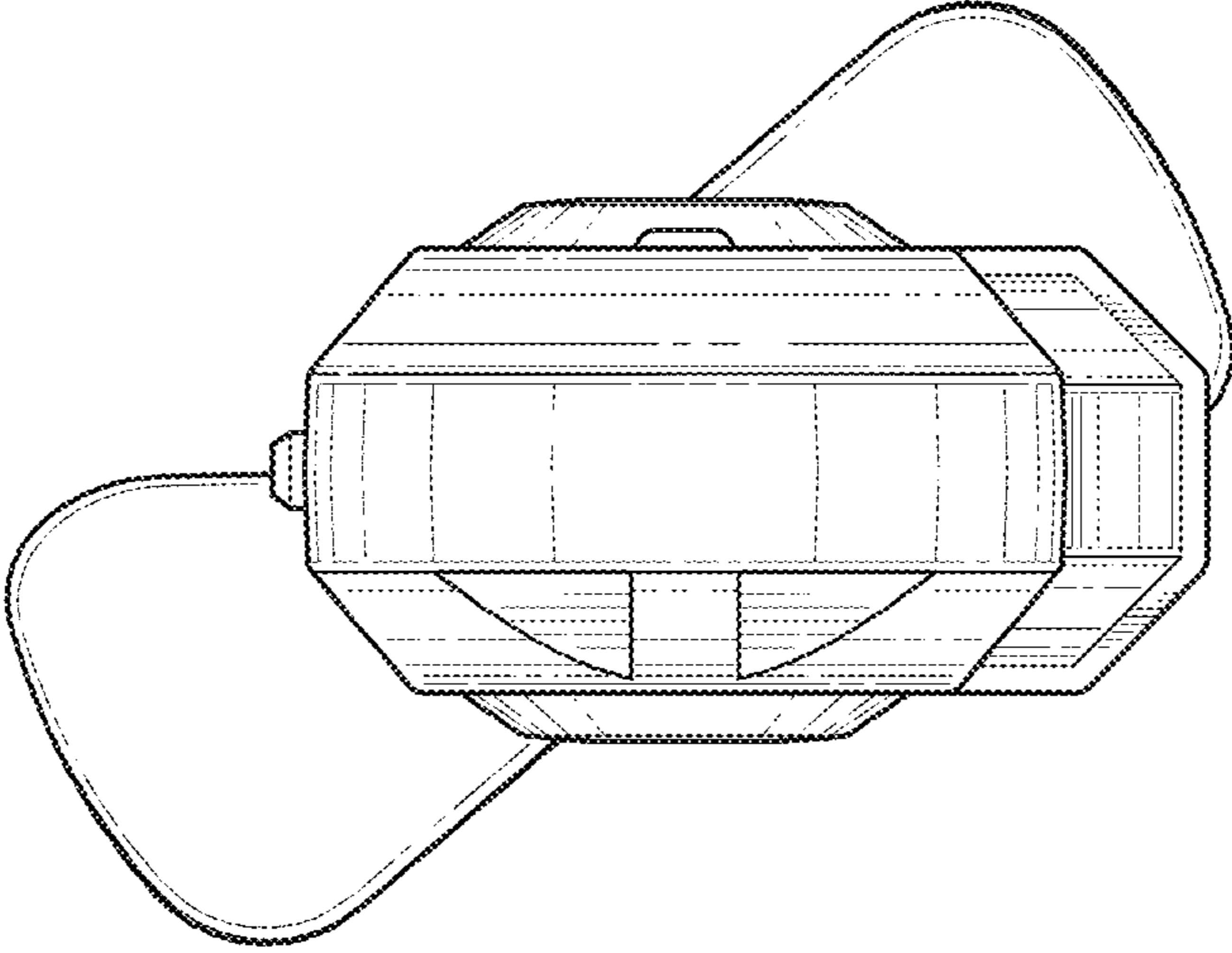


FIG. 8