

US00D733280S

(12) **United States Design Patent**
Bourne

(10) **Patent No.:** **US D733,280 S**
(45) **Date of Patent:** **** Jun. 30, 2015**

(54) **VENT STICK AIR FRESHENER**
(71) Applicant: **American Covers, Inc.**, Draper, UT (US)
(72) Inventor: **Christopher Bourne**, Draper, UT (US)
(73) Assignee: **American Covers, Inc.**, Draper, UT (US)
(**) Term: **14 Years**

5,762,549 A 6/1998 Scheuer et al.
D397,603 S * 9/1998 Eggert et al. D8/107
5,861,128 A 1/1999 Vick et al.
5,899,382 A 5/1999 Hayes et al.
D411,002 S 6/1999 Farmer
D415,268 S 10/1999 Farmer
D417,727 S 12/1999 Christianson
6,123,906 A 9/2000 Farmer
D437,038 S 1/2001 Chuan
D437,041 S 1/2001 Eisenbraun
6,190,607 B1 2/2001 Farmer
6,197,263 B1 3/2001 Blount
6,264,887 B1 7/2001 Farmer
6,416,043 B1 7/2002 Eisenbraun

(21) Appl. No.: **29/494,602**

(Continued)

(22) Filed: **Jun. 23, 2014**

OTHER PUBLICATIONS

(51) **LOC (10) Cl.** **28-99**

http://shop.advanceautoparts.com/webapp/wes/stores/servlet/product_6170795-P_N3004 . . . Advance Auto Part; Arometrics Dual-Scent Vent-Juicy Strawberry and Vanilla; 1 Page; accessed Dec. 10, 2010.

(52) **U.S. Cl.**

USPC **D23/366**; D28/5

(58) **Field of Classification Search**

USPC D23/355-369; D28/5, 6; 261/DIG. 17, 261/DIG. 42, DIG. 65, DIG. 88, DIG. 89; 392/386, 390, 394, 395; 239/34, 44, 239/53, 55, 56, 326
CPC A61L 9/00; A61L 9/02; A61L 9/03; A61L 9/032; A61L 9/037; A61L 9/04; A61L 9/12; A61L 9/22
See application file for complete search history.

(Continued)

Primary Examiner — Sandra Snapp
(74) *Attorney, Agent, or Firm* — Thorpe North & Western, LLP

(57) **CLAIM**

The ornamental design for the vent stick air freshener, as shown.

(56) **References Cited**

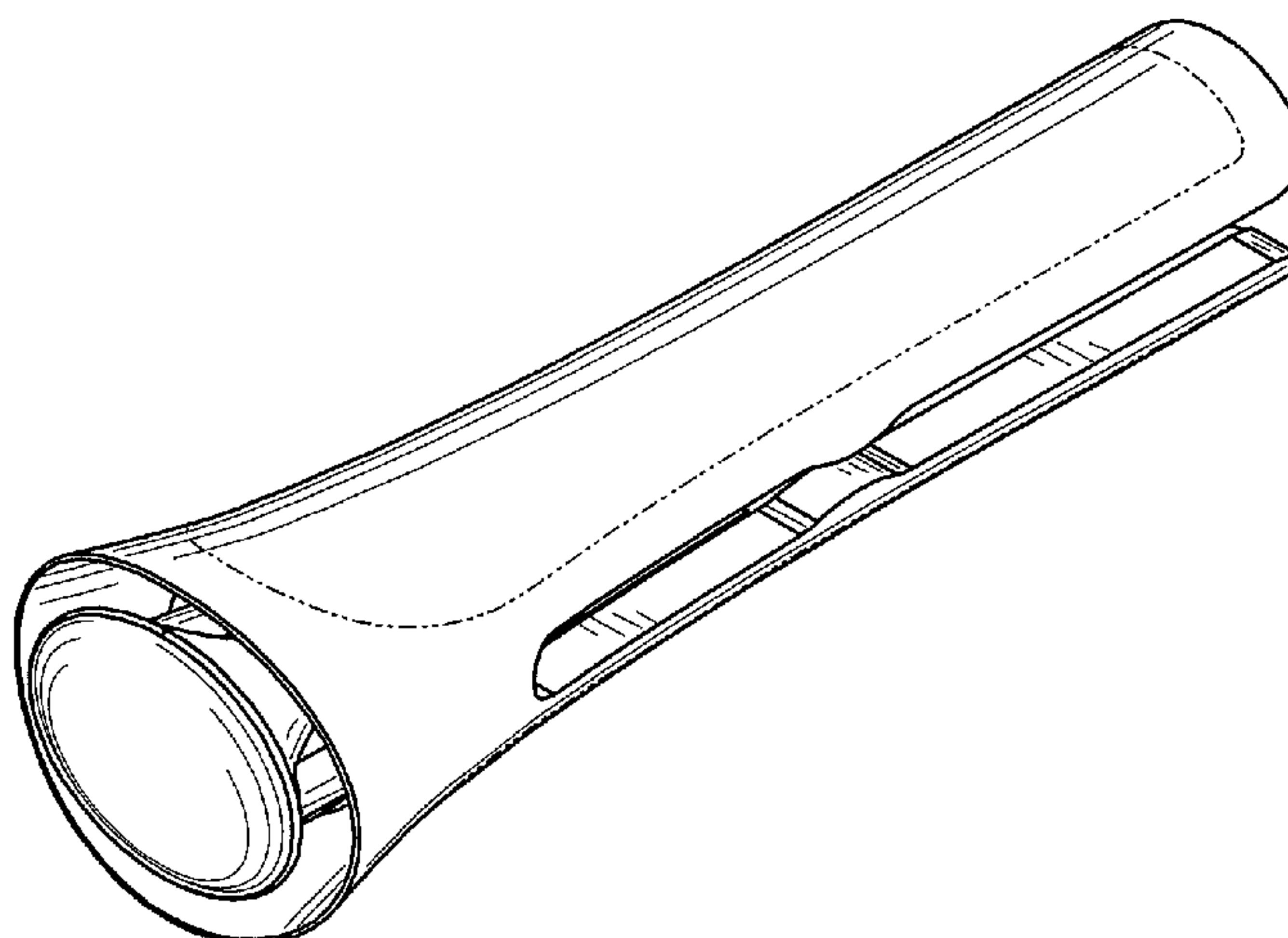
U.S. PATENT DOCUMENTS

1,683,545 A 9/1928 Harris
3,847,305 A 11/1974 Tobin
D250,041 S 10/1978 Schimanski
4,149,675 A 4/1979 Van Breen et al.
4,226,944 A 10/1980 Stone et al.
RE32,834 E 1/1989 Cordits et al.
4,808,347 A 2/1989 Dawn
5,368,822 A 11/1994 McNeil
5,422,078 A 6/1995 Colon
5,651,522 A * 7/1997 Davis et al. 248/221.11
5,704,832 A 1/1998 Borrell

DESCRIPTION

FIG. 1 is a perspective view of the vent stick air freshener in accordance with my invention;
FIG. 2 is a top plan view thereof;
FIG. 3 is a bottom plan view thereof;
FIG. 4 is a right side elevation view thereof;
FIG. 5 is a left side elevation view thereof;
FIG. 6 is a front elevation view thereof; and,
FIG. 7 is a rear elevation view thereof.

1 Claim, 2 Drawing Sheets



(56)

References Cited

U.S. PATENT DOCUMENTS

D507,341 S 7/2005 Taylor
 7,137,570 B2 11/2006 Wheatley
 7,159,792 B2 1/2007 Wheatley et al.
 7,293,719 B2 11/2007 Wheatley
 D594,953 S 6/2009 King et al.
 D594,954 S 6/2009 Wheatley
 D604,825 S 11/2009 Brandenburg
 7,687,037 B2 3/2010 Wheatley et al.
 7,687,038 B2 3/2010 Wheatley et al.
 D619,692 S 7/2010 Hami et al.
 D619,693 S 7/2010 Hami et al.
 D619,694 S 7/2010 Hami et al.
 D620,573 S 7/2010 Hami et al.
 D625,798 S 10/2010 Hami et al.
 D640,359 S 6/2011 Irvin
 D640,781 S 6/2011 Brandenburg
 D650,892 S 12/2011 Wheatley et al.
 8,147,761 B2 4/2012 Wheatley et al.
 D667,100 S 9/2012 Hakim
 D684,675 S 6/2013 Irvin et al.
 8,460,609 B1 6/2013 Wheatley et al.
 8,480,960 B2 7/2013 Wheatley et al.
 D699,334 S * 2/2014 Alesi et al. D23/366
 8,685,330 B2 4/2014 Irvin et al.

D712,022 S * 8/2014 Hakim D23/366
 2003/0202922 A1 * 10/2003 Farmer 422/306
 2005/0169793 A1 8/2005 Wheatley et al.
 2006/0279008 A1 12/2006 Jurisch
 2010/0065654 A1 3/2010 Wheatley et al.
 2011/0108632 A1 5/2011 Brandenburg et al.

OTHER PUBLICATIONS

http://www.bestliquidations.com/Medo_Vent_Frehser.htm:
 BestLiquidations.com; Medo Vent Fresh Air Fresheners; 2 pages;
 accessed Dec. 10, 2010.
 Medo® Air Fresheners; Auto Expressions™ 2005 Product Catalog;
 25 pages.
 Pictures (3) of Medo® auto Expressions Vent™ Air Freshener dis-
 tributed by SOPUS Products of Moorpark, CA 2003 copyright date
 on package.
www.chicscents.com/Products.aspx Island Adventure Sandals; 2
 pages; accessed Feb. 1, 2011.
www.chicscents.com/Products.aspx ; Inspiration 3-D by Chic; 2
 pages; accessed Feb. 1, 2011.
[www.autothing.com/Produts/Air%20Fresheners/air%20freshener-
 clip.htm](http://www.autothing.com/Produts/Air%20Fresheners/air%20freshener-clip.htm) ; Air Fresheners Fresh Scents for your mobile life, Clip-on
 Air Vent Clips from Eagle O, Accessed Aug. 12, 2008, 1 page.
 U.S. Appl. No. 14/281,345, filed May 19, 2014; Christopher Bourne.

* cited by examiner

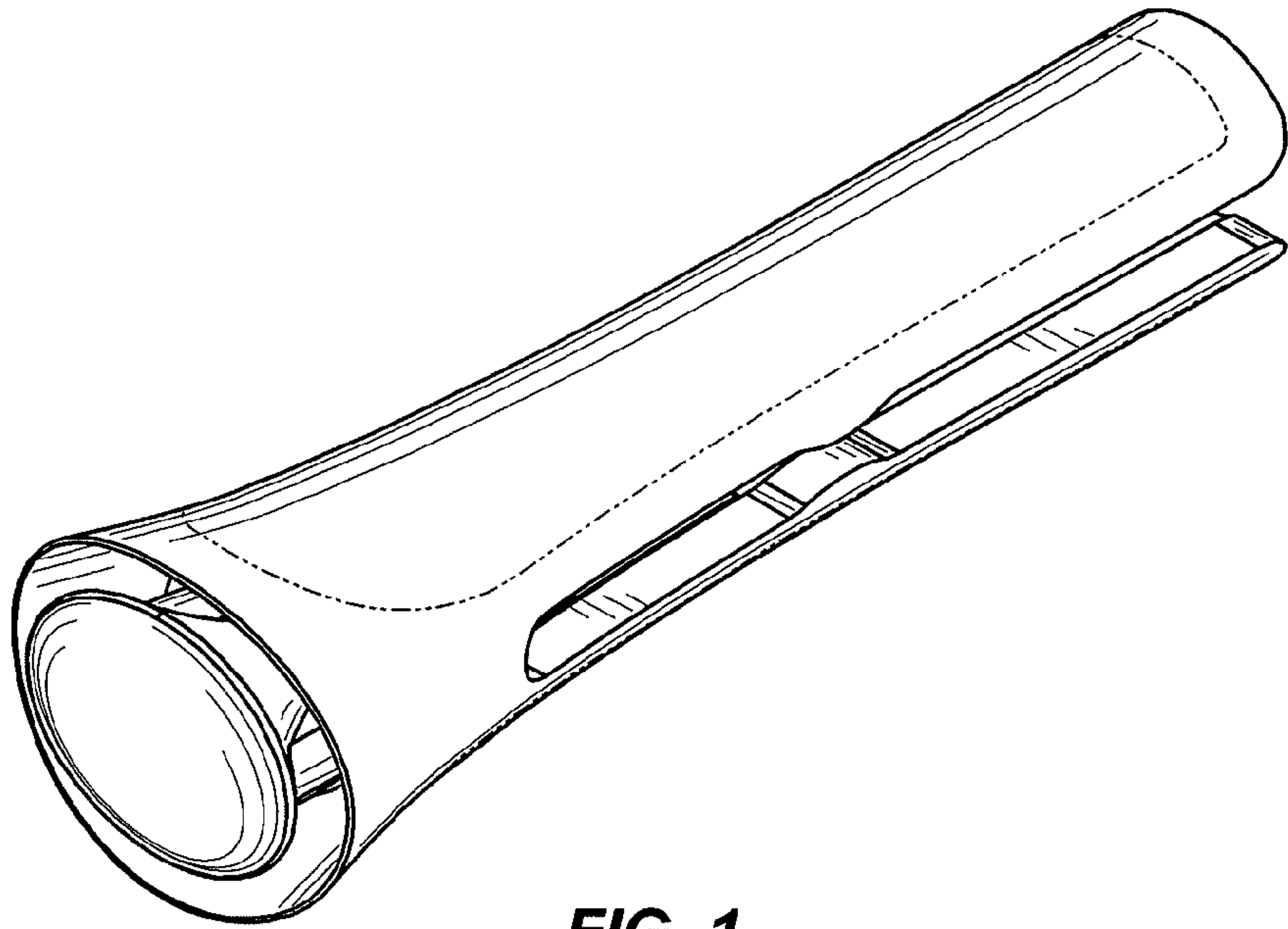


FIG. 1

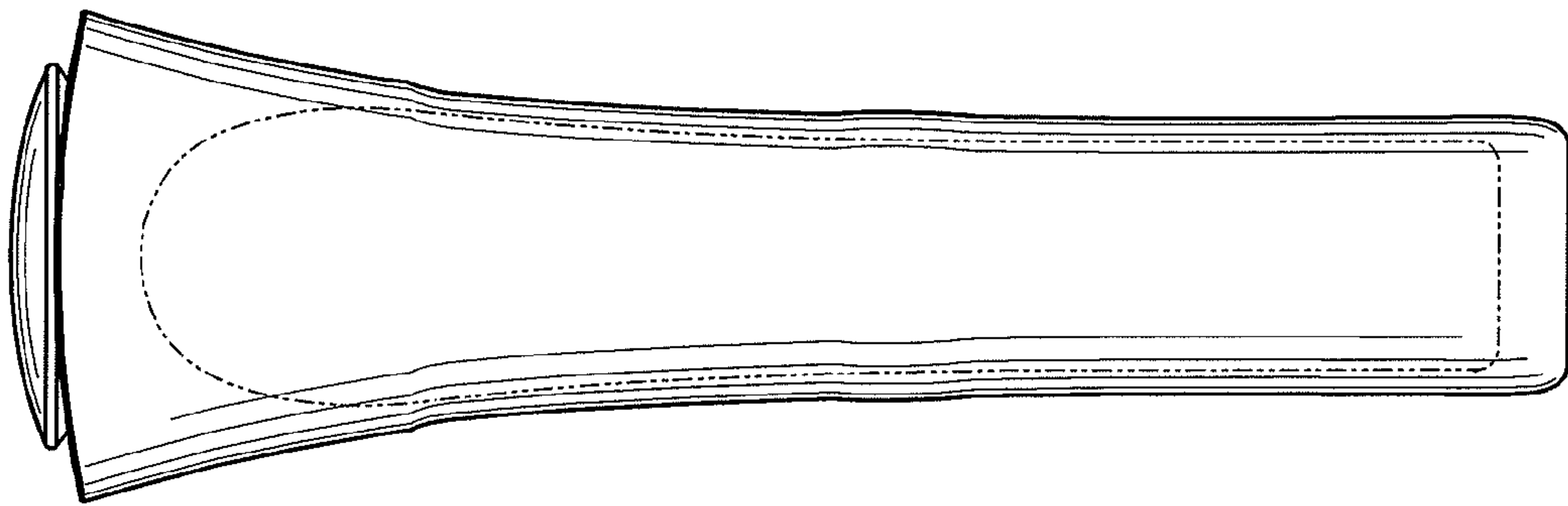


FIG. 2

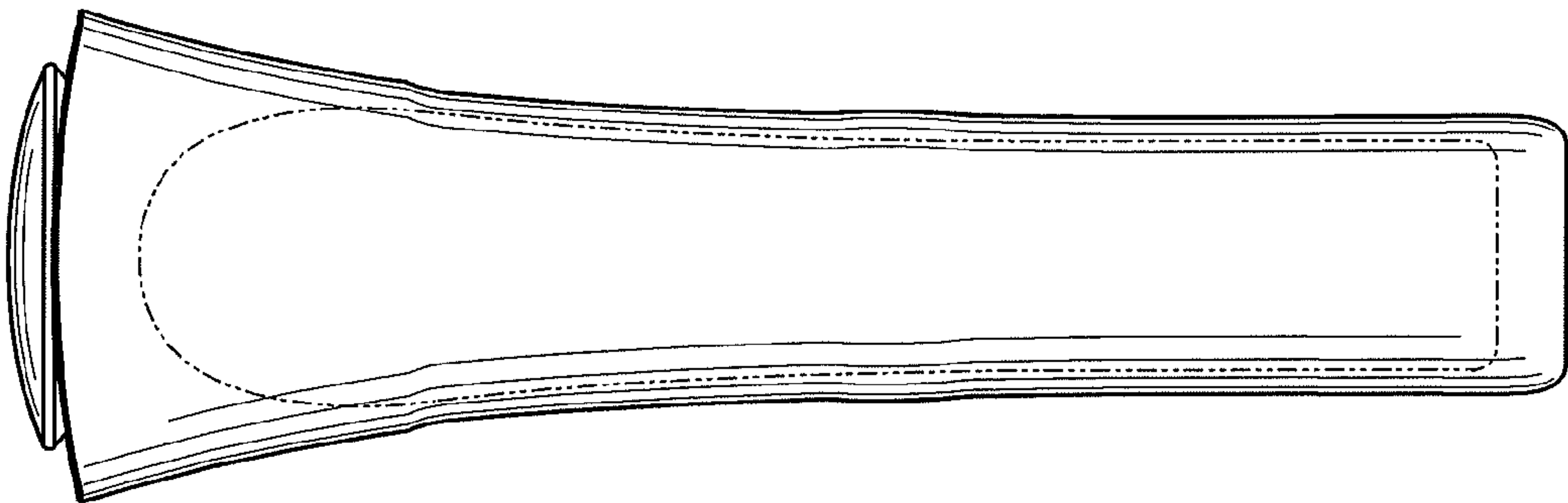


FIG. 3

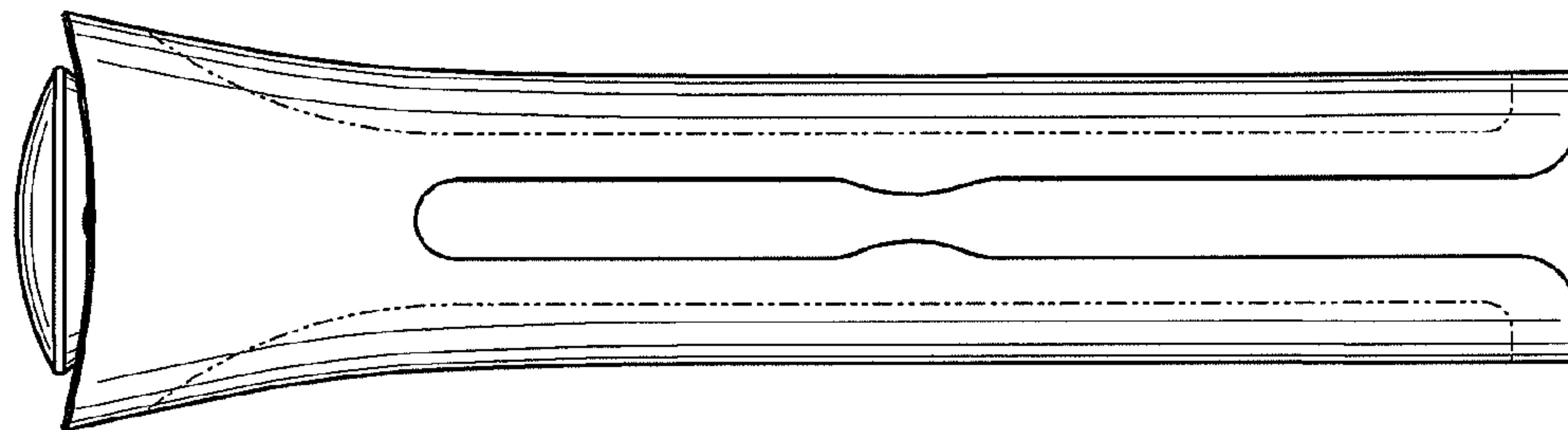


FIG. 4

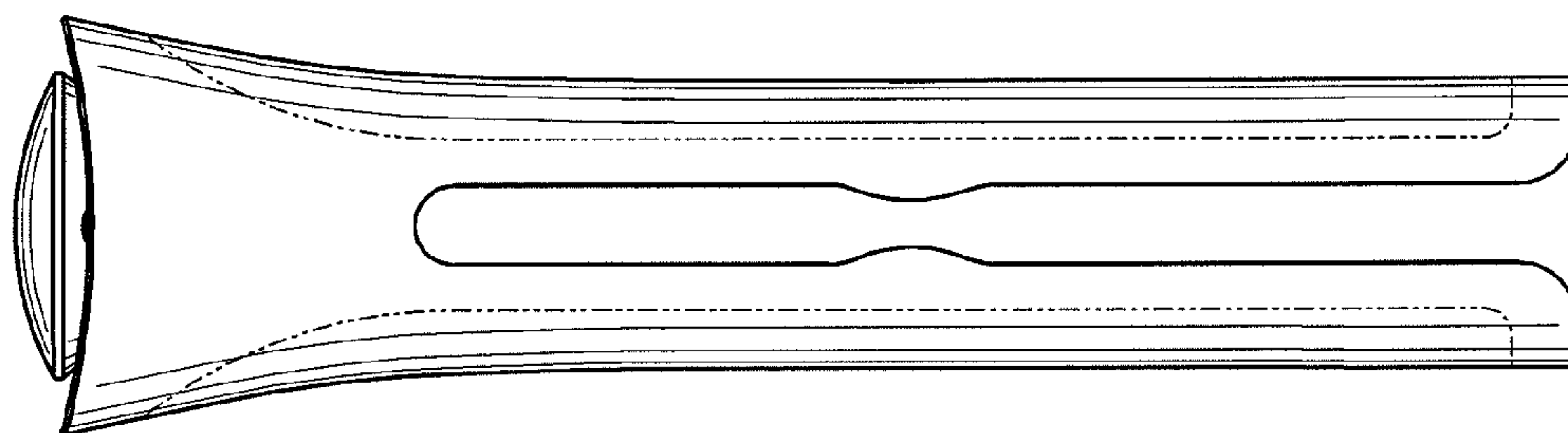


FIG. 5

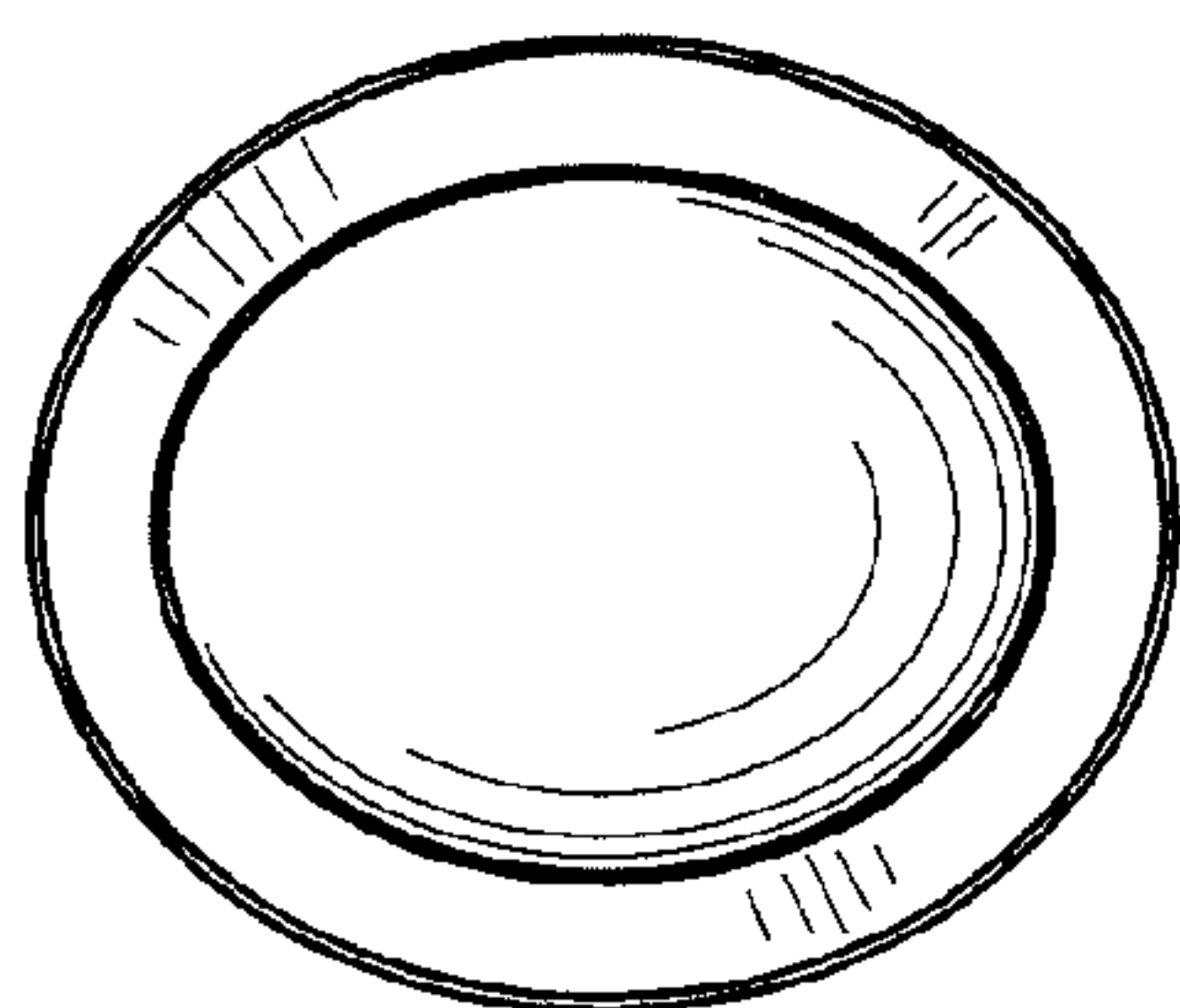


FIG. 6

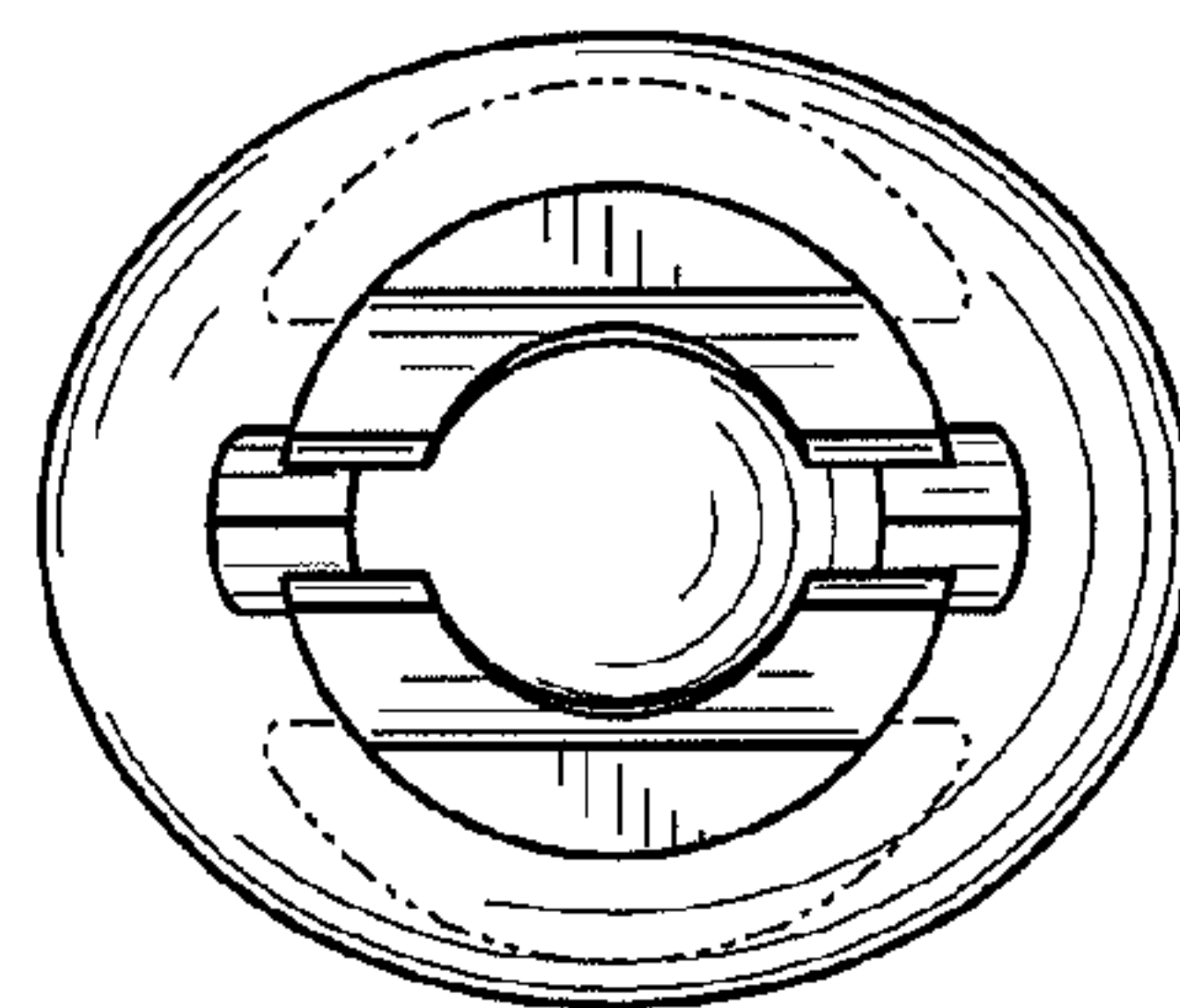


FIG. 7