



US00D733273S

(12) **United States Design Patent**
Jeon et al.

(10) **Patent No.:** **US D733,273 S**
(45) **Date of Patent:** **** Jun. 30, 2015**

(54) **AIR CONDITIONER**

(71) Applicant: **Samsung Electronics Co., Ltd.**,
Suwon-si, Gyeonggi-do (KR)
(72) Inventors: **Sei-ill Jeon**, Gimposi (KR); **Jang hee**
Youn, Daejeon (KR); **Nam Sunwoo**,
Seoul (KR)

(73) Assignee: **SAMSUNG ELECTRONICS CO.,**
LTD. (KR)

(**) Term: **14 Years**

(21) Appl. No.: **29/478,254**

(22) Filed: **Jan. 2, 2014**

(30) **Foreign Application Priority Data**

Jul. 4, 2013 (KR) 30-2013-0034459

(51) **LOC (10) Cl.** **23-01**

(52) **U.S. Cl.**
USPC **D23/333**

(58) **Field of Classification Search**
USPC D23/333, 351-354, 364; 62/262-263,
62/259.1, 261, 297, 324.1, 371, 401,
62/457.1; 312/31, 401, 236, 249.1
See application file for complete search history.

(56) **References Cited**

U.S. PATENT DOCUMENTS

D319,306 S *	8/1991	Yamazaki et al.	D23/351
D367,525 S *	2/1996	Gruebel	D23/351
D374,920 S *	10/1996	Muller et al.	D23/354
D419,230 S *	1/2000	Cicccone	D23/333
D529,594 S *	10/2006	Pruitt	D23/351
D547,849 S *	7/2007	Francisquini	D23/351
D557,788 S *	12/2007	Eloranta	D23/386

* cited by examiner

Primary Examiner — Brian N Vinson

(74) *Attorney, Agent, or Firm* — Cantor Colburn LLP

(57) **CLAIM**

We claim, the ornamental design for an air conditioner, as shown and described.

DESCRIPTION

FIG. 1 is a front perspective view of an air conditioner showing our new design; FIG. 2 is a front view thereof; FIG. 3 is a rear view thereof; FIG. 4 is a side view thereof; FIG. 5 is another side view thereof; FIG. 6 is a top plan view thereof; FIG. 7 is a bottom plan view thereof; and, FIG. 8 is a front perspective view thereof as shown in another configuration. The broken lines are for environmental purposes only and form no part of the claimed design.

1 Claim, 8 Drawing Sheets

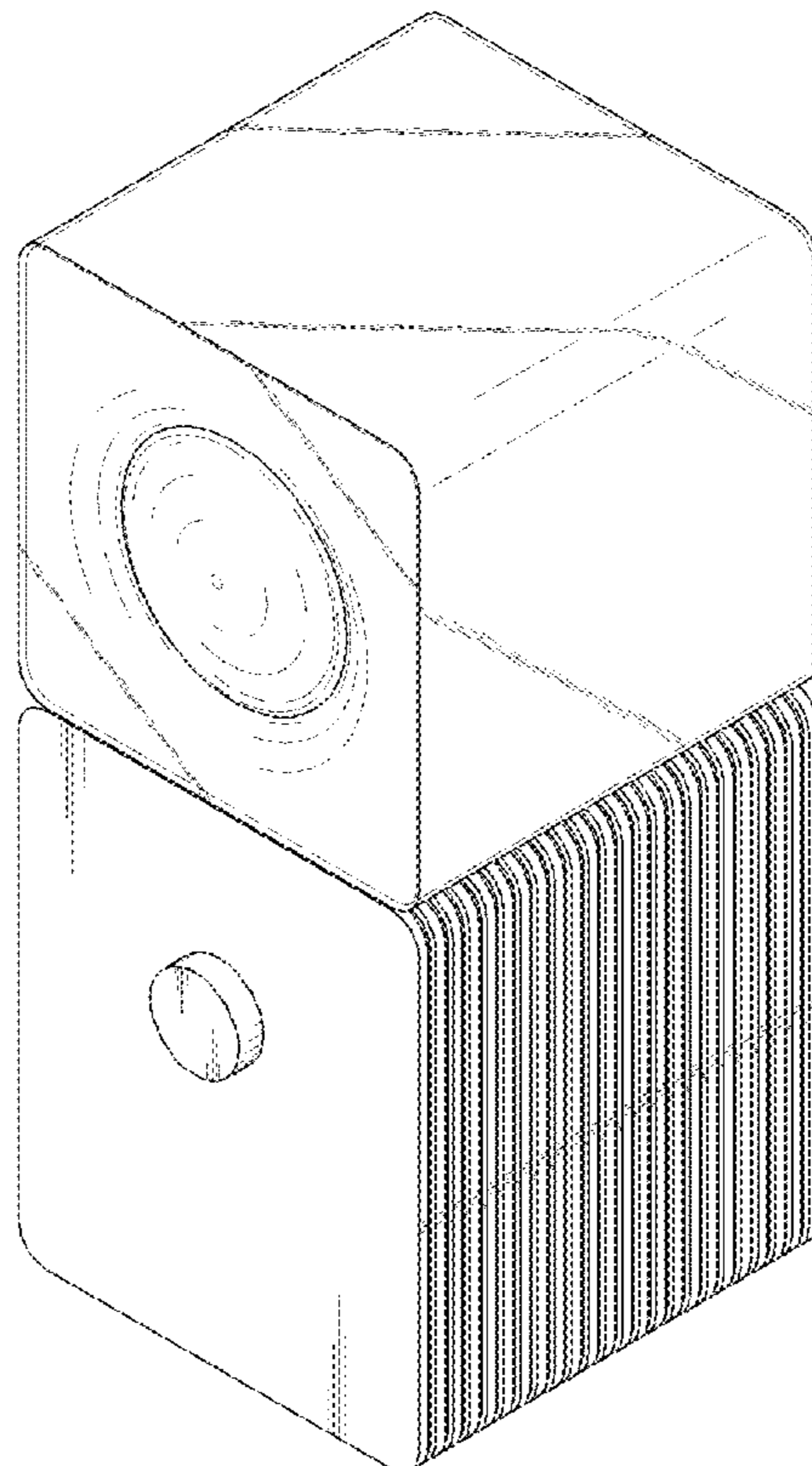


Fig. 1

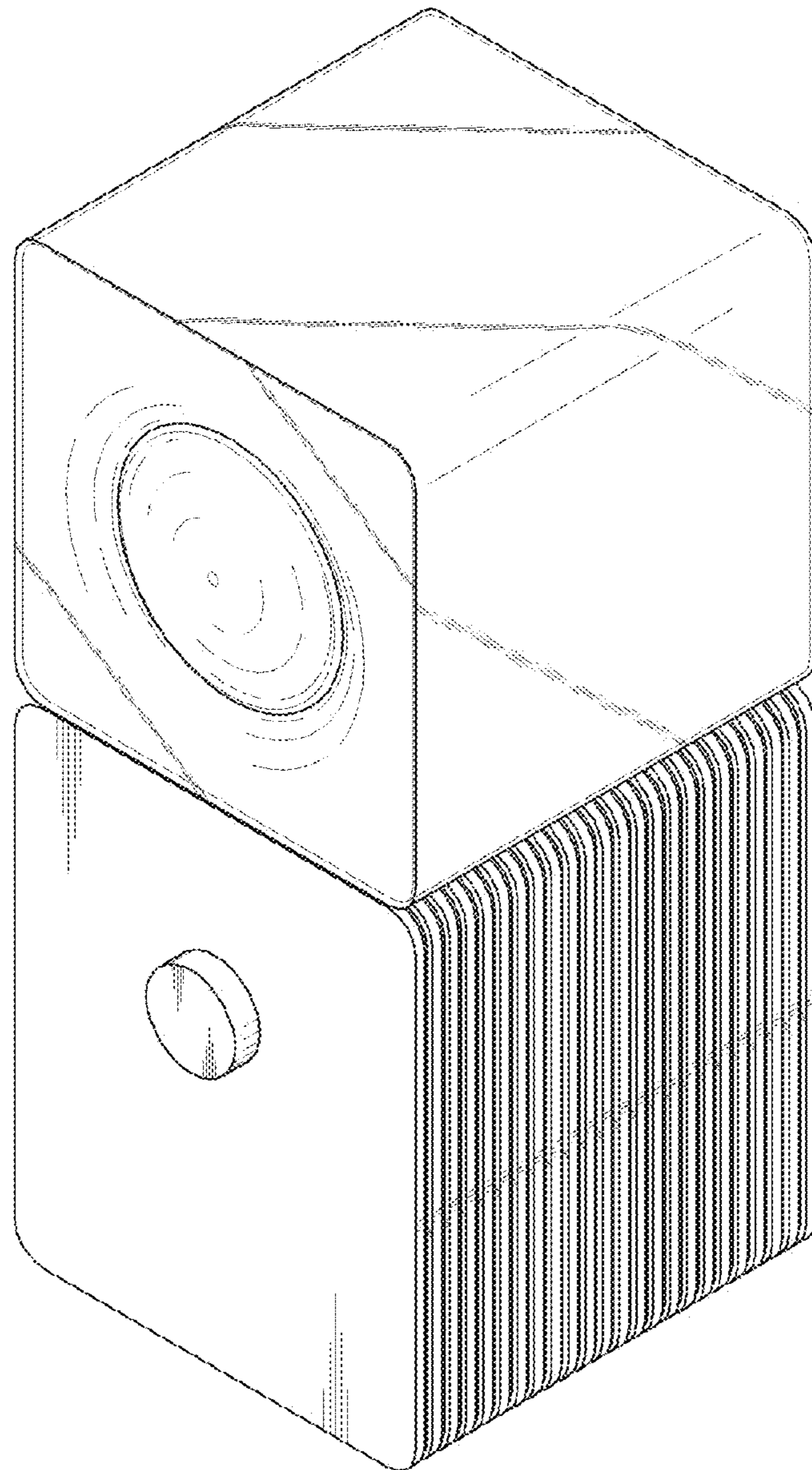


Fig. 2

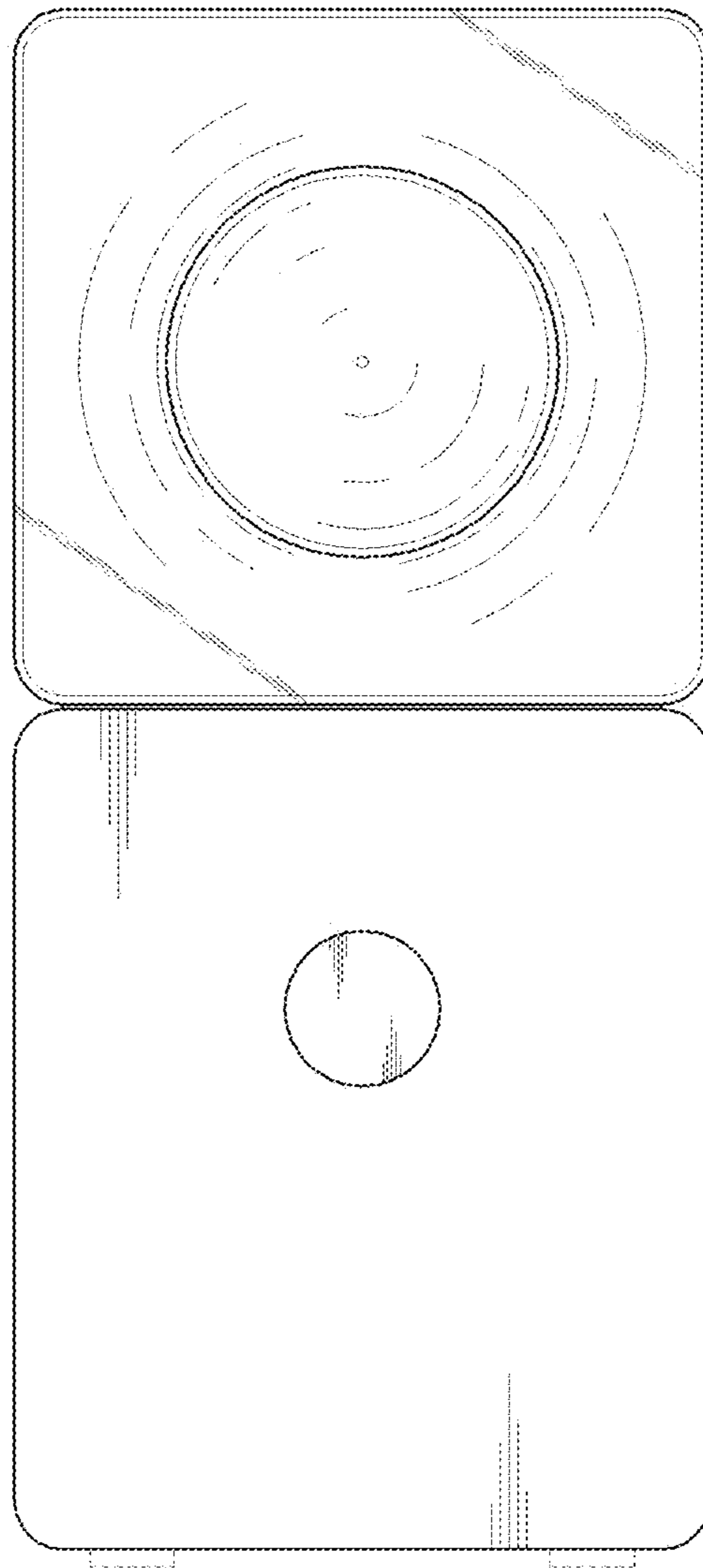


Fig. 3

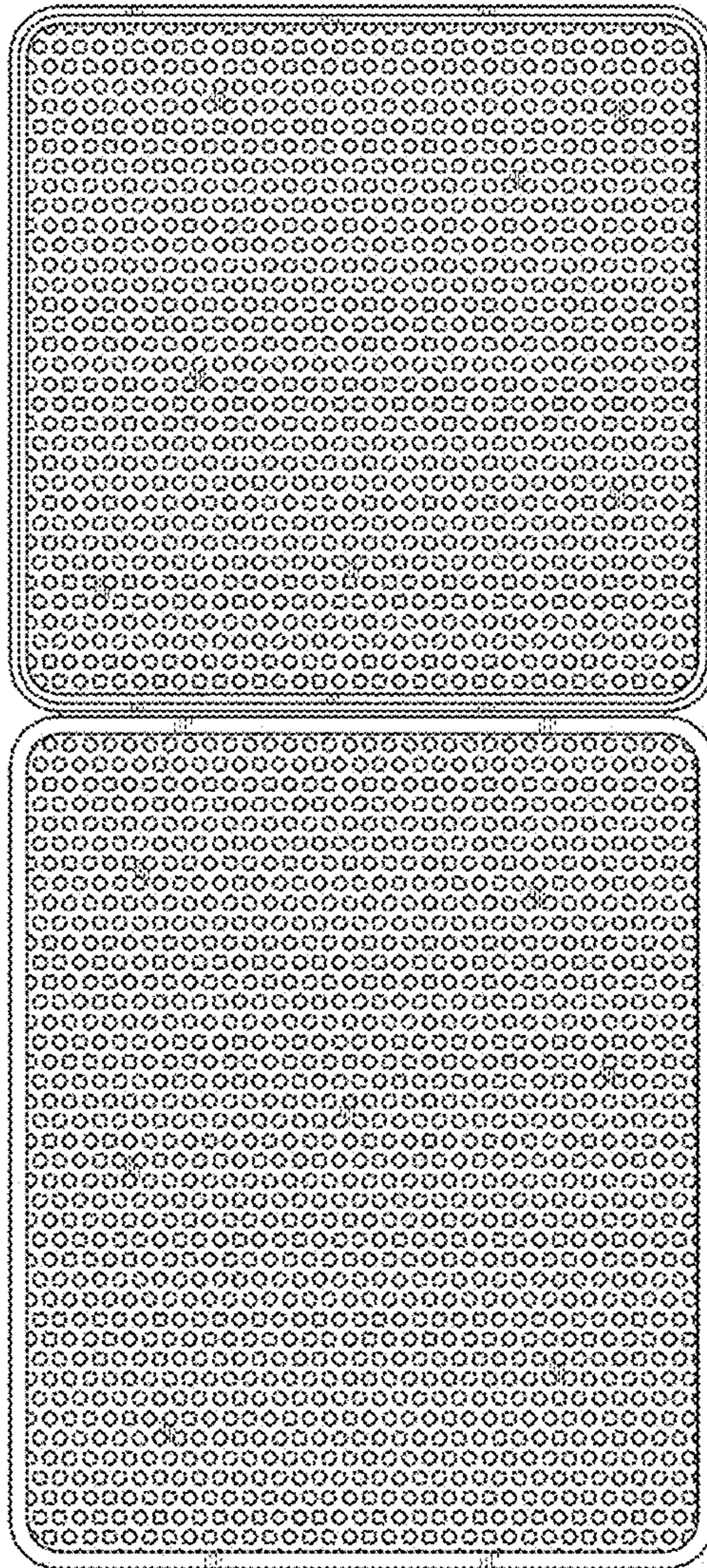


Fig. 4

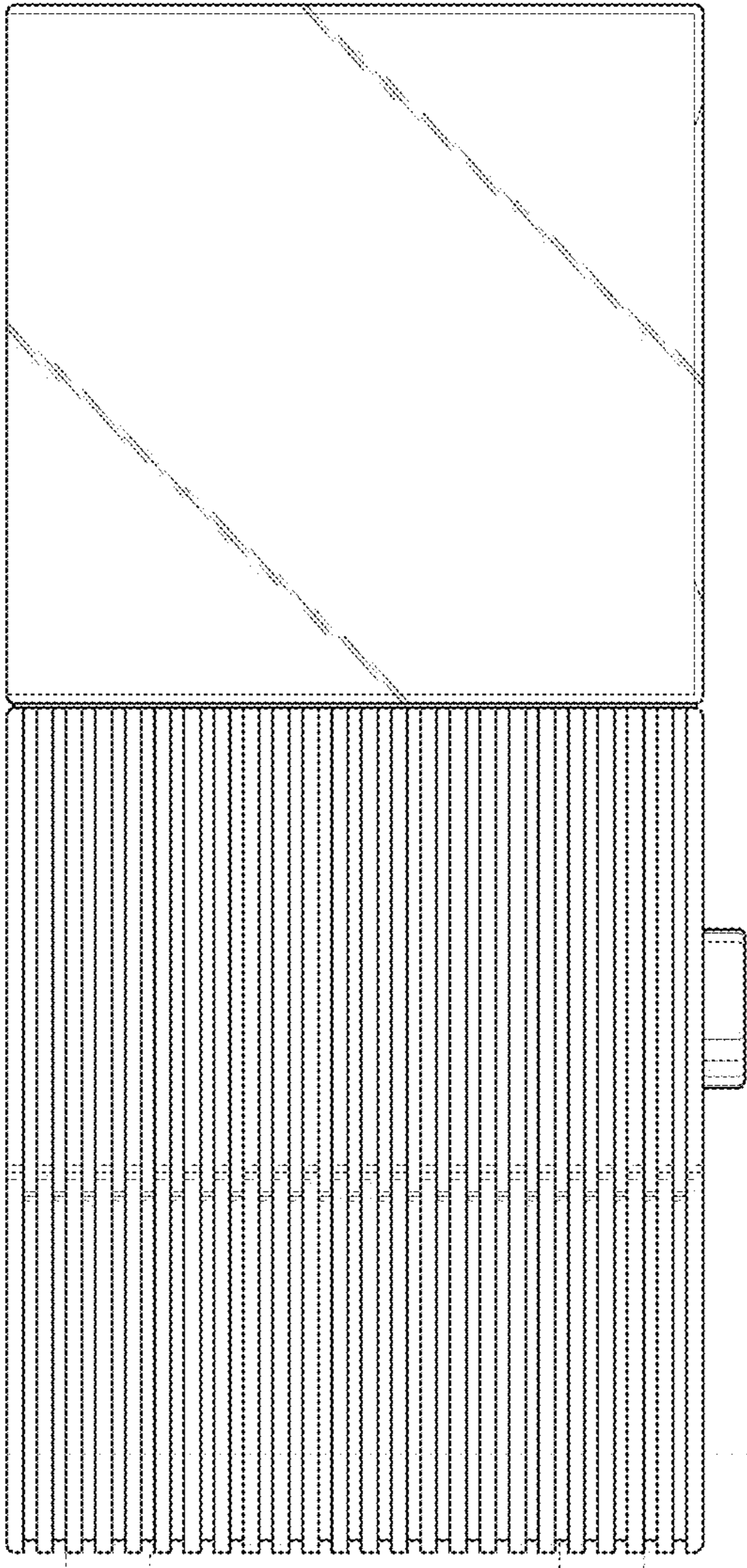


Fig. 5

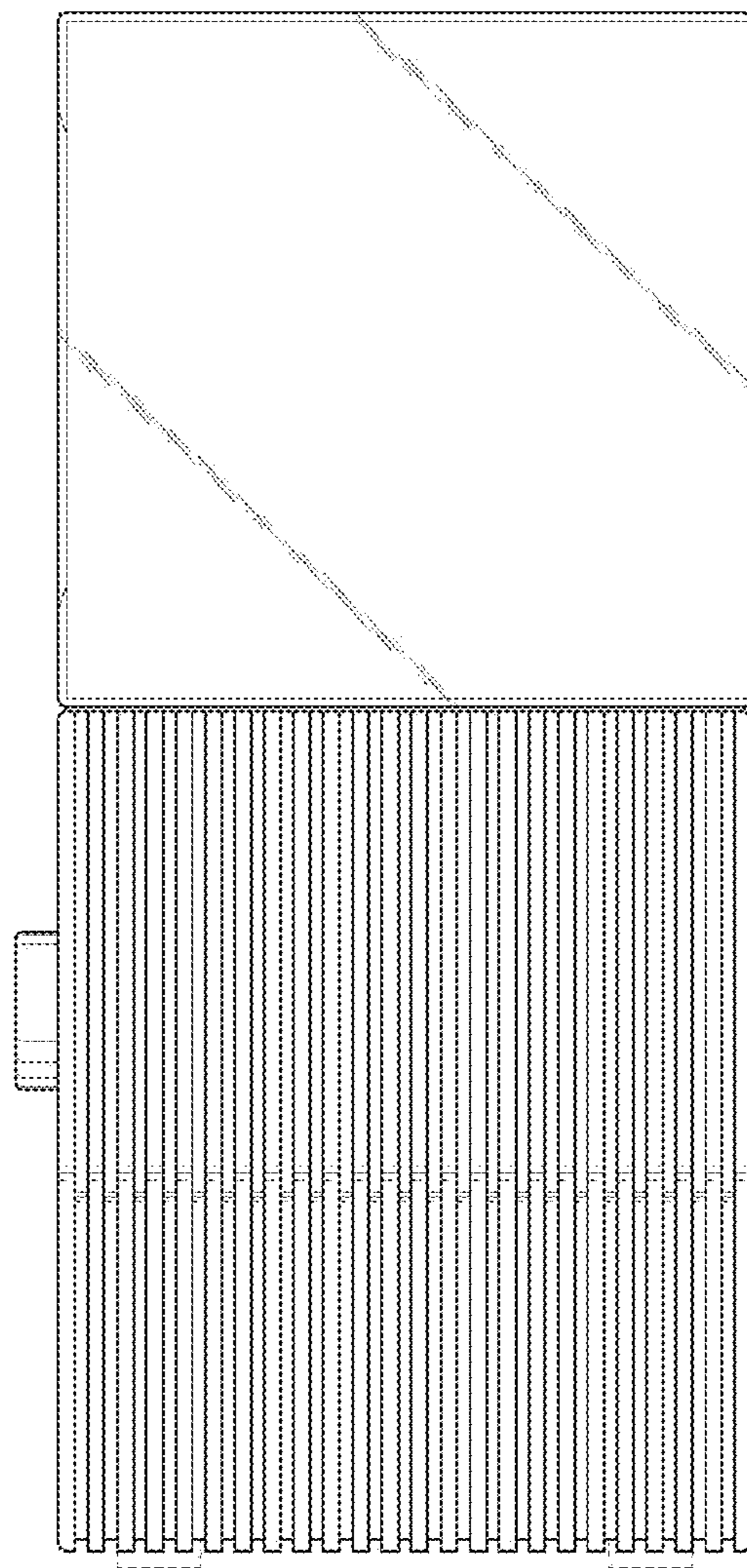


Fig. 6

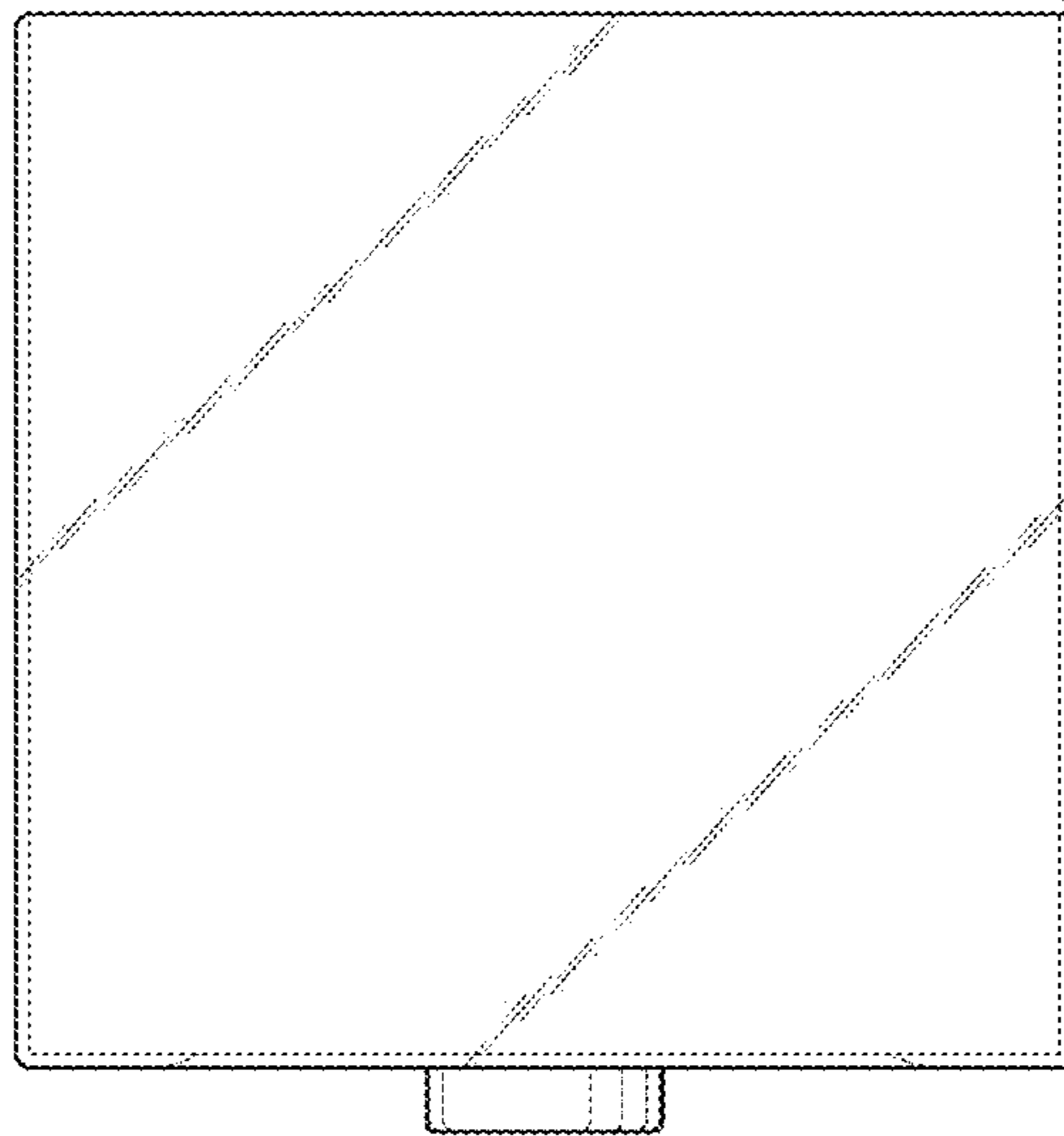


Fig. 7

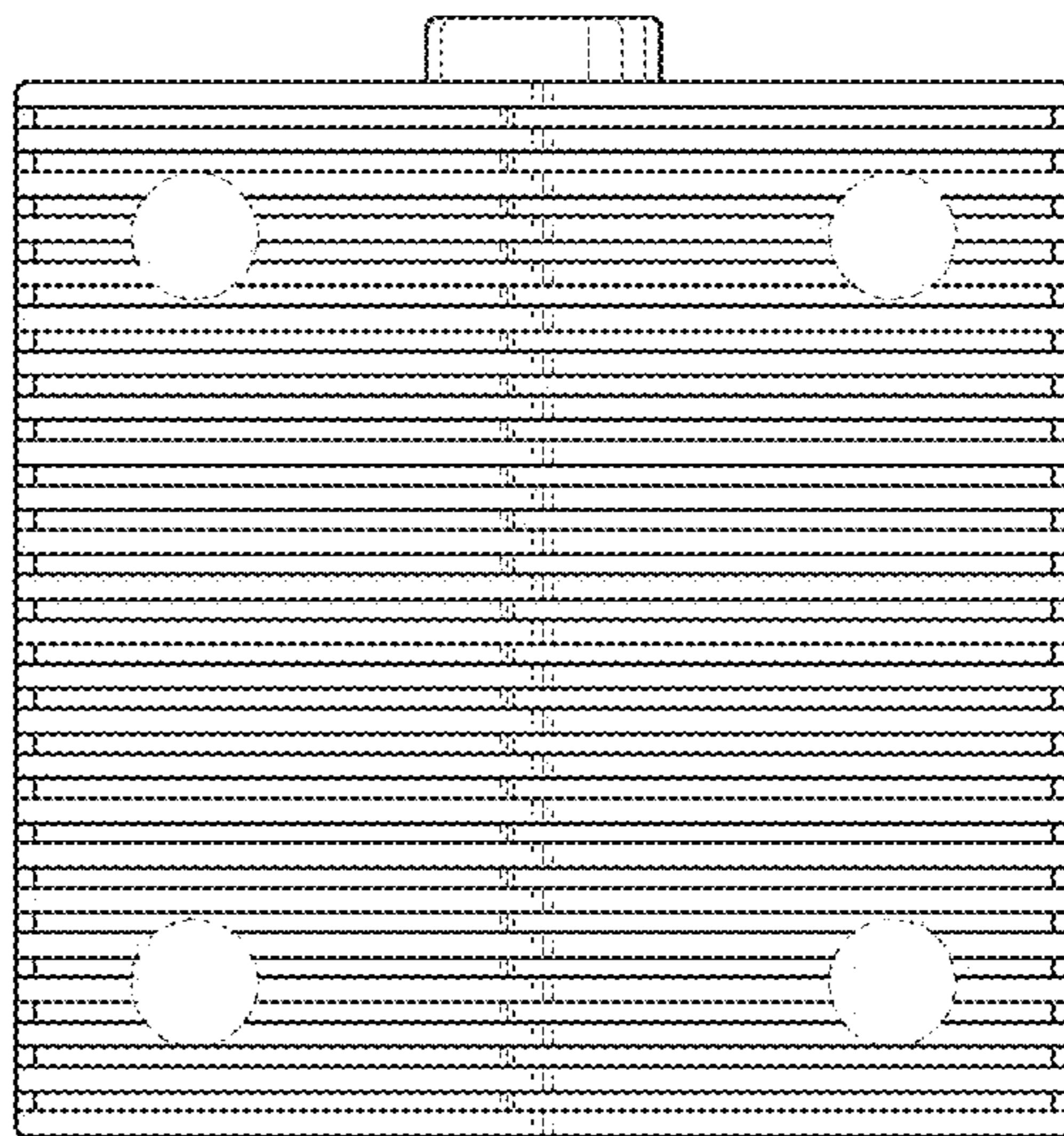


Fig. 8

