



US00D733271S

(12) **United States Design Patent**
Krintzman

(10) **Patent No.:** **US D733,271 S**

(45) **Date of Patent:** **** Jun. 30, 2015**

(54) **TOILET SEAT ADAPTOR**

(71) Applicant: **Benjamin Krintzman**, Santa Barbara,
CA (US)

(72) Inventor: **Benjamin Krintzman**, Santa Barbara,
CA (US)

(**) Term: **14 Years**

(21) Appl. No.: **29/496,024**

(22) Filed: **Jul. 8, 2014**

D491,650 S * 6/2004 Laguera Garza et al. D23/311
D492,985 S * 7/2004 Brotherston et al. D23/311
D559,368 S * 1/2008 Grant D23/311
D662,194 S * 6/2012 Cowen D23/311

* cited by examiner

Primary Examiner — Robert Delehanty

(74) *Attorney, Agent, or Firm* — Laura Tunnell

Related U.S. Application Data

(62) Division of application No. 29/456,670, filed on Jun. 3,
2013, now abandoned.

(51) **LOC (10) Cl.** **23-02**

(52) **U.S. Cl.**
USPC **D23/311**

(58) **Field of Classification Search**
USPC D23/295, 299, 301, 303, 309, 311–312;
4/234–241, 252.1, 661
See application file for complete search history.

(56) **References Cited**

U.S. PATENT DOCUMENTS

2,970,322 A * 2/1961 Vause D23/311
D411,290 S * 6/1999 Bergkvist D23/296

DESCRIPTION

(57) **CLAIM**

The ornamental design for a toilet seat adaptor, as shown.

FIG. 1 is a perspective view of the toilet seat adaptor in its intended environment. FIGS. 2-7 further illustrate details of the adaptor site.

FIG. 2 shows a detailed side view of the toilet seat adaptor in its intended environment.

FIG. 3 shows the toilet seat adaptor in perspective.

FIG. 4 shows a front view of the toilet seat adaptor.

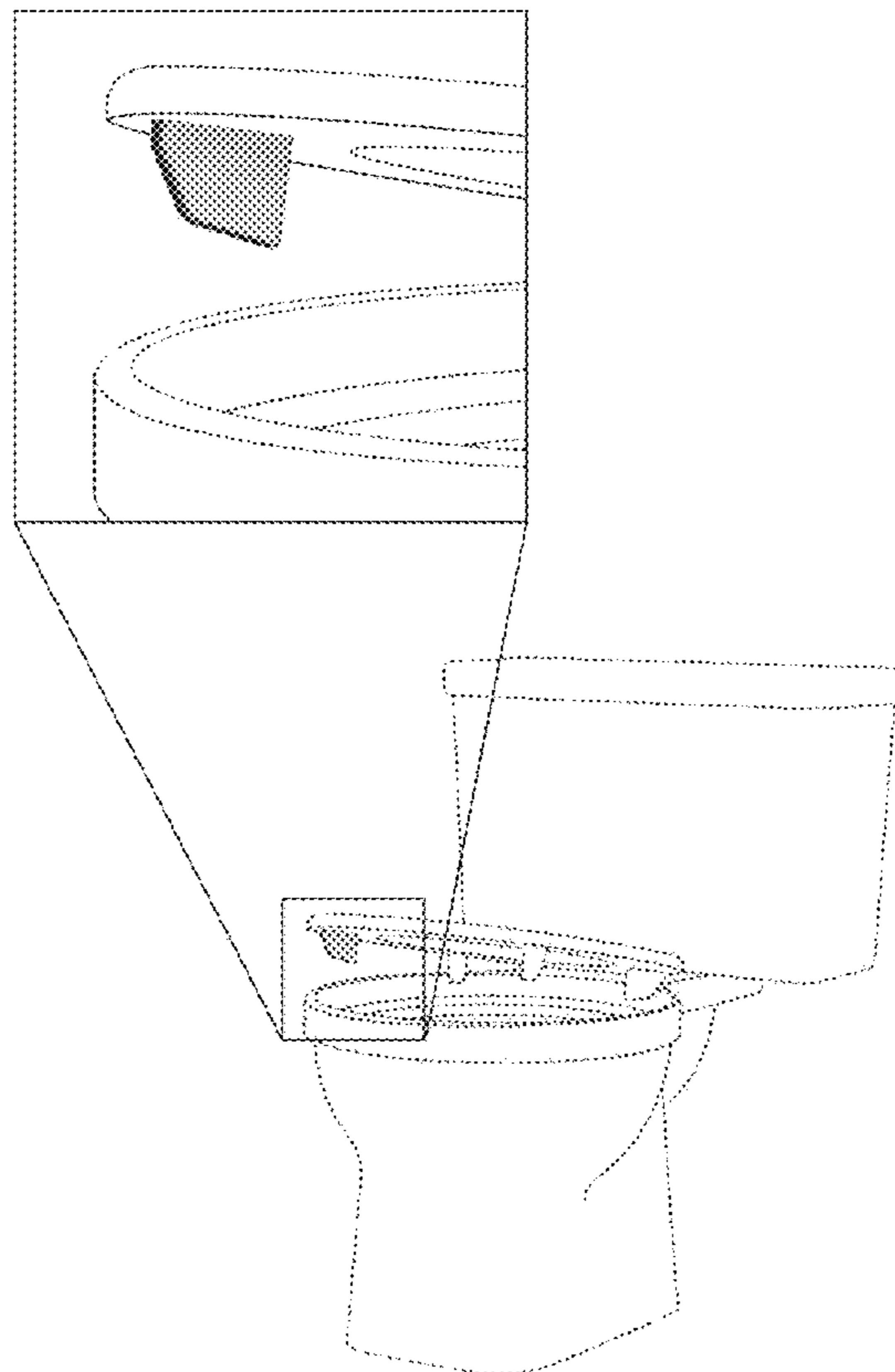
FIG. 5 shows a simplified side view of the toilet seat adaptor of FIG. 2.

FIG. 6 shows a back view of the toilet seat adaptor; and,

FIG. 7 shows a bottom view of the toilet seat adaptor.

The dotted lines show only the environment for each embodiment and are not part of the claimed design.

1 Claim, 2 Drawing Sheets



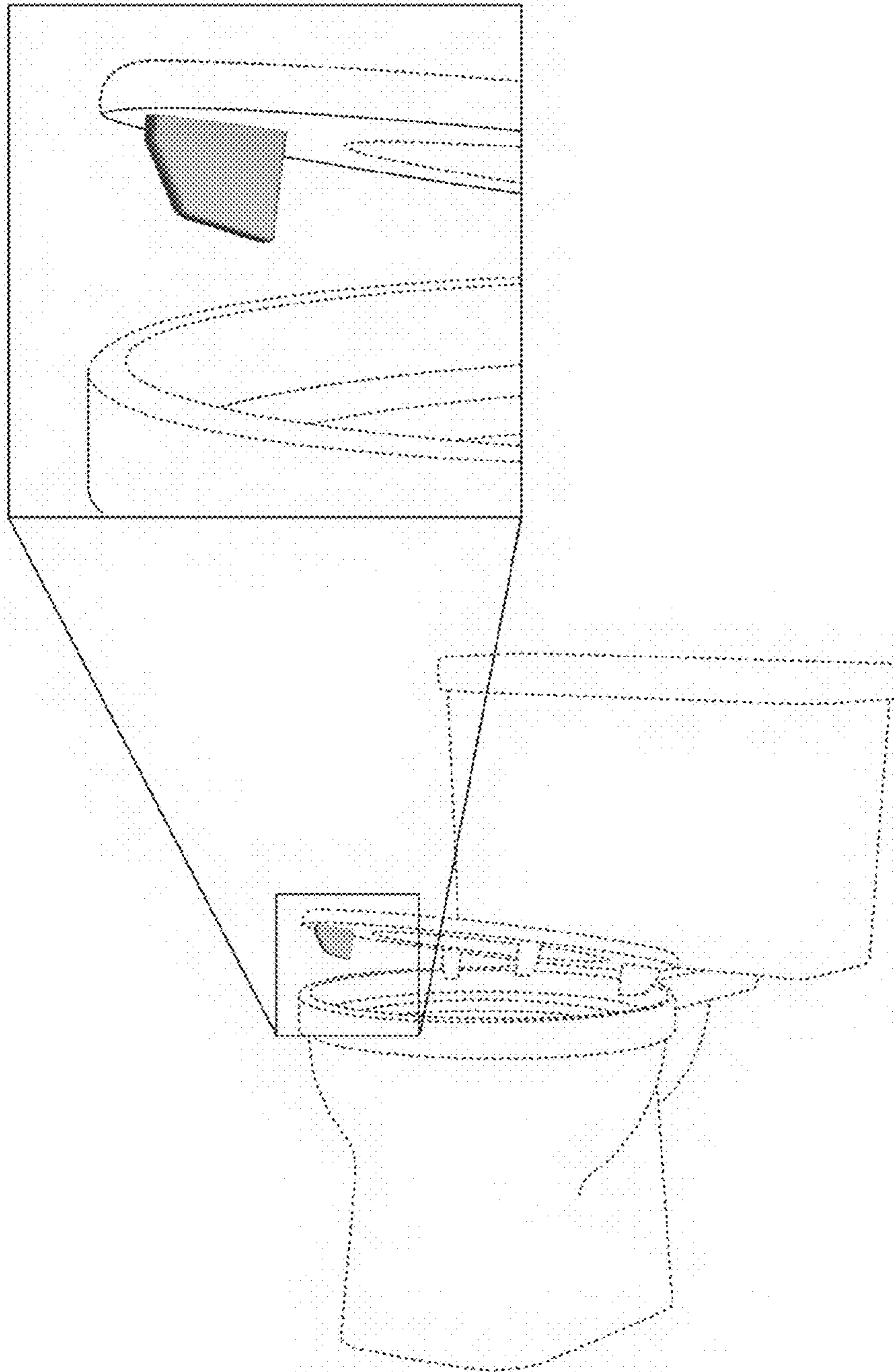


Figure 1

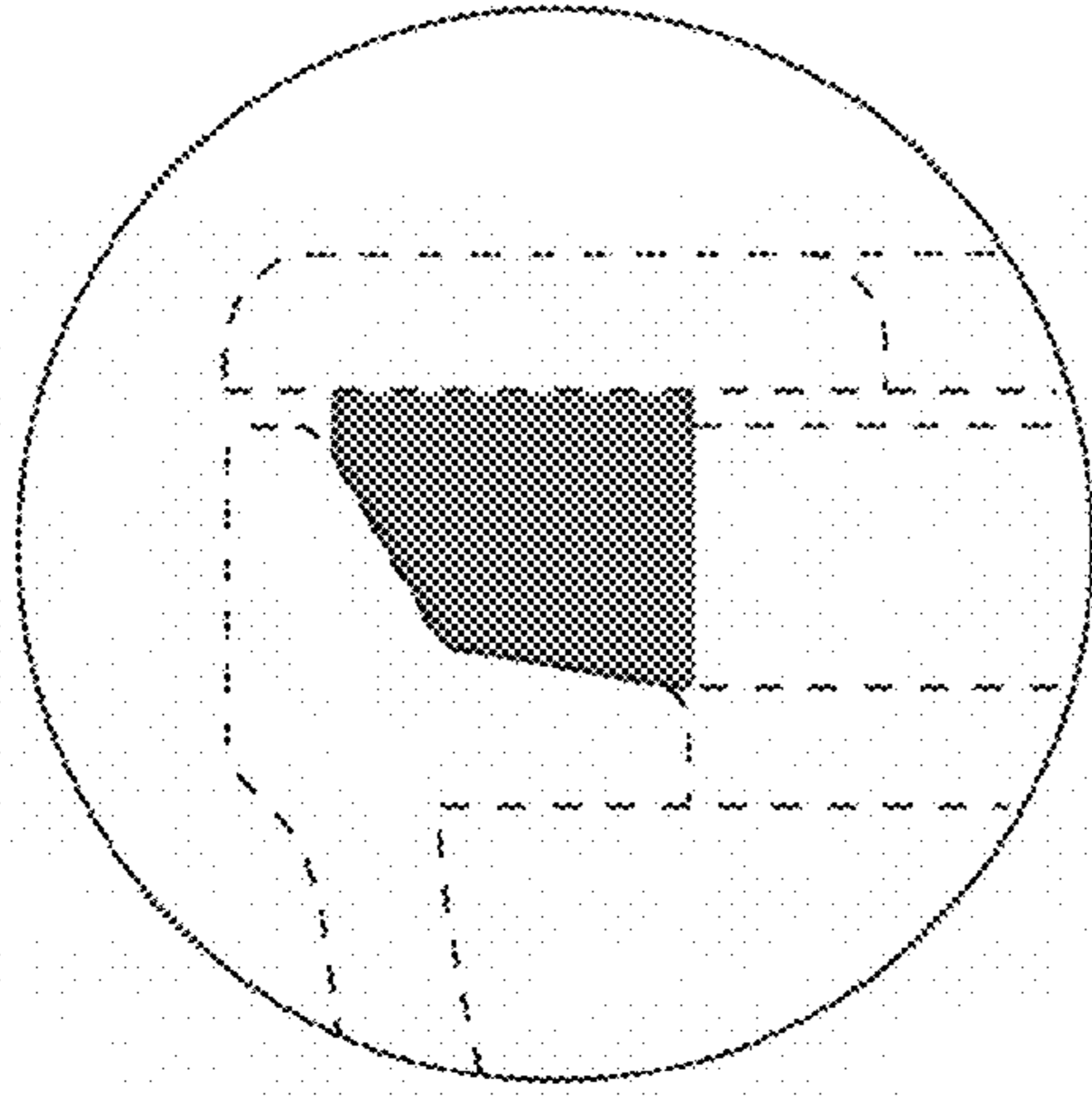


Fig. 2

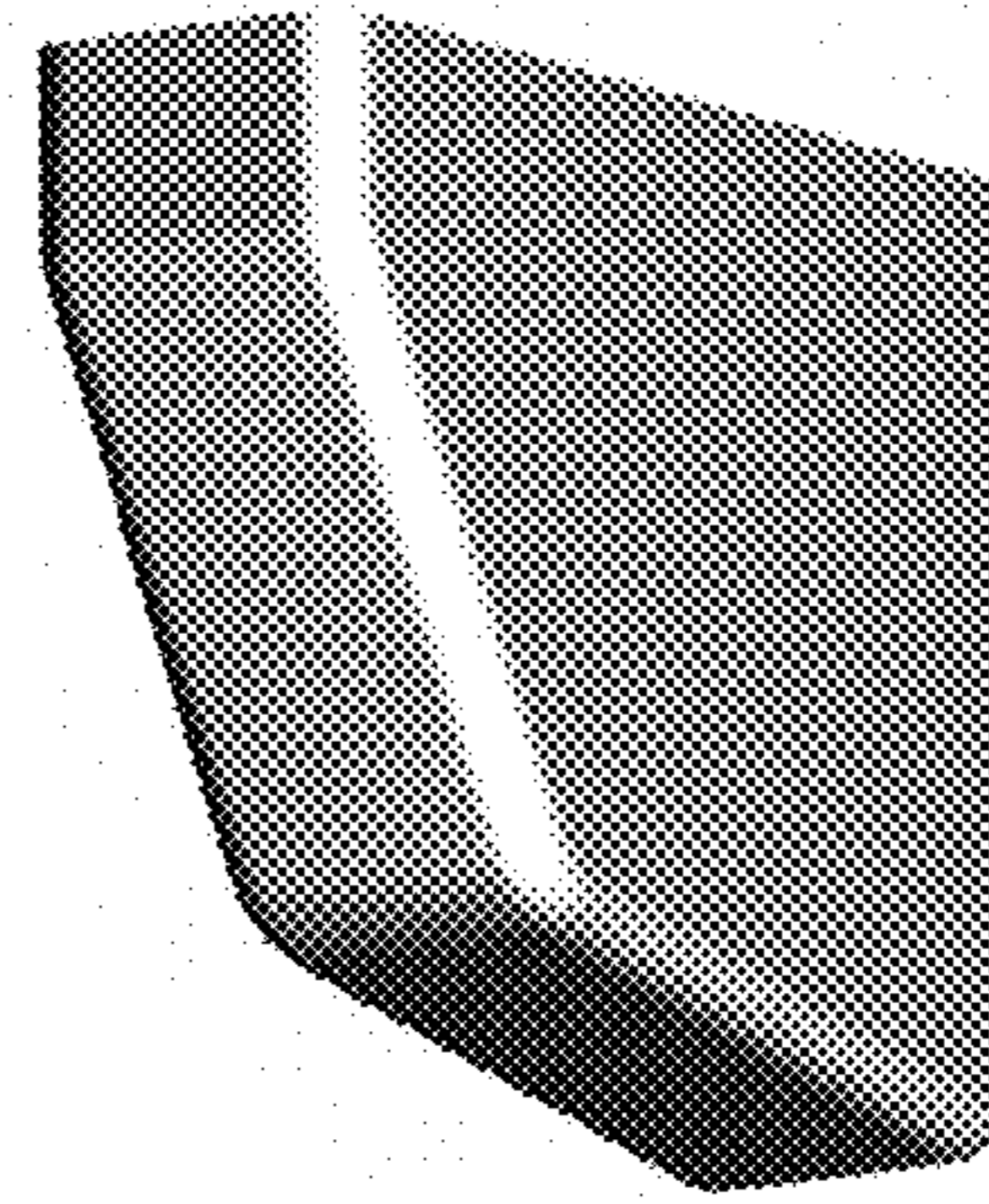


Fig. 3

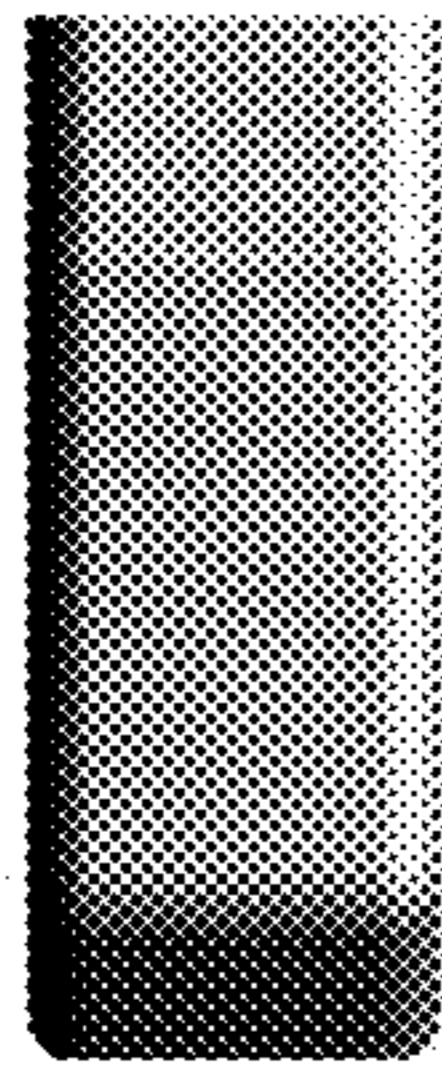


Fig. 4

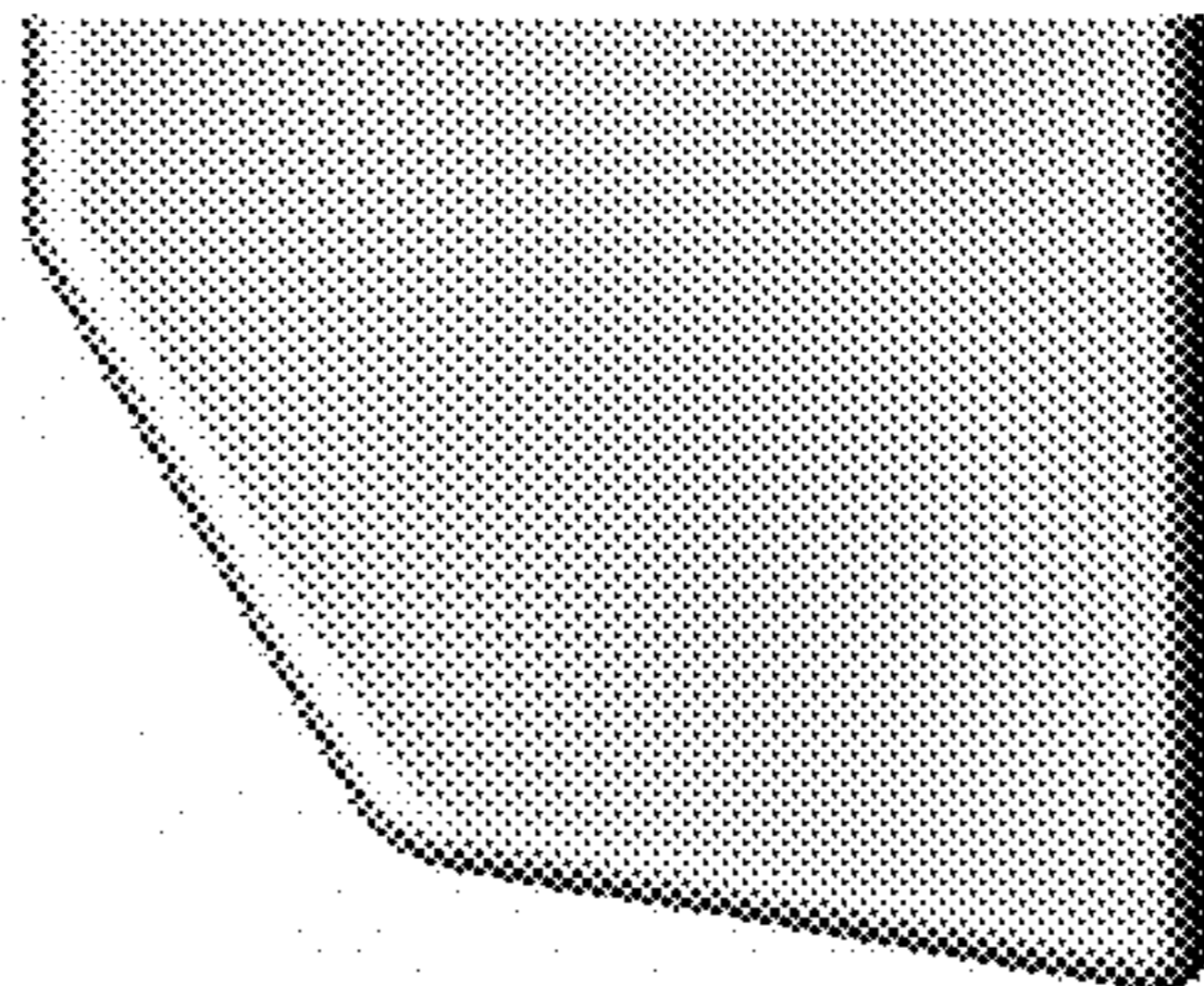


Fig. 5



Fig. 6



Fig. 7