



US00D733270S

(12) **United States Design Patent**  
**Hao et al.**

(10) **Patent No.:** **US D733,270 S**  
(45) **Date of Patent:** **\*\* Jun. 30, 2015**

(54) **ELECTRONIC TOILET**

(56) **References Cited**

(71) Applicant: **GLOBE UNION INDUSTRIAL CORP.**, Taichung (TW)

U.S. PATENT DOCUMENTS

(72) Inventors: **Erica Hao**, Shandong (CN); **Limin Hou**, Shandong (CN)

D620,566 S \* 7/2010 Ogata et al. .... D23/301  
D639,399 S \* 6/2011 Takeuchi et al. .... D23/295  
D683,437 S \* 5/2013 Newson ..... D23/301

(73) Assignee: **Globe Union Industrial Corp.**, Taichung (TW)

\* cited by examiner

*Primary Examiner* — Robert Delehanty  
(74) *Attorney, Agent, or Firm* — Leong C. Lei

(\*\*) Term: **14 Years**

(57) **CLAIM**  
The ornamental design for an electronic toilet, as shown and described.

(21) Appl. No.: **29/481,442**

**DESCRIPTION**

(22) Filed: **Feb. 6, 2014**

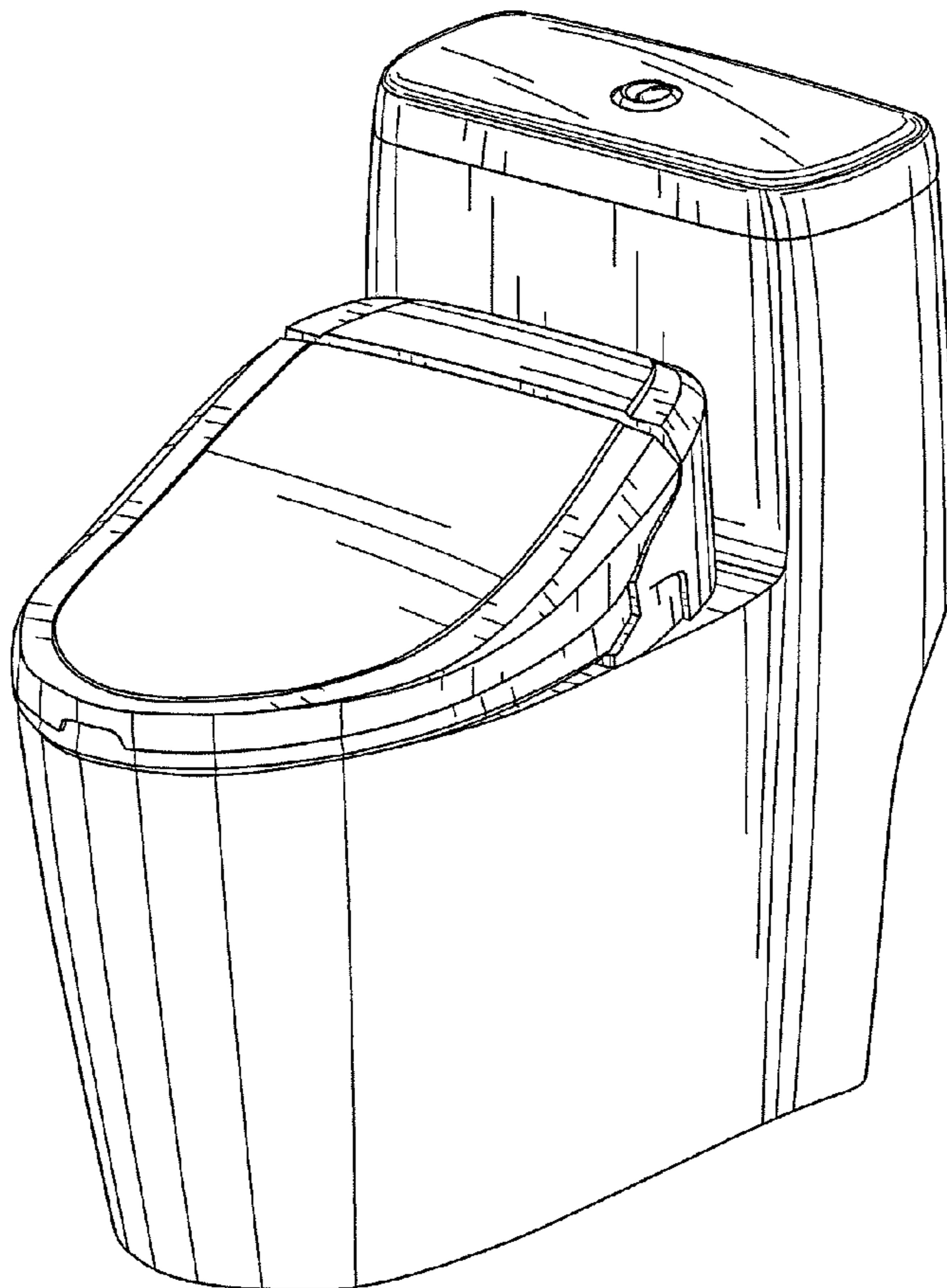
(51) **LOC (10) Cl.** ..... **23-02**

(52) **U.S. Cl.**  
USPC ..... **D23/301**

(58) **Field of Classification Search**  
USPC ..... D23/295, 301, 303, 309, 311, 299  
CPC ... E03D 9/08; E03C 2001/1213; A47K 3/022  
See application file for complete search history.

FIG. 1 is a perspective view of an electronic toilet showing my new design;  
FIG. 2 is a front elevational view thereof;  
FIG. 3 is a rear elevational view thereof;  
FIG. 4 is a left side elevational view thereof;  
FIG. 5 is a right side elevational view thereof; and,  
FIG. 6 is a top plan view thereof.

**1 Claim, 6 Drawing Sheets**



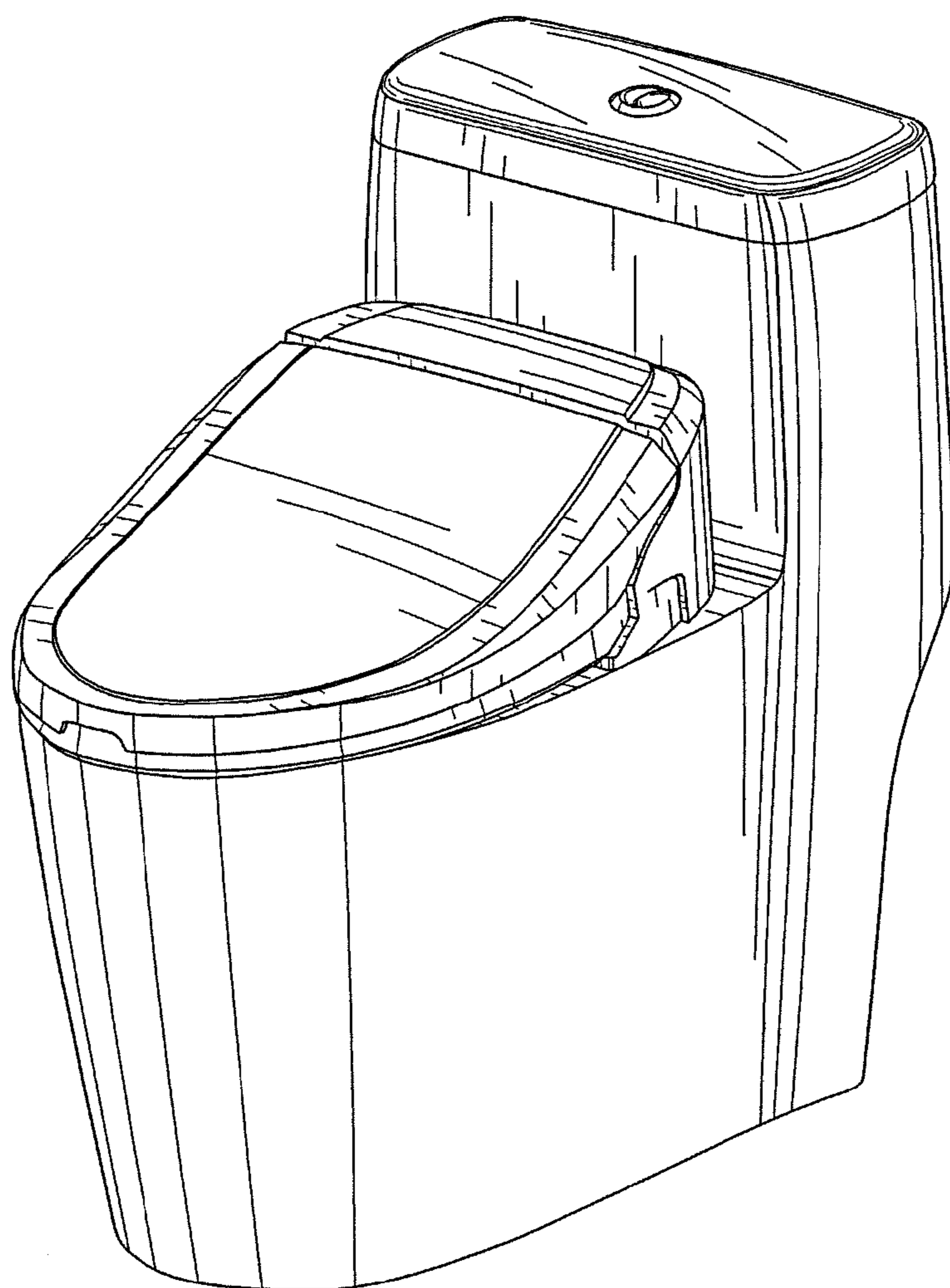


FIG. 1

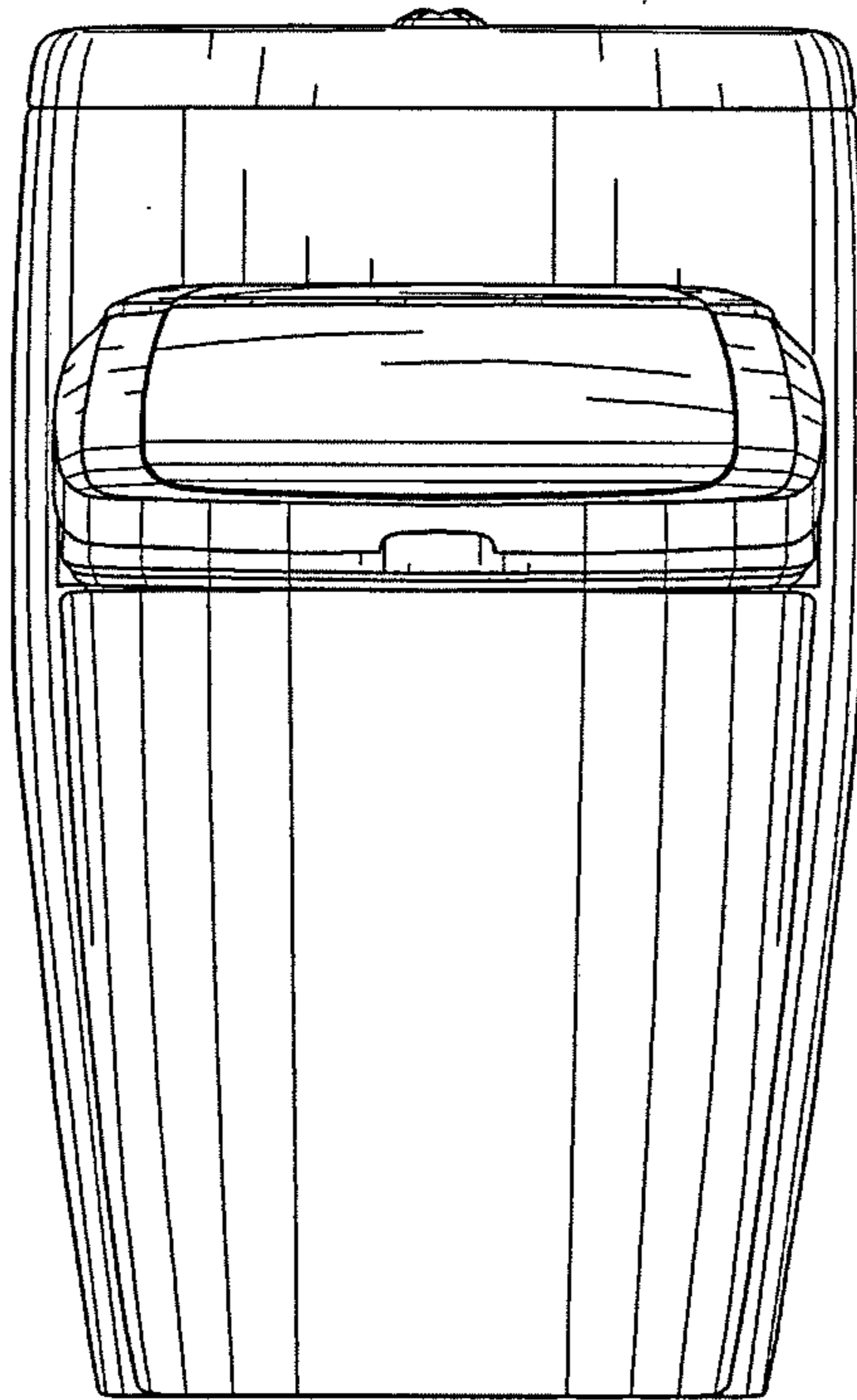


FIG. 2

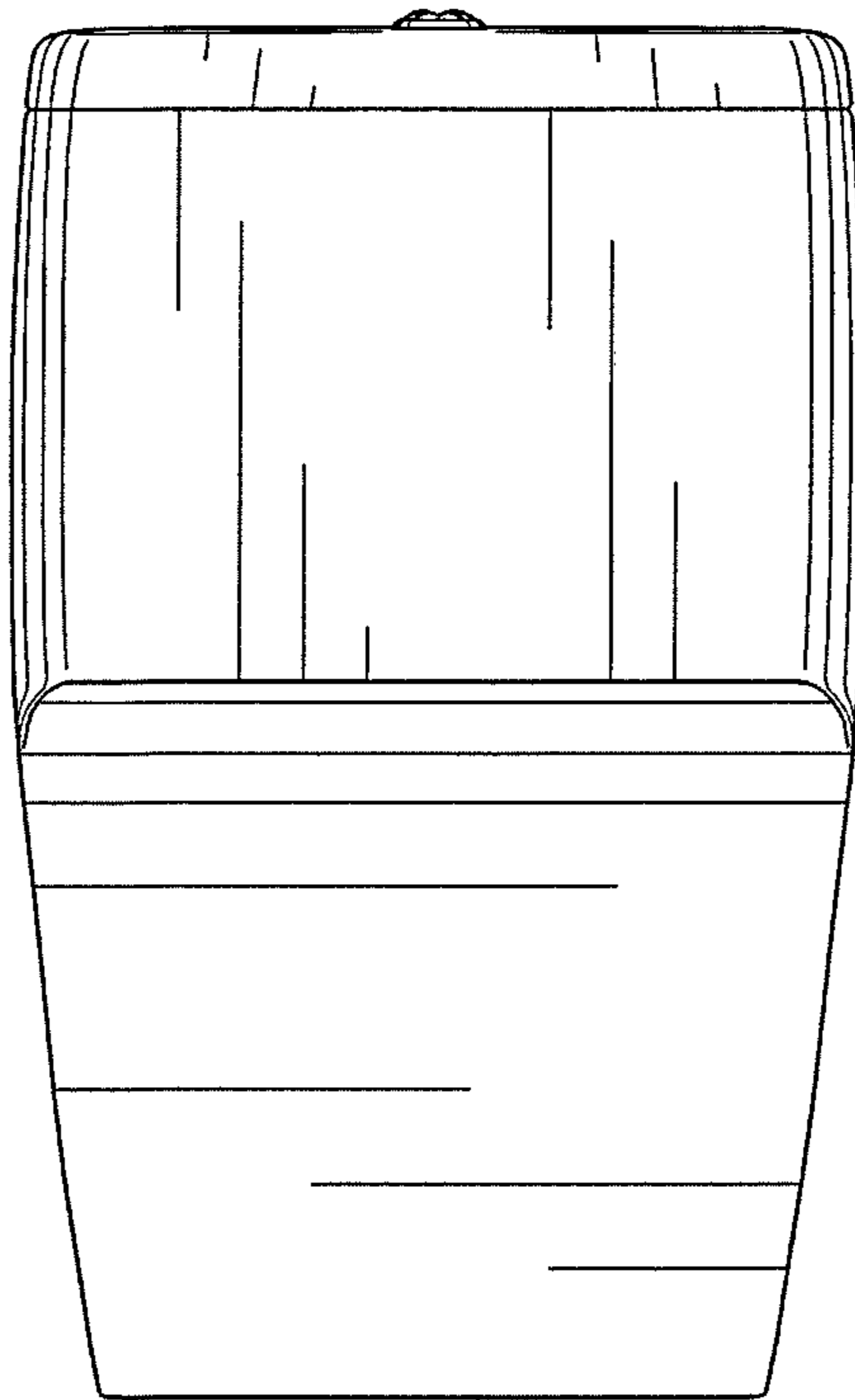


FIG. 3

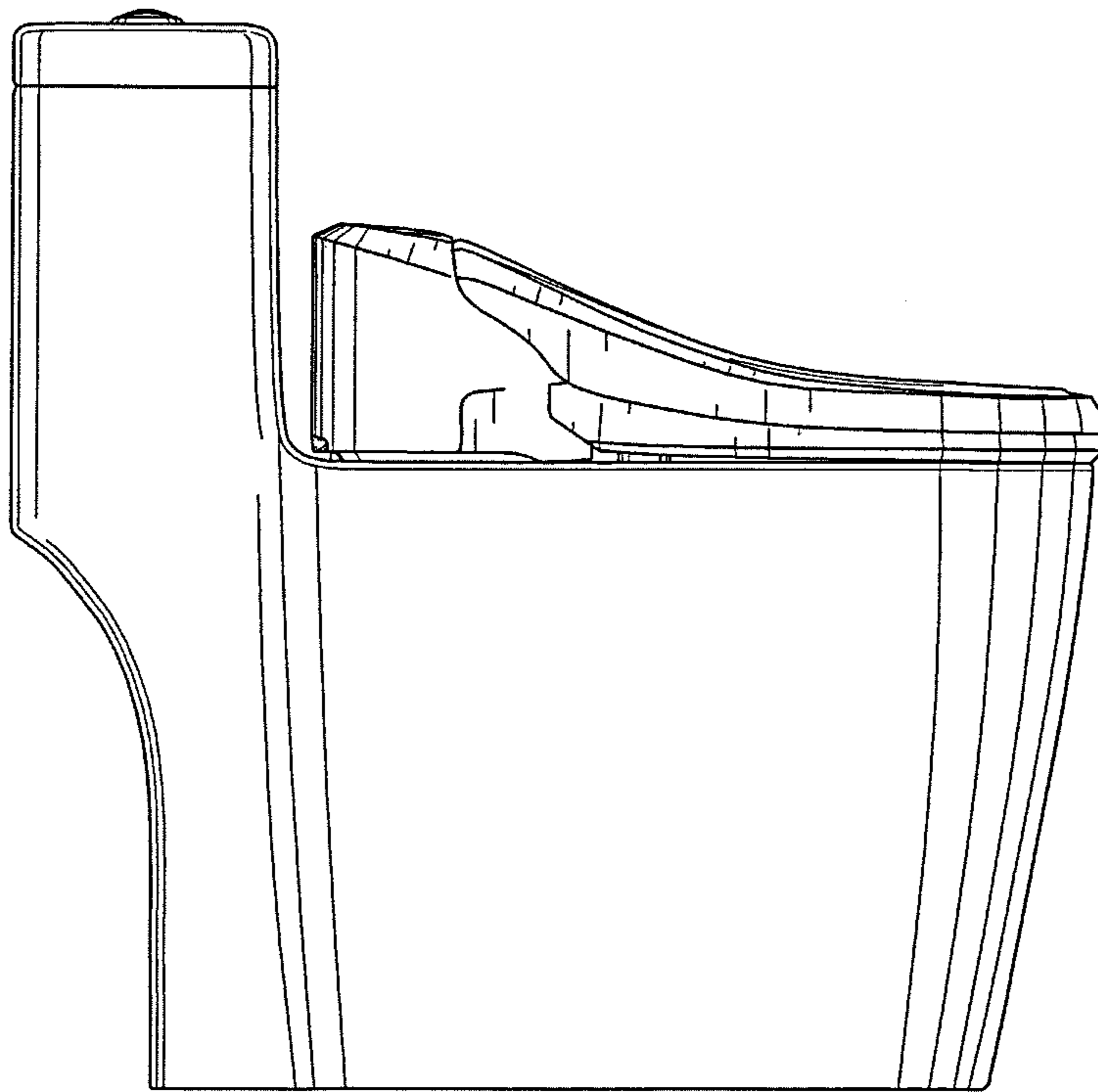


FIG. 4

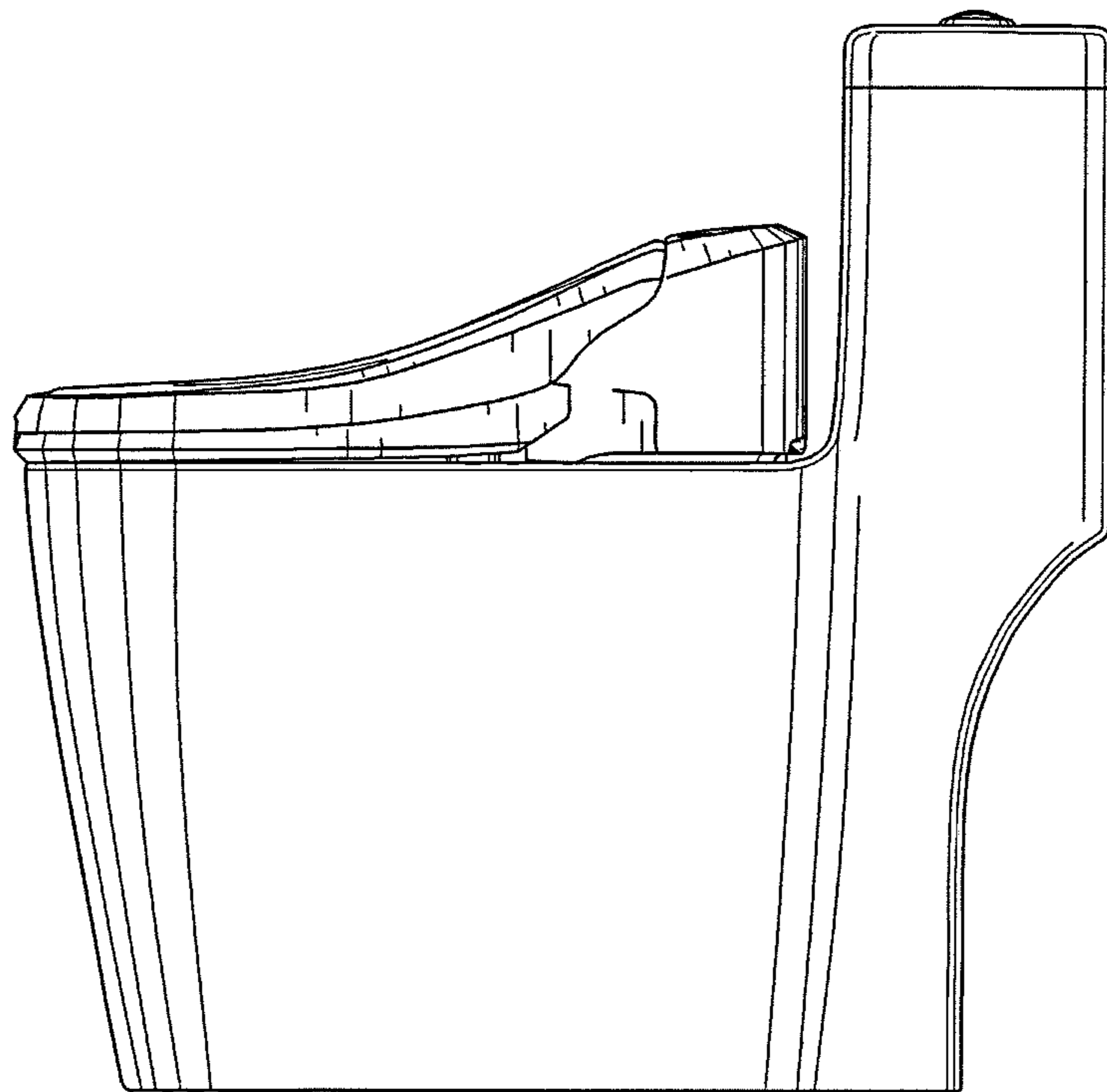


FIG. 5

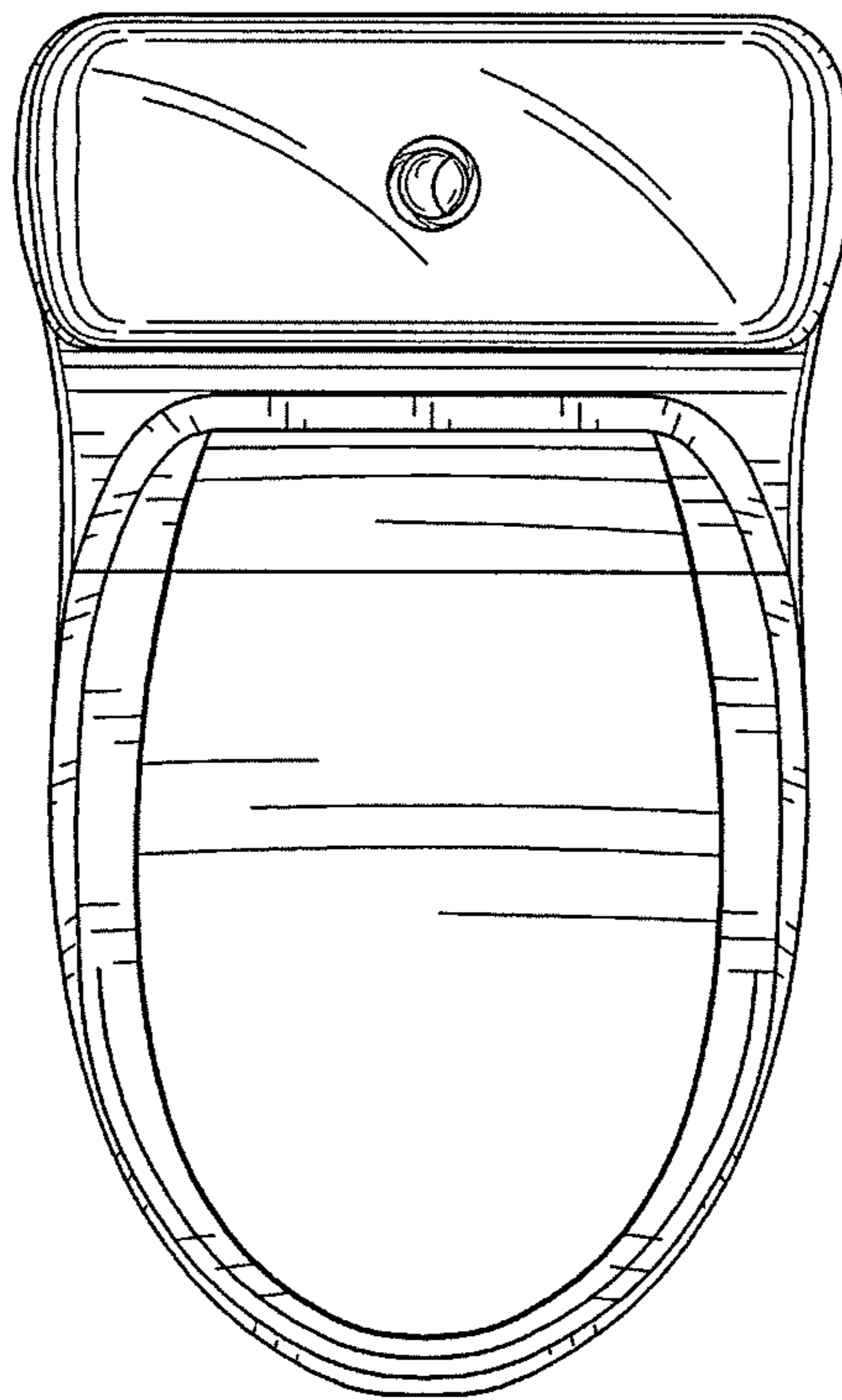


FIG. 6