



US00D733268S

(12) **United States Design Patent**
Becker

(10) **Patent No.:** **US D733,268 S**
(45) **Date of Patent:** **** Jun. 30, 2015**

(54) **PIPE INSULATOR**

(71) Applicant: **BDD Beteiligungs GmbH**, Mannheim (DE)

(72) Inventor: **Michael Becker**, Edenkoben (DE)

(73) Assignee: **BDD Beteiligungs GmbH**, Mannheim (DE)

(**) Term: **14 Years**

(21) Appl. No.: **29/457,854**

(22) Filed: **Jun. 13, 2013**

(51) **LOC (10) Cl.** **23-01**

(52) **U.S. Cl.**
USPC **D23/266**

(58) **Field of Classification Search**
USPC D23/205, 213, 223, 224, 228, 229, 230, D23/259, 262, 263, 266; D24/129; D13/155; 138/103, 105, 109, 118, 138/118.1, 119, 121, 122, 126, 128, 140, 138/154, 155, 157, 158, 167, 173, 177; 285/58, 83, 124.1, 124.5, 179, 179.1
See application file for complete search history.

(56) **References Cited**

U.S. PATENT DOCUMENTS

- 1,547,431 A * 7/1925 Mallory 92/34
- 2,934,095 A * 4/1960 Lockhart 138/121
- 3,549,176 A * 12/1970 Contreras 285/55
- D221,078 S * 7/1971 Seckel et al. D23/266

- D235,101 S * 5/1975 Maroschak et al. D23/266
- D235,104 S * 5/1975 Maroschak et al. D23/266
- D307,790 S * 5/1990 Bjorkman et al. D23/266
- 5,277,227 A * 1/1994 Bradshaw et al. 138/110
- 5,727,599 A * 3/1998 Fisher et al. 138/156
- 6,041,824 A * 3/2000 Powell 138/109
- 6,056,018 A * 5/2000 Renaud 138/121
- D447,792 S * 9/2001 Renaud D23/266
- D484,953 S * 1/2004 Renaud D23/266
- 7,398,798 B2 * 7/2008 Ostan et al. 138/121
- RE40,577 E * 11/2008 Renaud D23/266
- 2006/0254663 A1 * 11/2006 Renaud 138/121
- 2007/0295422 A1 * 12/2007 Ostan et al. 138/121

* cited by examiner

Primary Examiner — Eric Goodman

Assistant Examiner — Daniel J Domino

(74) *Attorney, Agent, or Firm* — Jordan and Hamburg LLP

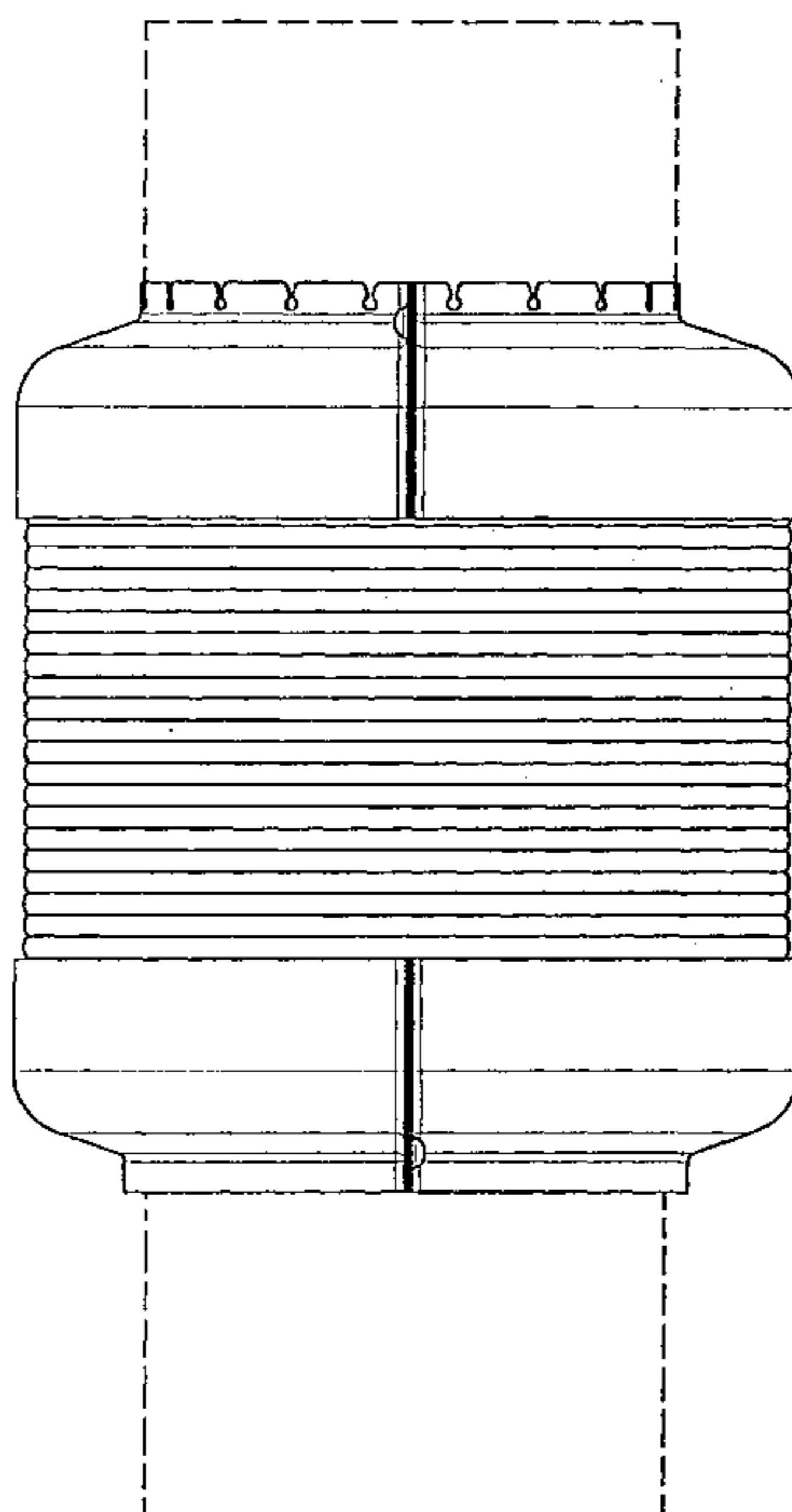
(57) **CLAIM**

The ornamental design for a pipe insulator, as shown and described.

DESCRIPTION

FIG. 1 is a front elevational view of a first embodiment of a pipe insulator showing my design;
 FIG. 2 is a left side elevational view thereof, the right side elevational view being a mirror image thereof;
 FIG. 3 is a top perspective view thereof;
 FIG. 4 is a bottom perspective view thereof; and,
 FIG. 5 is a top plan view thereof.
 The broken line showing is included for the purpose of illustrating environmental subject matter, and forms no part of the claimed design.

1 Claim, 5 Drawing Sheets



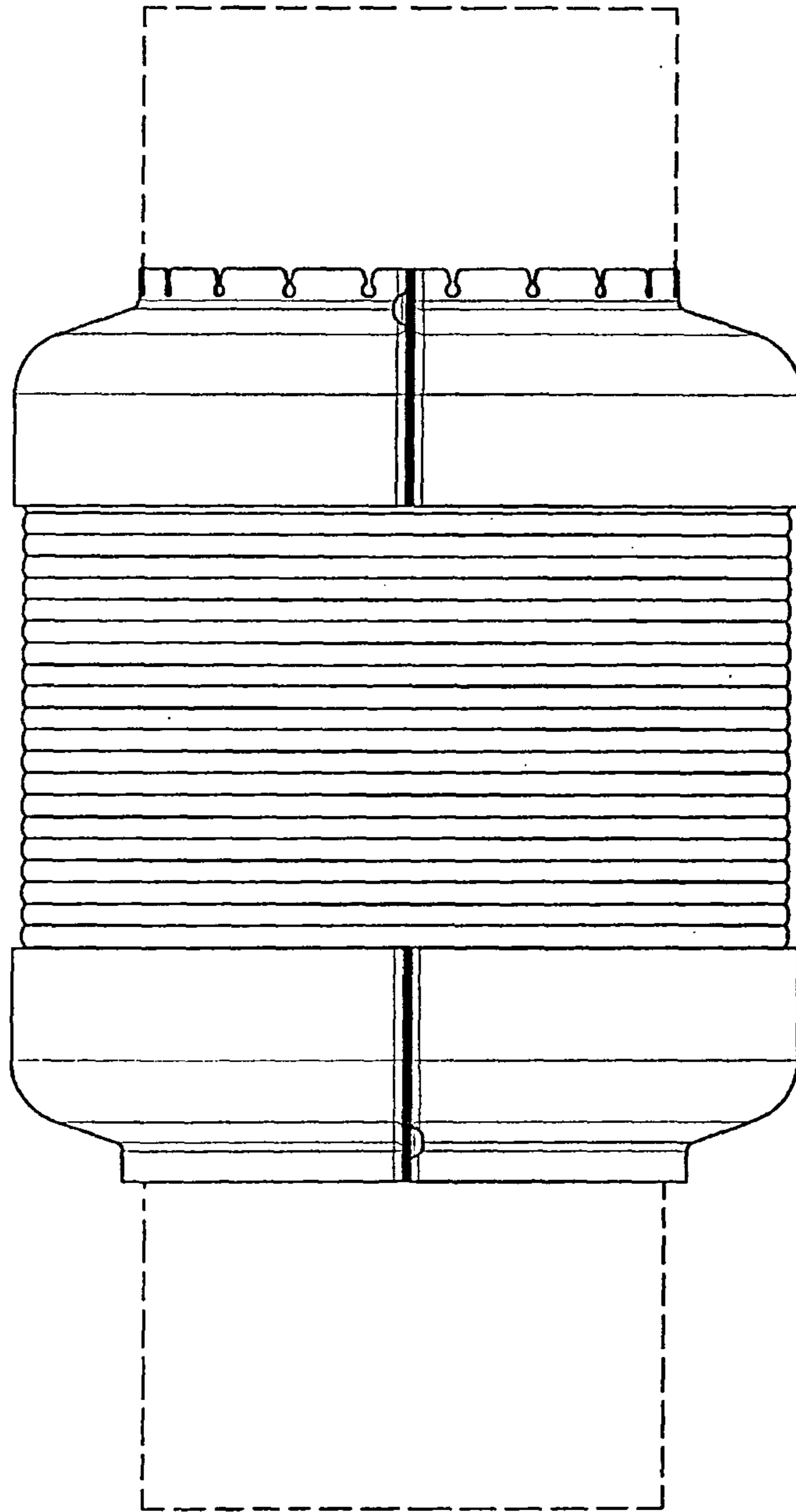


FIG. 1

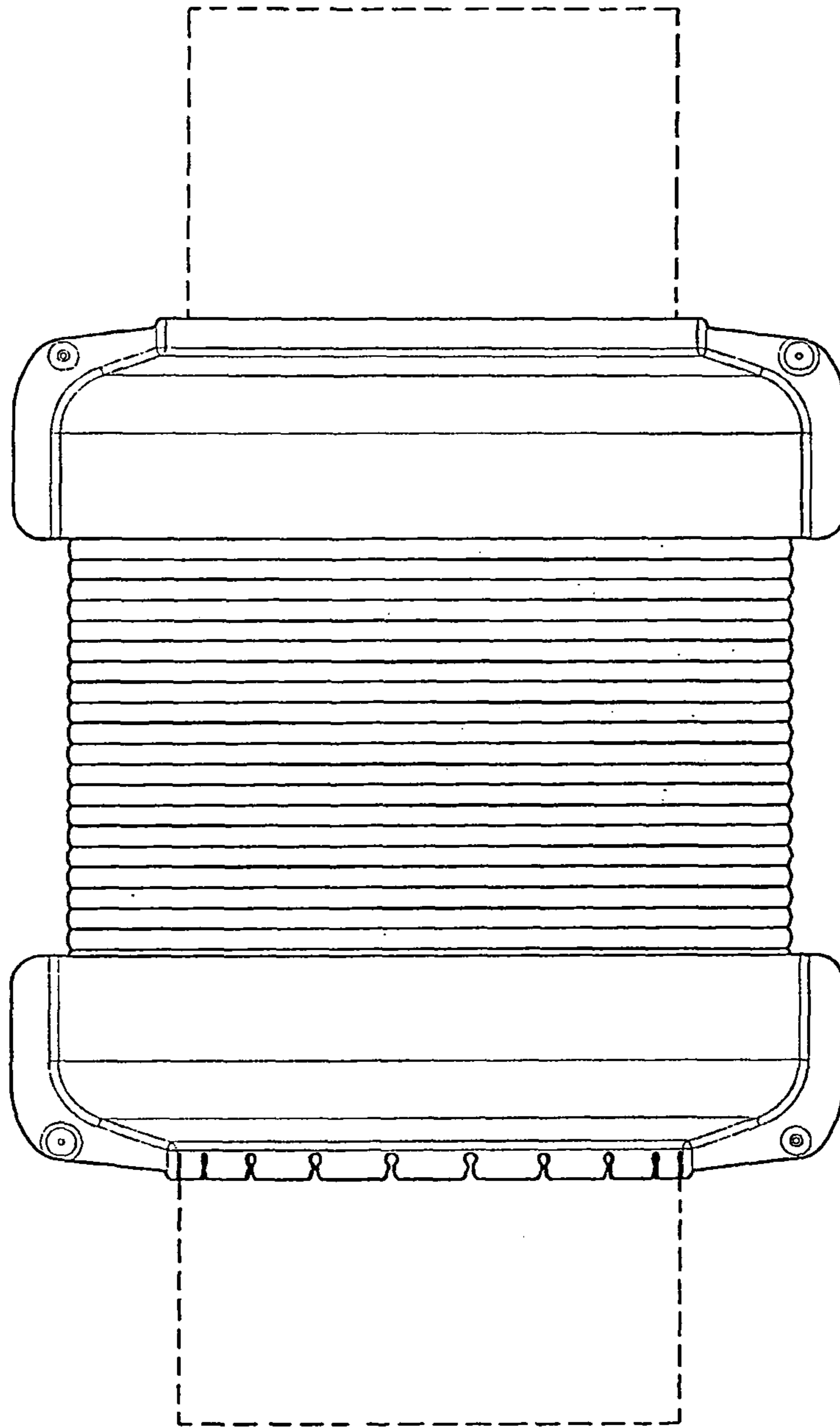


FIG. 2

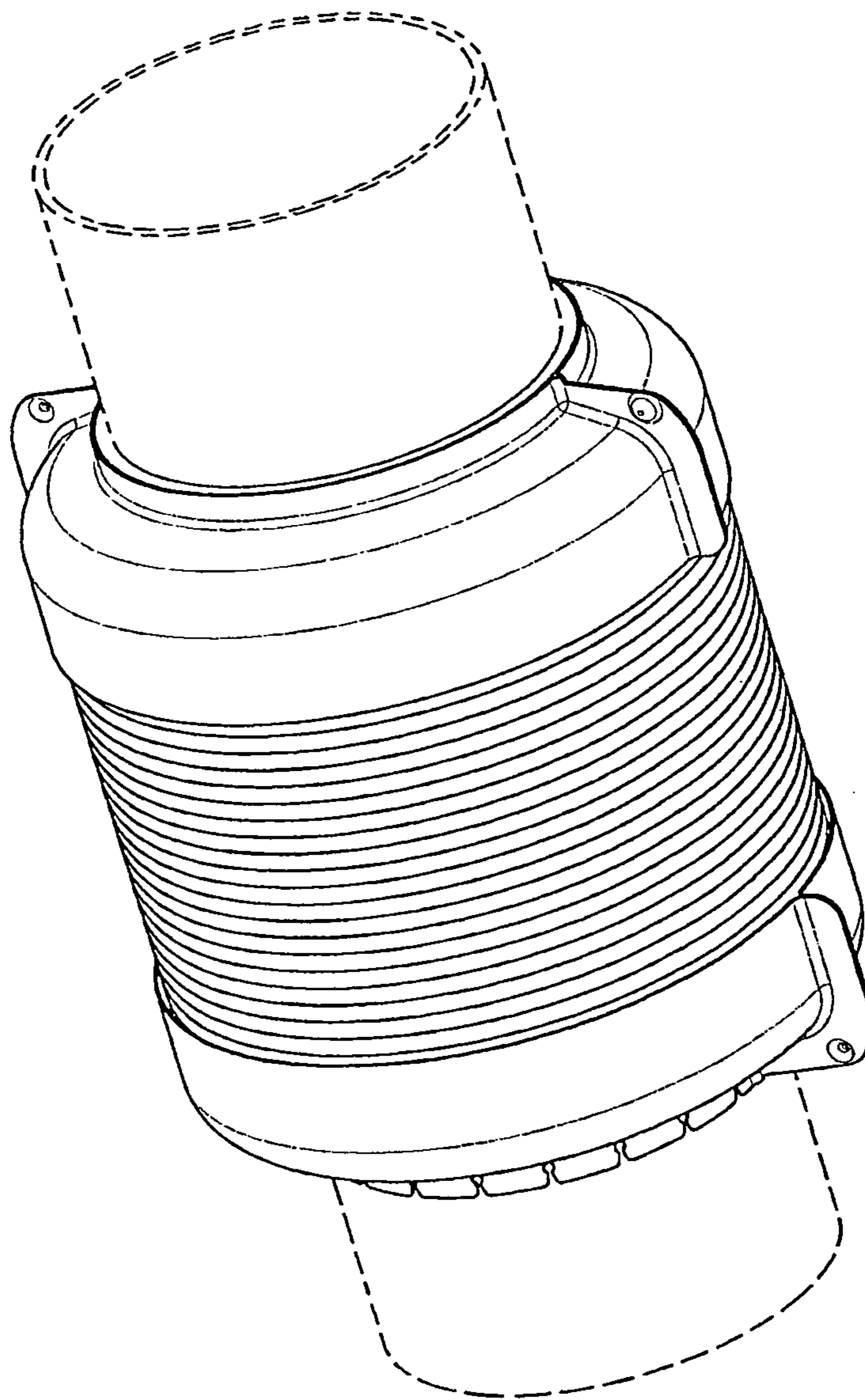


FIG. 3

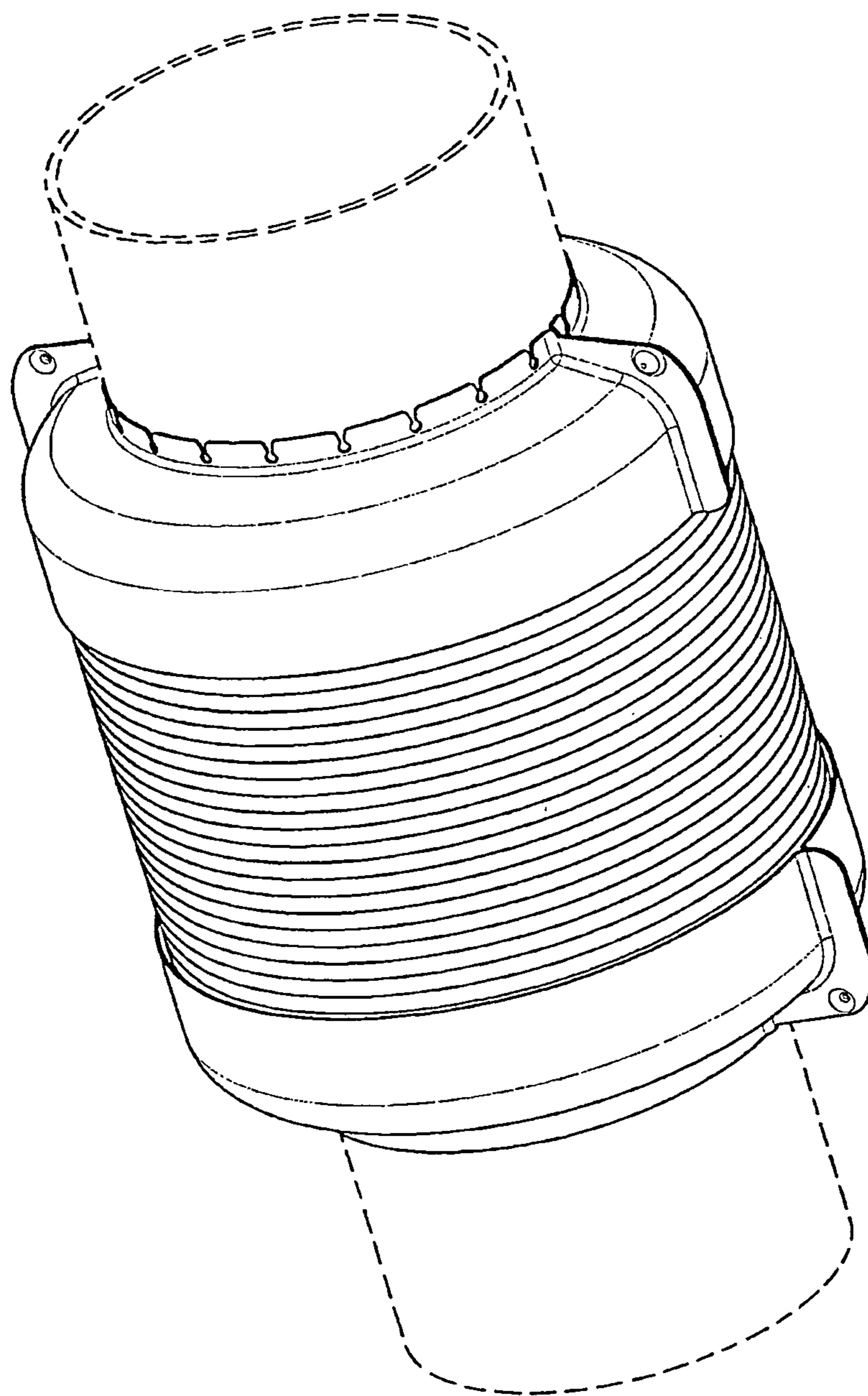


FIG. 4

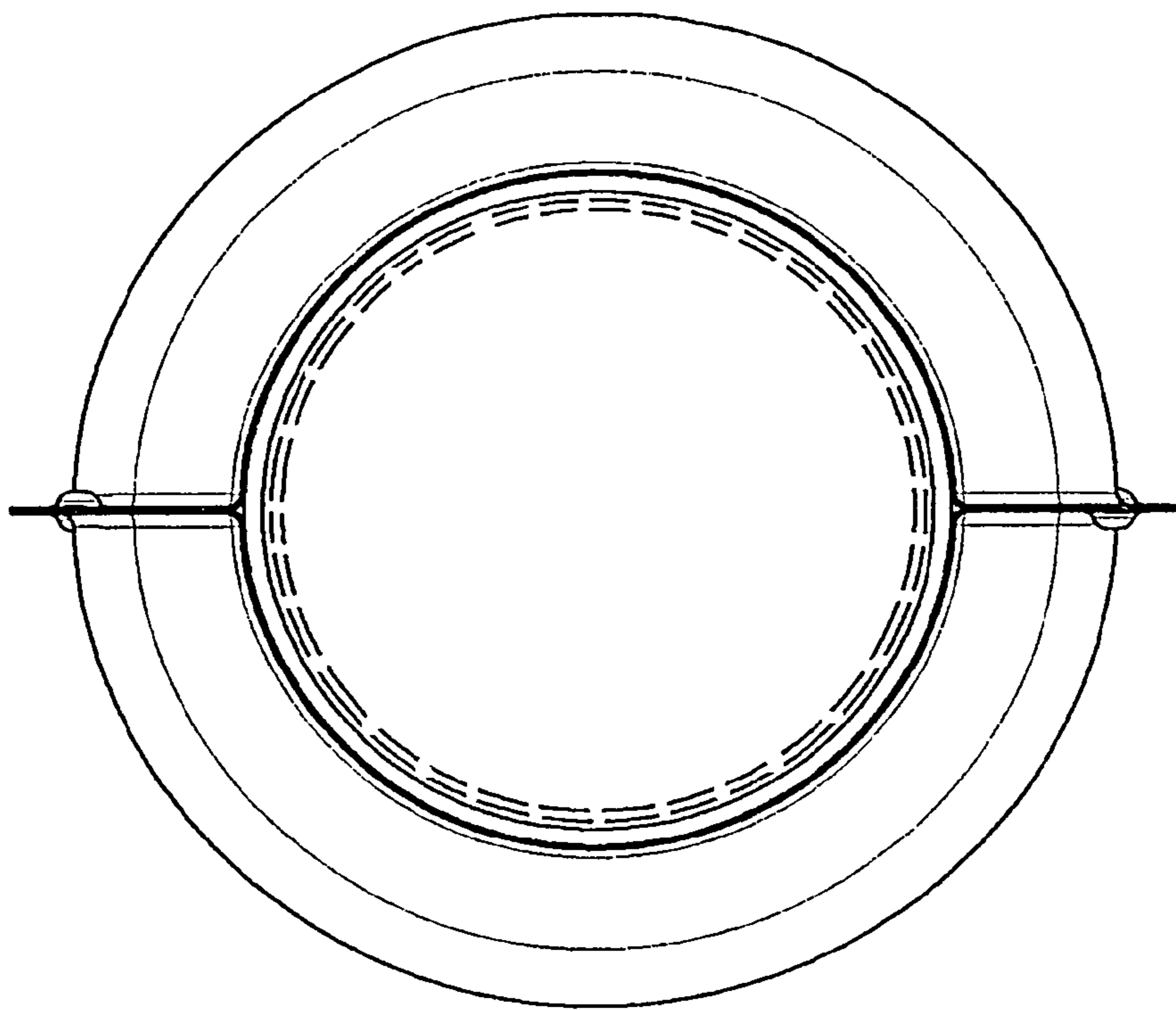


FIG. 5