



US00D733267S

(12) **United States Design Patent**
McCarter

(10) **Patent No.:** **US D733,267 S**
(45) **Date of Patent:** **** Jun. 30, 2015**

(54) **PIPE CLAMP**

(71) Applicant: **Marcus C. McCarter**, Catawissa, MO
(US)

(72) Inventor: **Marcus C. McCarter**, Catawissa, MO
(US)

(73) Assignee: **O'Brien Holding Co., Inc.**, Saint Louis,
MO (US)

(**) Term: **14 Years**

(21) Appl. No.: **29/435,004**

(22) Filed: **Oct. 18, 2012**

(51) **LOC (10) Cl.** **23-01**

(52) **U.S. Cl.**
USPC **D23/265**

(58) **Field of Classification Search**
USPC D23/245, 248, 249, 259, 262, 265;
D8/60, 71-74, 394, 396, 397, 399;
D15/140; 248/72; 285/197, 420
See application file for complete search history.

(56) **References Cited**

U.S. PATENT DOCUMENTS

D136,697 S *	11/1943	Pitou et al.	D23/265
2,642,243 A *	6/1953	Kindorf	248/72
D196,936 S *	11/1963	Franck et al.	D8/60
3,341,909 A *	9/1967	Havener	24/486
D219,572 S *	12/1970	Shames	D8/60
D236,941 S *	9/1975	Seaverns et al.	D8/73
3,902,931 A *	9/1975	Danciger et al.	248/227.3
D249,889 S *	10/1978	DeAmicis	D23/259
D250,125 S *	10/1978	Wilcock	D23/262
D262,237 S *	12/1981	Stauber	D24/128
D270,808 S *	10/1983	Wolcott	D8/60

D304,200 S *	10/1989	MacKelvie	D15/140
D358,971 S *	6/1995	Glynn	D8/73
D389,228 S *	1/1998	Winterer et al.	D23/245
6,055,732 A *	5/2000	Hu	30/102
D431,765 S *	10/2000	Huang	D8/60
D443,493 S *	6/2001	Skeem	D8/72
D453,671 S *	2/2002	Von Fange	D8/72
D485,150 S *	1/2004	Loparo	D8/107
D583,640 S *	12/2008	Gilham	D8/73
8,038,106 B2 *	10/2011	Magno et al.	248/72
D668,522 S *	10/2012	Henderson	D8/73
D697,773 S *	1/2014	Groten et al.	D8/60
D711,205 S *	8/2014	Groten et al.	D8/60
8,882,056 B2 *	11/2014	Greenfield	248/72

* cited by examiner

Primary Examiner — Eric Goodman

Assistant Examiner — Daniel J Domino

(74) *Attorney, Agent, or Firm* — Polster, Linder, Woodruff &
Luccheni, LLC

(57) **CLAIM**

The ornamental design for a pipe clamp, as shown and described.

DESCRIPTION

FIG. 1 is a view in perspective of a pipe clamp in accordance with my design.

FIG. 2 is a view in right side elevation thereof.

FIG. 3 is a view in left side elevation thereof.

FIG. 4 is a rear elevation thereof.

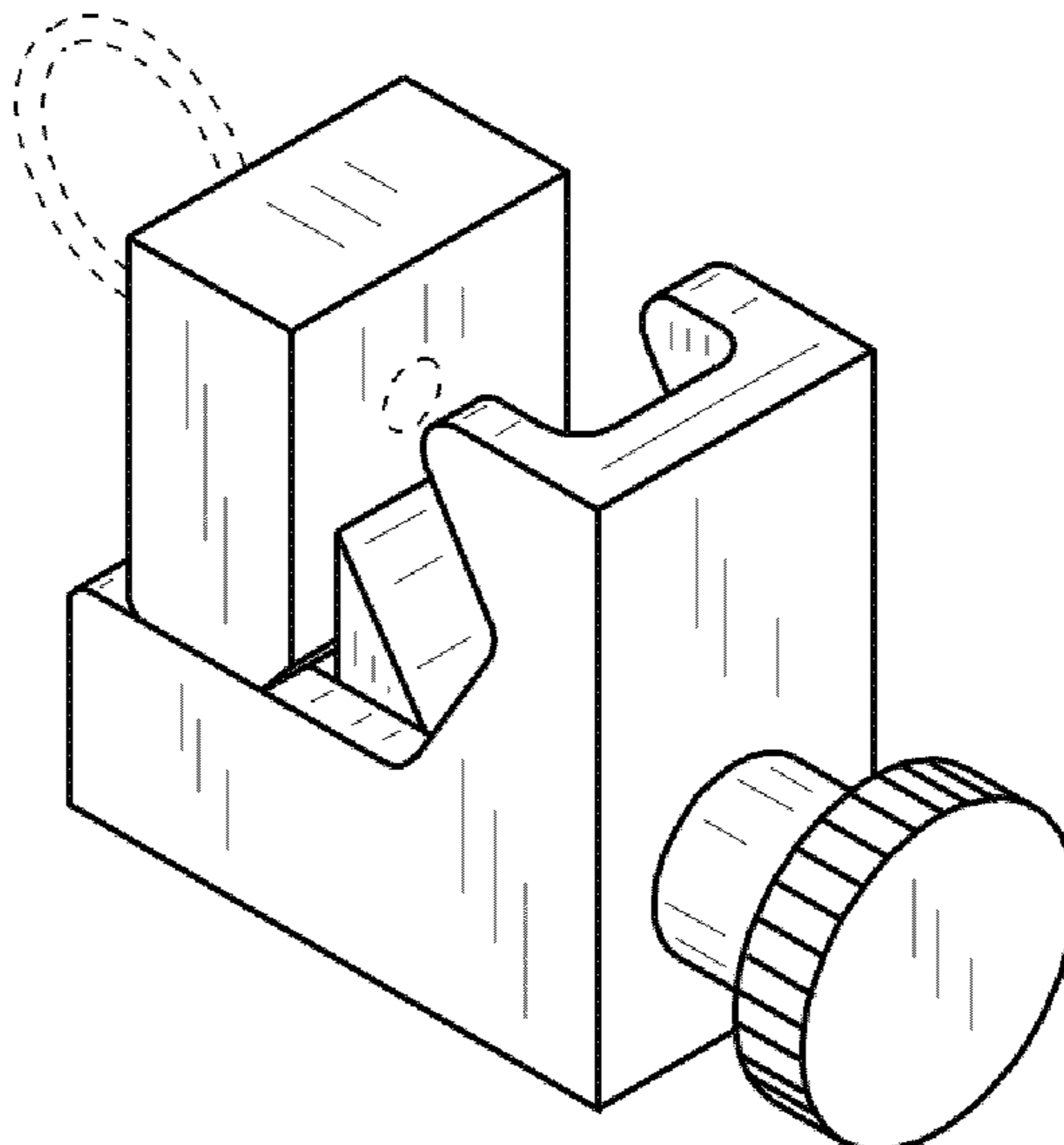
FIG. 5 is a front elevation thereof.

FIG. 6 is a top plan view thereof; and,

FIG. 7 is a bottom plan view thereof.

The broken line showing is included for the purpose of illustrating portions of the article and forms no part of the claimed design.

1 Claim, 1 Drawing Sheet



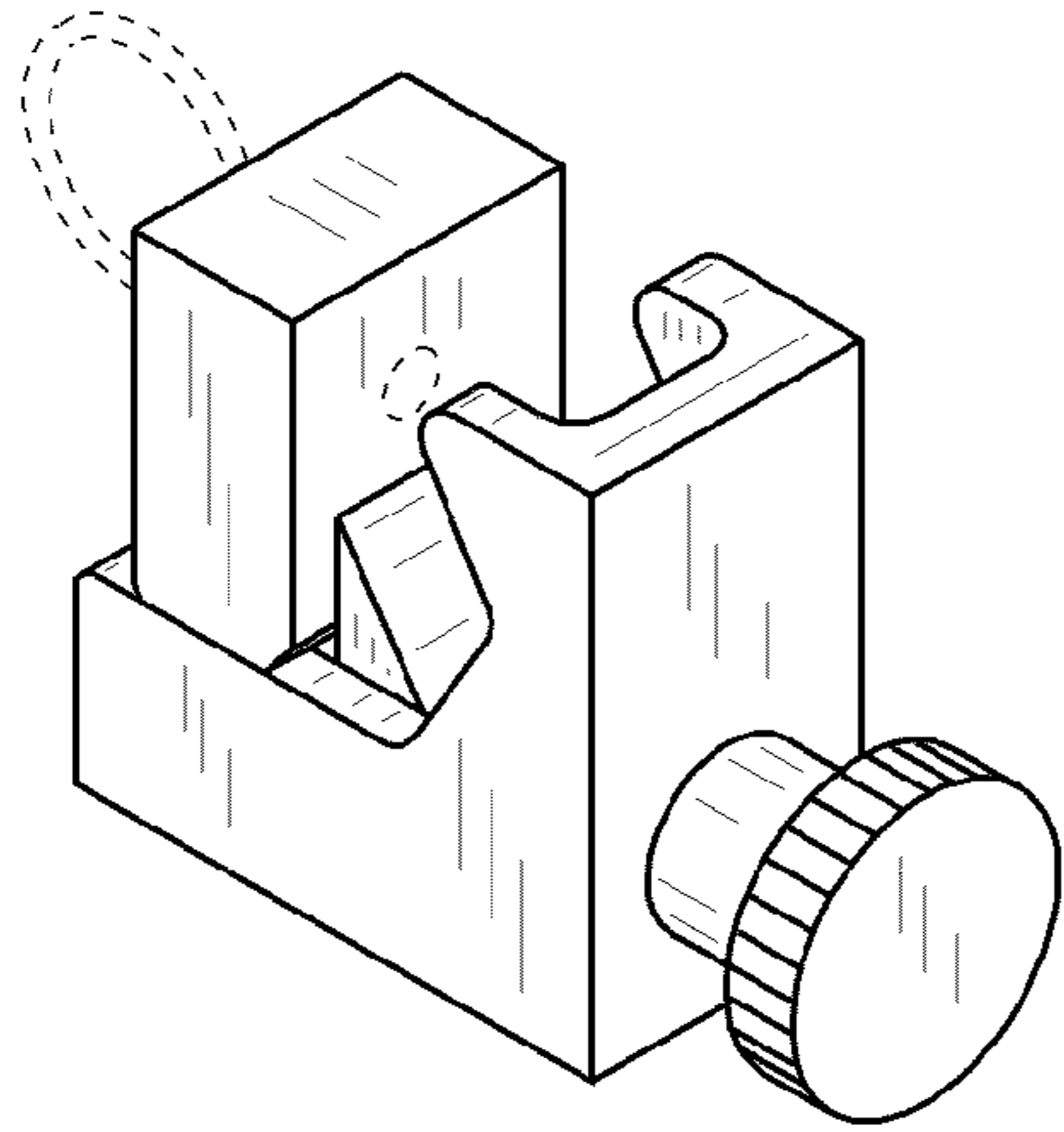


FIG. 1

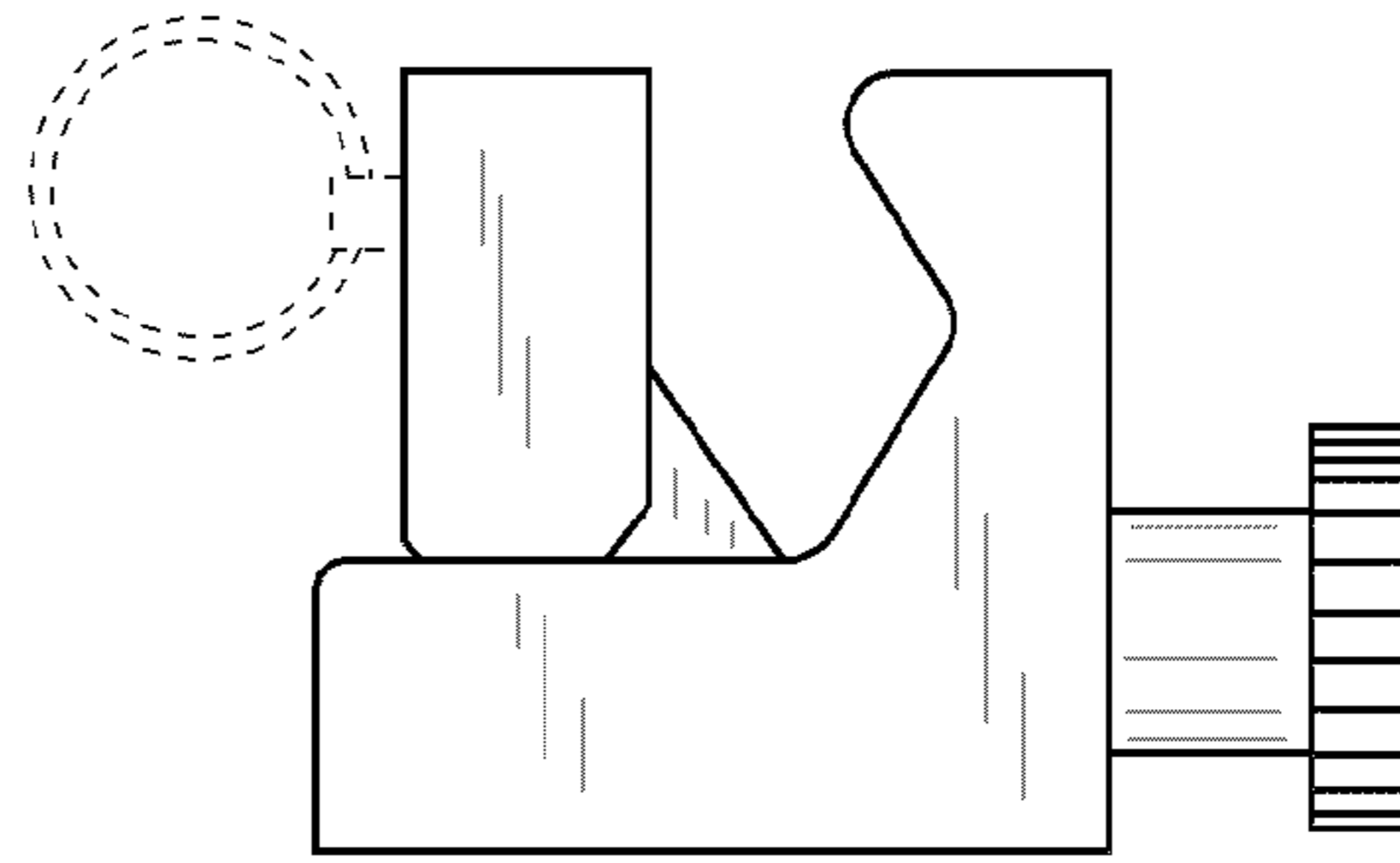


FIG. 2

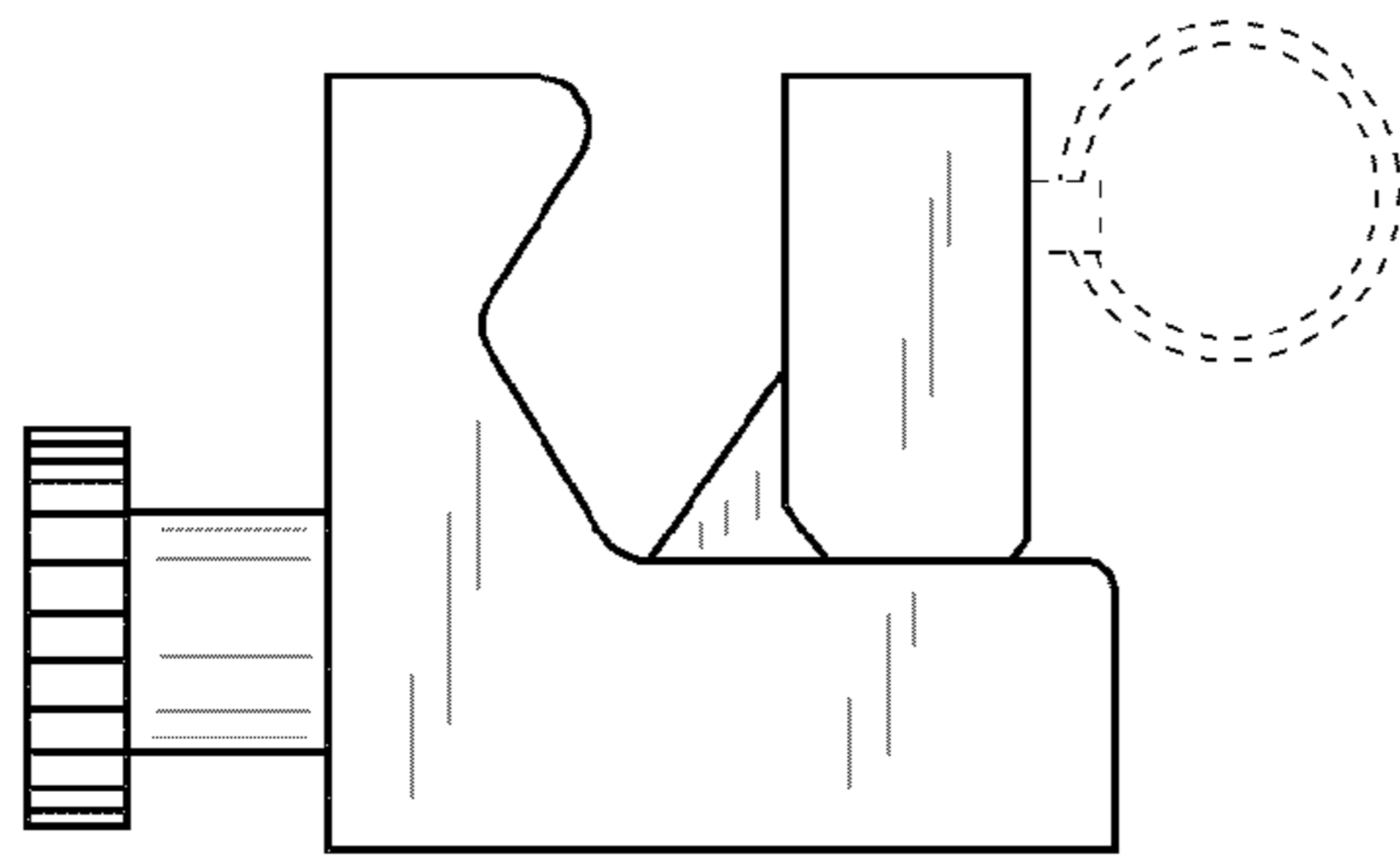


FIG. 3

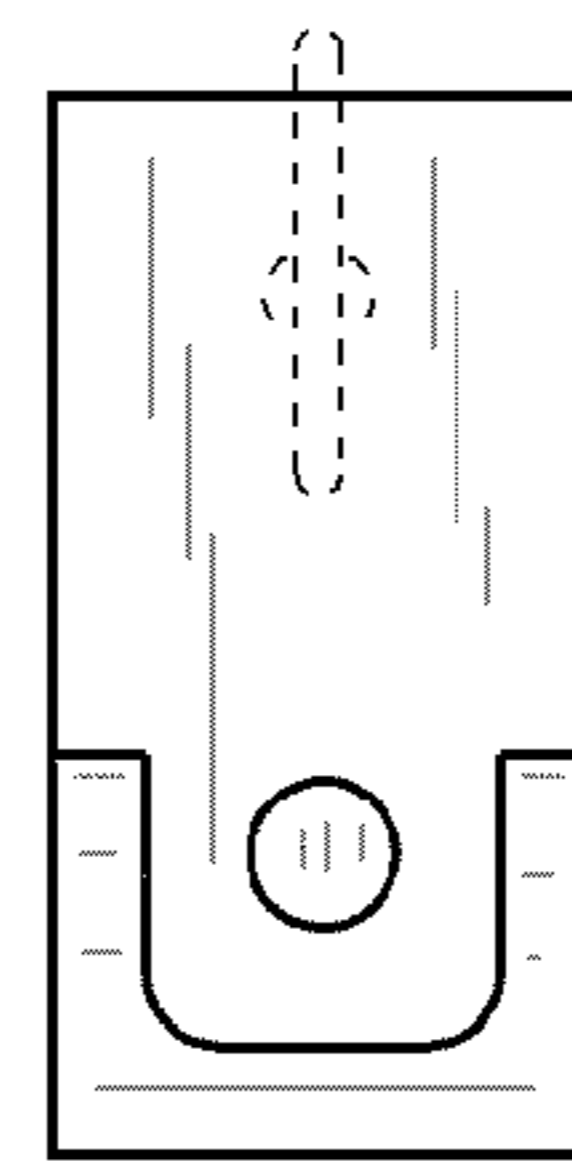


FIG. 4

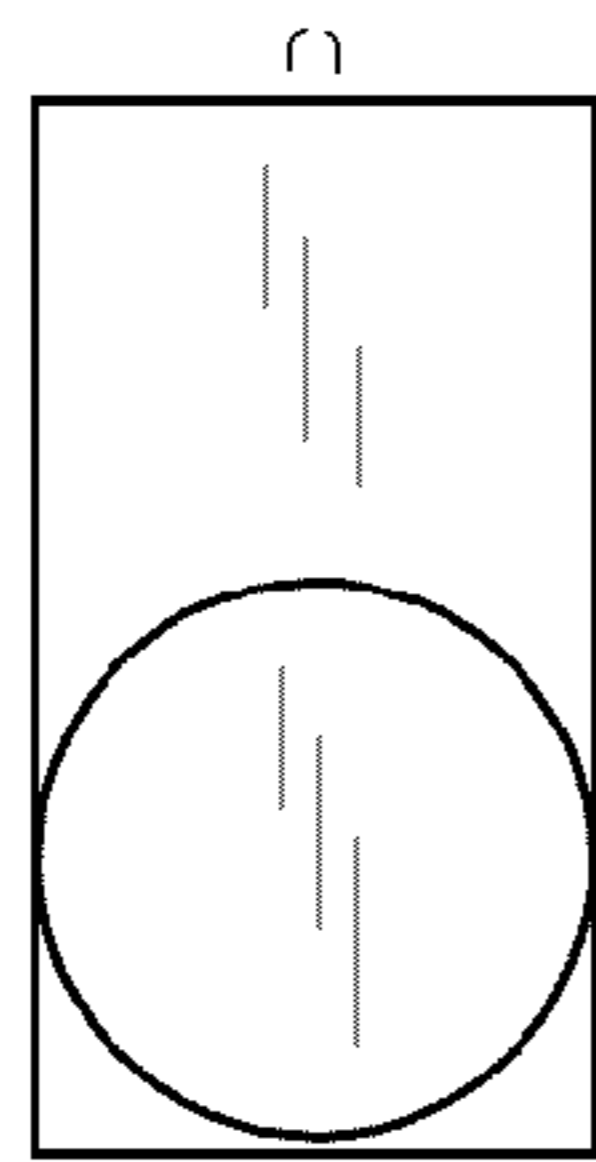


FIG. 5

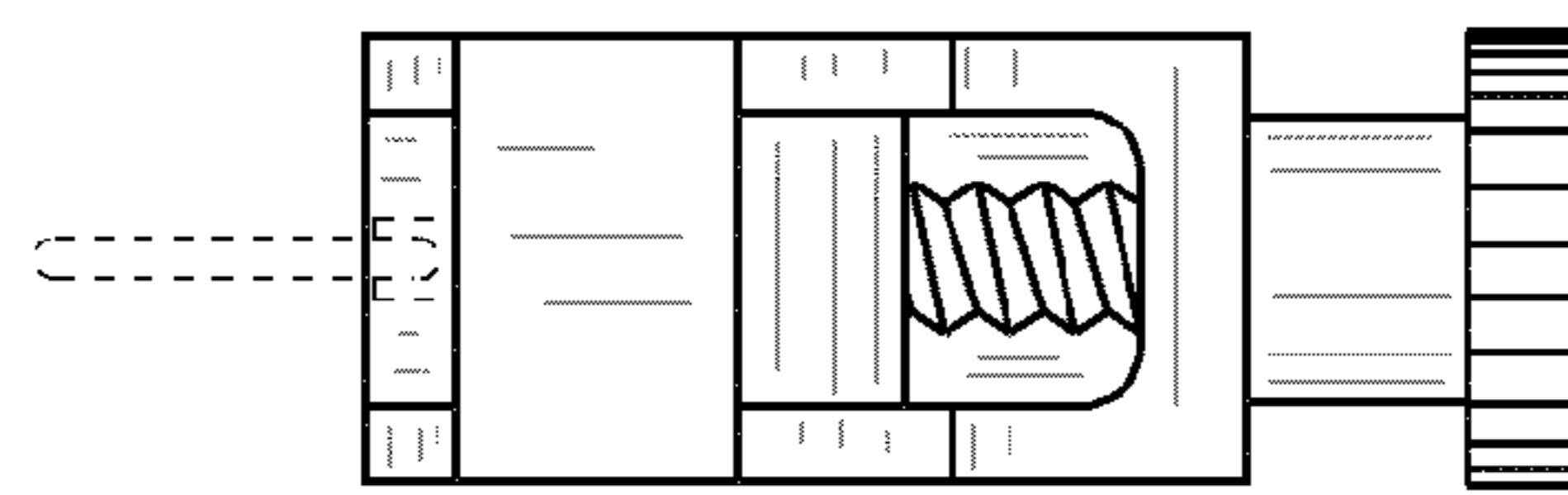


FIG. 6

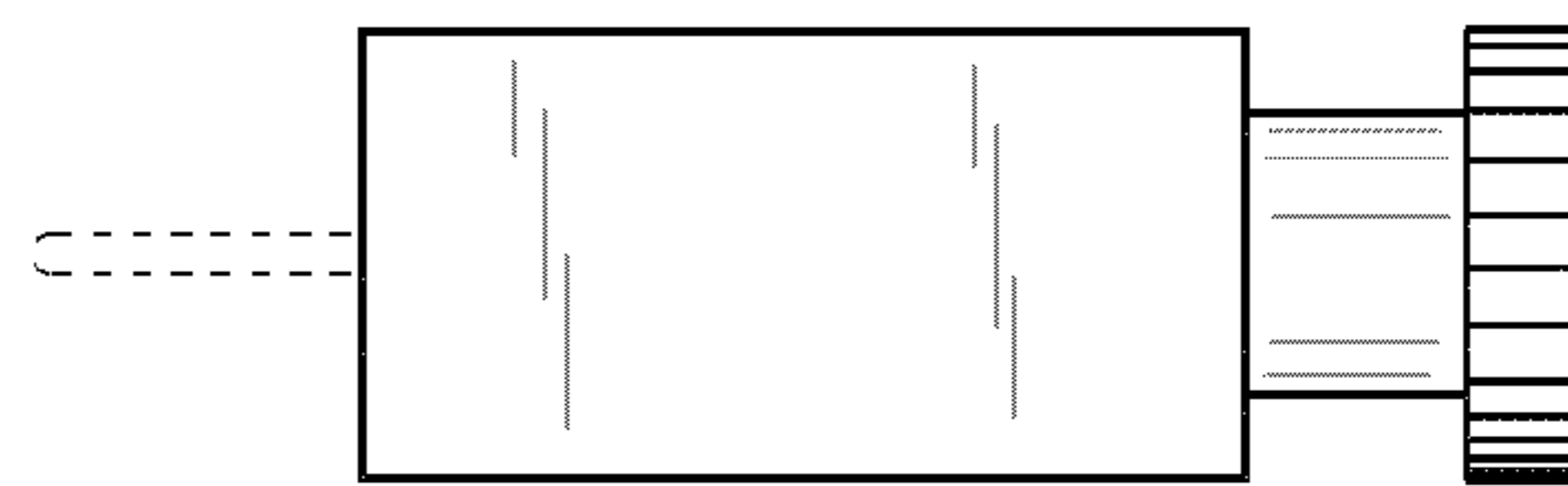


FIG. 7