



US00D733266S

(12) **United States Design Patent**  
**Bednarz et al.**

(10) **Patent No.:** **US D733,266 S**  
(45) **Date of Patent:** **\*\* Jun. 30, 2015**

(54) **PIPE FITTING**

(71) Applicants: **Anthony Gary Bednarz**, Dighton, MA (US); **Robert R. Smith**, Villa Rica, GA (US); **Larry E. Hall**, Pell City, AL (US); **Donald Eugene Griggs, III**, Oxford, AL (US)

(72) Inventors: **Anthony Gary Bednarz**, Dighton, MA (US); **Robert R. Smith**, Villa Rica, GA (US); **Larry E. Hall**, Pell City, AL (US); **Donald Eugene Griggs, III**, Oxford, AL (US)

(73) Assignee: **Tyco Fire Products LP**, Lansdale, PA (US)

(\*\*) Term: **14 Years**

(21) Appl. No.: **29/434,520**

(22) Filed: **Oct. 12, 2012**

(51) **LOC (10) Cl.** ..... **23-01**

(52) **U.S. Cl.**  
USPC ..... **D23/263**

(58) **Field of Classification Search**  
USPC ..... D23/213, 223, 224, 229, 230, 259, 263, D23/266; D24/129; D13/155; 138/103, 105, 138/109, 118, 118.1, 121, 122, 126, 128, 138/140, 154, 155, 157, 158, 167, 173, 138/177; 285/58, 83, 124.1, 124.5, 179, 285/179.1

See application file for complete search history.

(56) **References Cited**

**U.S. PATENT DOCUMENTS**

D52,954 S *	2/1919	Hubbard et al.	.....	D13/155
D52,956 S *	2/1919	Hubbard et al.	.....	D13/155
D53,689 S *	8/1919	Pickop et al.	.....	D23/263
D132,938 S *	6/1942	Corley et al.	.....	D23/263
D135,633 S *	5/1943	Stark et al.	.....	D23/263
D135,634 S *	5/1943	Stark et al.	.....	D23/263
D348,723 S *	7/1994	Carroll	.....	D23/263
D389,562 S *	1/1998	Picton	.....	D23/263
D480,786 S *	10/2003	Wilk et al.	.....	D23/263
D480,787 S *	10/2003	Wilk et al.	.....	D23/263

D481,109 S *	10/2003	Dole et al.	.....	D23/263
D481,110 S *	10/2003	Snyder et al.	.....	D23/263
D481,447 S *	10/2003	Dole et al.	.....	D23/263
D482,103 S *	11/2003	Snyder et al.	.....	D23/263
D597,182 S *	7/2009	Choi	.....	D23/263
D615,631 S *	5/2010	Price et al.	.....	D23/263
D634,818 S *	3/2011	Leroyer	.....	D23/263
D634,819 S *	3/2011	Leroyer	.....	D23/263
D652,121 S *	1/2012	Bonhag et al.	.....	D23/263
D652,122 S *	1/2012	Bonhag et al.	.....	D23/263
D656,225 S *	3/2012	Dole et al.	.....	D23/263

**OTHER PUBLICATIONS**

Tyco Pipe Fittings, reference date Apr. 1, 2011 (online), [site visited Oct. 28, 2014. Available from internet <URL: <http://www.fireengineering.com/articles/2011/04/tyco-fire-products-introduces-new-name-for-fire-grooved-products.html>>.\*

U.S. Appl. No. 29/434,498 (Co-pending U.S. Appl. No. 29/434,732).  
U.S. Appl. No. 29/434,732 (Co-pending U.S. Appl. No. 29/434,732).  
U.S. Appl. No. 29/434,521 (Co-pending U.S. Appl. No. 29/434,732).  
U.S. Appl. No. 29/435,150 (Co-pending U.S. Appl. No. 29/434,732).

\* cited by examiner

*Primary Examiner* — Eric Goodman

*Assistant Examiner* — Daniel J Domino

(74) *Attorney, Agent, or Firm* — Perkins Coie LLP

(57) **CLAIM**

The ornamental design for a pipe fitting, as shown and described.

**DESCRIPTION**

FIG. 1 is a top perspective view showing a pipe fitting in accordance with a first embodiment of our new design.

FIG. 2 is a bottom perspective view showing a pipe fitting of the first embodiment of our new design.

FIG. 3 is an end view of the first embodiment of our new design.

FIG. 4 is an end view of the first embodiment of our new design.

FIG. 5 is a top view of the first embodiment of our new design.

FIG. 6 is a top view of the first embodiment of our new design.

FIG. 7 is a right side view of the first embodiment of our new design.

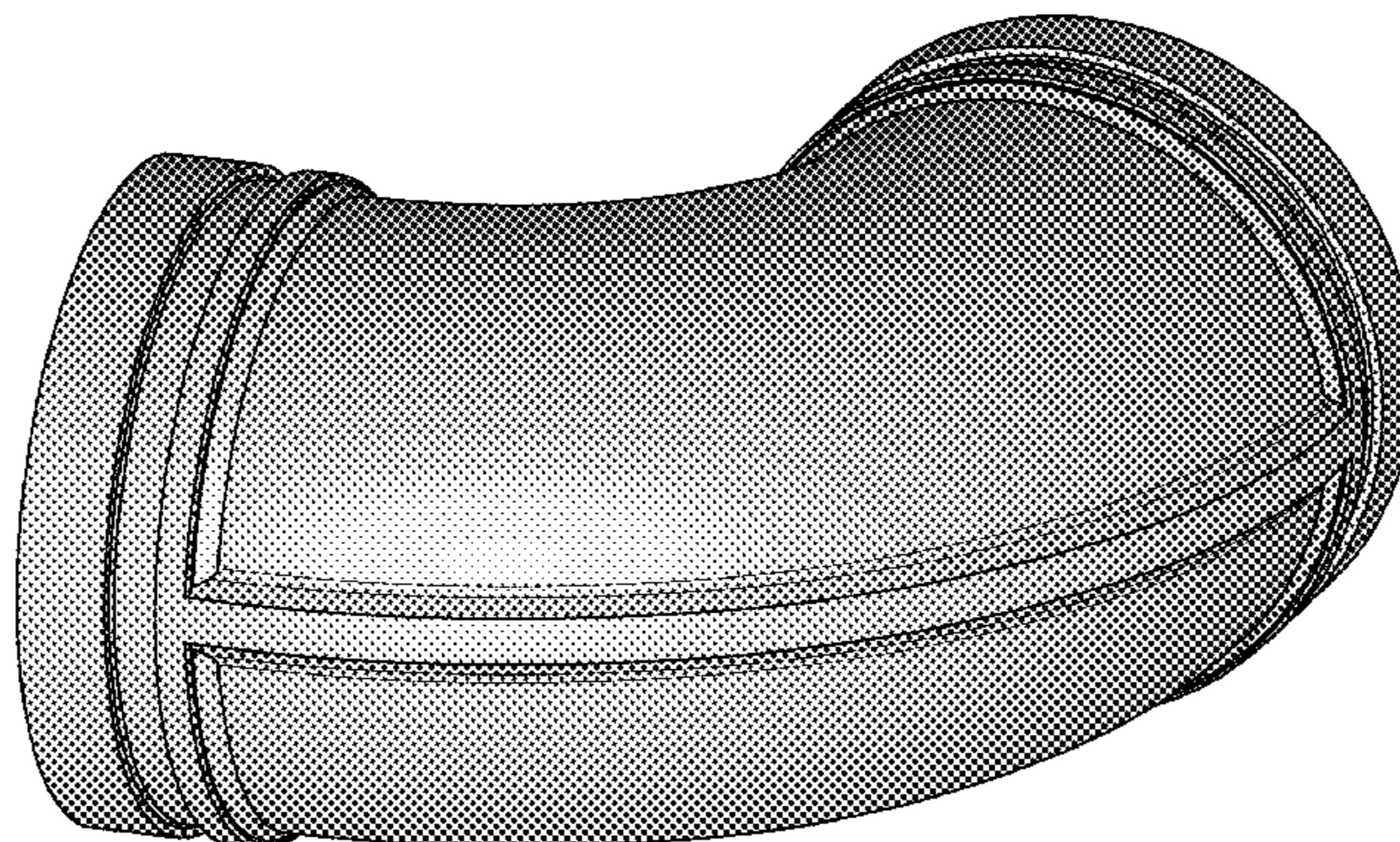


FIG. 8 is a left side view of the first embodiment of our new design.

FIG. 9 is a top perspective view of the second embodiment of our new design.

FIG. 10 is a bottom perspective view of the second embodiment of our new design.

FIG. 11 is an end view of the second embodiment of our new design.

FIG. 12 is a top view of the second embodiment of our new design.

FIG. 13 is a top view of the second embodiment of our new design.

FIG. 14 is an end view of the second embodiment of our new design.

FIG. 15 is a side view of the second embodiment of our new design.

FIG. 16 is a side view of the second embodiment of our new design.

FIG. 17 is a top perspective view of the third embodiment of our new design.

FIG. 18 is an end view of the third embodiment of our new design.

FIG. 19 is an end view of the third embodiment of our new design.

FIG. 20 is an end view of the third embodiment of our new design.

FIG. 21 is a top view of the third embodiment of our new design.

FIG. 22 is an end view of the third embodiment of our new design.

FIG. 23 is a side view of the third embodiment of our new design; and,

FIG. 24 is a side view of the third embodiment of our new design.

**1 Claim, 24 Drawing Sheets**



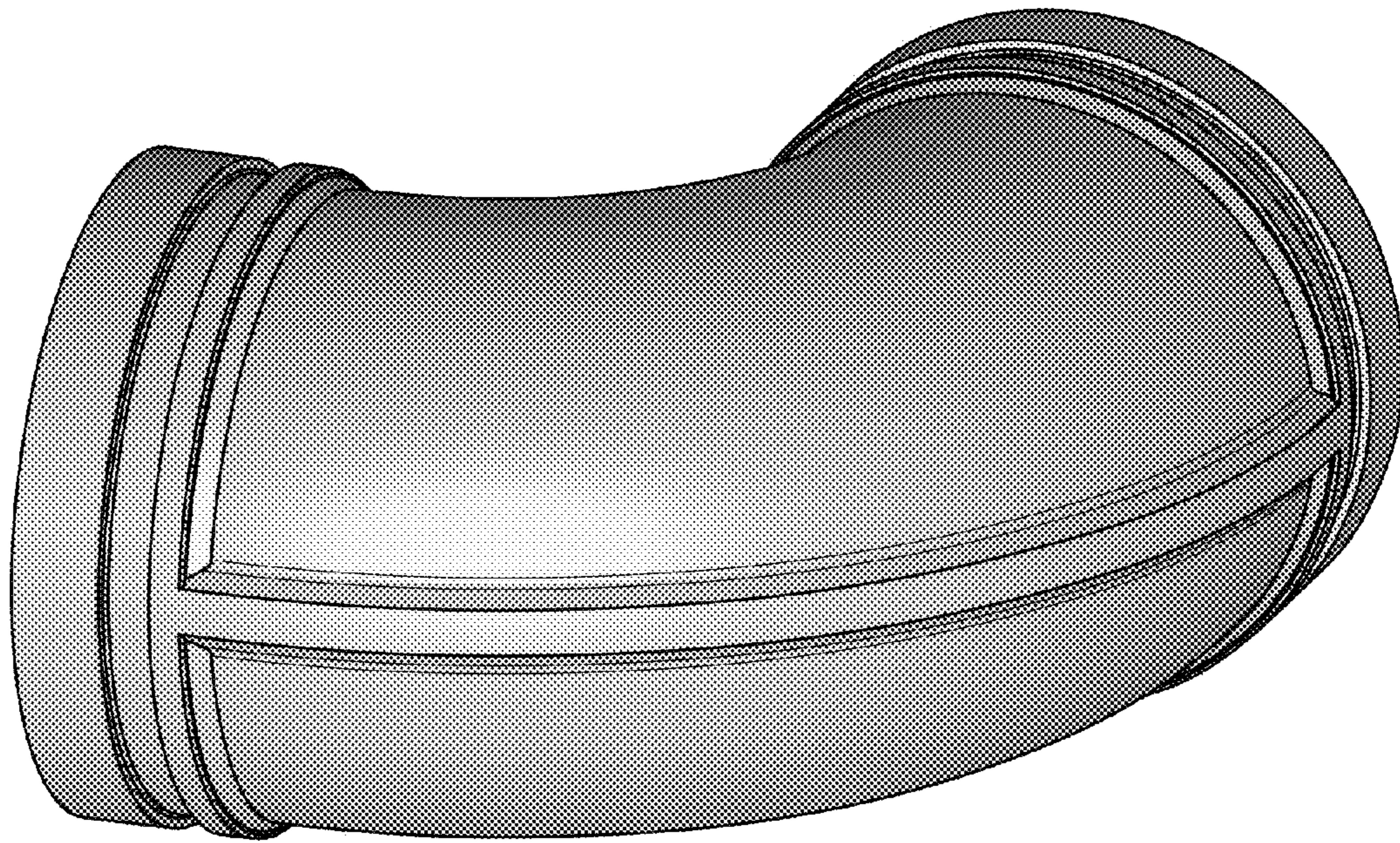


Fig. 1



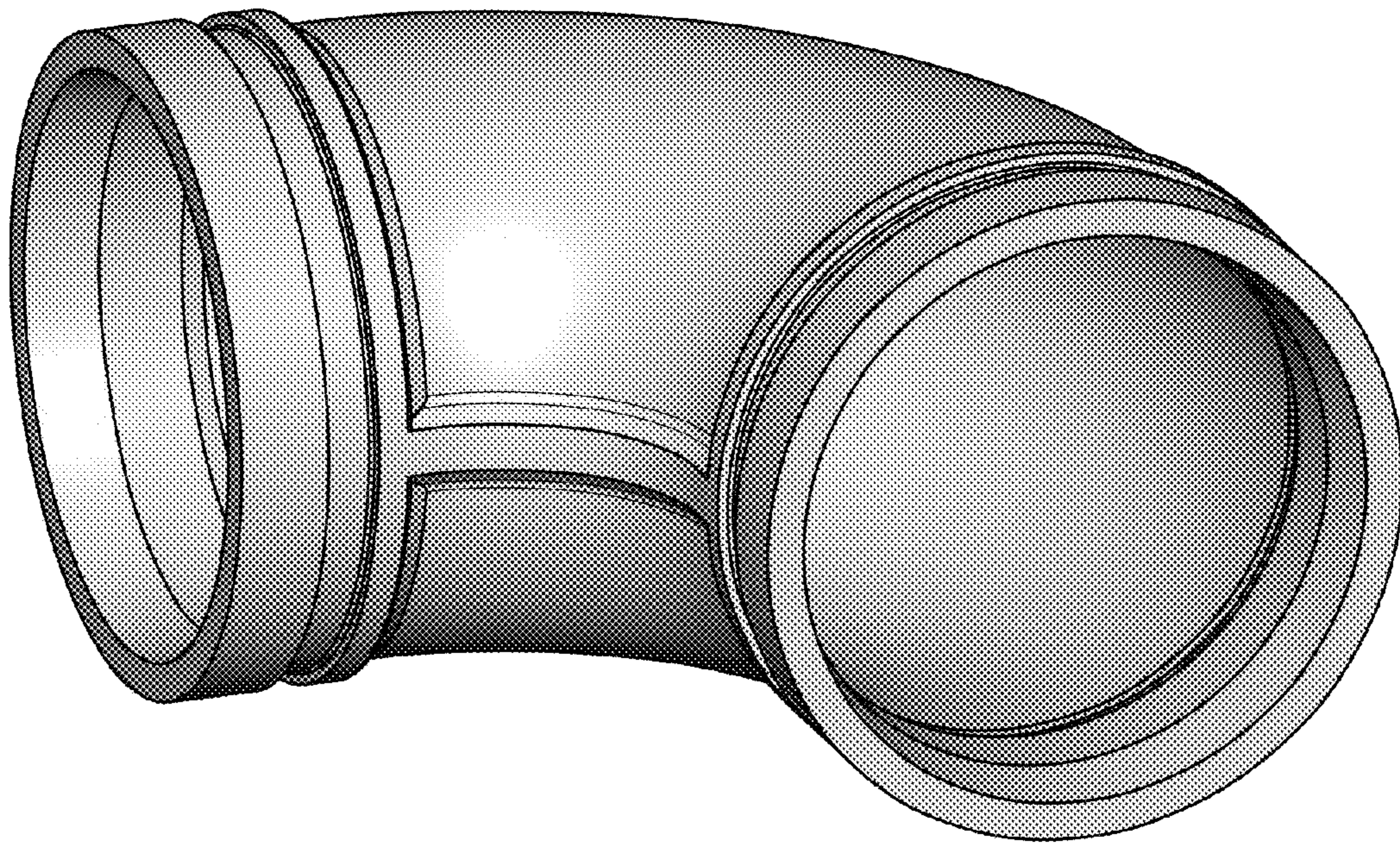


Fig. 2



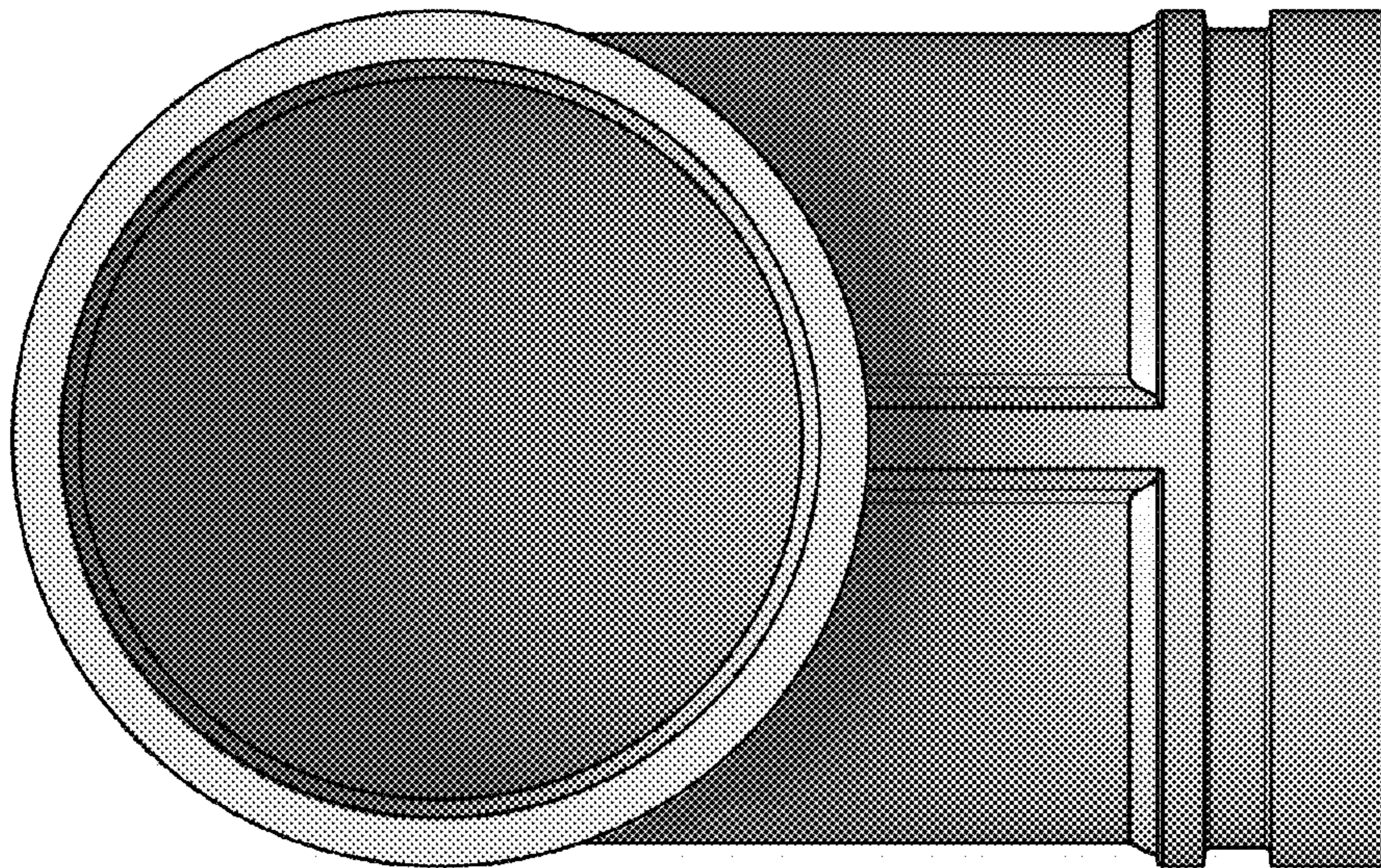


Fig. 3



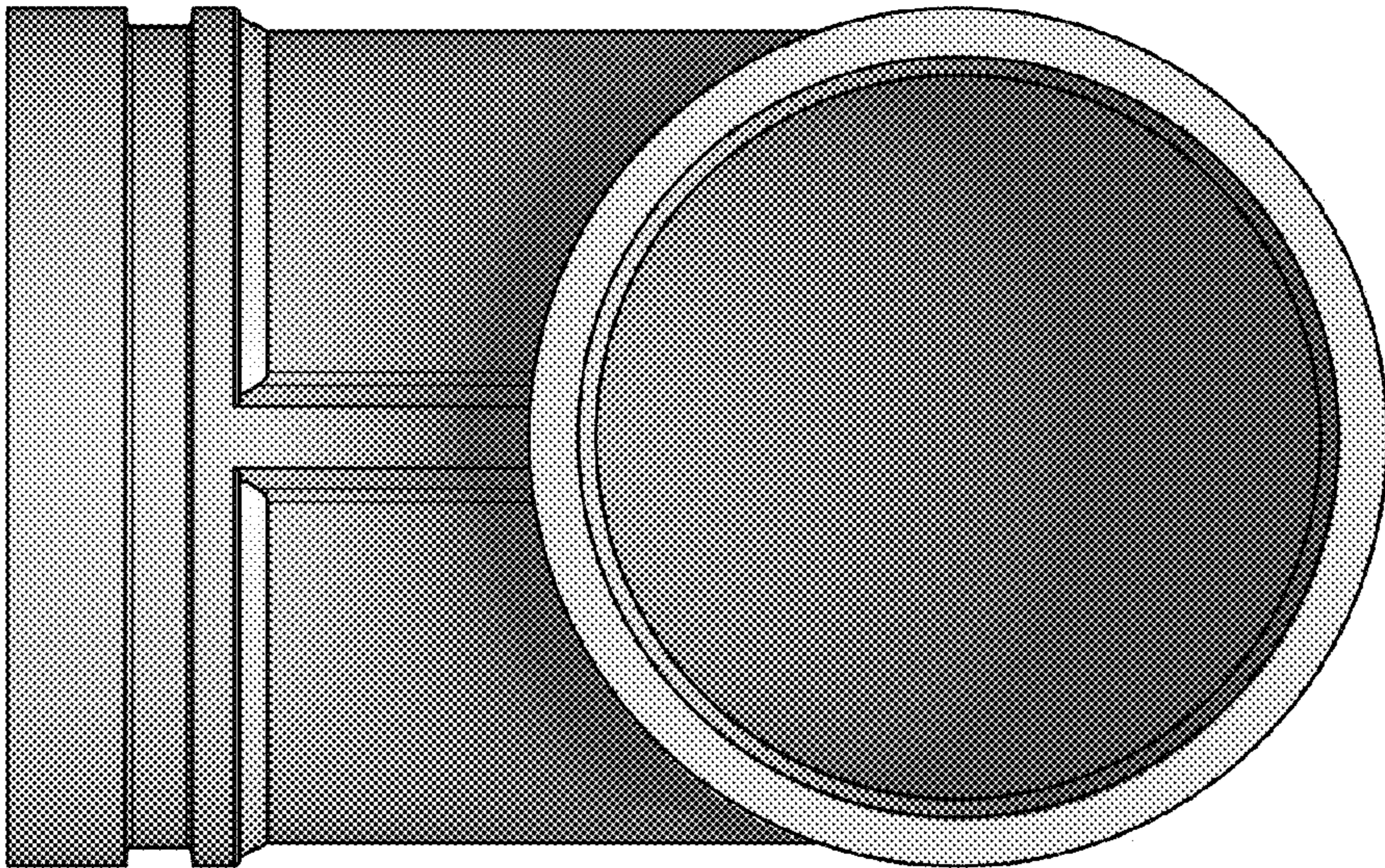


Fig. 4

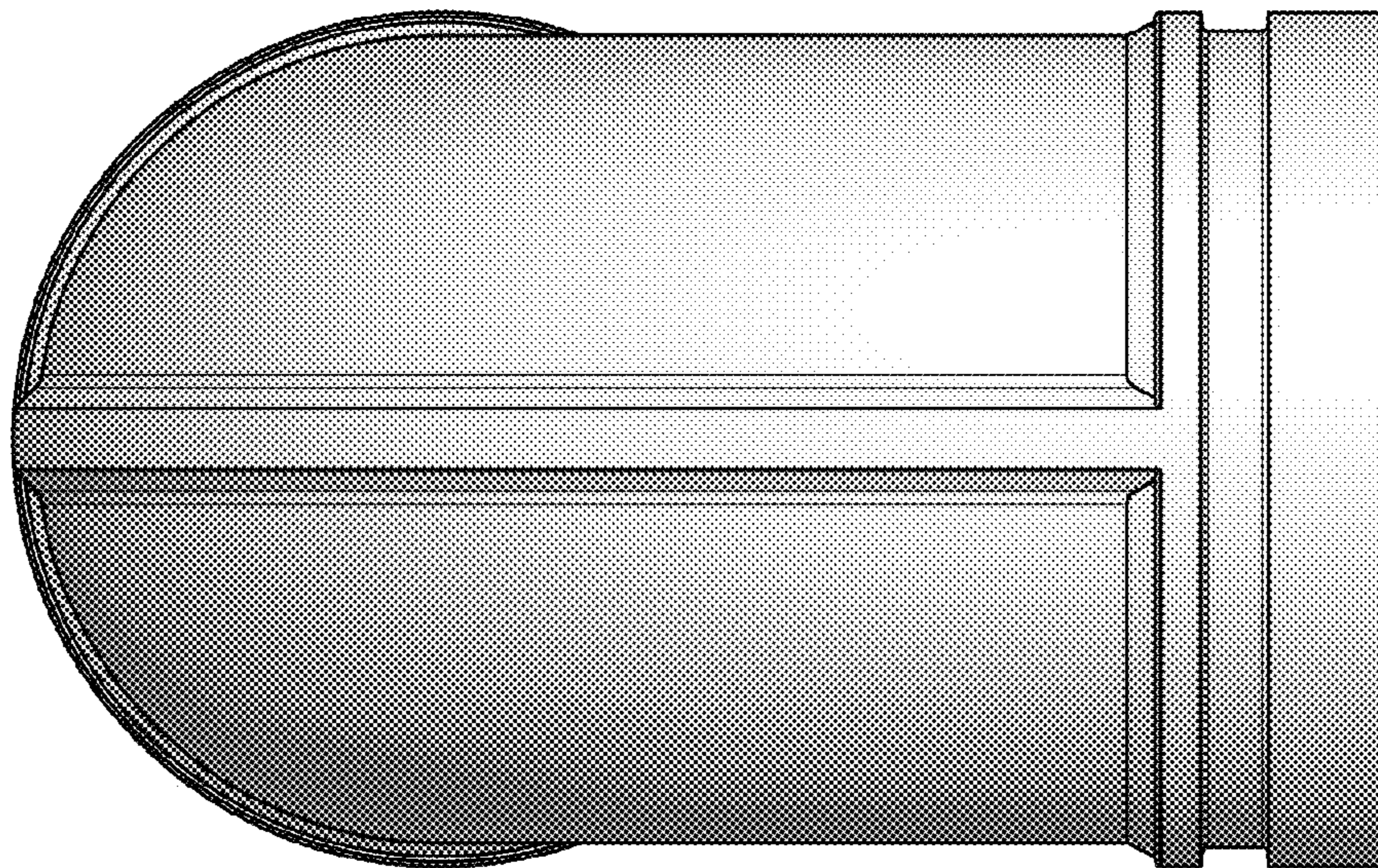


Fig. 5



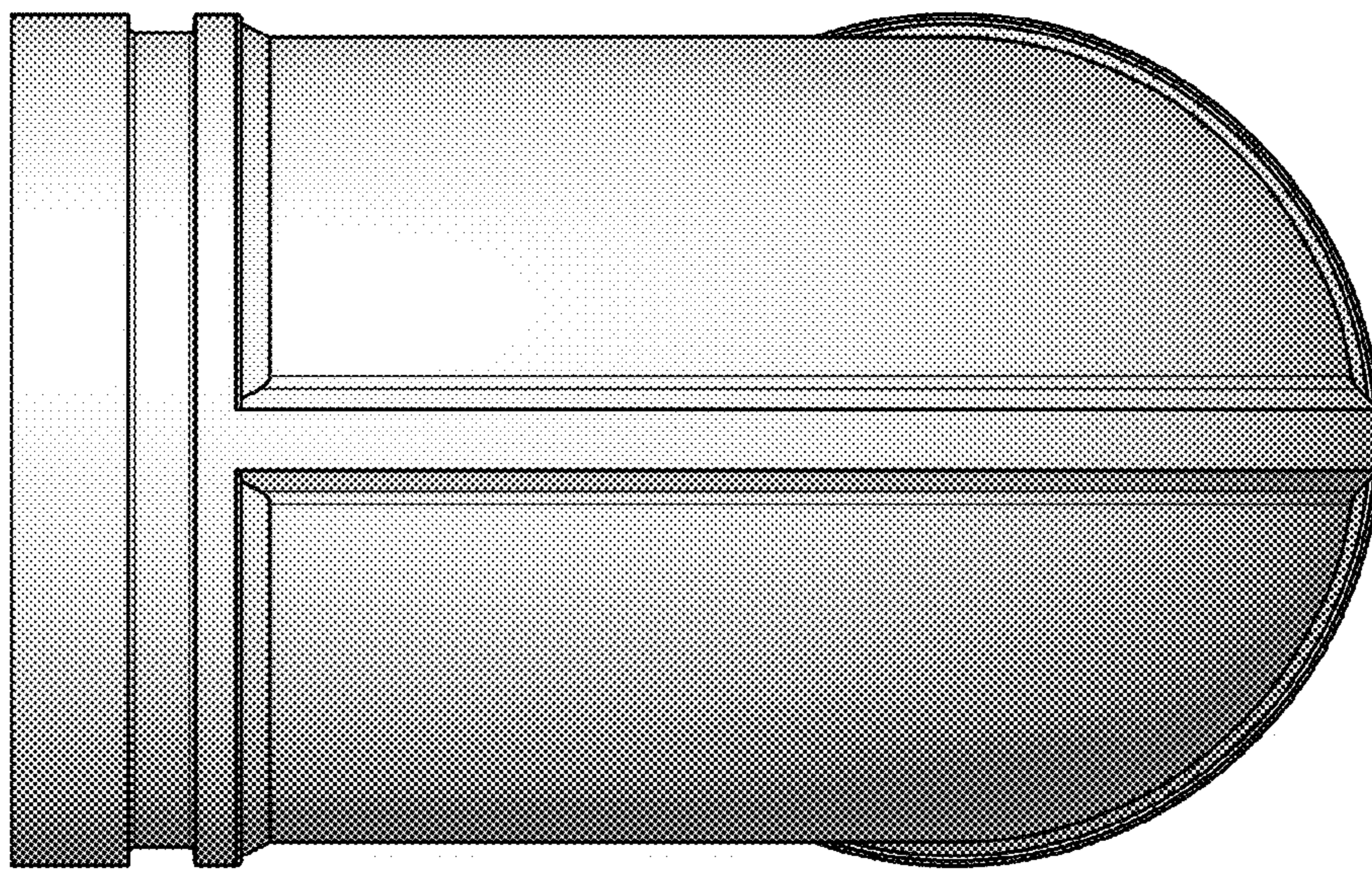


Fig. 6



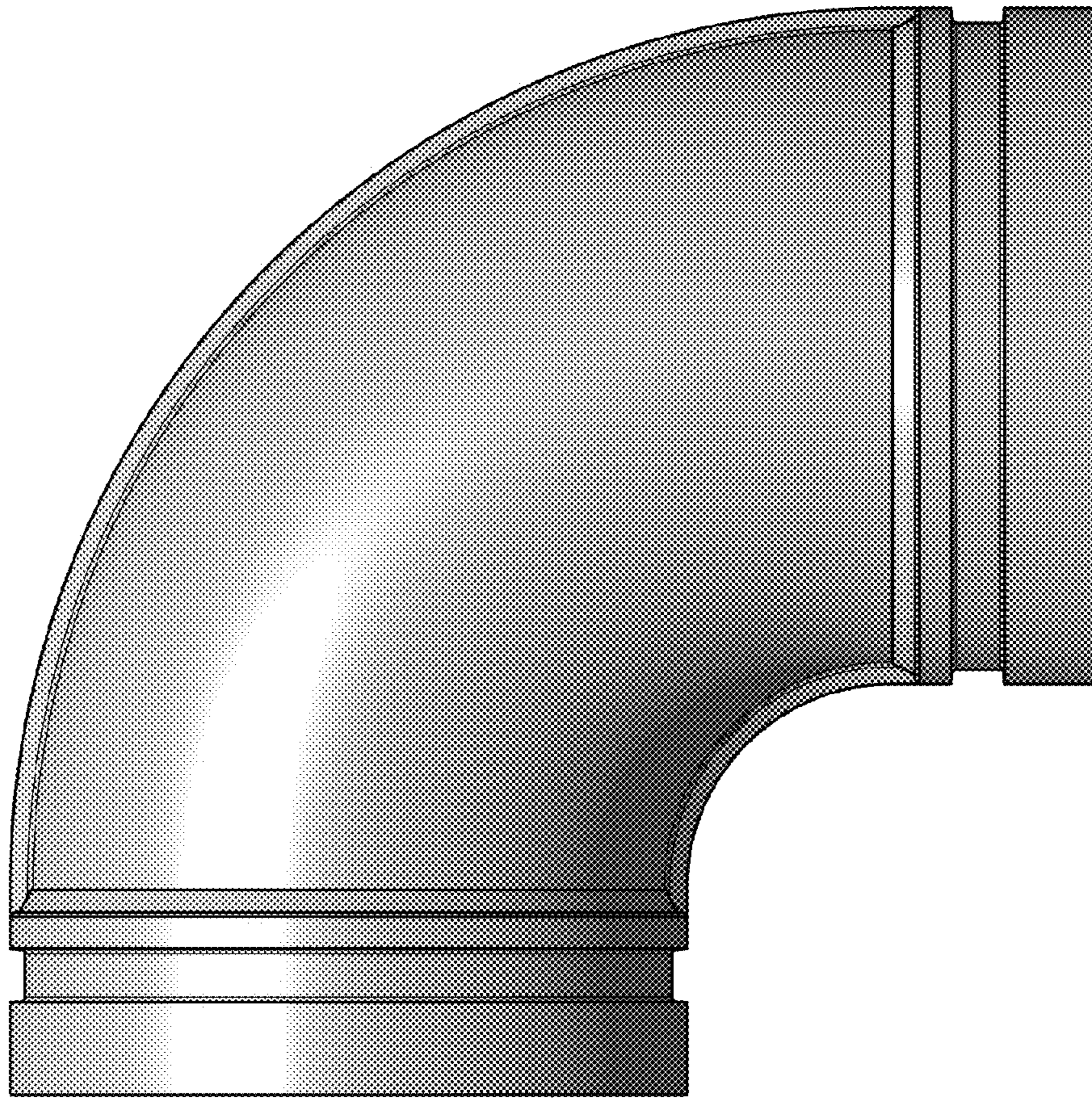


Fig. 7



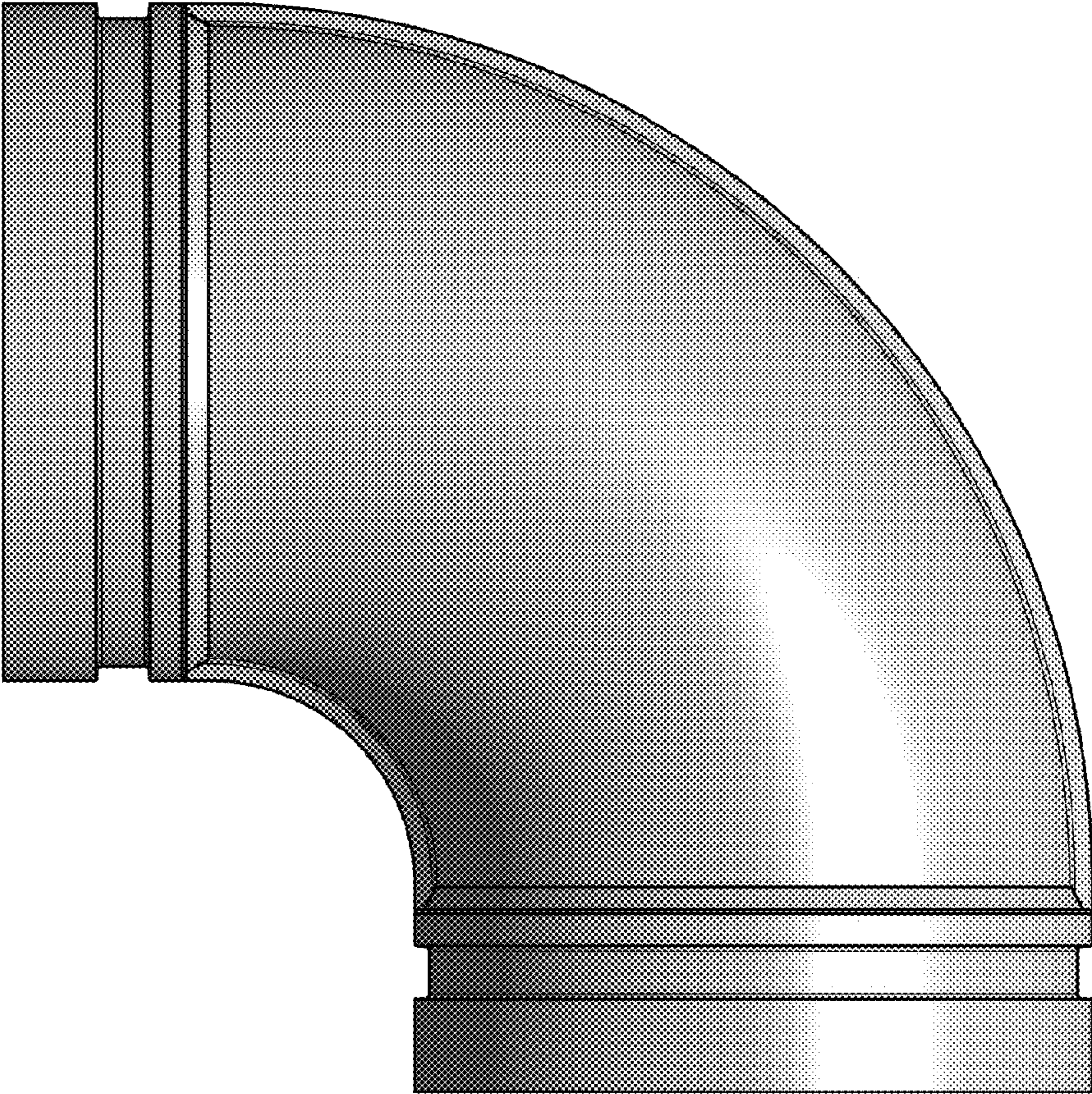


Fig. 8



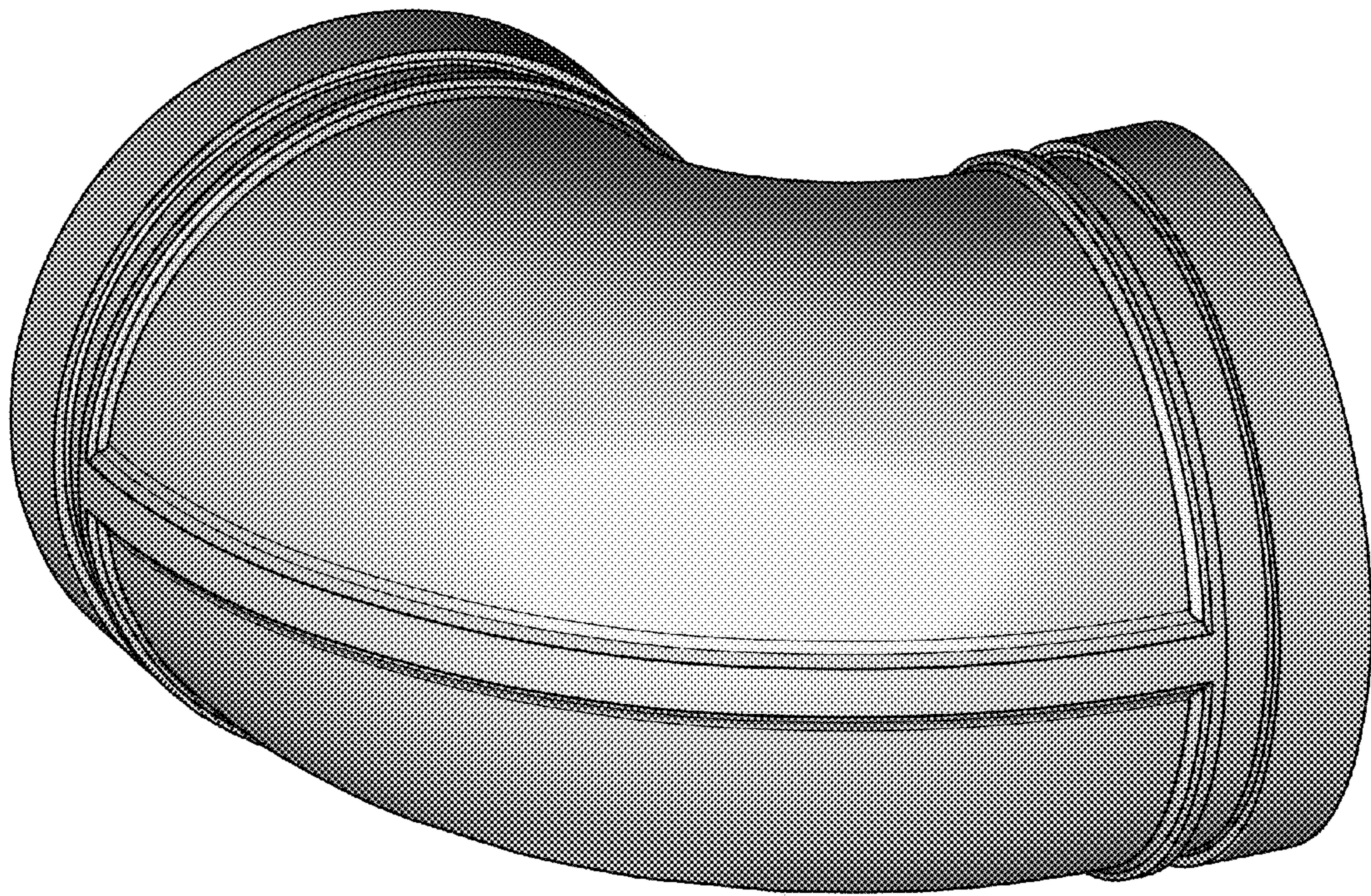


Fig. 9



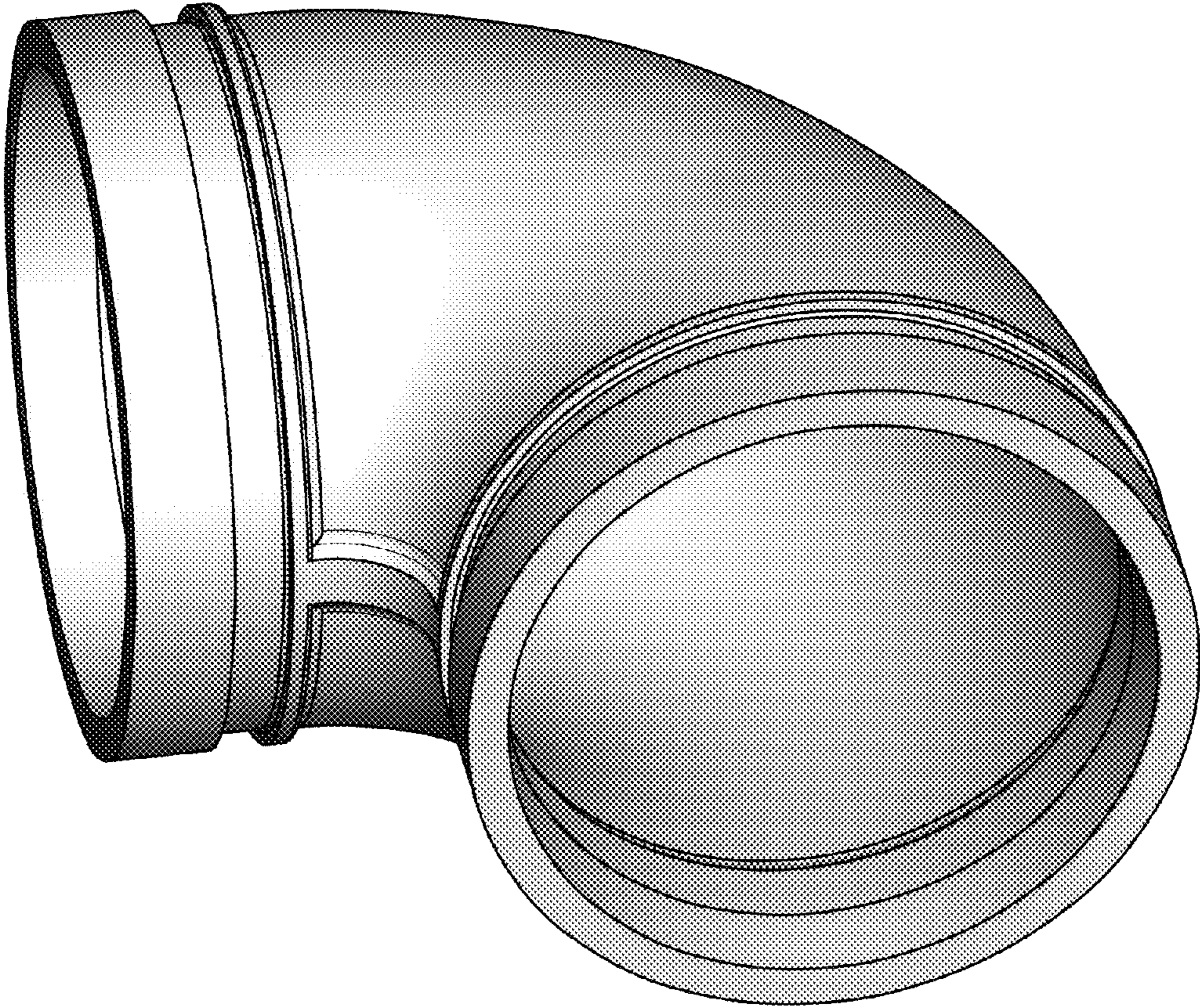


Fig. 10



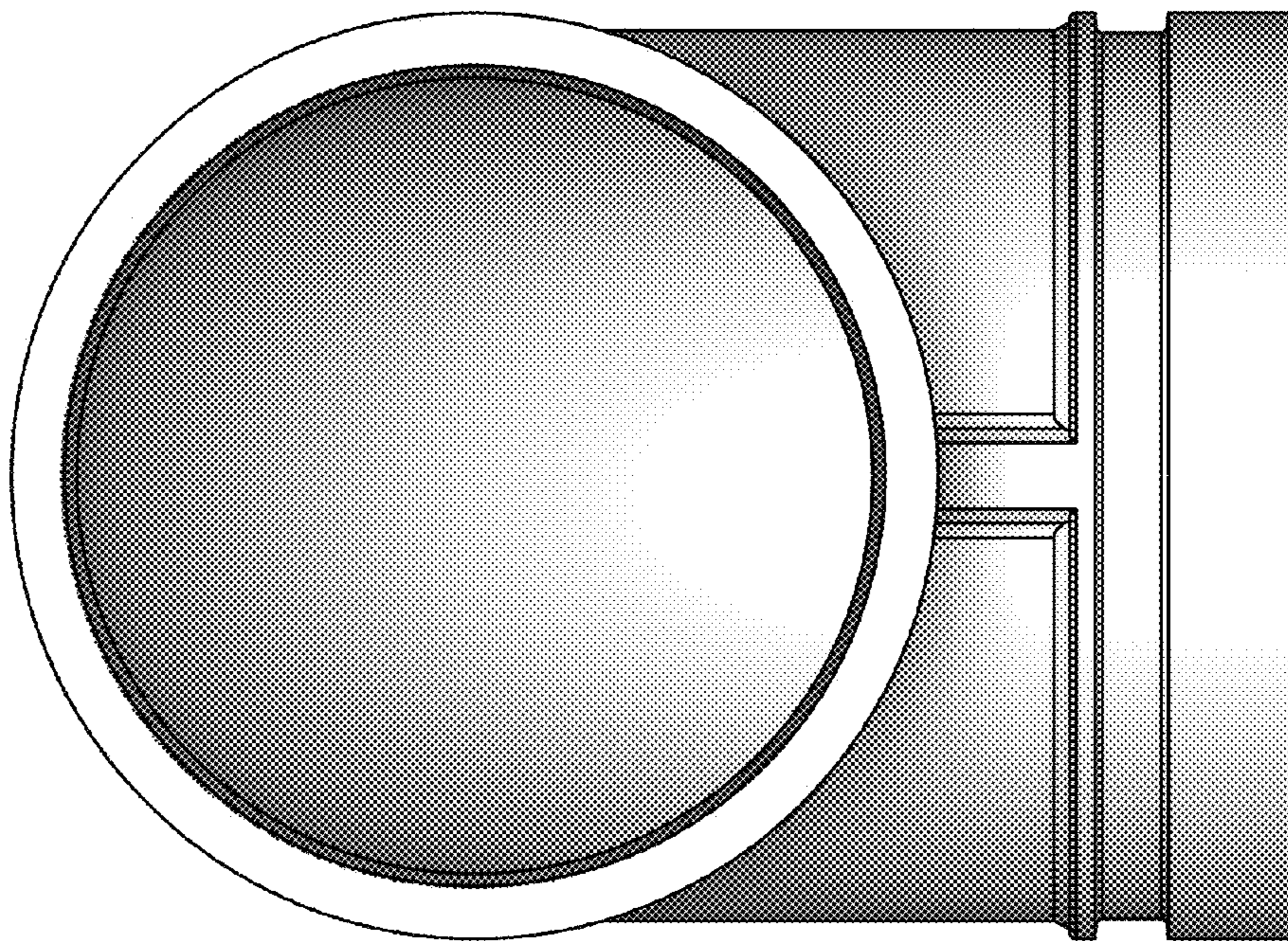


Fig. 11

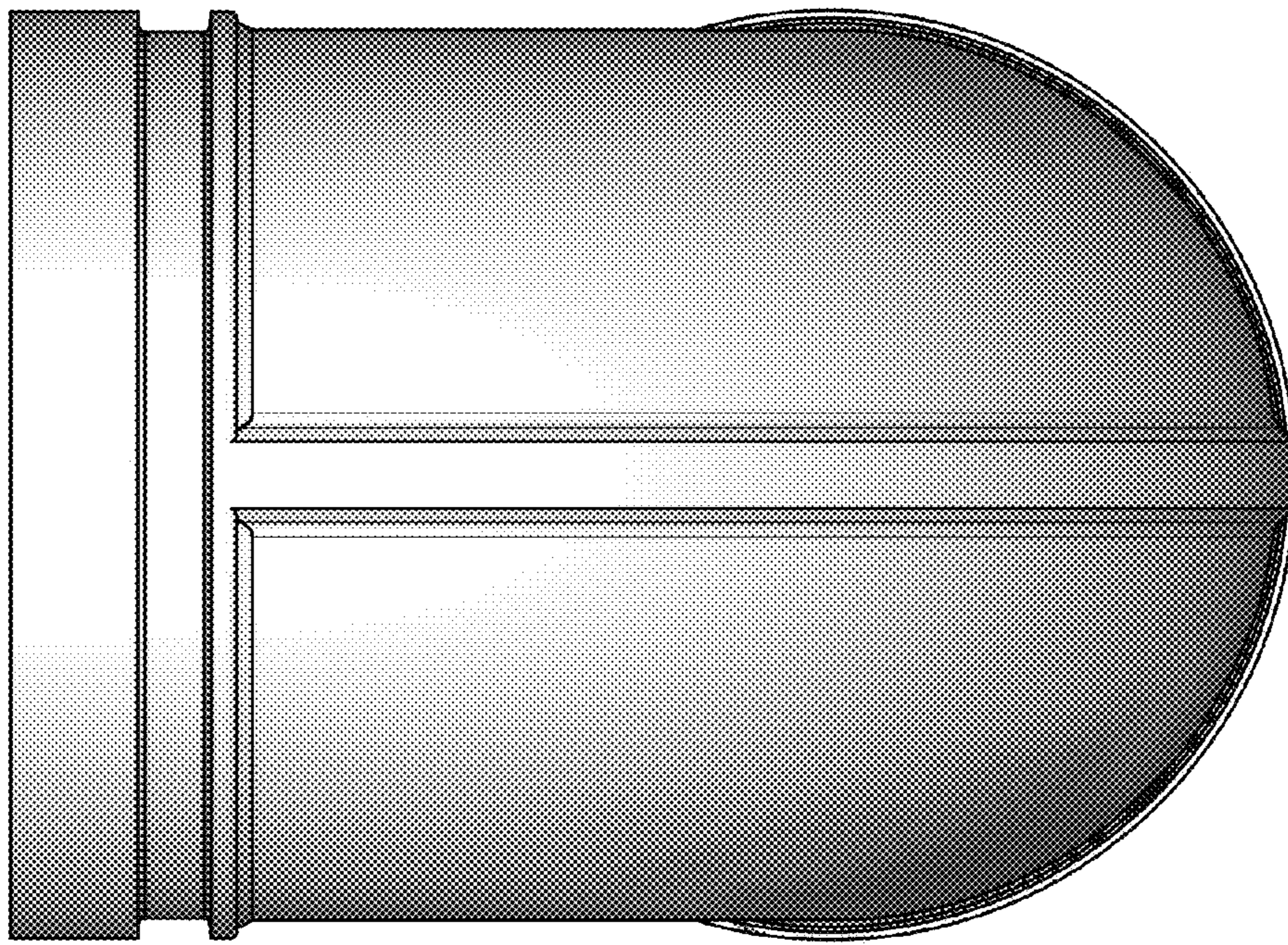


Fig. 12



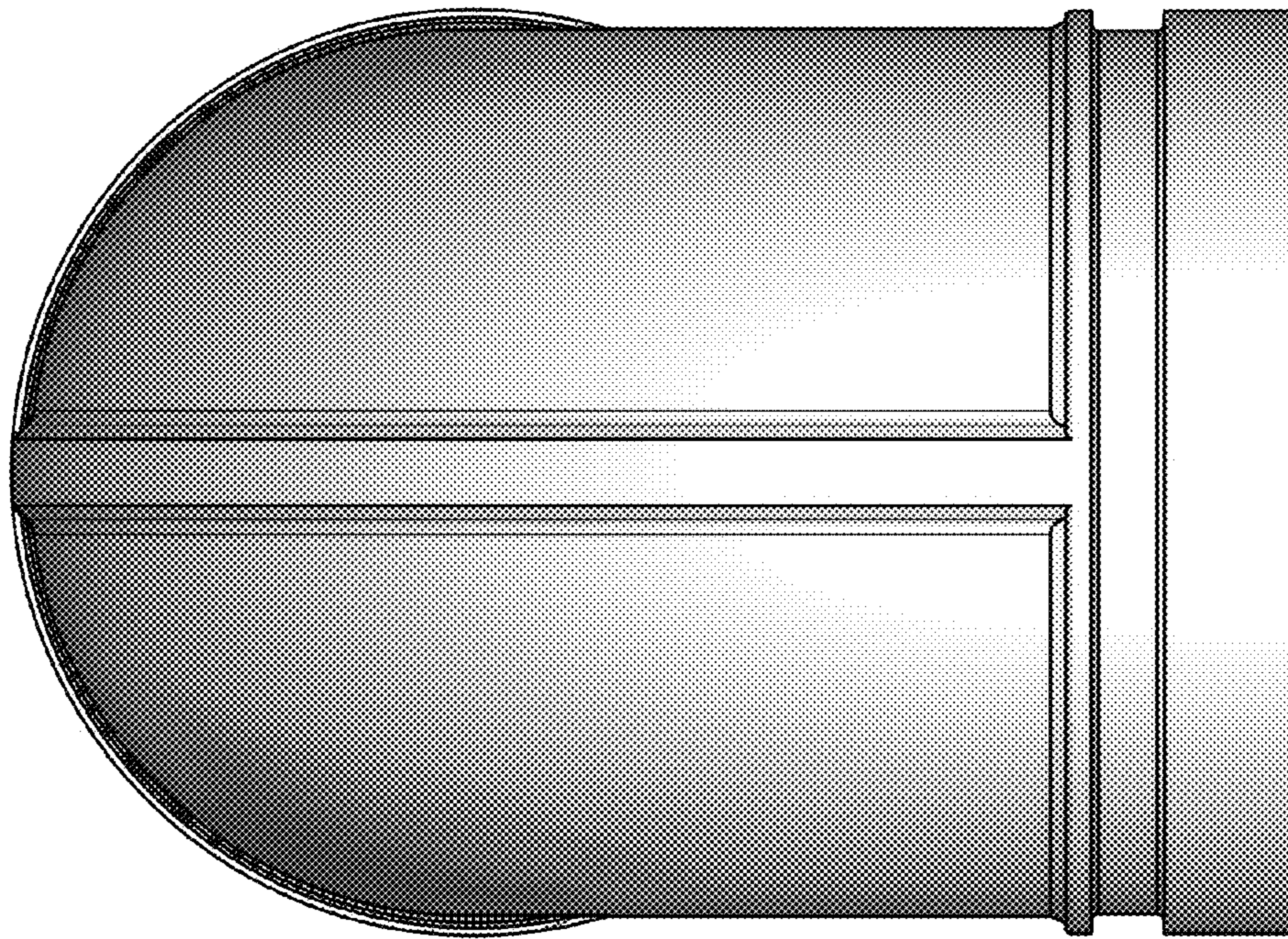


Fig. 13

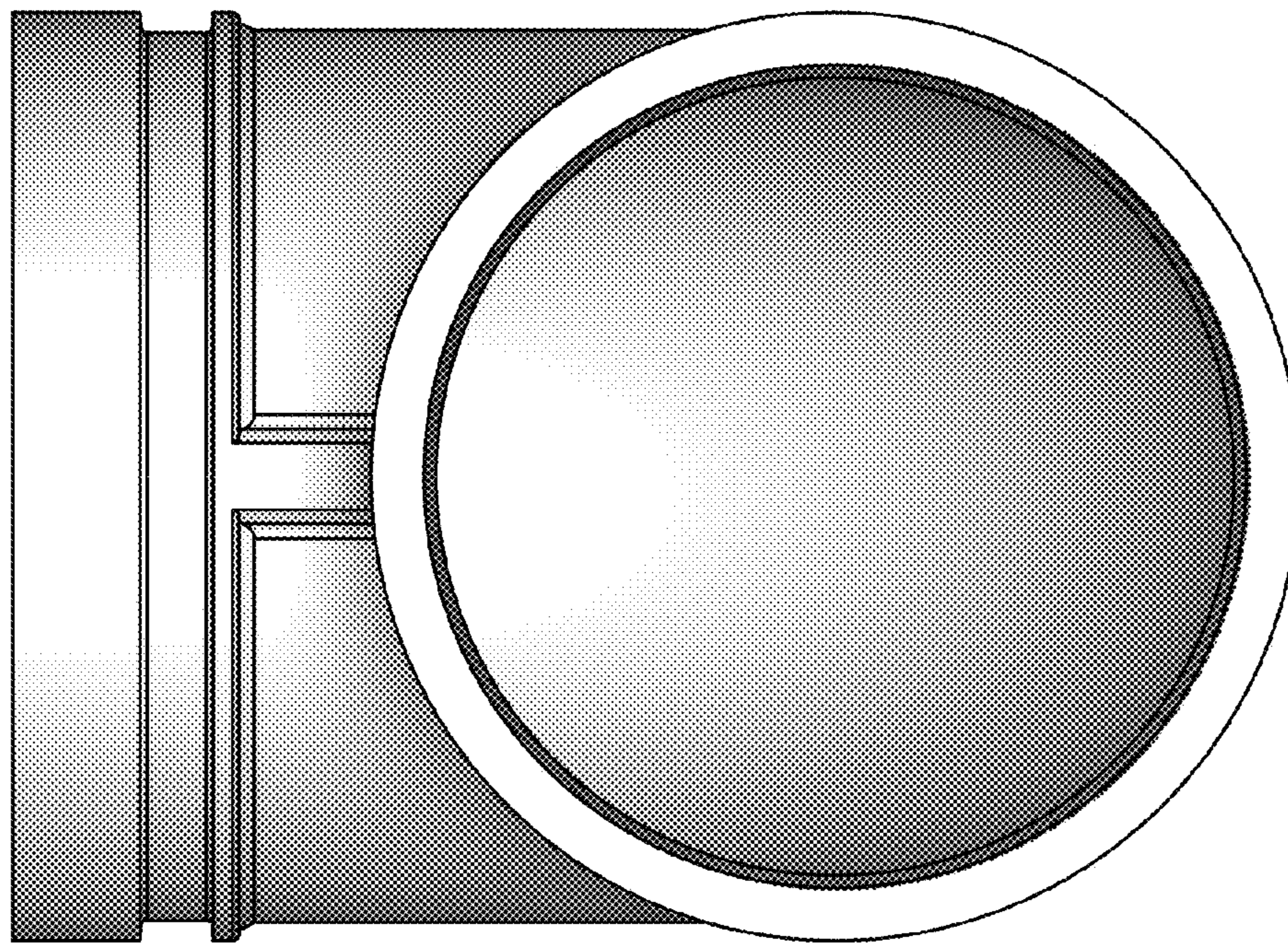


Fig. 14



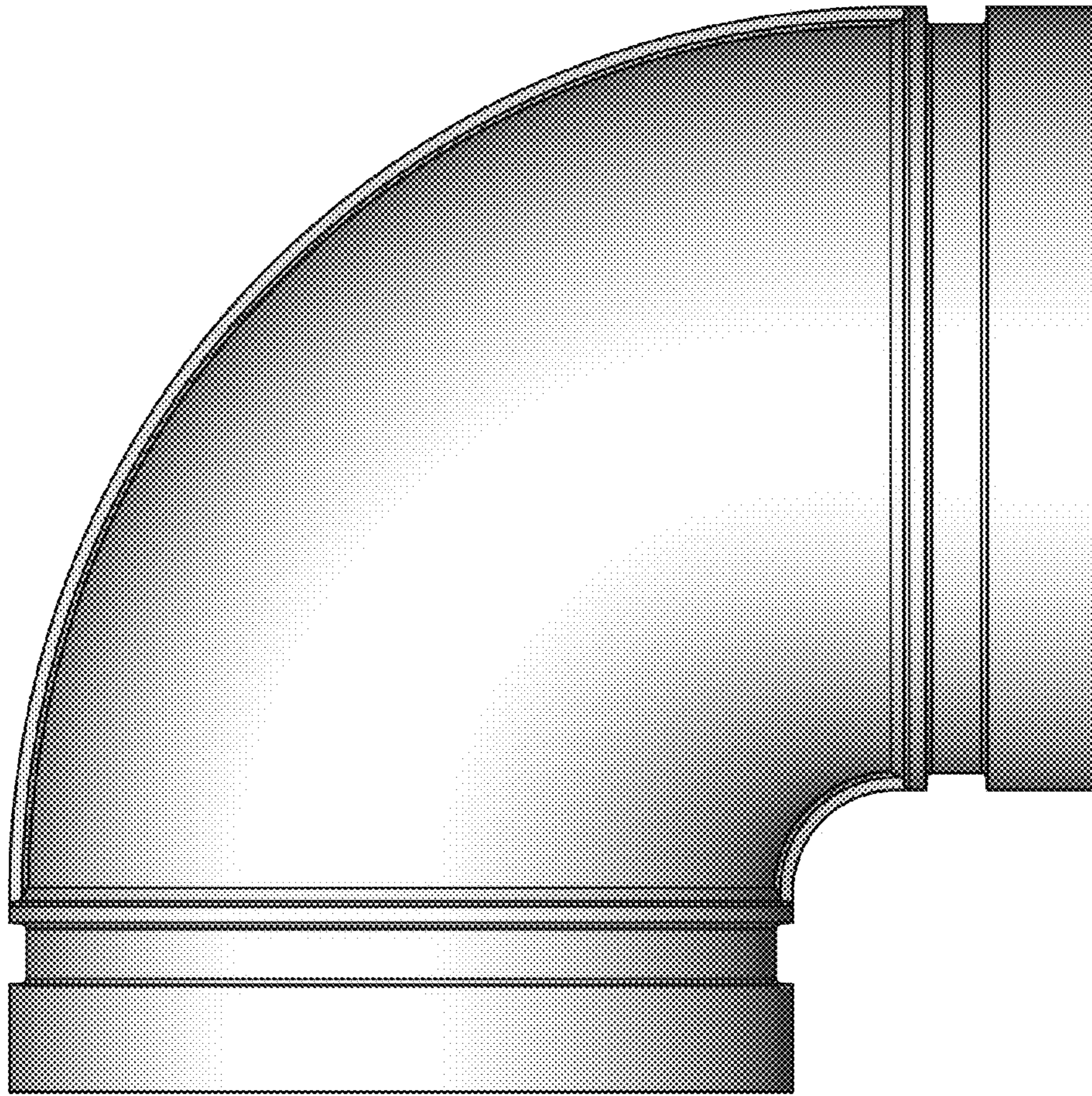


Fig. 15



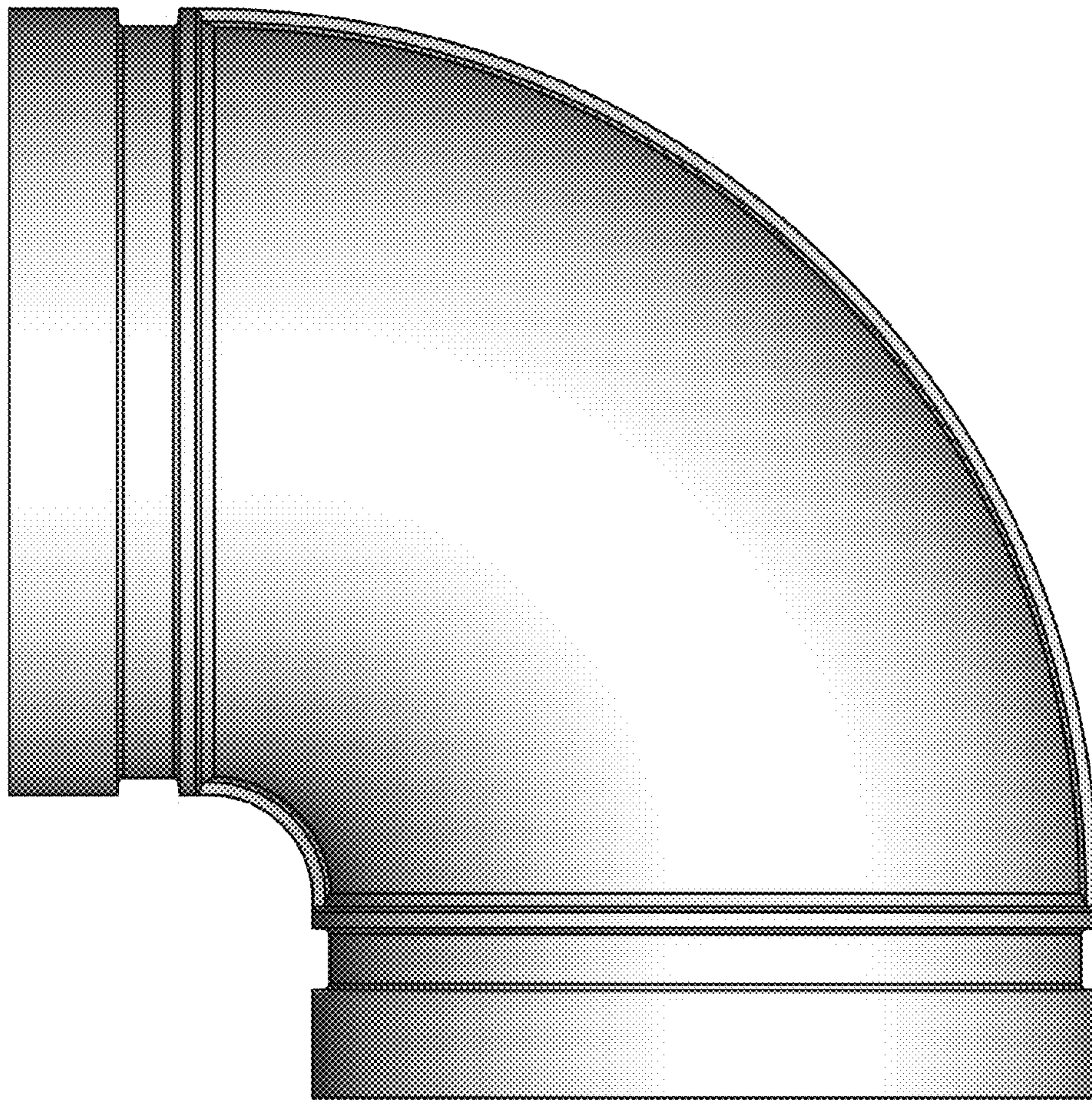


Fig. 16



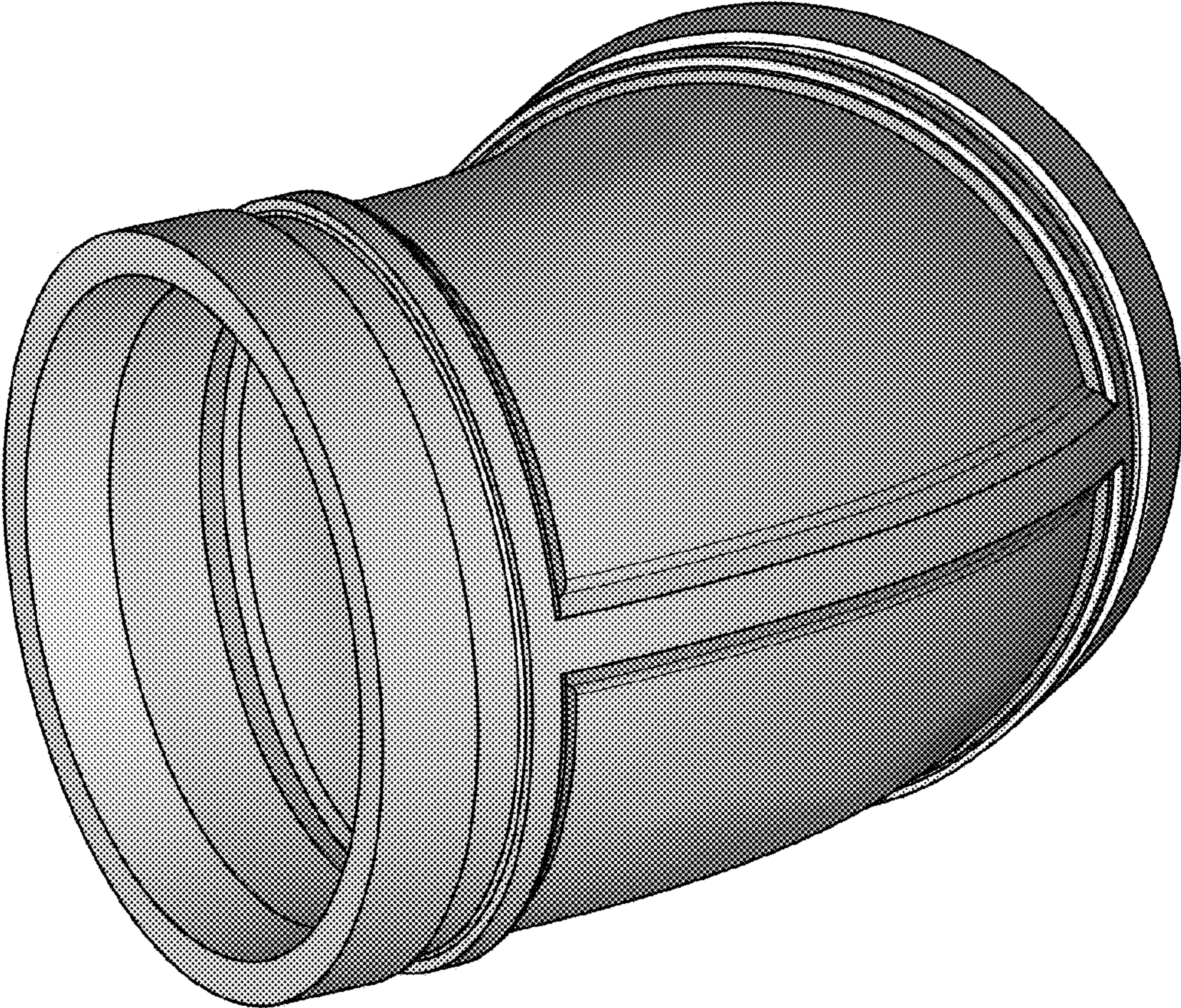


Fig. 17



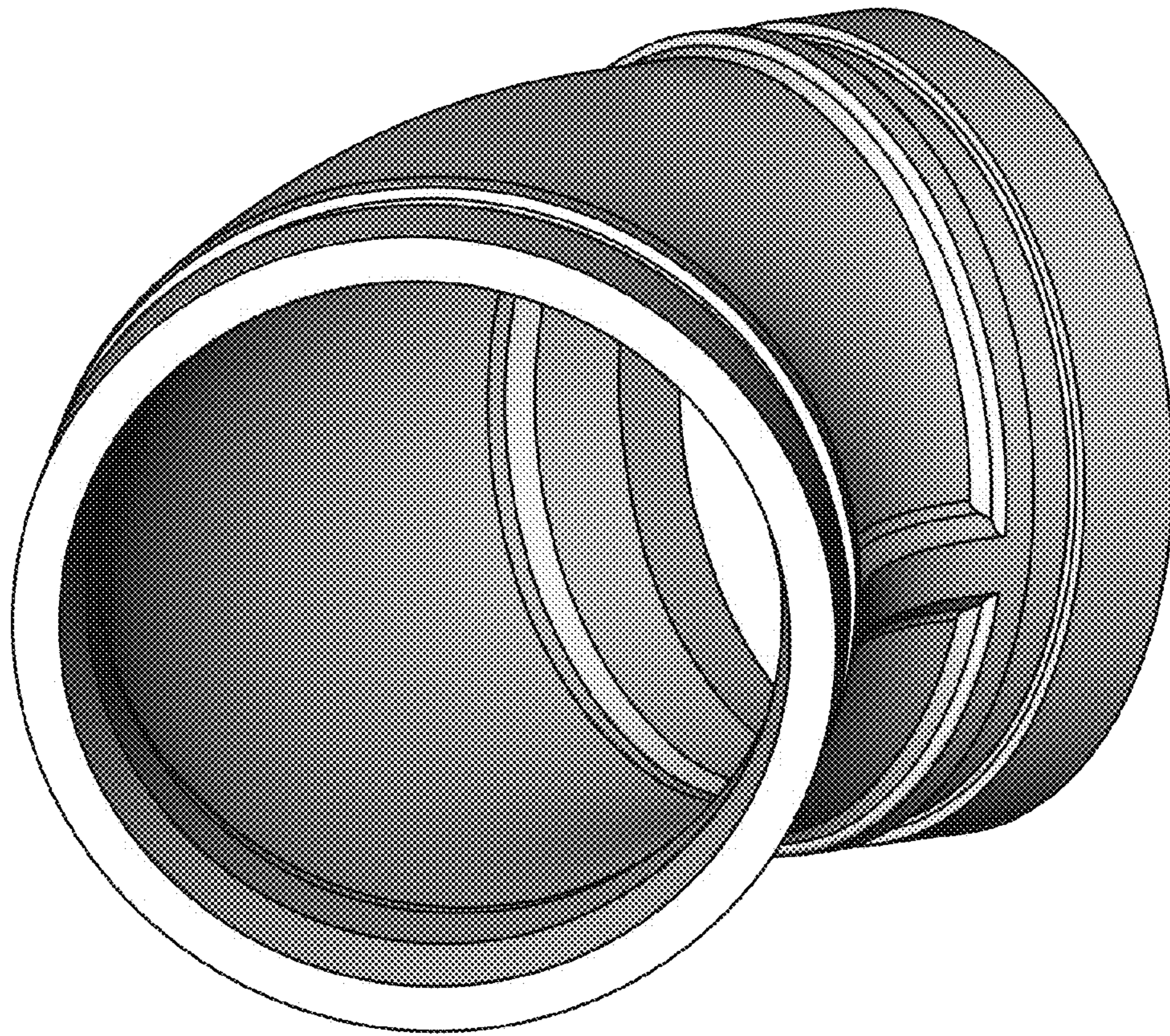


Fig. 18



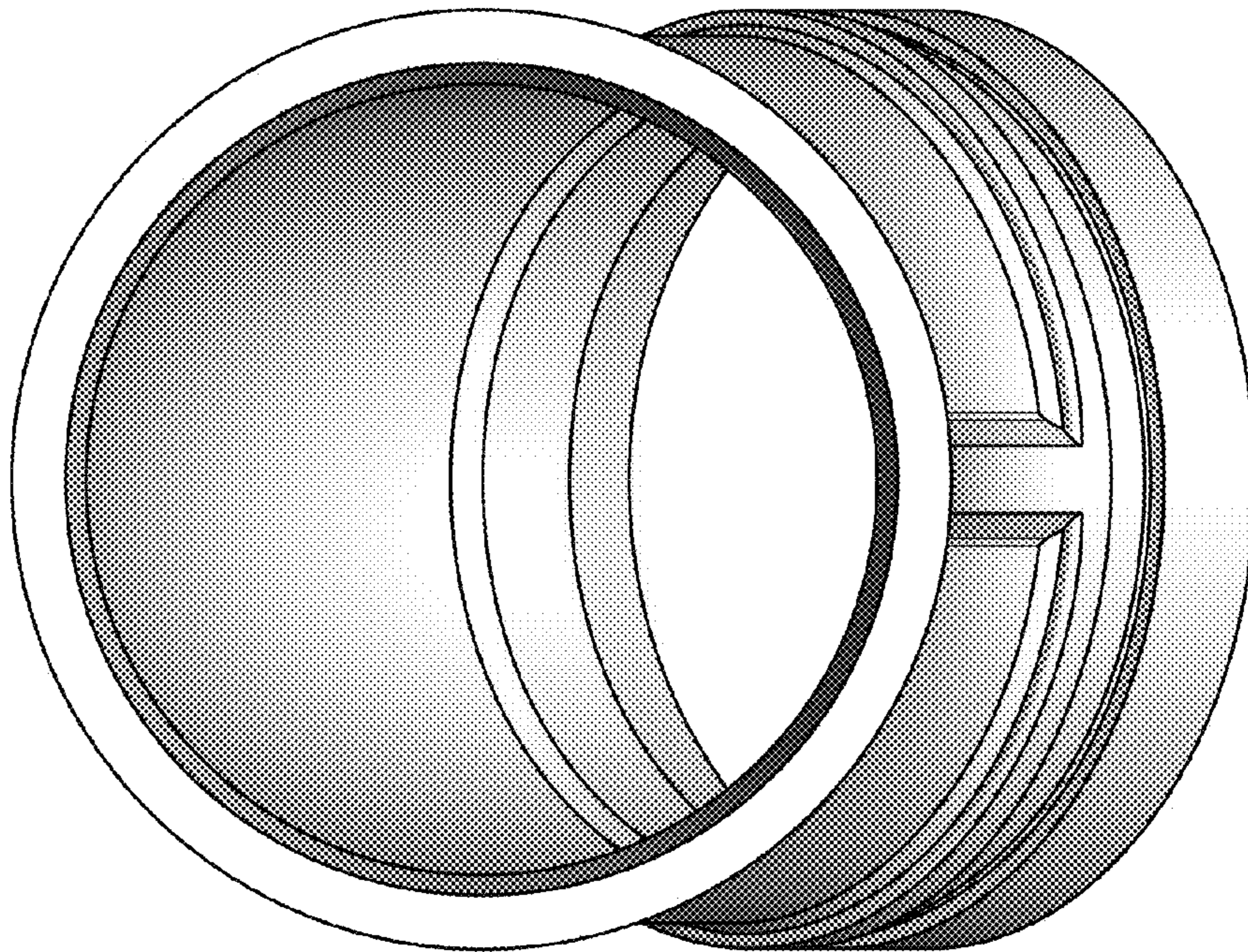


Fig. 19

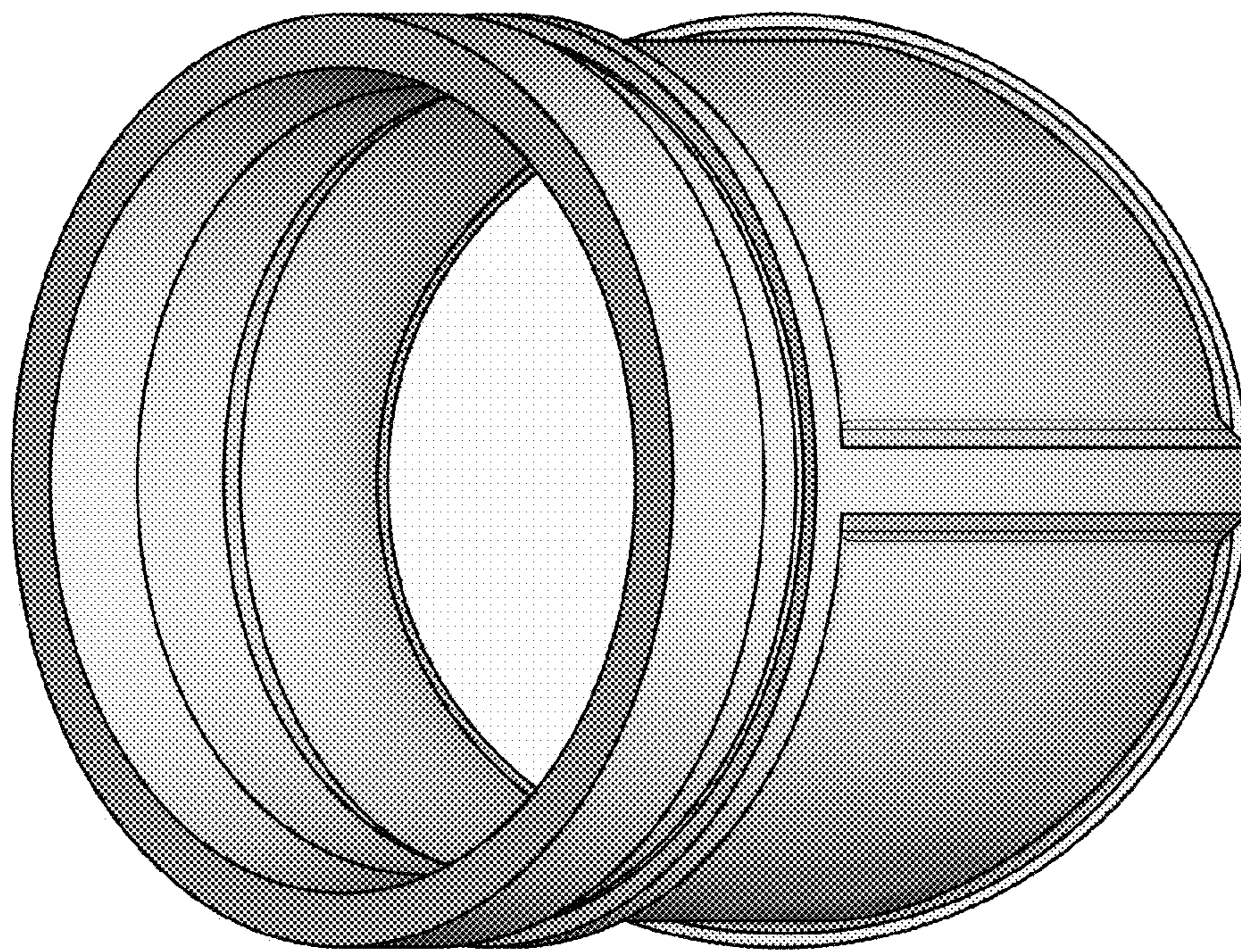


Fig. 20



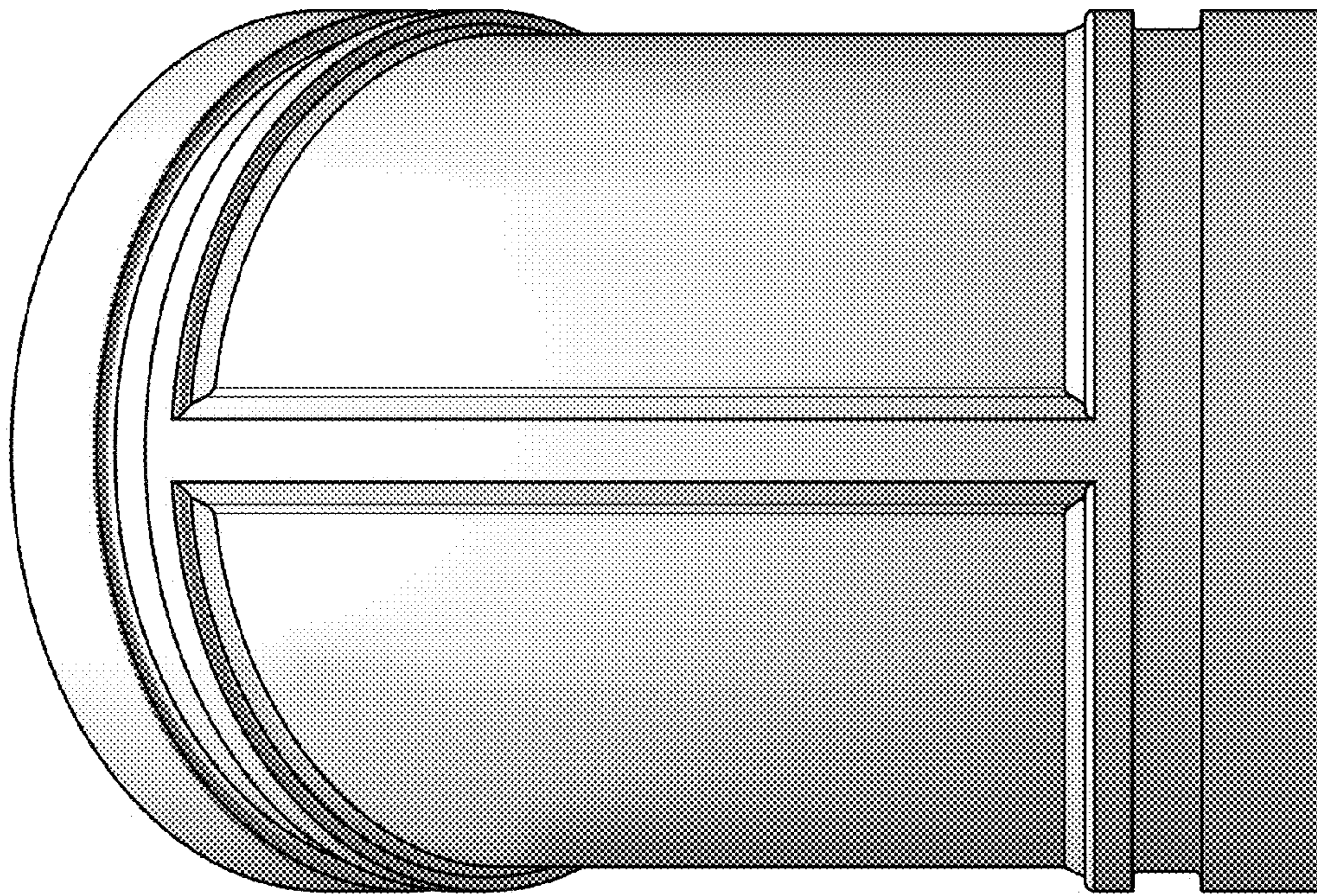


Fig. 21



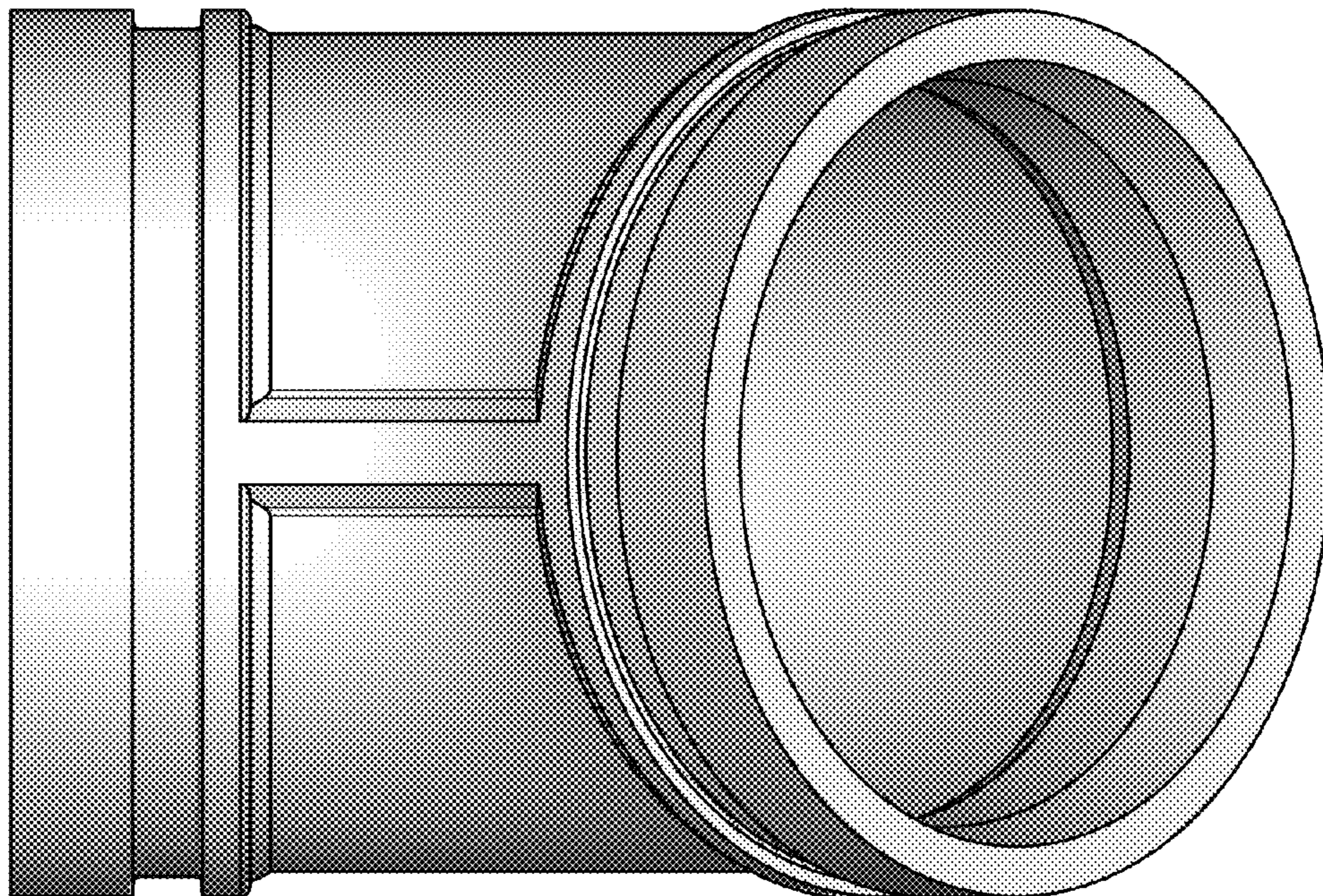


Fig. 22



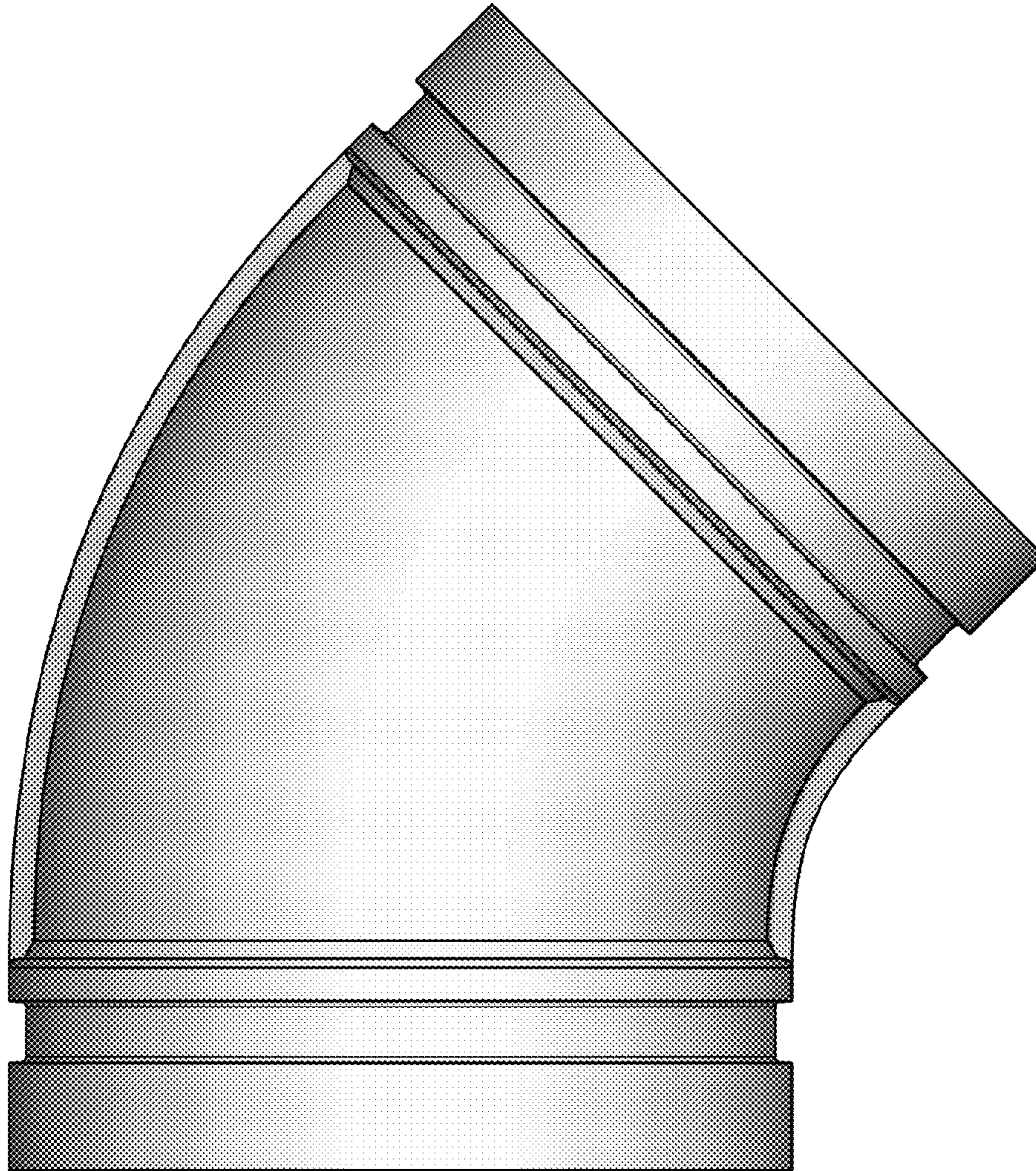


Fig. 23



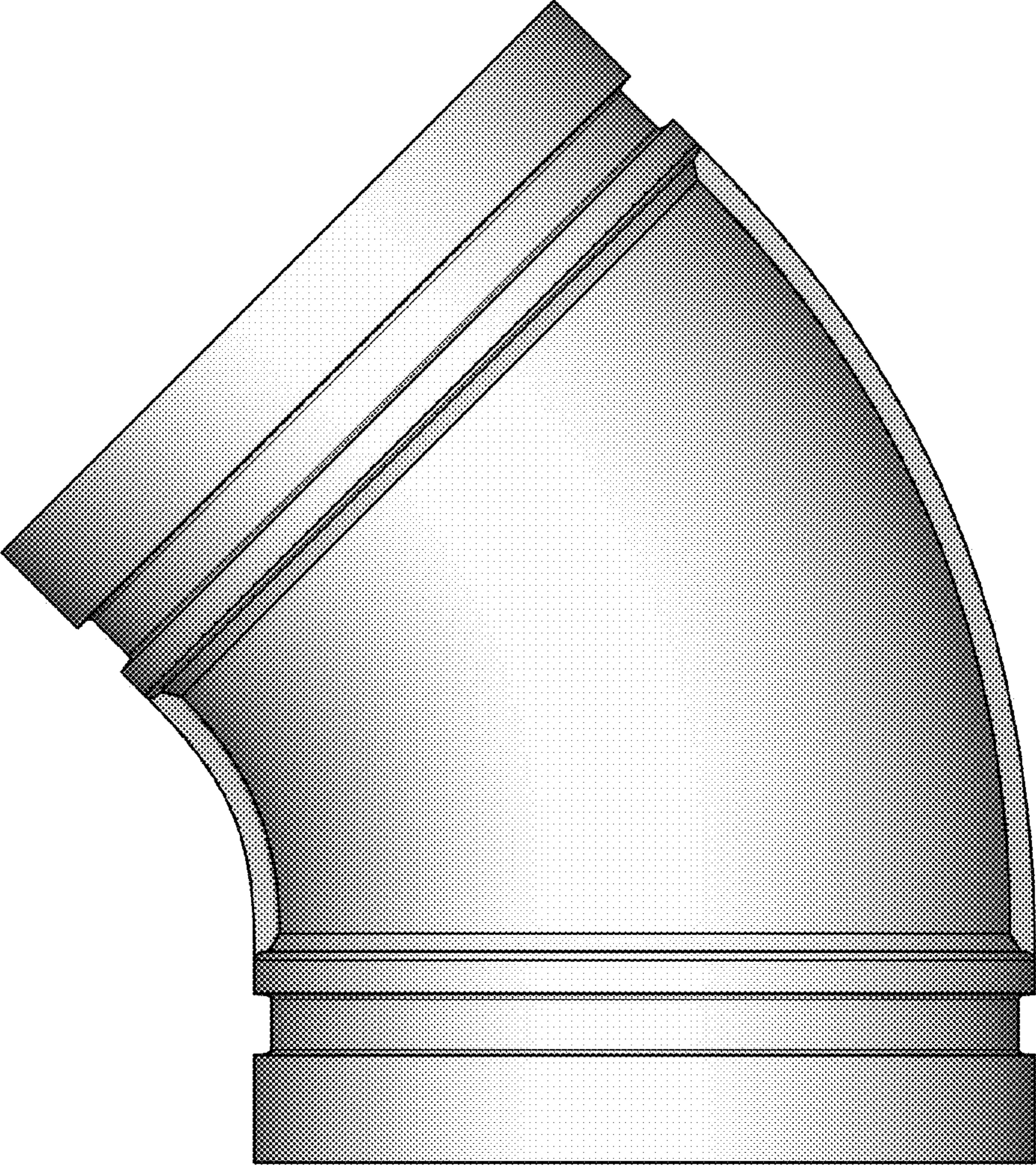


Fig. 24