



US00D733264S

(12) **United States Design Patent**
Fain

(10) **Patent No.:** **US D733,264 S**
(45) **Date of Patent:** **** Jun. 30, 2015**

- (54) **HOSE CONNECTOR**
- (71) Applicant: **Jonathan D. Fain**, Pawtucket, RI (US)
- (72) Inventor: **Jonathan D. Fain**, Pawtucket, RI (US)
- (73) Assignee: **Teknor Apex Company**, Pawtucket, RI (US)
- (**) Term: **14 Years**
- (21) Appl. No.: **29/459,545**
- (22) Filed: **Jul. 1, 2013**
- (51) **LOC (10) Cl.** **23-01**
- (52) **U.S. Cl.**
USPC **D23/262**
- (58) **Field of Classification Search**
USPC D23/233, 245, 259–269; 285/86–93
See application file for complete search history.

D514,669	S	*	2/2006	Copeland et al.	D23/262
7,484,420	B2	*	2/2009	Schuster et al.	73/761
D594,937	S	*	6/2009	Price et al.	D23/259
D596,272	S	*	7/2009	Price et al.	D23/259
D600,546	S	*	9/2009	Scilingo et al.	D8/397
D601,671	S	*	10/2009	Johnson	D23/262
D644,673	S	*	9/2011	Drenth et al.	D15/138
D669,558	S	*	10/2012	Collin et al.	D23/262
D681,462	S	*	5/2013	Taylor	D9/453
D702,903	S	*	4/2014	Nhem et al.	D32/31
D714,917	S	*	10/2014	Miller et al.	D23/269
D715,902	S	*	10/2014	Malaker et al.	D23/262

* cited by examiner

Primary Examiner — Karen E Kearney

Assistant Examiner — John Reickel

(74) *Attorney, Agent, or Firm* — Chace Ruttenberg & Fredman LLP

(57) **CLAIM**

The ornamental design for a hose connector, as shown and described.

(56) **References Cited**

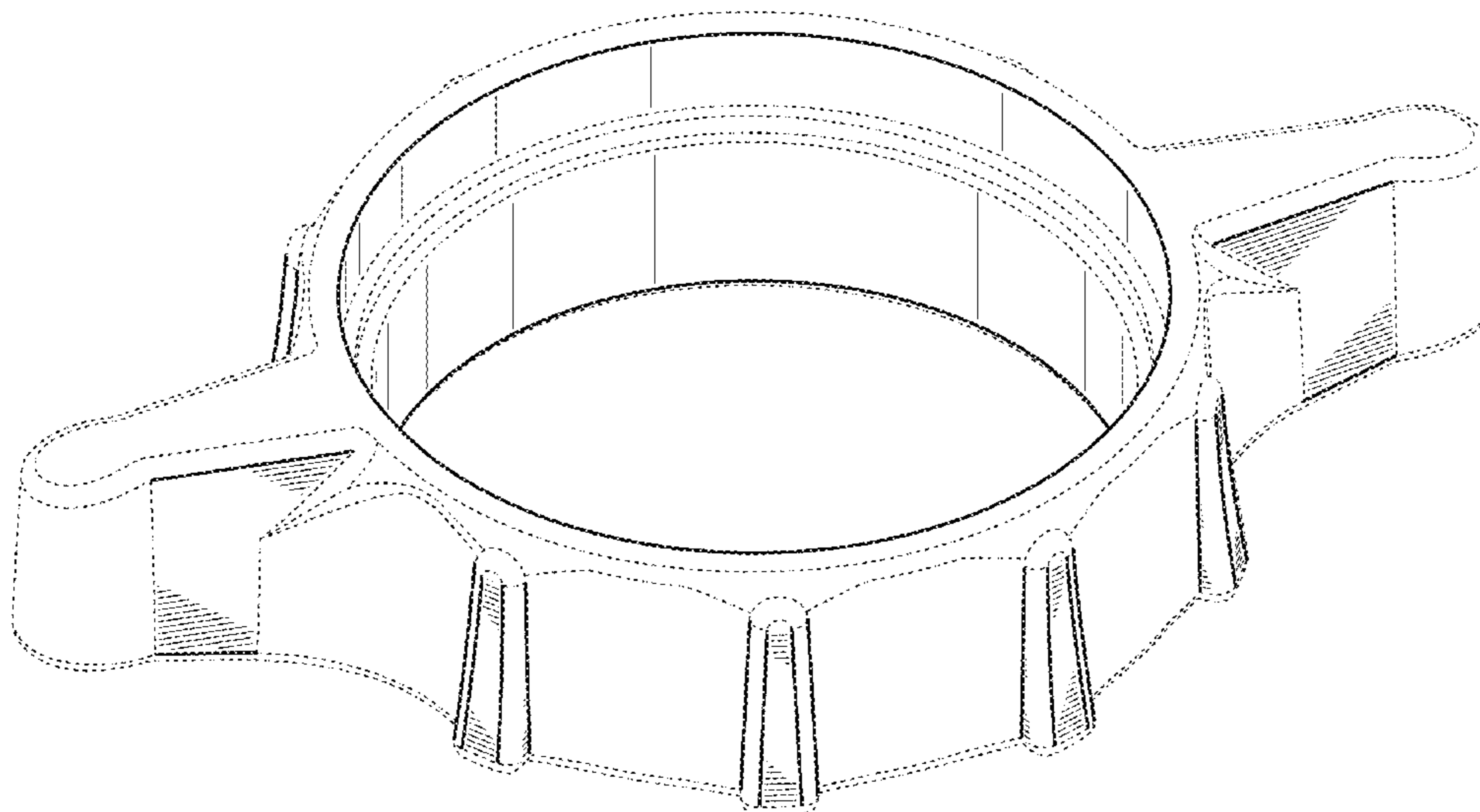
U.S. PATENT DOCUMENTS

D54,781	S	*	3/1920	Sheffner	D23/262
1,613,644	A	*	1/1927	Costello	285/38
1,770,570	A	*	7/1930	Costello	285/38
D209,378	S	*	11/1967	Pomroy	D23/260
D223,156	S	*	3/1972	Campbell	D23/260
D224,303	S	*	7/1972	Bergkvist	D23/262
D262,133	S	*	12/1981	Fain	D23/262
D277,454	S	*	2/1985	Meinhardt	D8/397
D302,243	S	*	7/1989	Gonzalez	D8/398
D330,073	S	*	10/1992	Valls	D23/269
D479,585	S	*	9/2003	Mulligan et al.	D23/262
D494,056	S	*	8/2004	Clendenning	D8/399
D511,203	S	*	11/2005	Bressler et al.	D23/262
D513,793	S	*	1/2006	Copeland et al.	D23/262

DESCRIPTION

FIG. 1 is a top left front perspective of a hose connector;
 FIG. 2 is a bottom right rear perspective of a hose connector;
 FIG. 3 is a top plan view of a hose connector;
 FIG. 4 is a bottom plan view of a hose connector;
 FIG. 5 is a front elevational view of a hose connector, the rear elevational view is identical thereto; and,
 FIG. 6 is a right side elevational view of a hose connector, the left side elevational view is identical thereto.
 The broken line showing of portions of the hose connector is included for the purpose of illustrating portions of the article and forms no part of the claimed design.

1 Claim, 5 Drawing Sheets



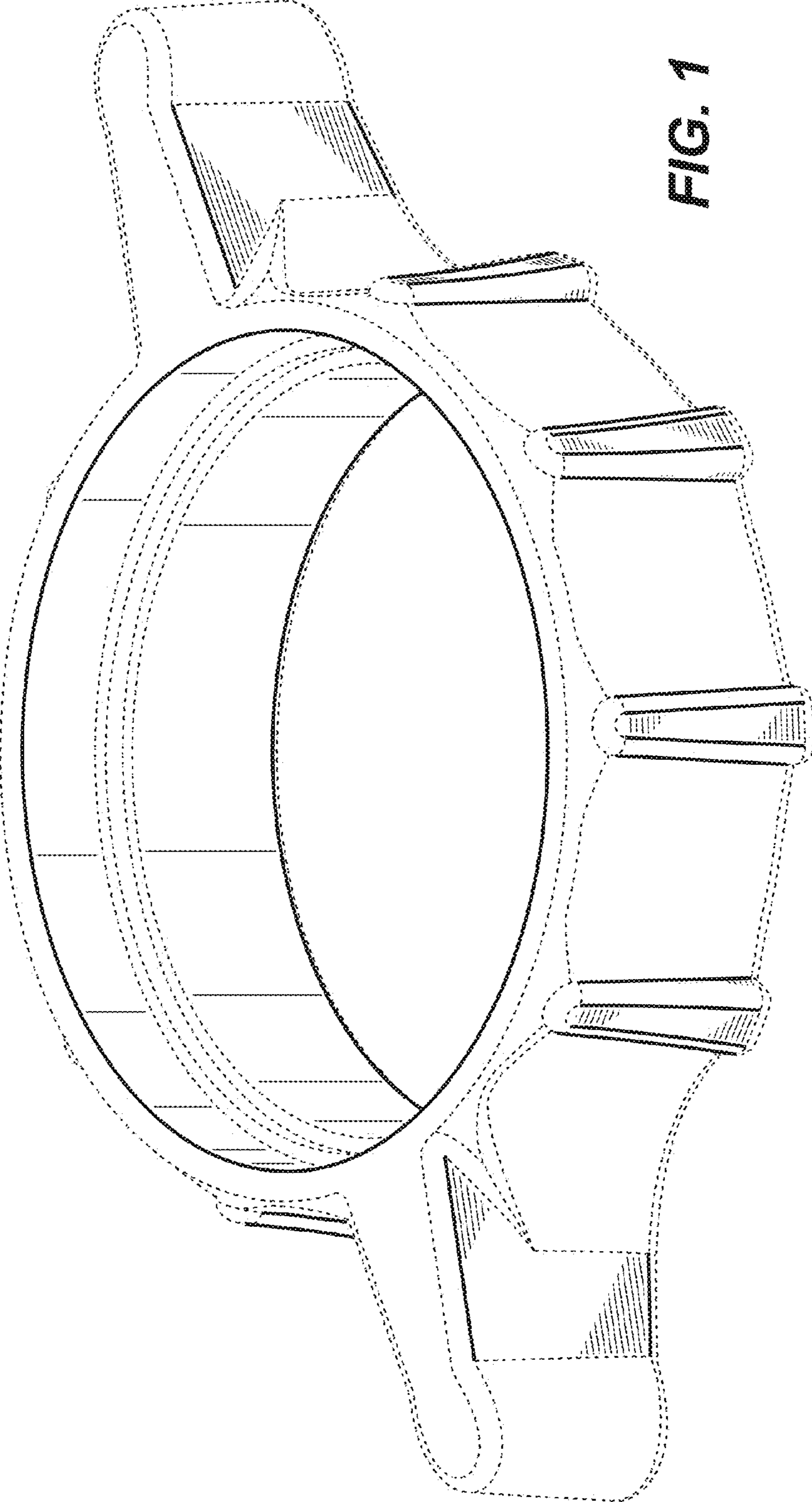


FIG. 1

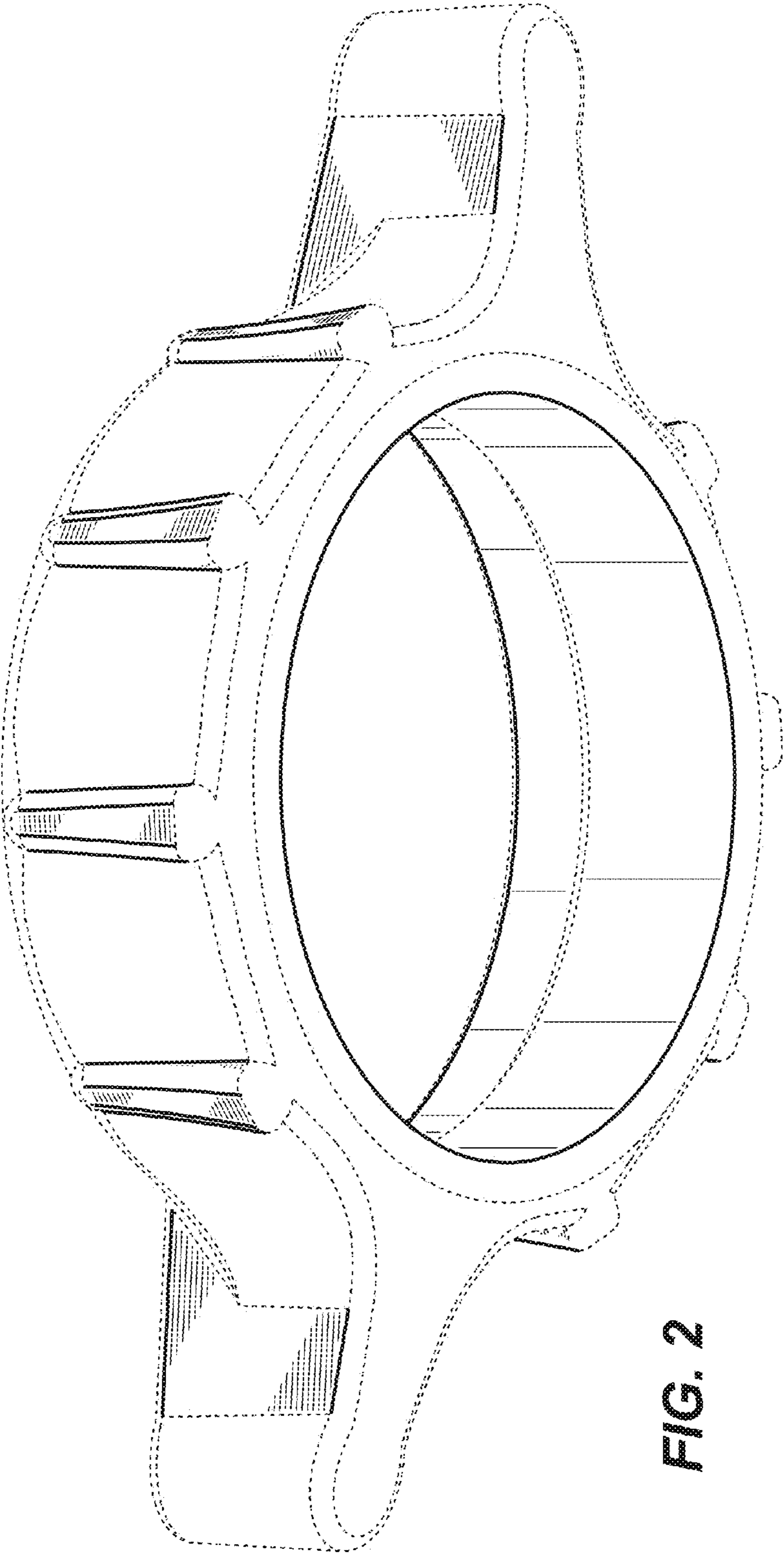


FIG. 2

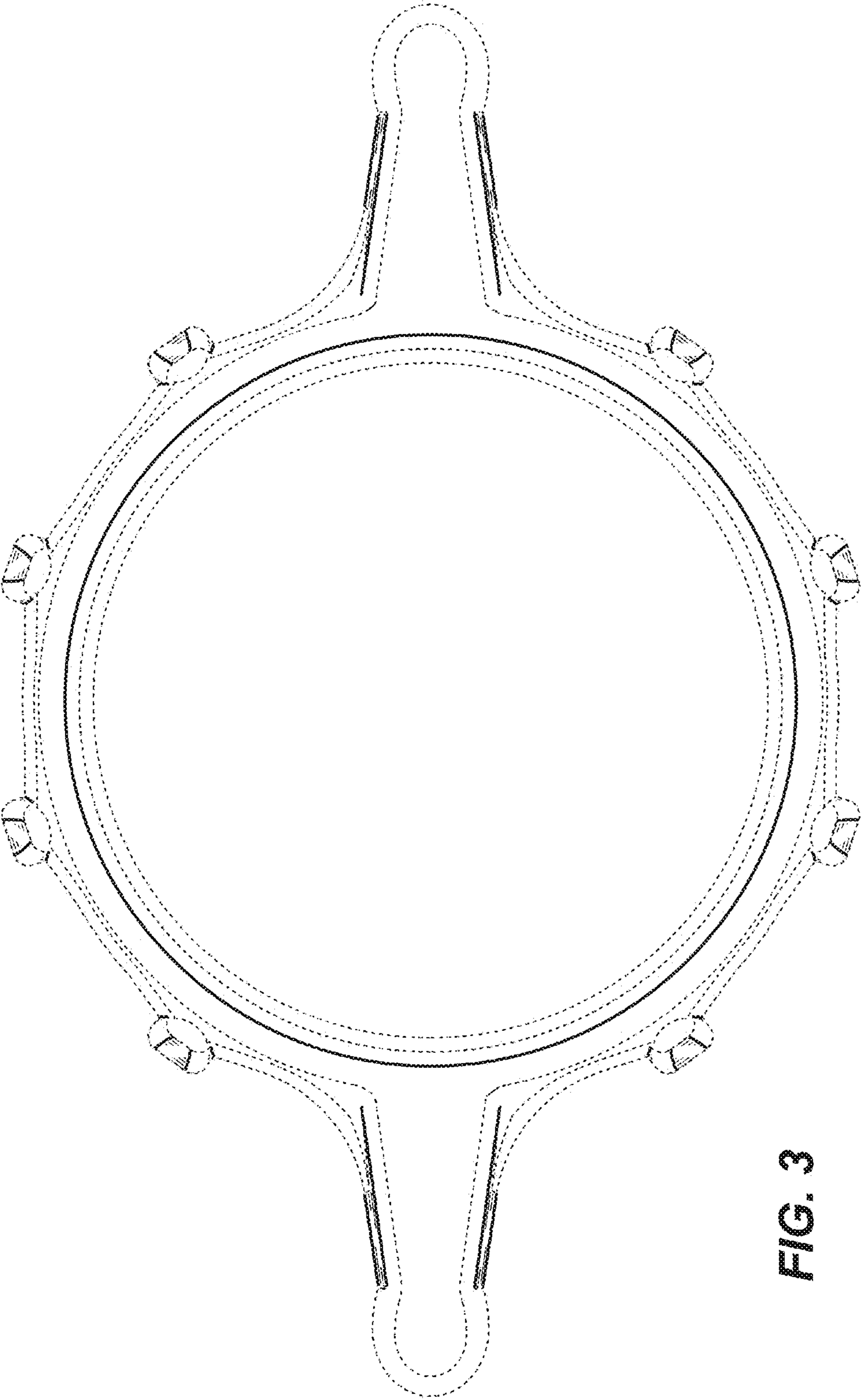


FIG. 3

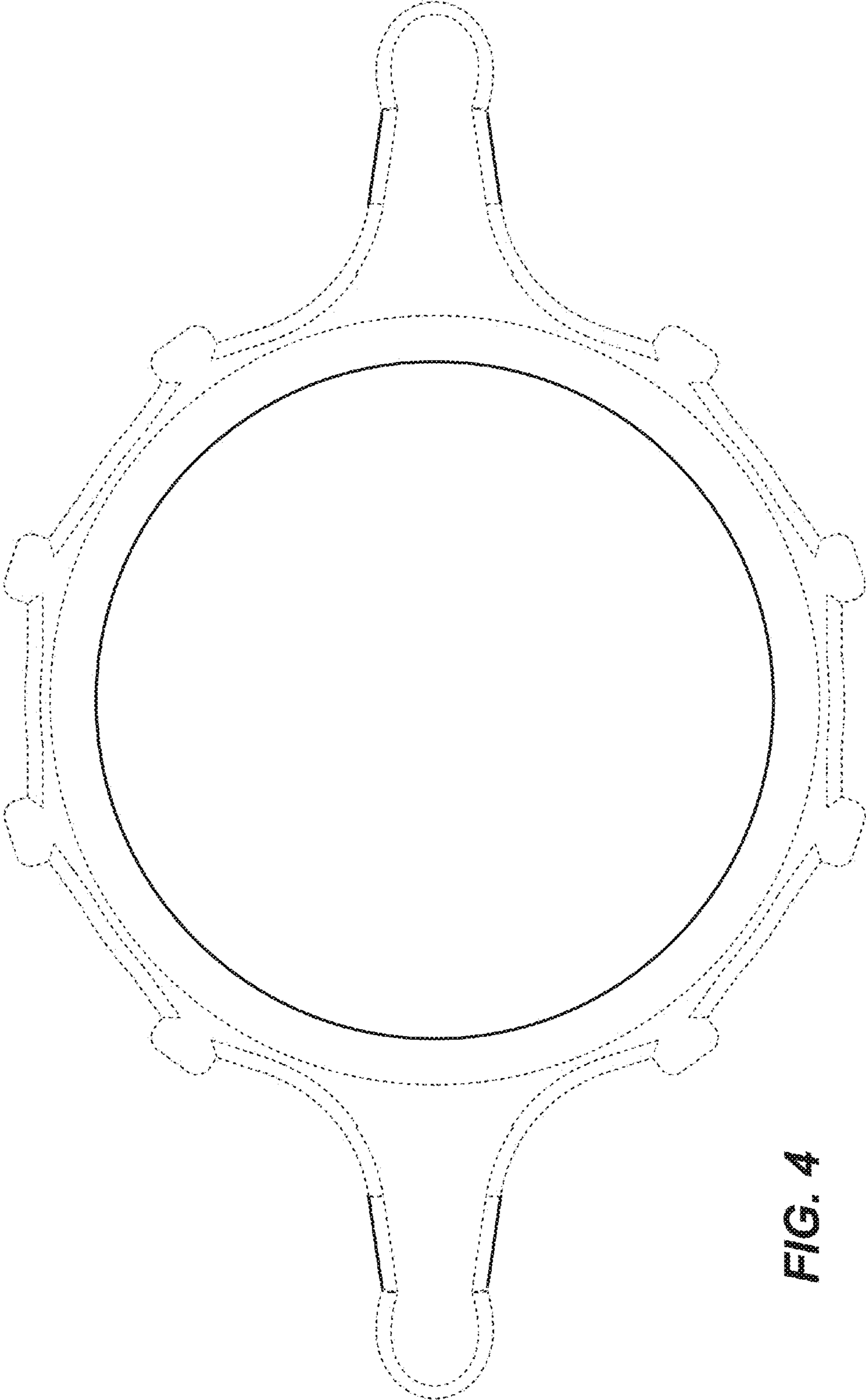


FIG. 4

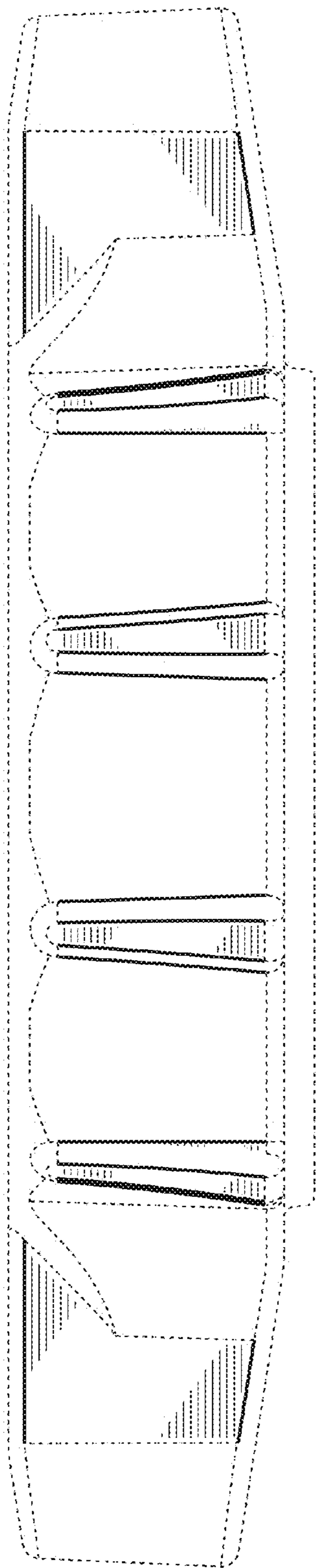


FIG. 5

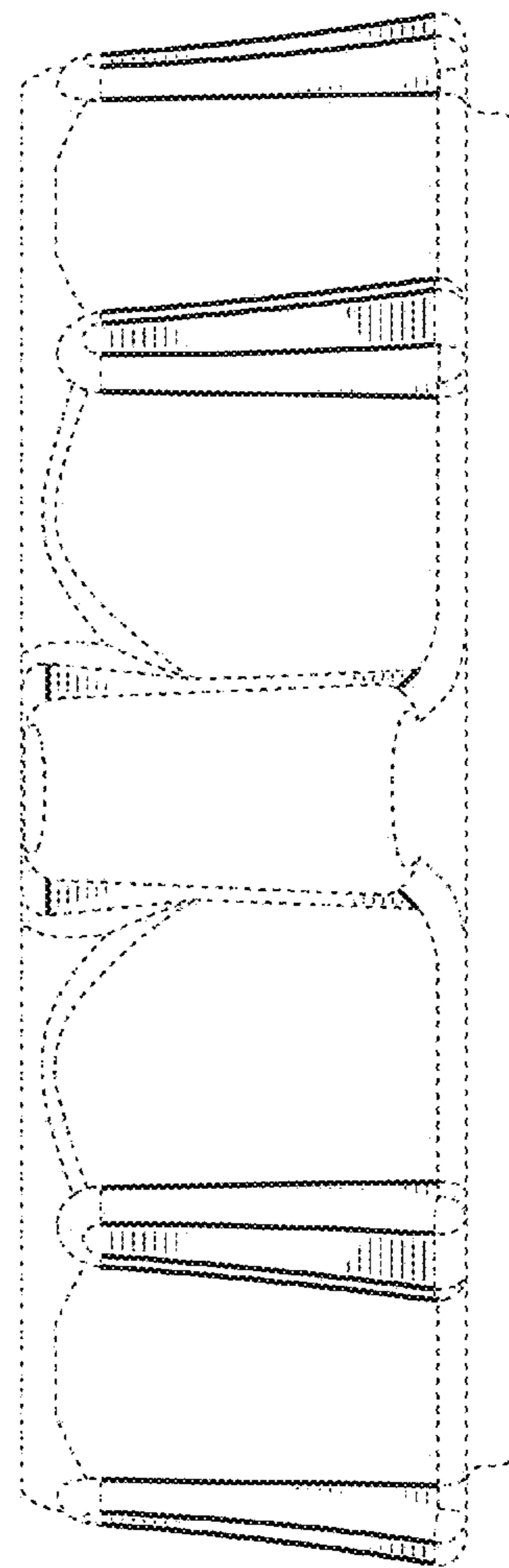


FIG. 6