



US00D733262S

(12) **United States Design Patent**
Kang

(10) **Patent No.:** **US D733,262 S**
(45) **Date of Patent:** **** Jun. 30, 2015**

(54) **DISPOSER OF CONNECTION MEMBER FOR KITCHEN SINK BOWL**

(71) Applicant: **Young Boung Kang**, Gimhae-si (KR)

(72) Inventor: **Young Boung Kang**, Gimhae-si (KR)

(**) Term: **14 Years**

(21) Appl. No.: **29/491,601**

(22) Filed: **May 22, 2014**

(51) **LOC (10) Cl.** **23-01**

(52) **U.S. Cl.**
USPC **D23/261**

(58) **Field of Classification Search**
USPC D23/259–267; 4/286–295;
210/162–166; 285/58, 83; 404/4, 5
See application file for complete search history.

(56) **References Cited**

U.S. PATENT DOCUMENTS

2,169,896	A *	8/1939	Gazey	29/890.132
3,383,715	A *	5/1968	De Young	4/288
D227,763	S *	7/1973	Hand et al.	D23/262
D234,847	S *	4/1975	Hoffman	D23/262
3,881,201	A *	5/1975	Richards	4/286
5,662,138	A *	9/1997	Wang	137/433
6,735,791	B1 *	5/2004	Lordahl et al.	4/292
D655,399	S *	3/2012	Rodriguez	D23/261
8,424,123	B2 *	4/2013	Svensson	4/286

D682,994	S *	5/2013	Schulz	D23/259
D699,822	S *	2/2014	Beaudoin	D23/267
D710,977	S *	8/2014	Chen	D23/259
2010/0051562	A1 *	3/2010	Coleman	210/767

* cited by examiner

Primary Examiner — Eric Goodman

Assistant Examiner — Steven Czyz

(74) *Attorney, Agent, or Firm* — Daniel A. Thomson;
Emerson Thomson Bennett, LLC

(57) **CLAIM**

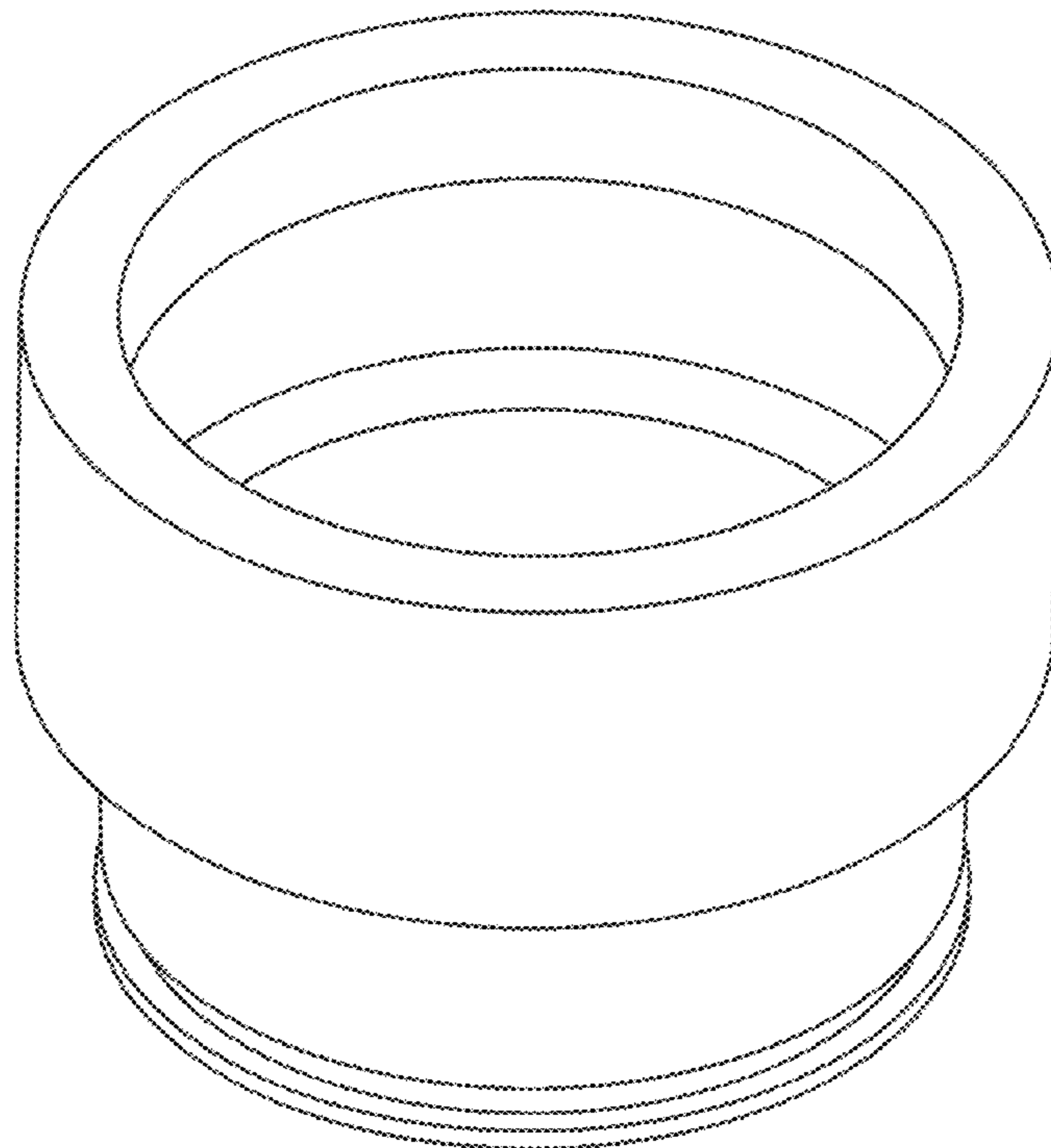
The ornamental design for the disposer of connection member for a kitchen sink bowl, as shown and described.

DESCRIPTION

FIG. 1 is a perspective view of the disposer;
FIG. 2 is a front view of the disposer of FIG. 1;
FIG. 3 is a top view of the disposer of FIG. 1;
FIG. 4 is a bottom view of the disposer of FIG. 1;
FIG. 5 is a cross-sectional view of the disposer taken along line 1-1 as shown in FIG. 3;
FIG. 6 is a cross-sectional view of the disposer taken along line 6-6 as shown in FIG. 4; and,
FIG. 7 is an enlarged cross-sectional view of section 7 as illustrated in FIG. 6.

The broken line showing is included for the purpose of illustrating portions of the article and environment, and forms no part of the claimed design.

1 Claim, 7 Drawing Sheets



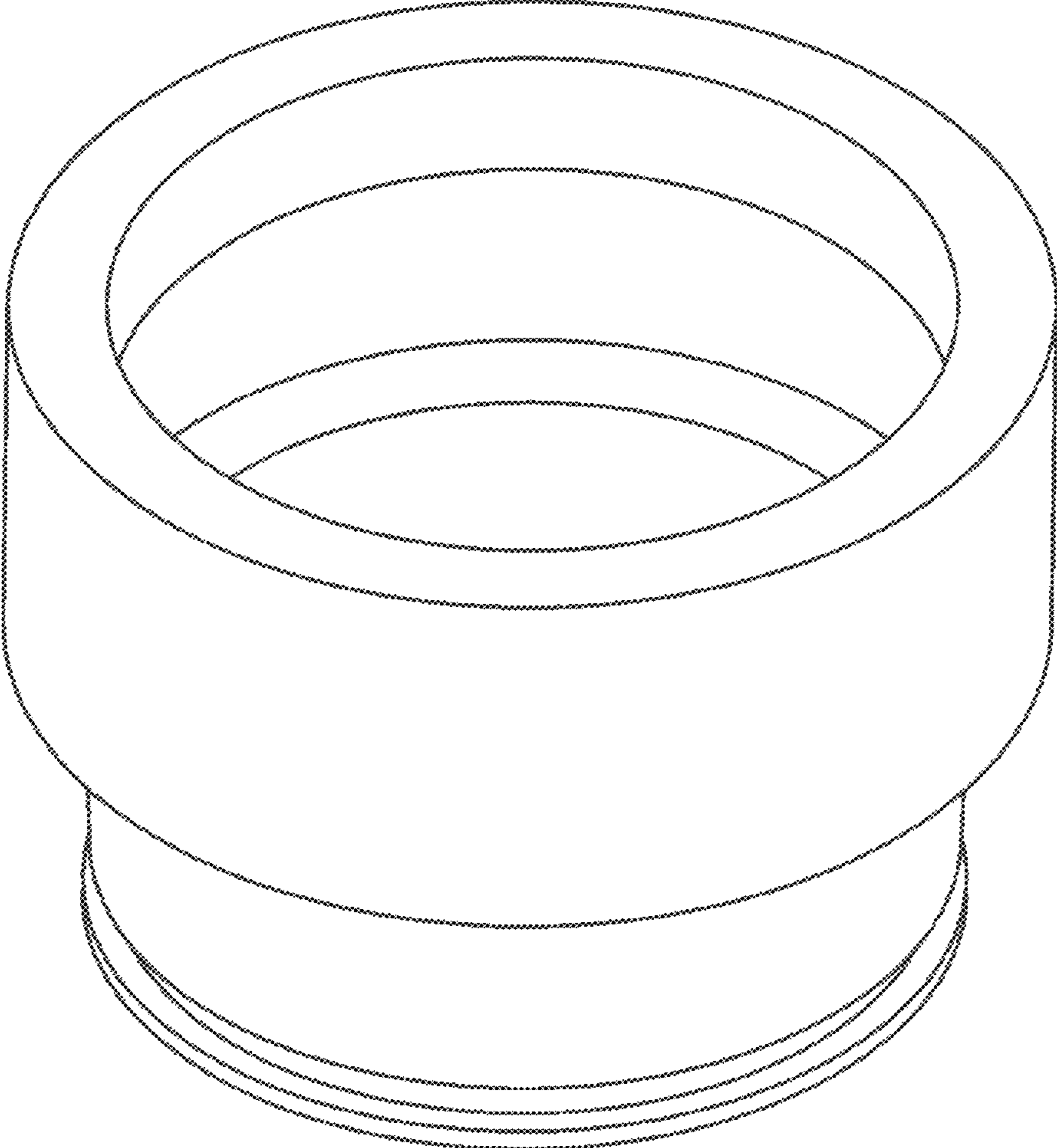


FIGURE 1

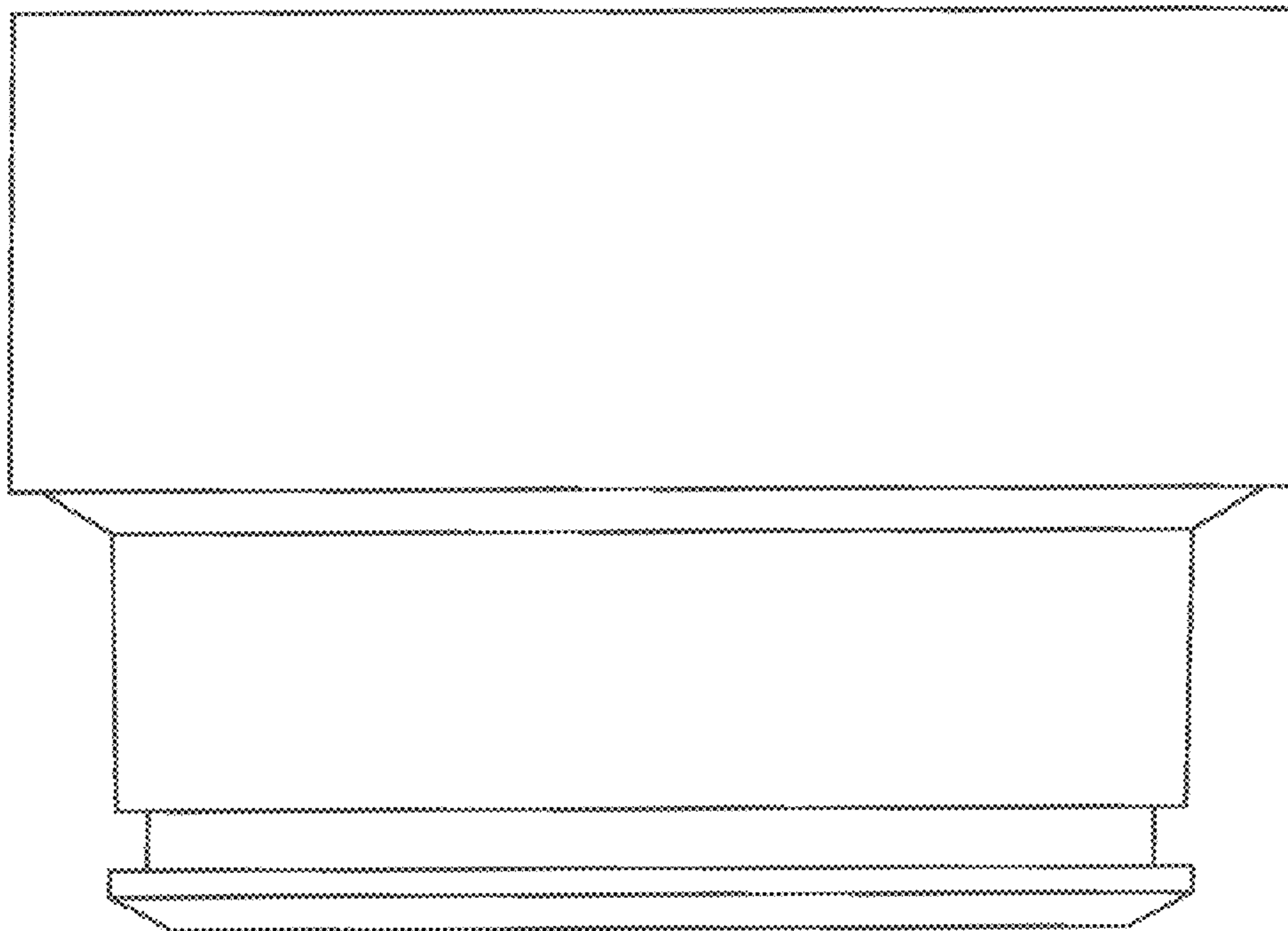


FIGURE 2

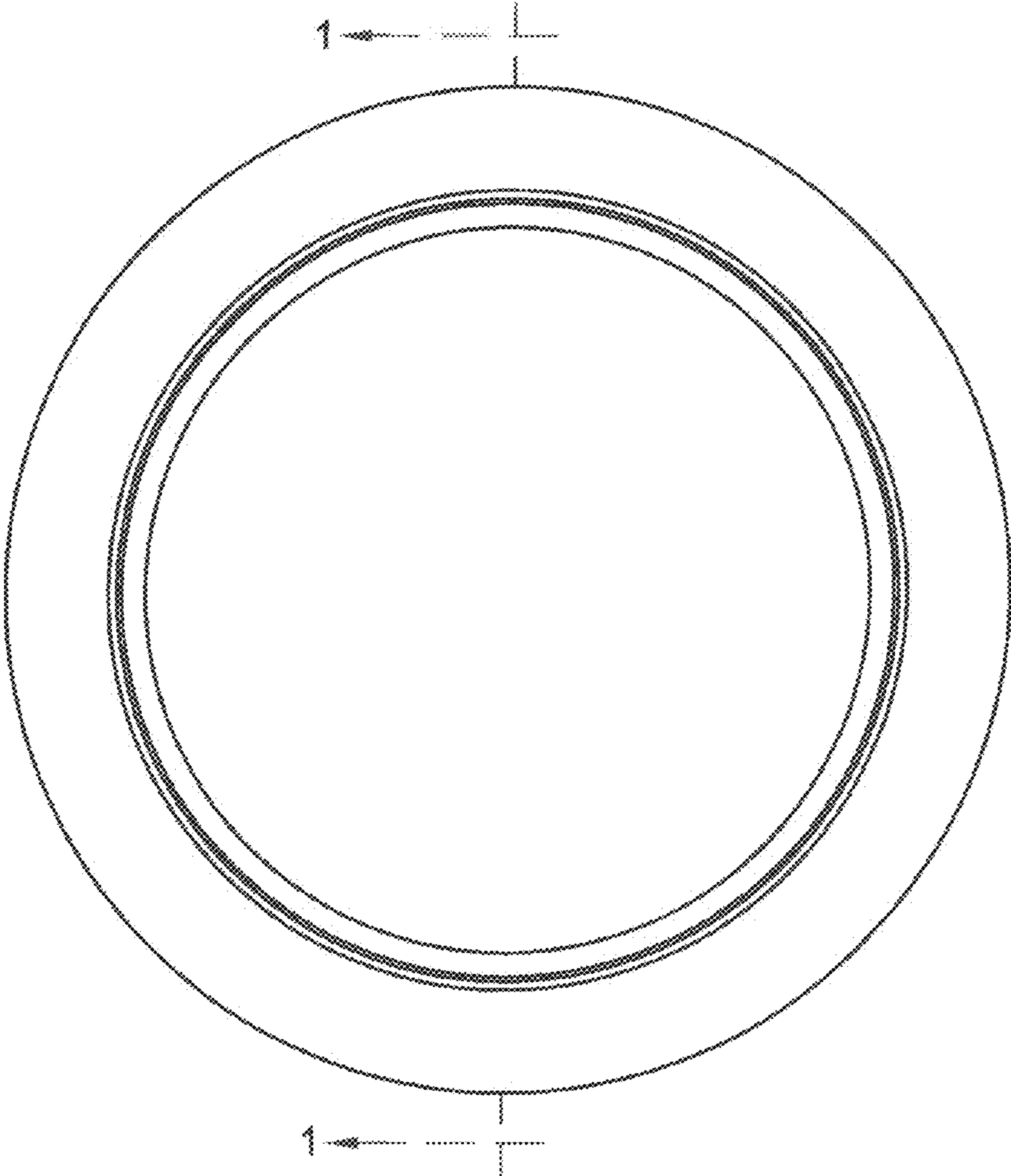


FIGURE 3

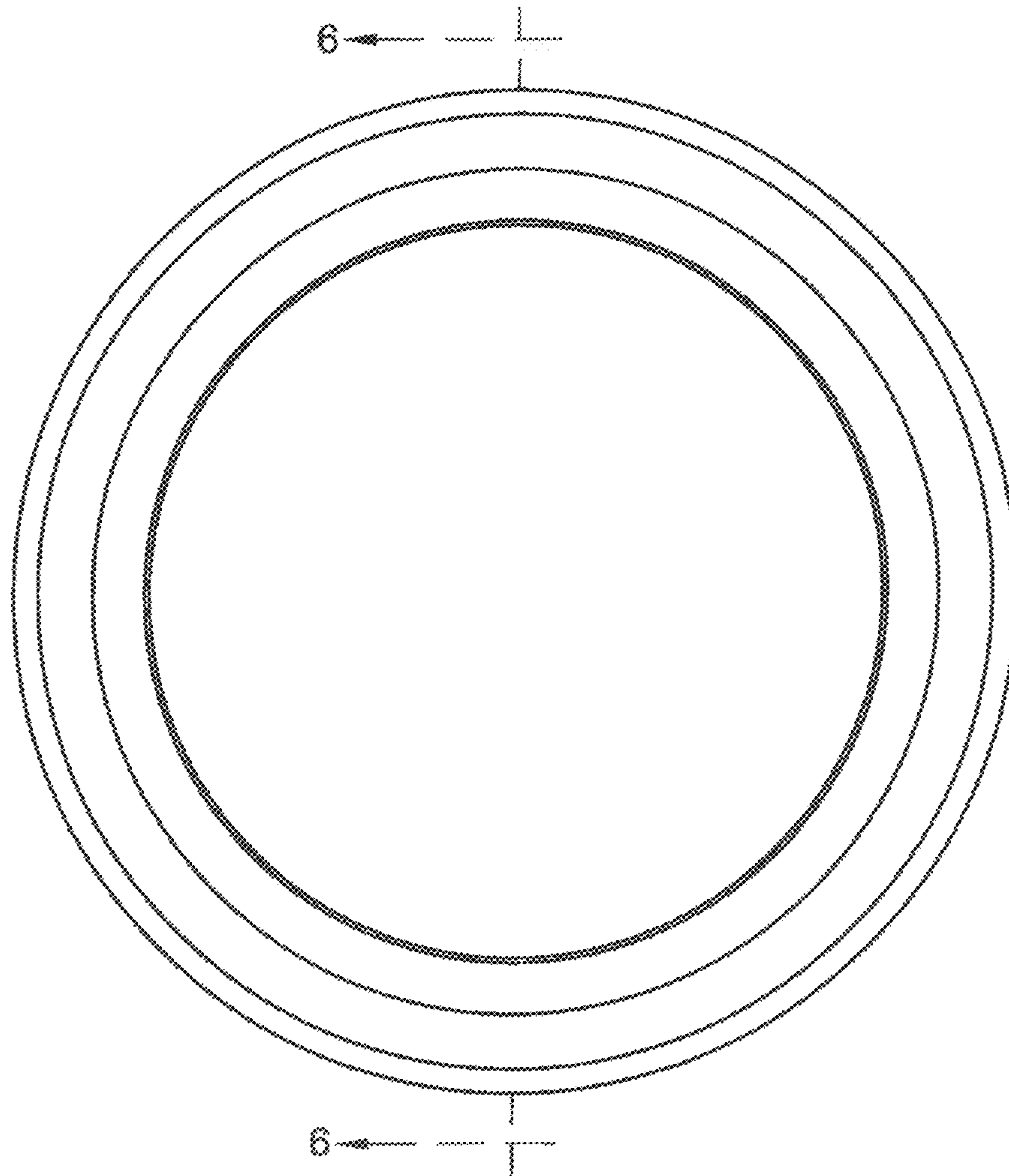


FIGURE 4

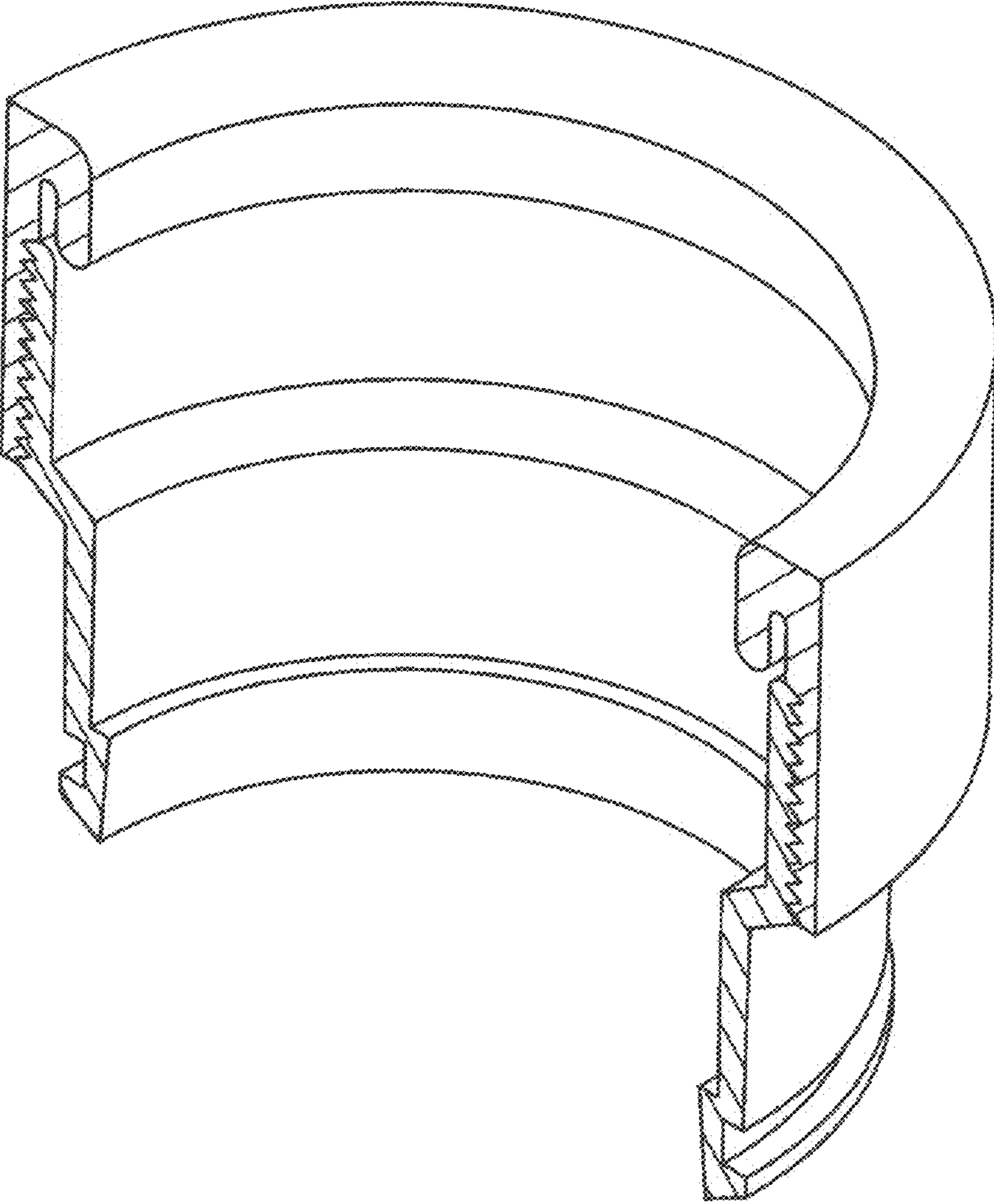


FIGURE 5

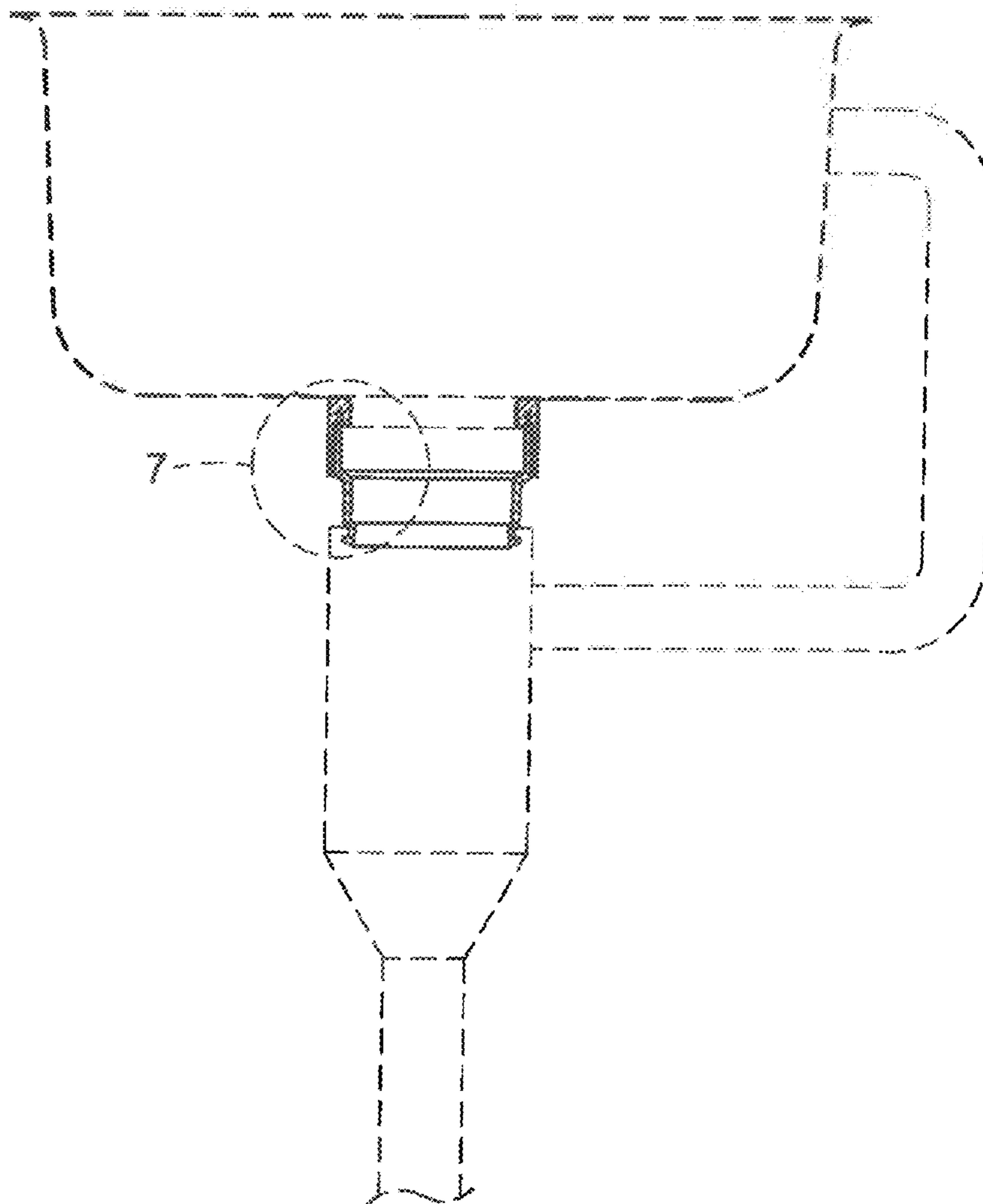


FIGURE 6

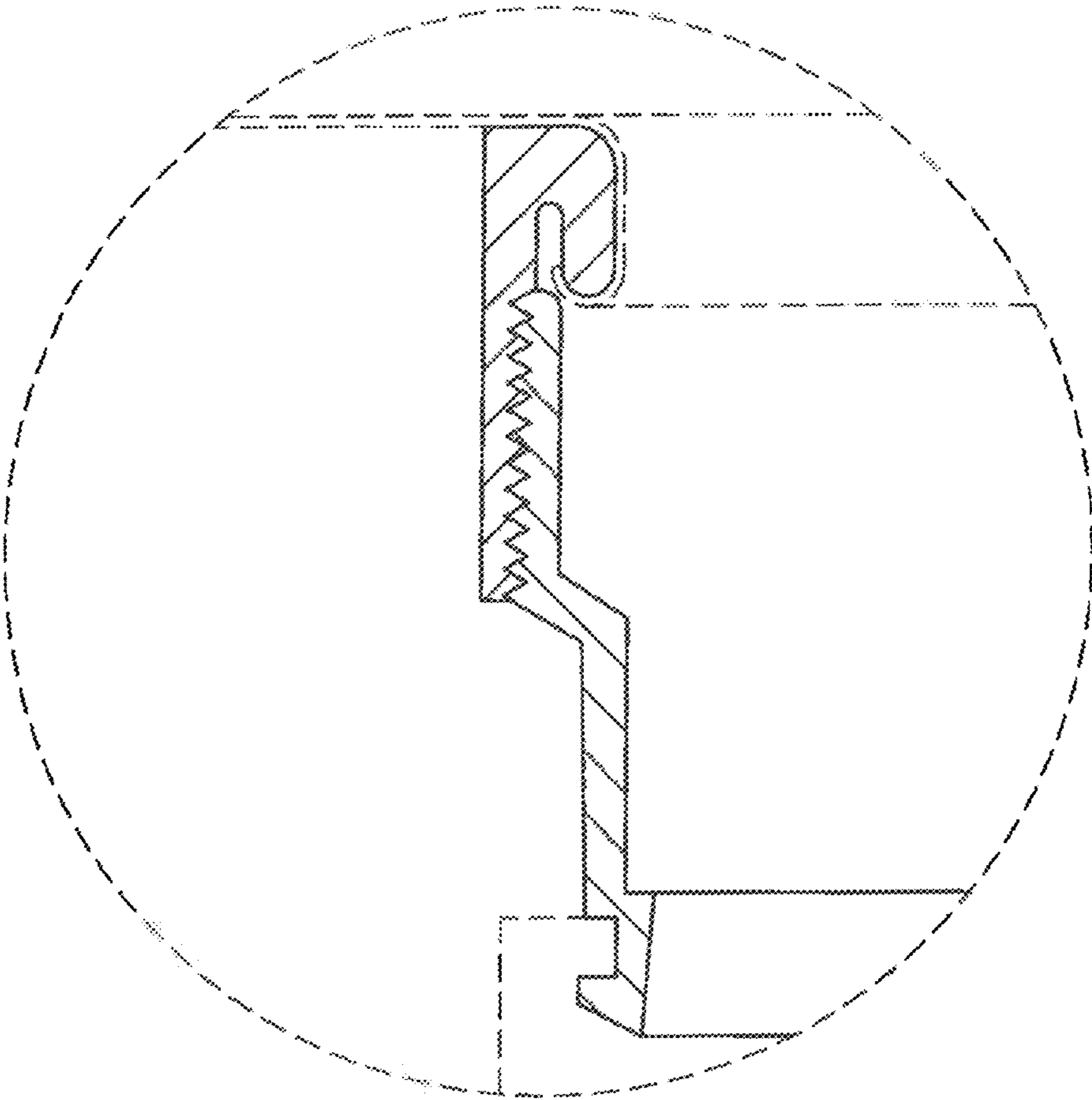


FIGURE 7