



US00D733261S

(12) **United States Design Patent**
Yamagishi et al.

(10) **Patent No.:** **US D733,261 S**
(45) **Date of Patent:** **** Jun. 30, 2015**

- (54) **TOP PLATE**
- (71) Applicant: **ASM IP Holding B.V.**, Almere (NL)
- (72) Inventors: **Takayuki Yamagishi**, Kashiwazaki (JP);
Kazuo Sato, Kawasaki (JP); **Naoto Tsuji**, Tokyo (JP)
- (73) Assignee: **ASM IP Holding B.V.**, Almere (NL)
- (**) Term: **14 Years**
- (21) Appl. No.: **29/514,153**
- (22) Filed: **Jan. 8, 2015**

D461,882 S *	8/2002	Piano	D23/304
D486,891 S *	2/2004	Cronce, Jr.	D23/260
6,688,784 B1 *	2/2004	Templeton	396/611
7,143,897 B1 *	12/2006	Guzman et al.	210/460

(Continued)

Primary Examiner — John Windmuller

Assistant Examiner — Steven Czyz

(74) *Attorney, Agent, or Firm* — Snell & Wilmer LLP

(57) **CLAIM**

The ornamental design for a top plate, as shown and described.

DESCRIPTION

FIG. 1 is a top view of a top plate of the present invention;
 FIG. 2 is a side view thereof;
 FIG. 3 is a cross-sectional side view thereof, taken along the line 9-9 of FIG. 1;
 FIG. 4 is a bottom view thereof;
 FIG. 5 is an enlarged cross-sectional side view thereof, enlarging the sections labeled FIG-5 in FIG. 3;
 FIG. 6 is an enlarged cross-sectional side view thereof, enlarging the sections labeled FIG-6 in FIG. 3;
 FIG. 7 is a top perspective view of a second embodiment of a top plate;
 FIG. 8 is a back side view thereof;
 FIG. 9 is a front side view thereof;
 FIG. 10 is a right side view thereof;
 FIG. 11 is a left side view thereof;
 FIG. 12 is a cross-sectional view thereof, taken along the line 18-18 of FIG. 7;
 FIG. 13 is a bottom view thereof;
 FIG. 14 is an enlarged cross-sectional side view thereof, enlarging the sections labeled FIG-14 in FIG. 12;
 FIG. 15 is an enlarged cross-sectional side view thereof, enlarging the sections labeled FIG-15 in FIG. 12; and,
 FIG. 16 is an enlarged cross-sectional side view thereof, enlarging the sections labeled FIG-16 in FIG. 12.

Related U.S. Application Data

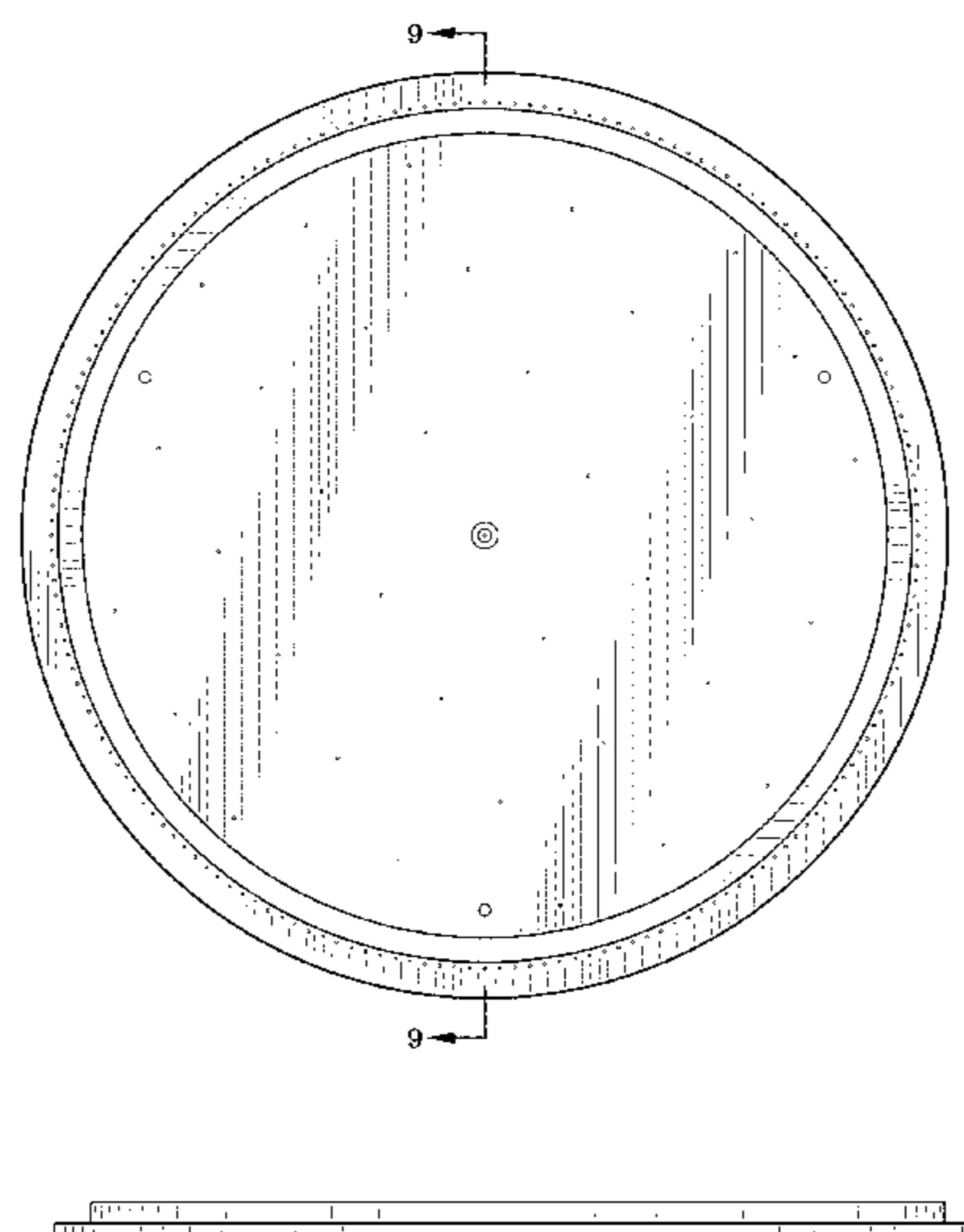
- (62) Division of application No. 29/481,315, filed on Feb. 4, 2014.
- (51) **LOC (10) Cl.** **23-01**
- (52) **U.S. Cl.**
USPC **D23/259**
- (58) **Field of Classification Search**
USPC D23/259, 260, 261, 262, 263, 264, 265,
D23/266, 267, 268, 269, 275, 283, 304;
4/596, 597, 598, 609, 612, 663;
239/548, 555, 600; 210/459, 460
CPC A47K 3/30; A47K 3/283; A47K 3/281;
A47K 3/28; B05B 1/14; B05B 1/185; B05B
15/065; B01D 29/19; A47G 21/187
See application file for complete search history.

(56) **References Cited**

U.S. PATENT DOCUMENTS

5,060,322 A *	10/1991	Delepine	4/601
D327,534 S *	6/1992	Manville et al.	D23/261
D380,527 S *	7/1997	Velez	D23/261
D419,652 S *	1/2000	Hall et al.	D23/259
D457,609 S *	5/2002	Piano	D23/304
D461,233 S *	8/2002	Whalen	D23/261

1 Claim, 8 Drawing Sheets



(56)

References Cited

U.S. PATENT DOCUMENTS

D585,968 S *	2/2009	Elkins et al.	D23/259	D653,734 S *	2/2012	Sisk	D23/269
D602,575 S *	10/2009	Breda	D23/261	8,196,234 B2 *	6/2012	Glunk	4/614
D613,829 S *	4/2010	Griffin et al.	D23/260	D665,055 S *	8/2012	Yanagisawa et al.	D23/261
D652,896 S *	1/2012	Grether	D23/249	8,307,472 B1 *	11/2012	Saxon et al.	4/597
				2005/0258280 A1 *	11/2005	Goto et al.	239/548
				2013/0292047 A1 *	11/2013	Tian et al.	156/242
				2014/0283747 A1 *	9/2014	Kasai et al.	118/723 R

* cited by examiner

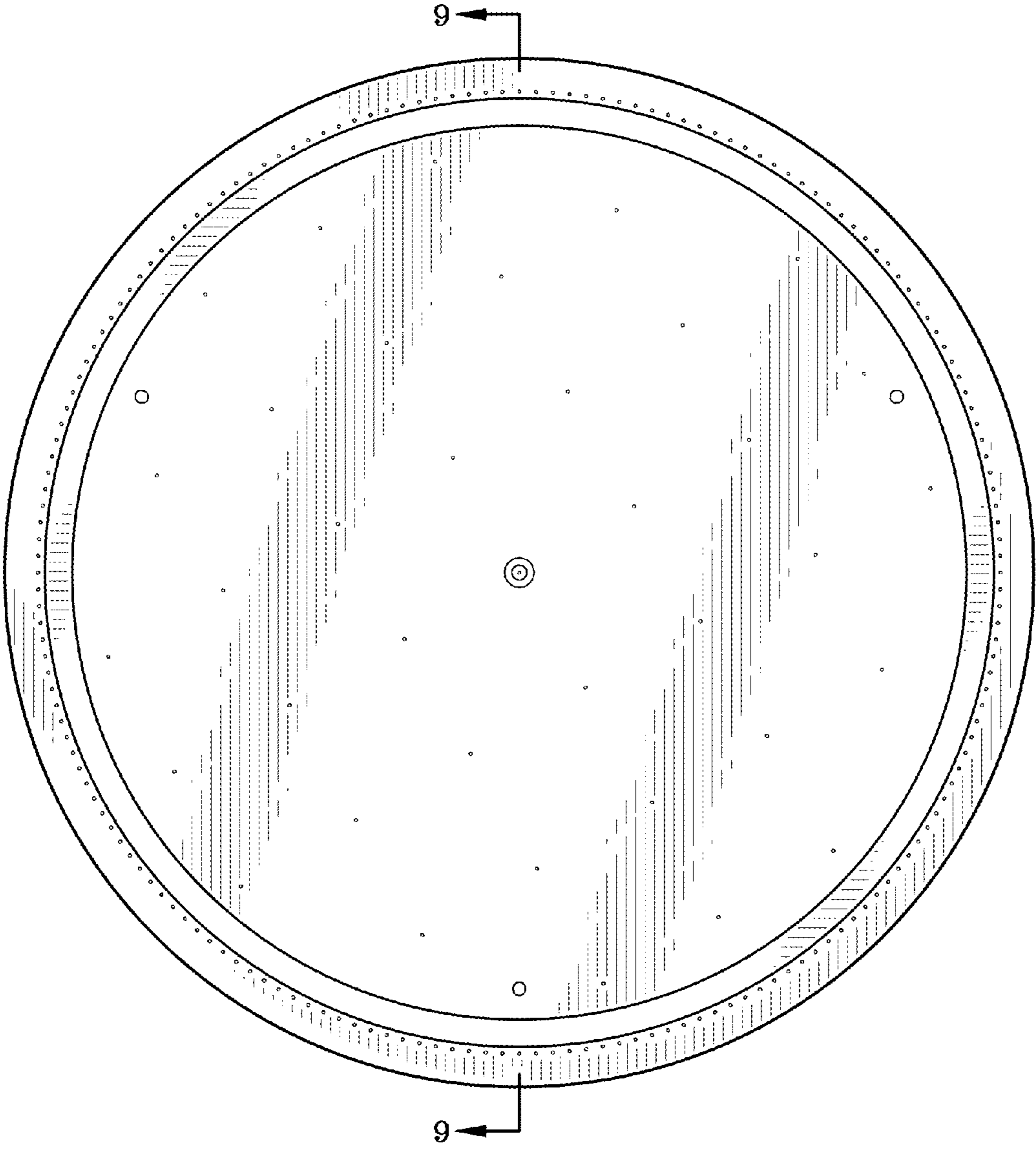


FIG. 1



FIG. 2

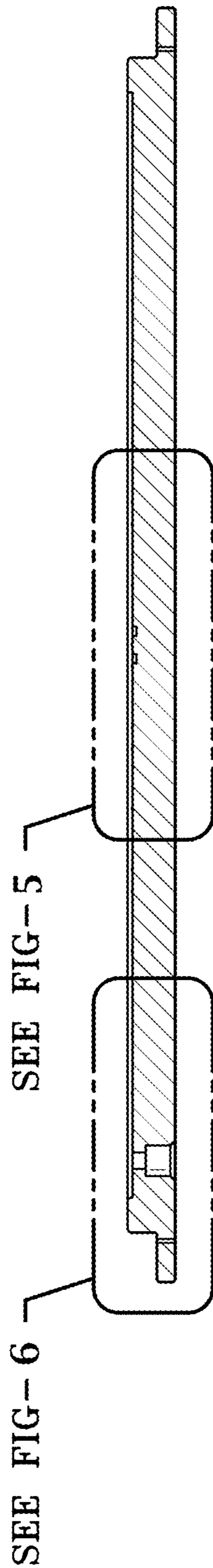


FIG. 3

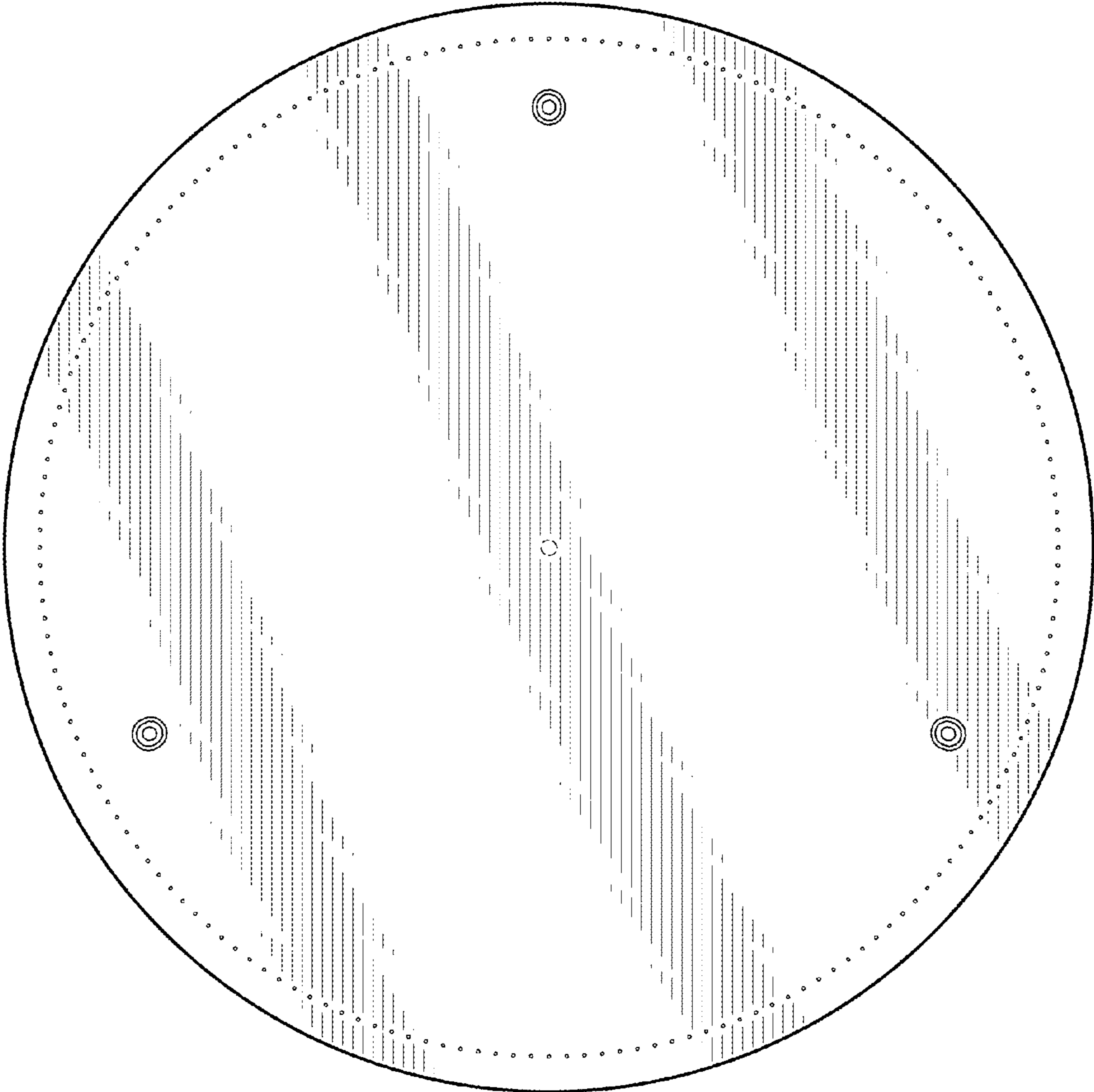


FIG. 4

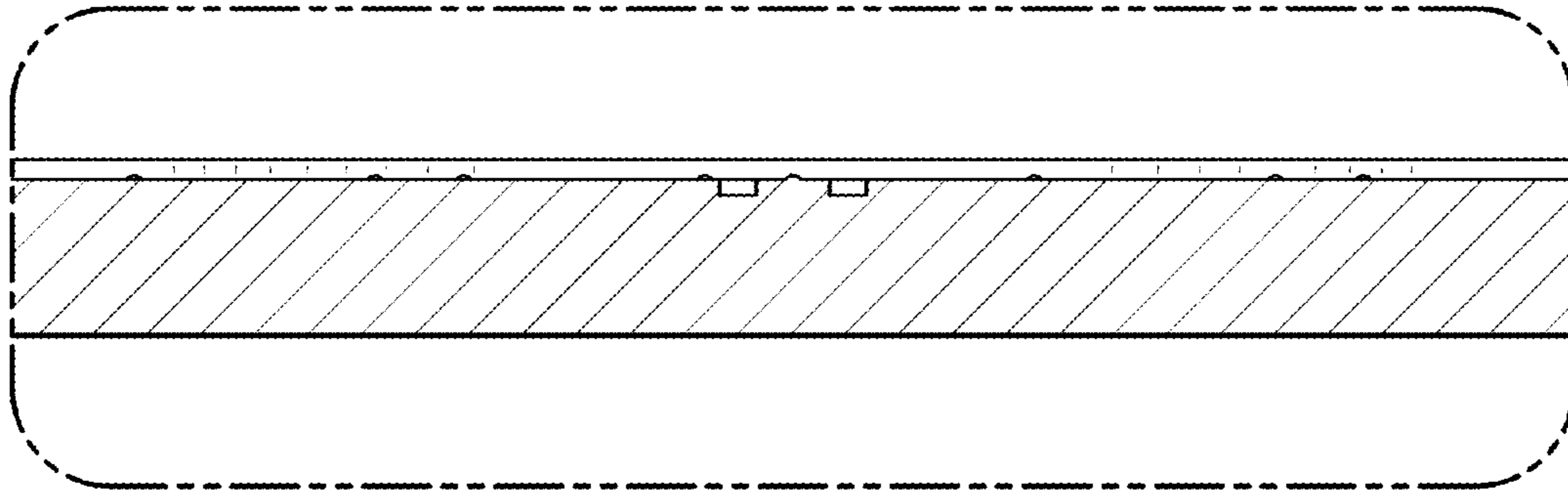


FIG. 5

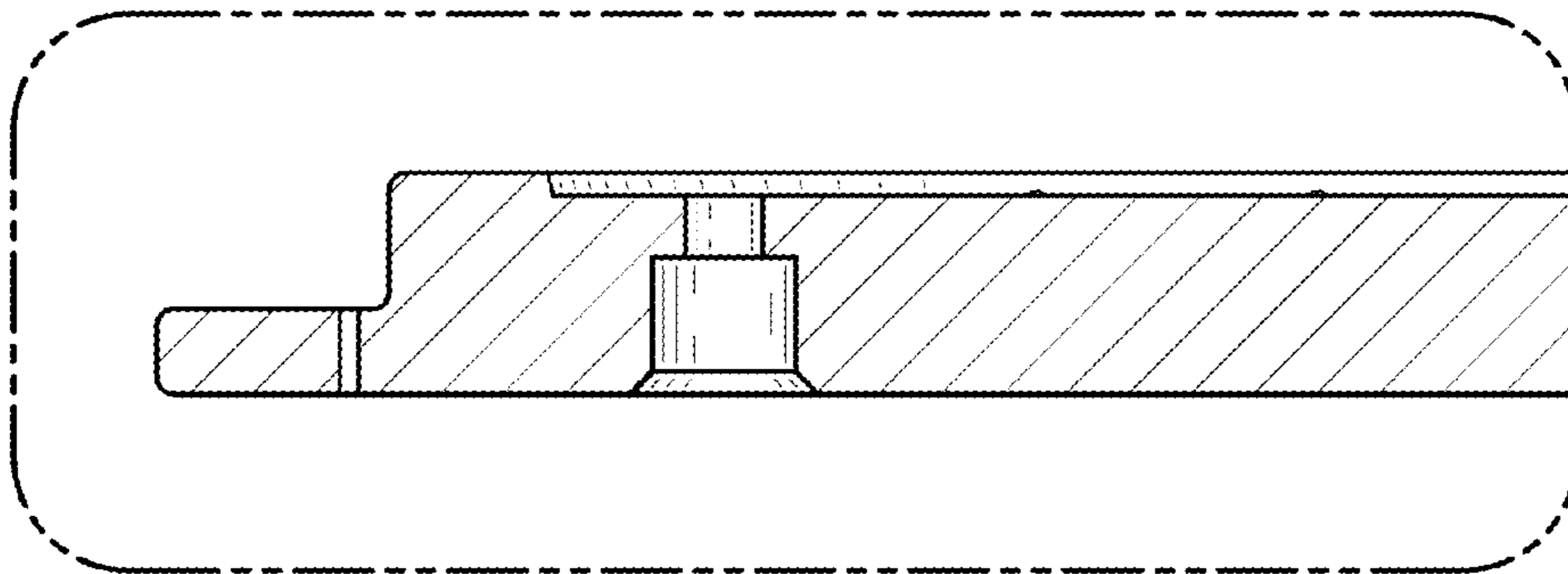


FIG. 6

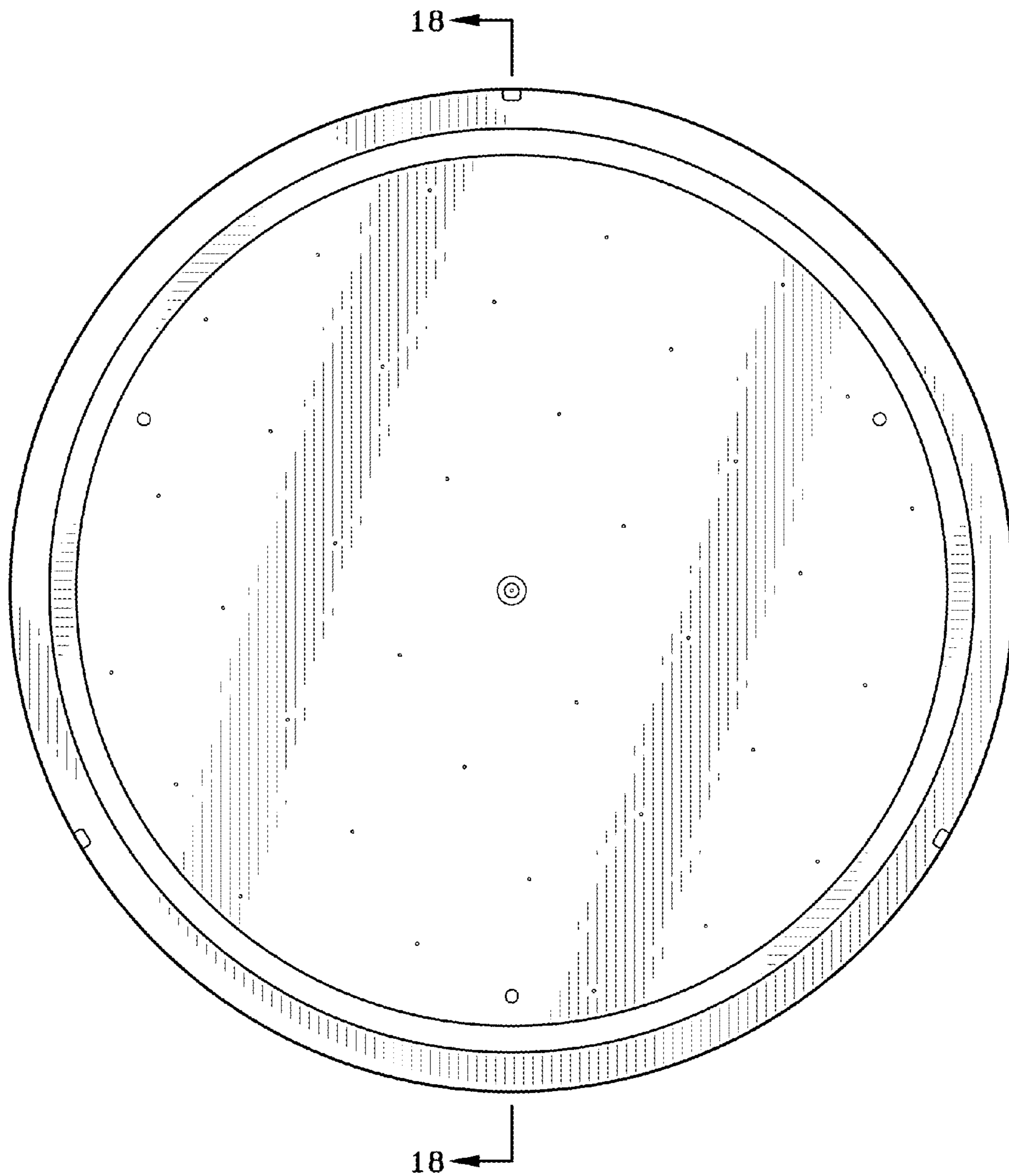


FIG. 7

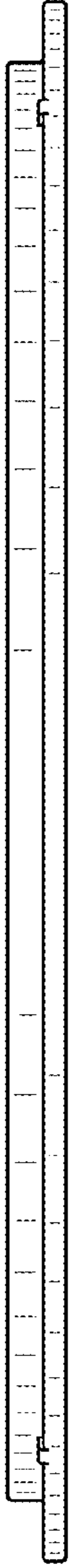


FIG. 8



FIG. 9



FIG. 10

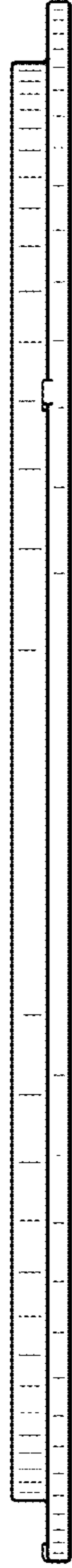


FIG. 11

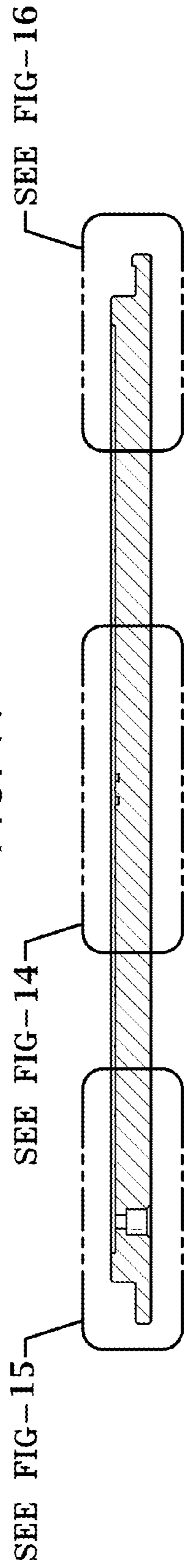


FIG. 12

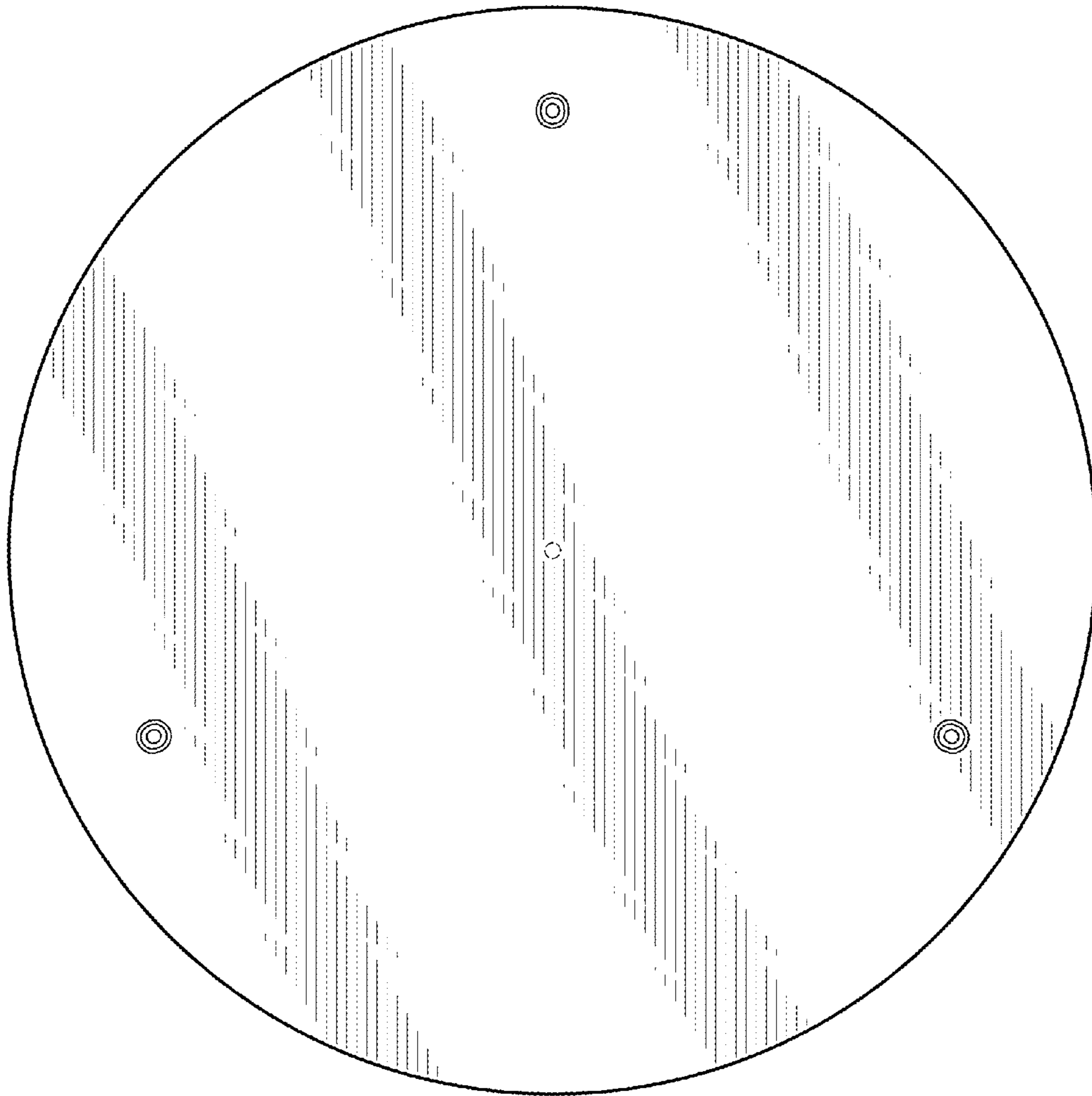


FIG. 13

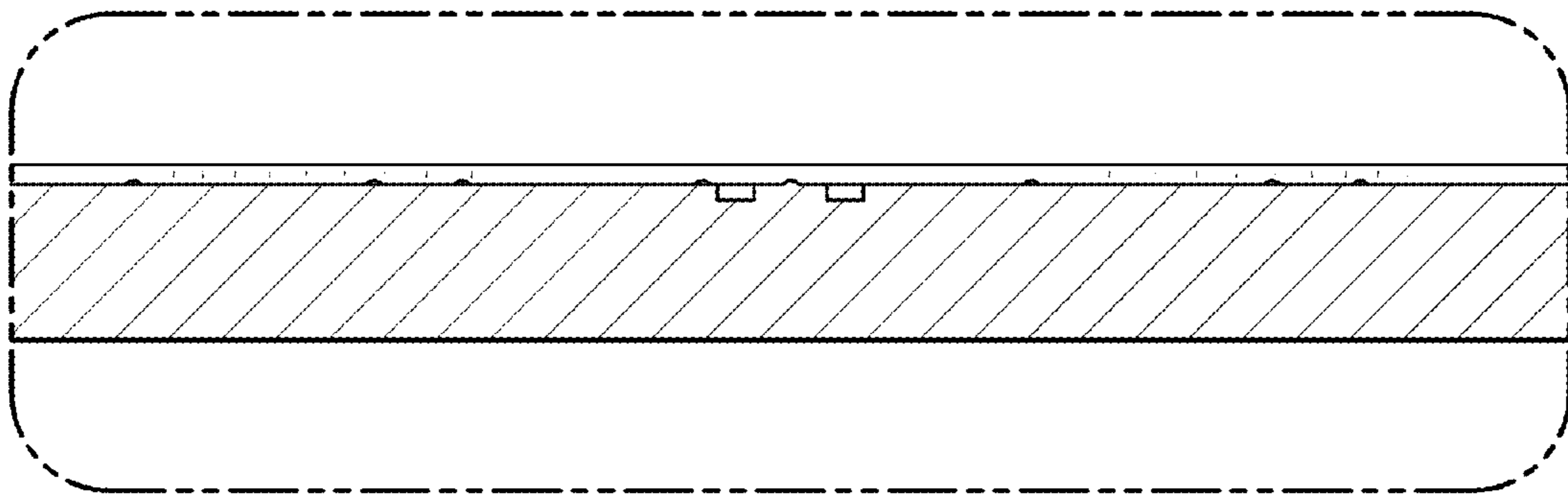


FIG. 14

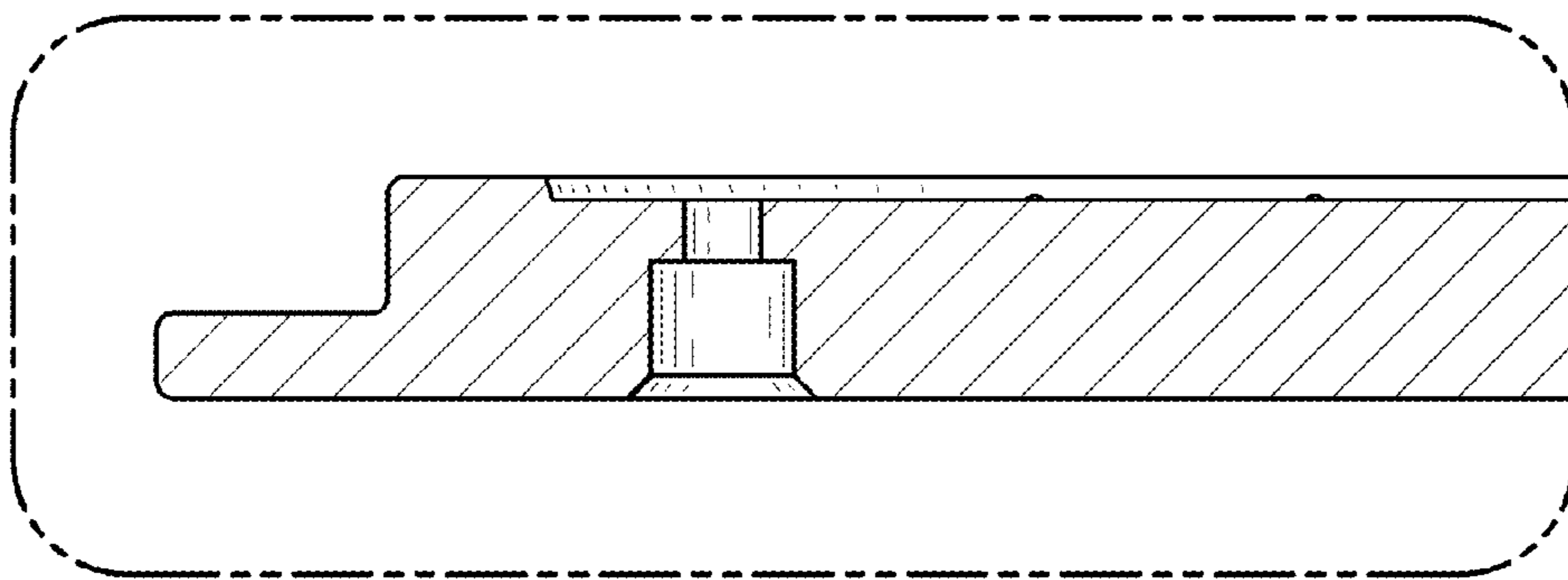


FIG. 15

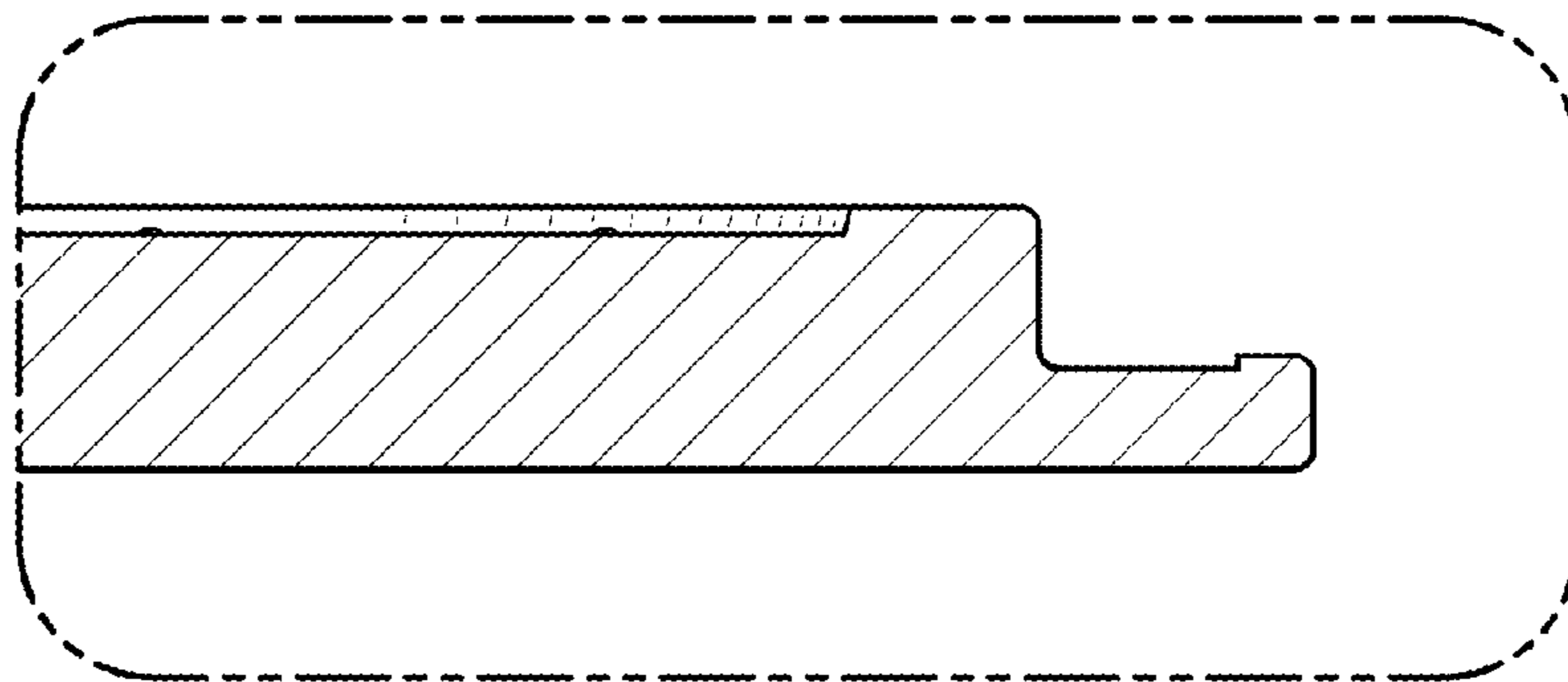


FIG. 16